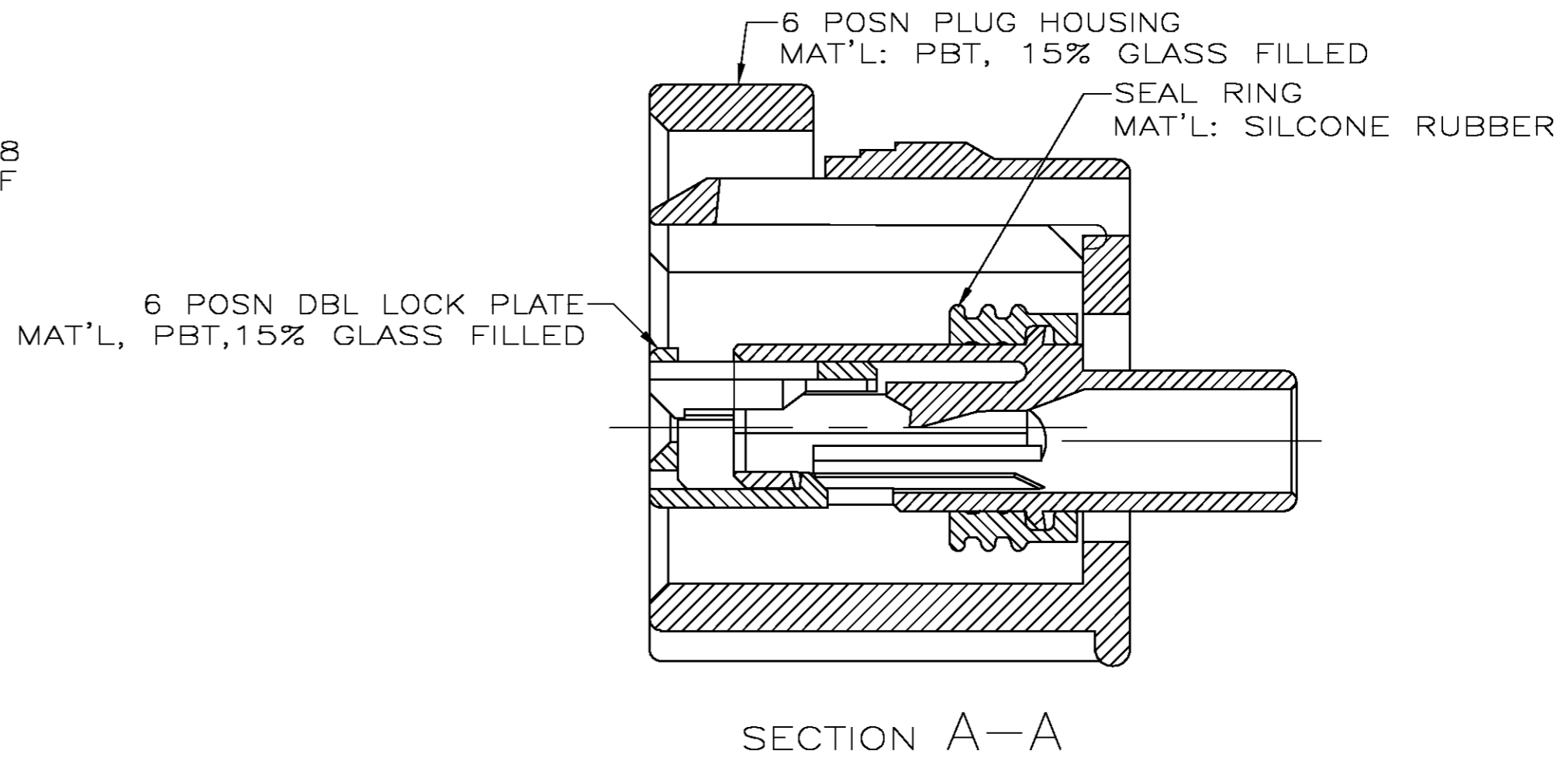
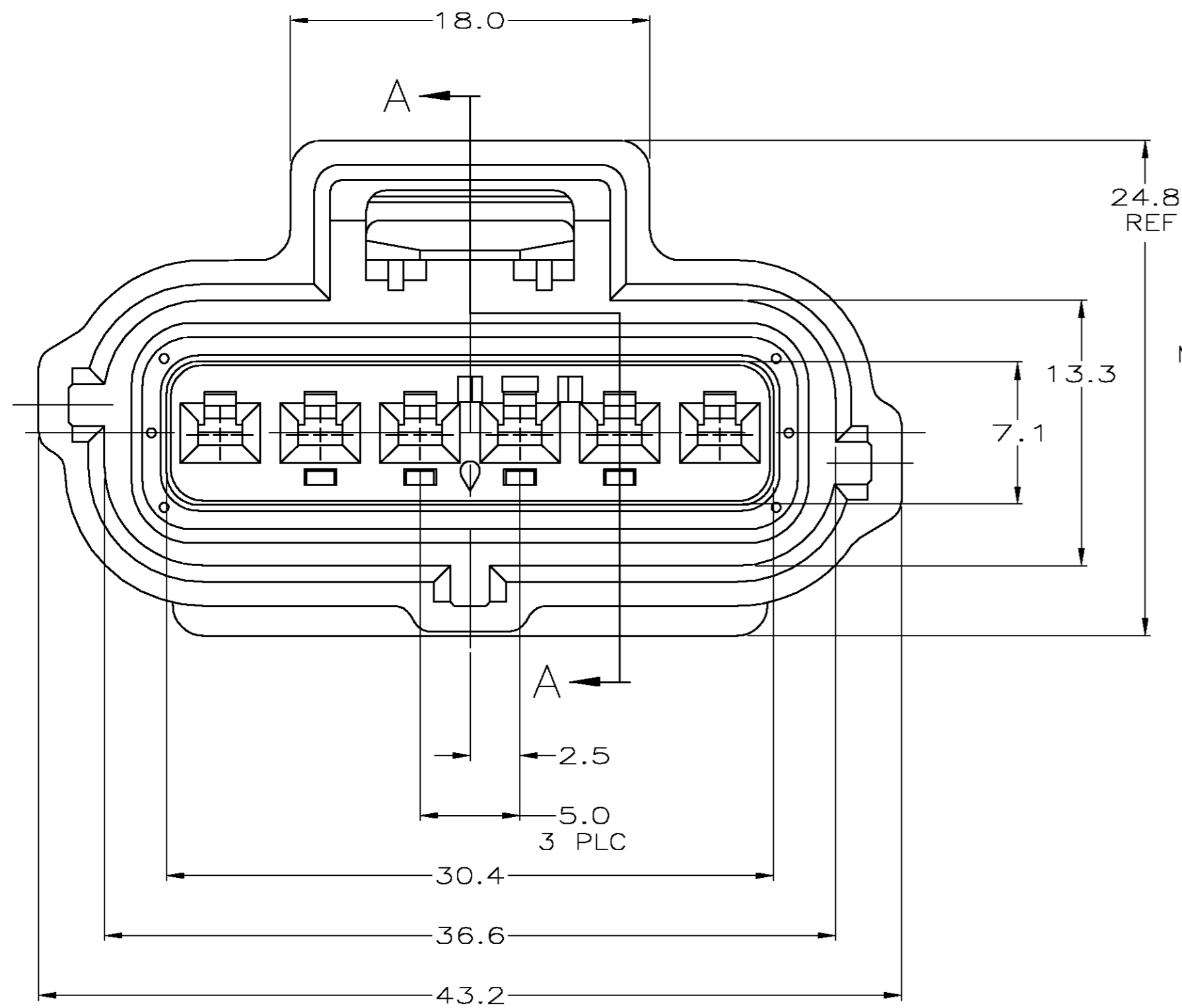
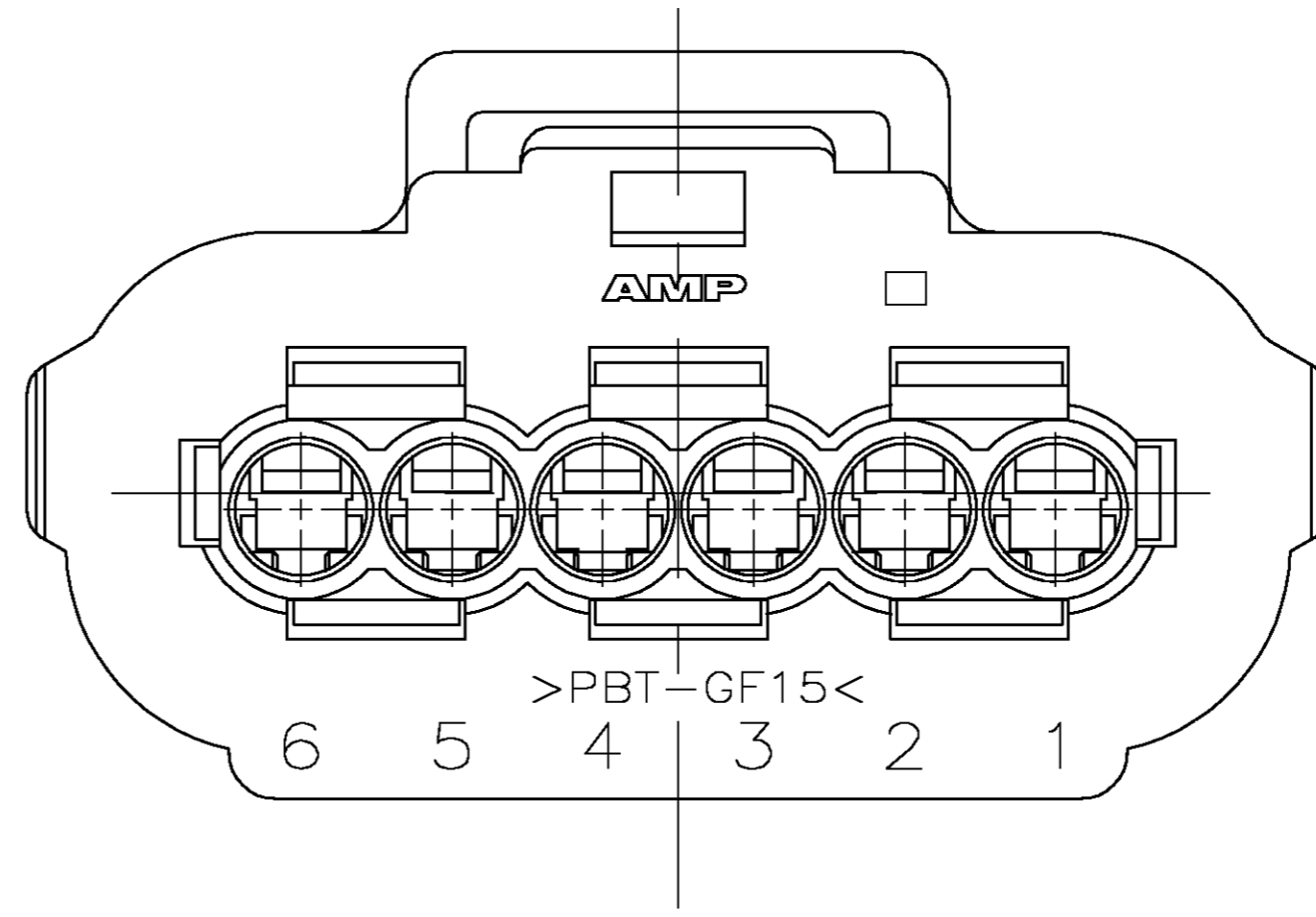
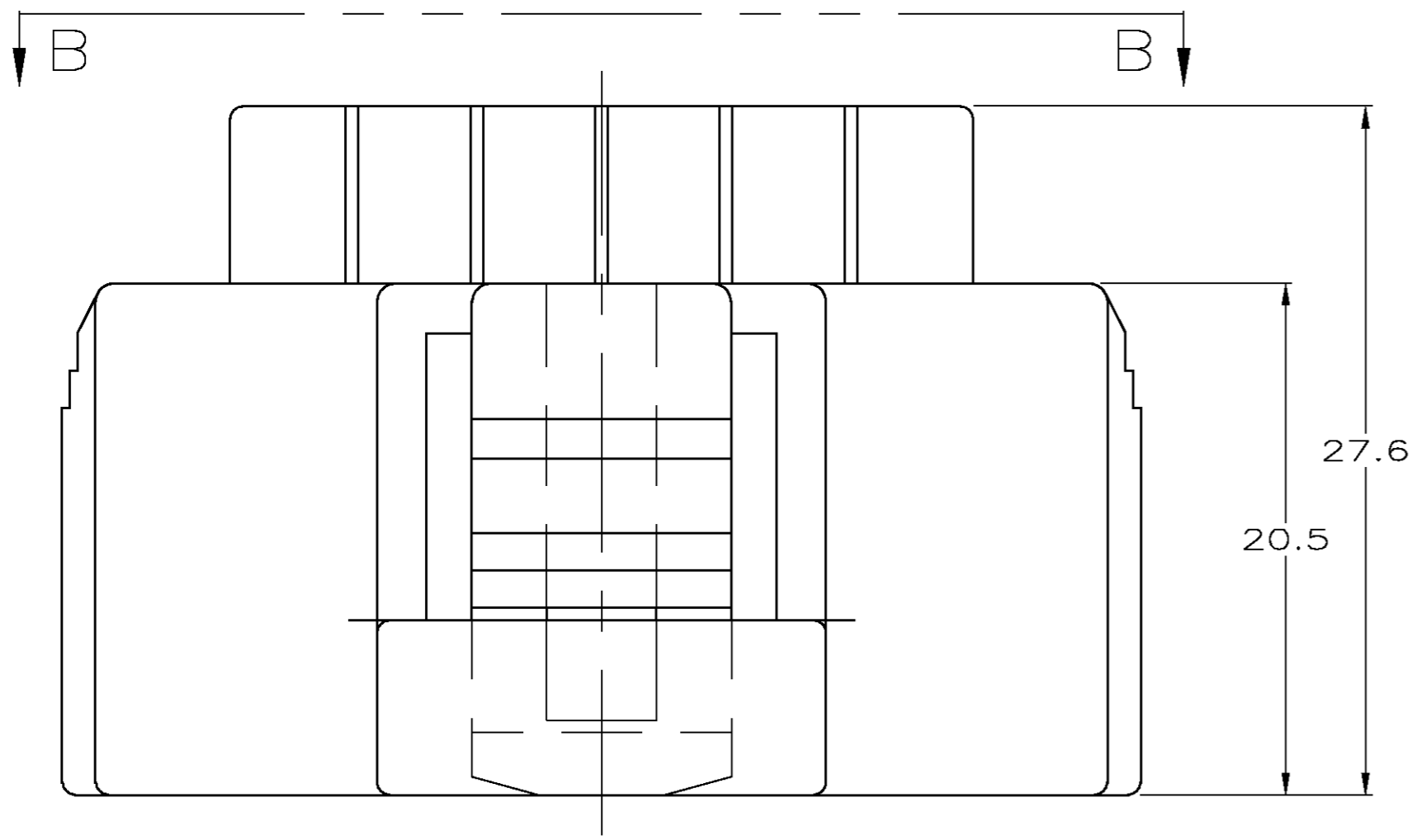


THIS DRAWING IS UNPUBLISHED. RELEASED FOR PUBLICATION
 © COPYRIGHT BY TYCO ELECTRONICS CORPORATION. ALL RIGHTS RESERVED.

| LOC | | DIST | | REVISIONS | | | |
|-----|-----|-------------|-----------------|-----------|------|-----|--|
| P | LTR | DESCRIPTION | DATE | DWN | APVD | | |
| G | 16 | B | EC 0K40-0177-04 | 12AUG04 | JRB | KLC | |



184126-1
 PART NUMBER

| | | | | | |
|--------------------------------------------------------------------------------------------|--|------------------|----------|------------------------|---------------------------------------------------------------|
| THIS DRAWING IS A CONTROLLED DOCUMENT. | | DWN | KD LYTLE | 3/29/96 | Tyco Electronics Corporation Harrisburg, Pa 17105-3608 |
| DIMENSIONS: mm | | CHK | CT HYRB | 4/4/96 | |
| TOLERANCES UNLESS OTHERWISE SPECIFIED: | | APVD | CT HYRB | 4/4/96 | |
| 0 PLC ± - 1 PLC ± - 2 PLC ± 0.3 3 PLC ± - 4 PLC ± - ANGLES ±' - FINISH - | | PRODUCT SPEC | NAME | | |
| MATERIAL | | APPLICATION SPEC | | 1 X 6 PLG ASY KEY C-C3 | |
| | | WEIGHT | - | | RESTRICTED TO |
| | | CUSTOMER DRAWING | | SCALE | 4:1 |
| | | SHEET | | 1 | OF |
| | | REV | | B | |

184126

A