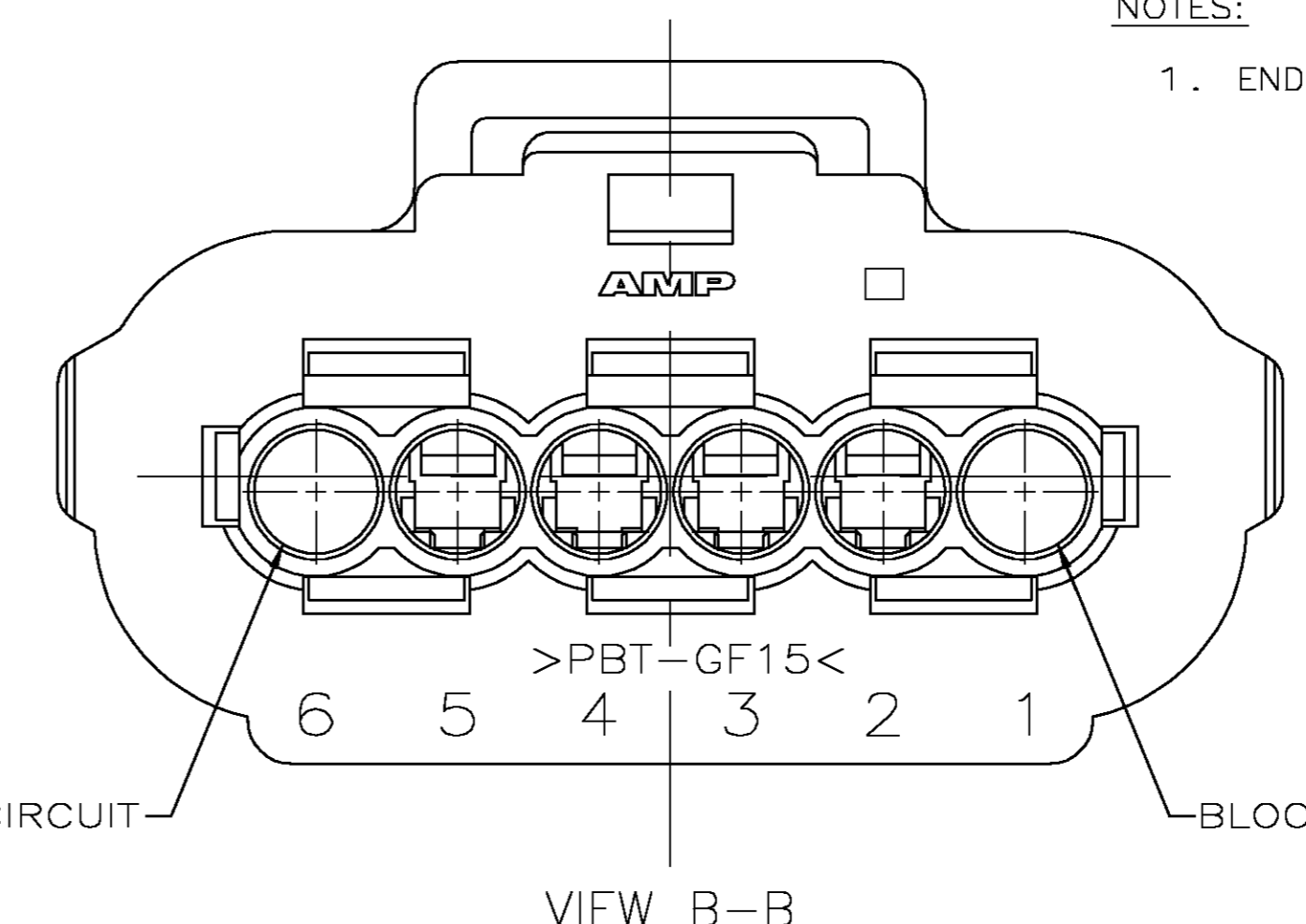
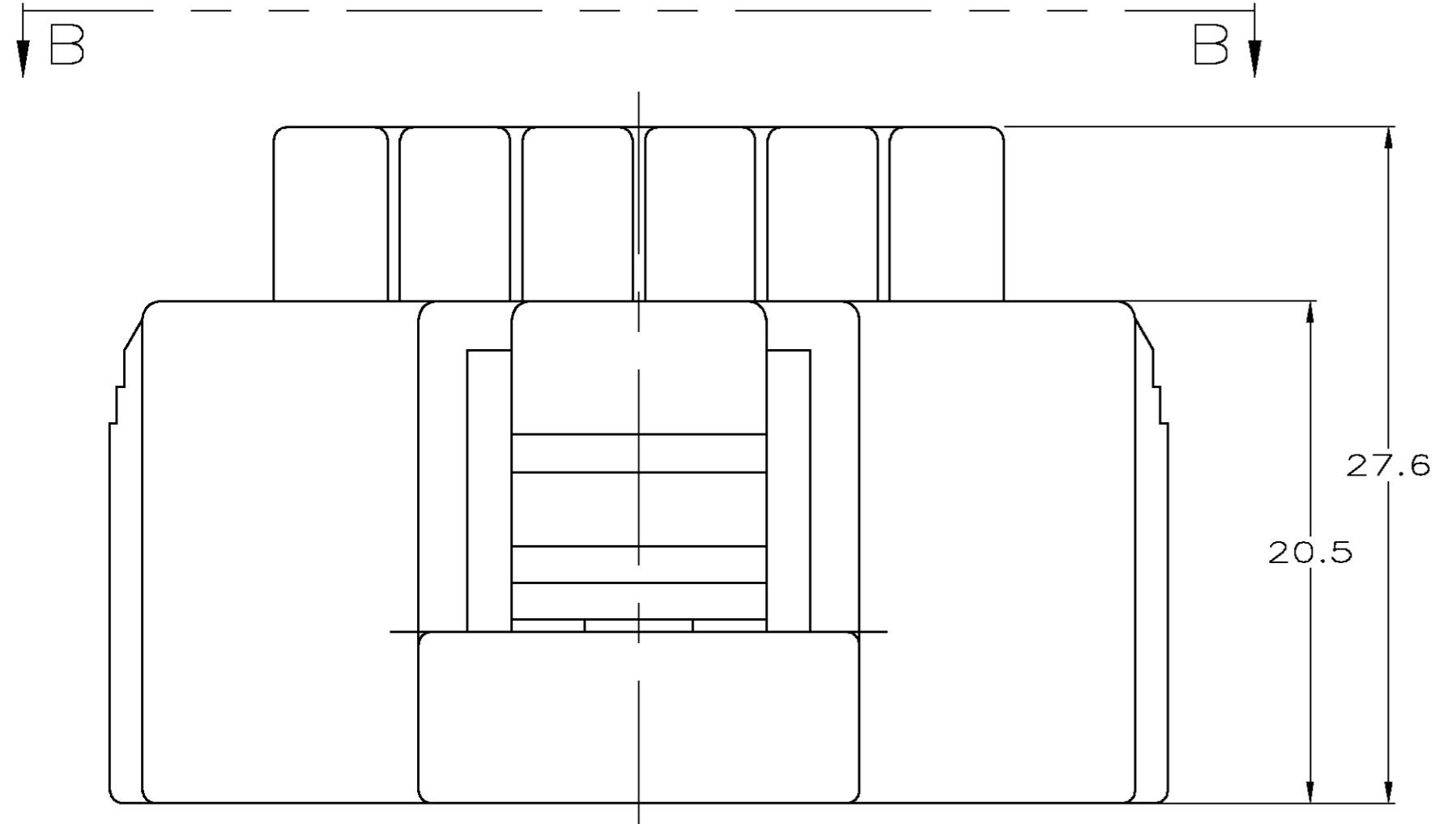
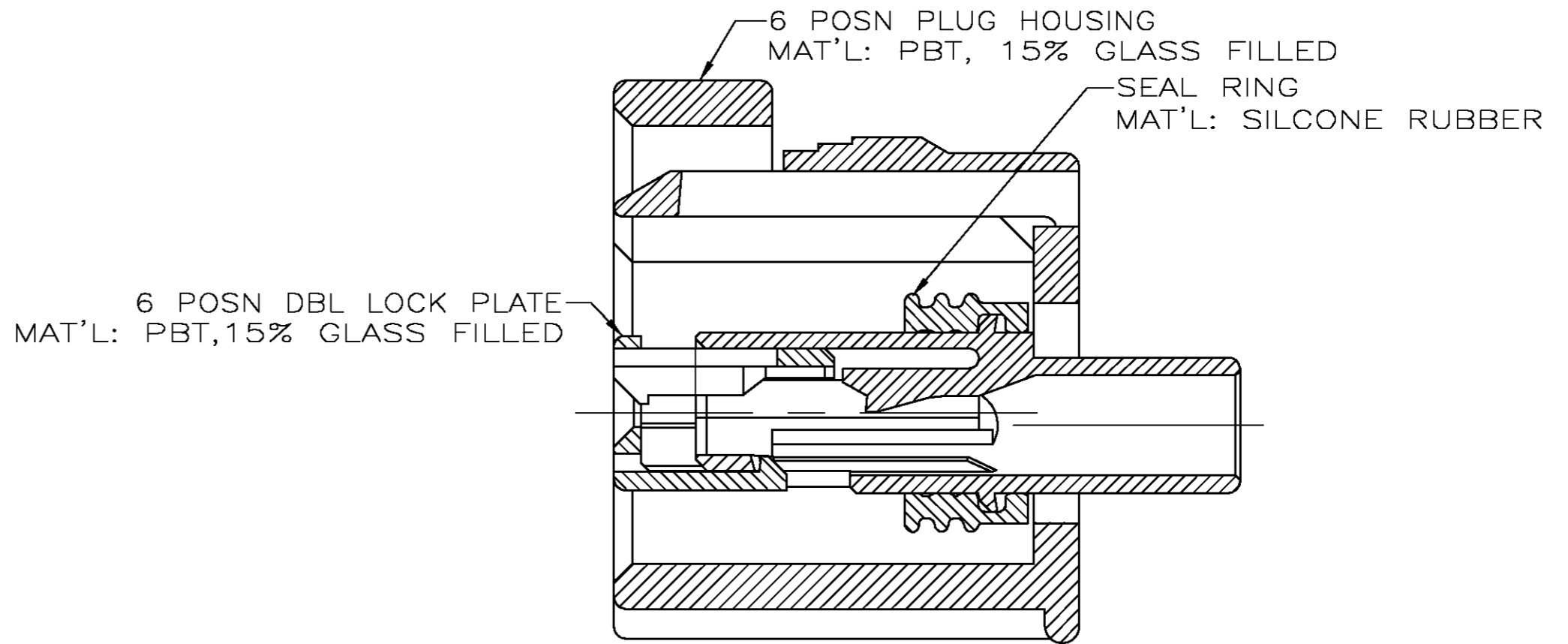
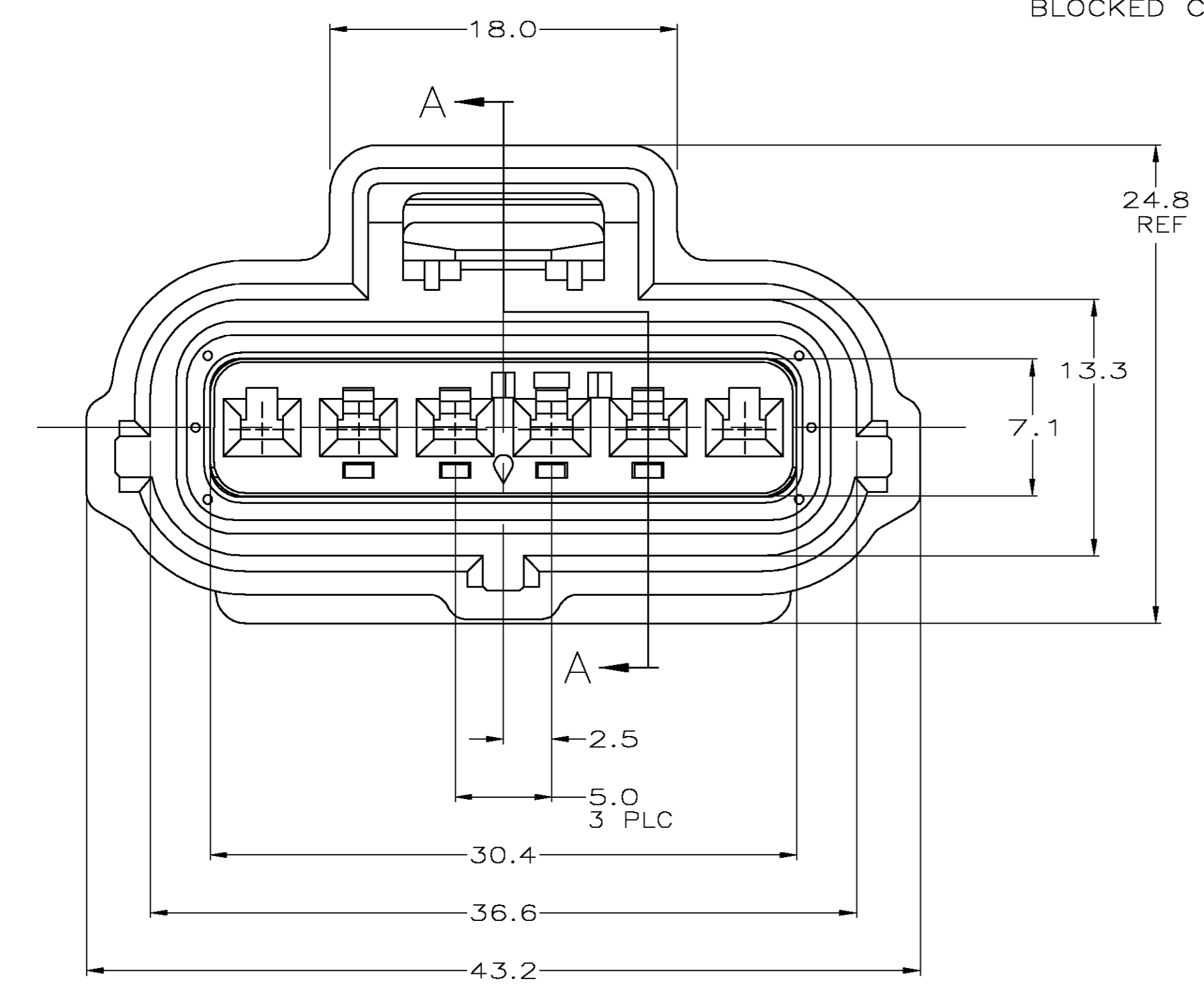


THIS DRAWING IS UNPUBLISHED. RELEASED FOR PUBLICATION
 © COPYRIGHT BY TYCO ELECTRONICS CORPORATION. ALL RIGHTS RESERVED.

LOC	DIST	REVISIONS			
P	LTR	DESCRIPTION	DATE	DWN	APVD
G	16	B	EC 0K40-0177-04	12AUG04	JRB KLC



NOTES:
 1. END CIRCUITS 1 AND 6 ARE BLOCKED.



SECTION A-A

184132-1
 PART NUMBER

THIS DRAWING IS A CONTROLLED DOCUMENT.		DWN K.WISE 04/10/96	 Tyco Electronics Corporation Harrisburg, Pa 17105-3608	NAME	
DIMENSIONS: mm		CHK C.HYRB 04/25/96		1 X 6B PLG ASY KEY B-C3	
TOLERANCES UNLESS OTHERWISE SPECIFIED:		APVD C.HYRB 04/25/96	PRODUCT SPEC	-	
0 PLC ± -		APPLICATION SPEC	-		SIZE
1 PLC ± -		WEIGHT	-		A2
2 PLC ± 0.3		CUSTOMER DRAWING	CAGE CODE	00779	DRAWING NO
3 PLC ± -		SCALE	C=184132		RESTRICTED TO
4 PLC ± -		4:1	-		-
ANGLES ±' -		SHEET	1 OF 1		REV
FINISH		-		B	