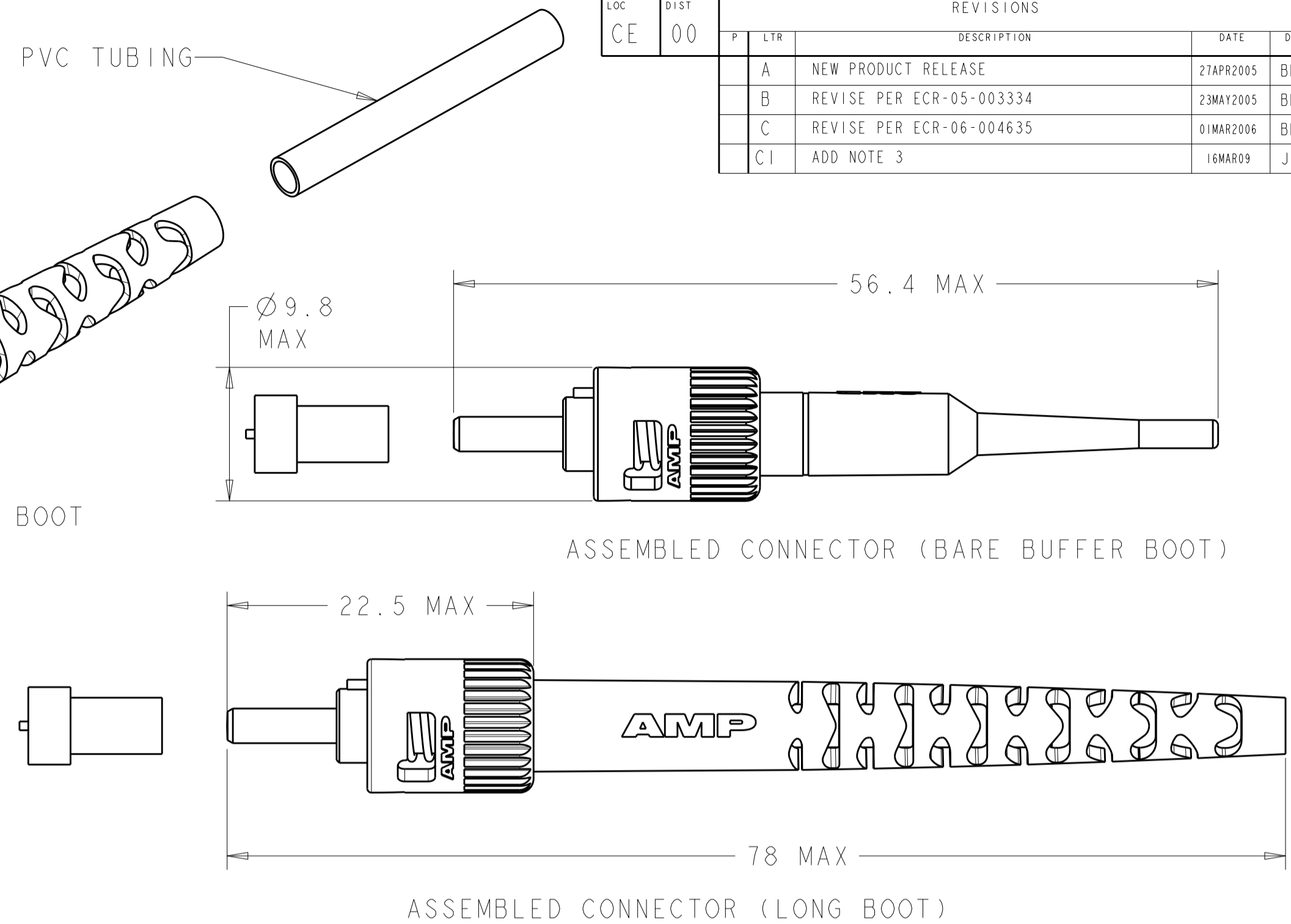
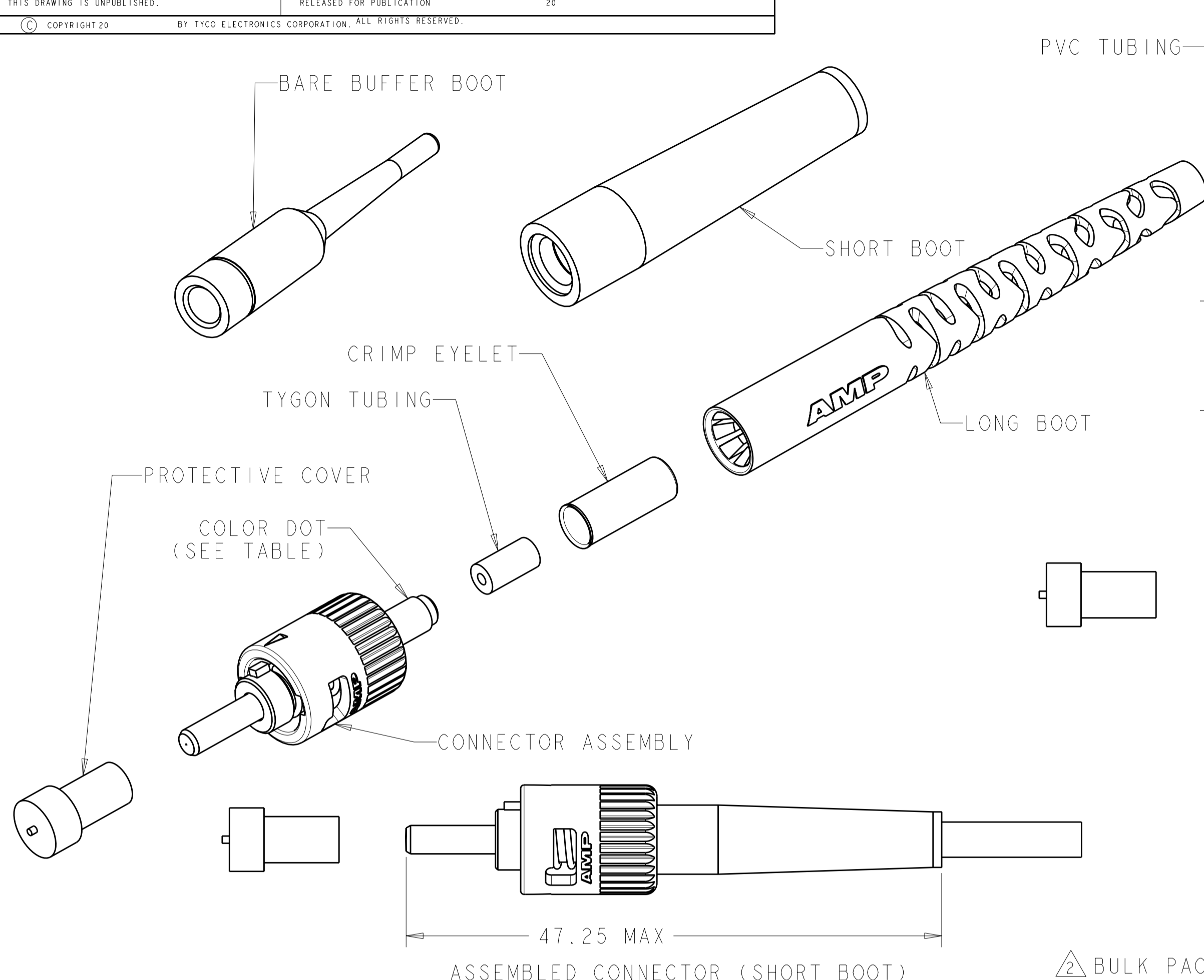


THIS DRAWING IS UNPUBLISHED. RELEASED FOR PUBLICATION 20
 © COPYRIGHT 20 BY TYCO ELECTRONICS CORPORATION. ALL RIGHTS RESERVED.

LOC	DIST	REVISIONS			
P	LTR	DESCRIPTION	DATE	DWN	APVD
CE	00	A	NEW PRODUCT RELEASE	27APR2005	BB SB
		B	REVISE PER ECR-05-003334	23MAY2005	BB SB
		C	REVISE PER ECR-06-004635	01MAR2006	BB SB
		CI	ADD NOTE 3	16MAR09	JZ RZ



2 BULK PACKAGE.

3. INSTRUCTION SHEET: 408-9971 AVAILABLE FOR DOWNLOAD AT www.tycoelectronics.com/documents OR www.ampnetconnect.com/foguide.

- 1 MATERIAL:
- PROTECTIVE COVER: LDPE, COLOR: BLACK, NON-FR.
 - CONNECTOR ASSEMBLY: FERRULE ASSEMBLY: CERAMIC/NICKEL PLATED BRASS. SPRING: STAINLESS STEEL. COUPLING NUT: ZINC. RETENTION RING: STAINLESS STEEL. CRIMP EYELET: TIN PLATED COPPER.
 - LONG BOOT: TPE, UL94 HB RATED AT QUALIFYING THICKNESS, SEE DASH NUMBER FOR COLOR.
 - SHORT BOOT: TPE, UL94 V-0 RATED AT QUALIFYING THICKNESS, SEE DASH NUMBER FOR COLOR.
 - BUFFER BOOT: TPE, UL94 V-0 RATED AT QUALIFYING THICKNESS, SEE DASH NUMBER FOR COLOR.
 - TYGON TUBING: TYGON, COLOR: CLEAR.
 - PVC TUBING: PVC, COLOR: BLACK, NON-FR.

DESCRIPTION	BOOT COLOR	COLOR DOT	FIBER SIZE	PART NUMBER
SHORT BOOT	BLACK	-	125um	2-5501380-0
SHORT BOOT	BLACK	-	125um	1-5501380-6
LONG BOOT	BLACK	GREEN	140um	5501380-6
BARE BUFFER AND LONG BOOT	BLACK	-	125um	5501380-1

<small>THIS DRAWING IS A CONTROLLED DOCUMENT FOR TYCO ELECTRONICS CORPORATION. IT IS SUBJECT TO CHANGE AND THE CONTROLLING ENGINEERING ORGANIZATION SHOULD BE CONTACTED FOR THE LATEST REVISION.</small>		DWN B. BRIGGS 27APR2005 CHK S. BUCHTER 27APR2005 APVD S. BUCHTER 27APR2005	Tyco Electronics Corporation Shanghai, China
DIMENSIONS: mm 	TOLERANCES UNLESS OTHERWISE SPECIFIED: 0 PLC ± 1 PLC ± 2 PLC ± 3 PLC ± 4 PLC ± ANGLES ± FINISH	PRODUCT SPEC APPLICATION SPEC WEIGHT	NAME: CONNECTOR KIT, 2.5mm BAYONET SIZE: A200779 CAGE CODE: C-5501380 DRAWING NO: 5501380 RESTRICTED TO:
MATERIAL: 1		CUSTOMER DRAWING	
		SCALE: 3:1	SHEET 1 OF 1 REV: CI