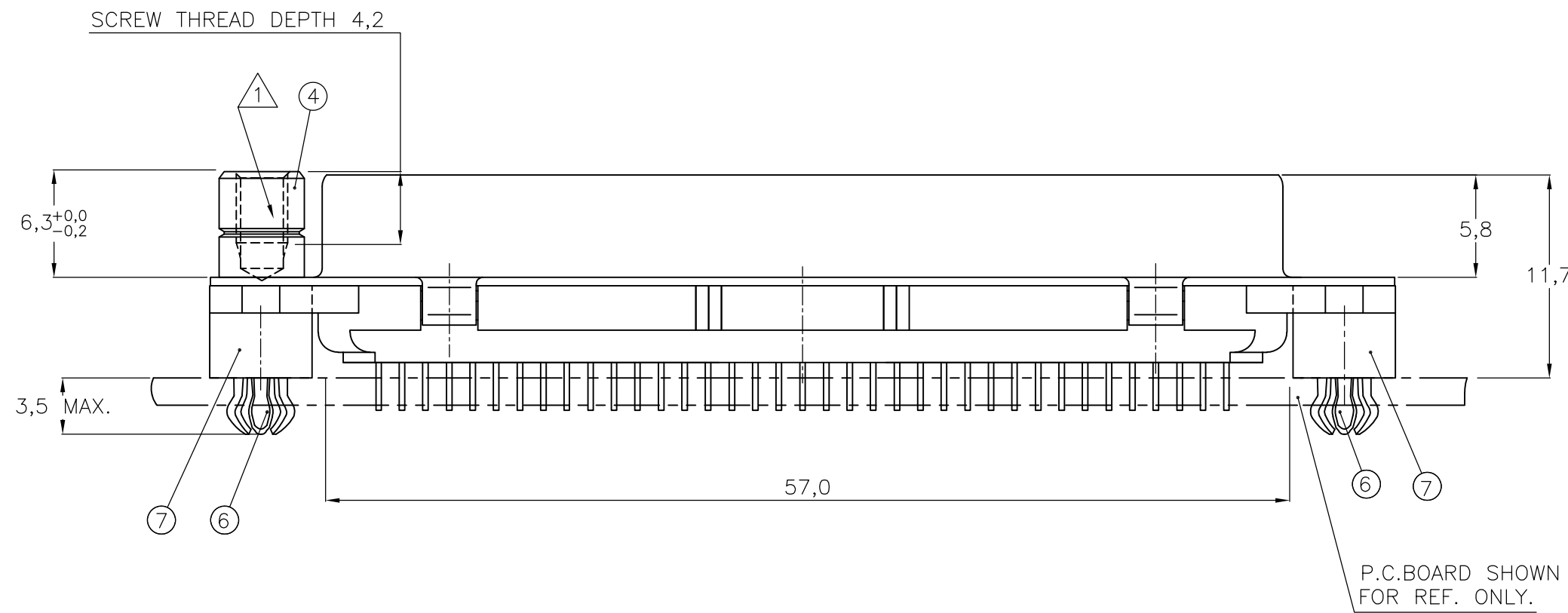
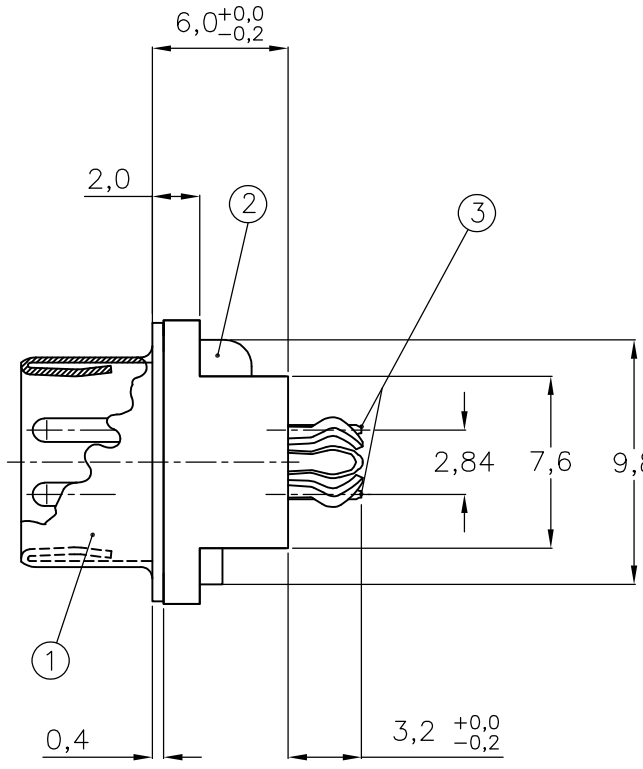
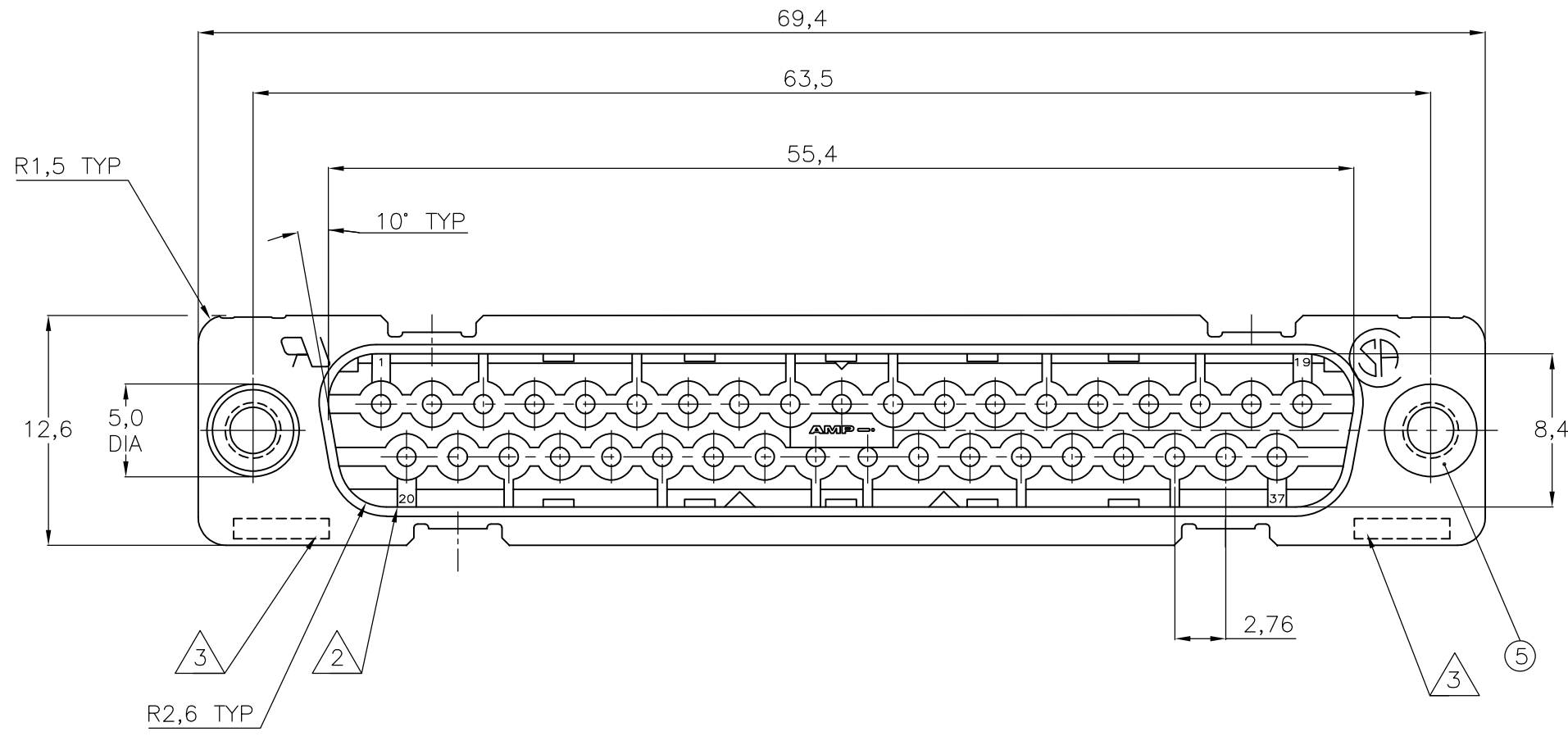
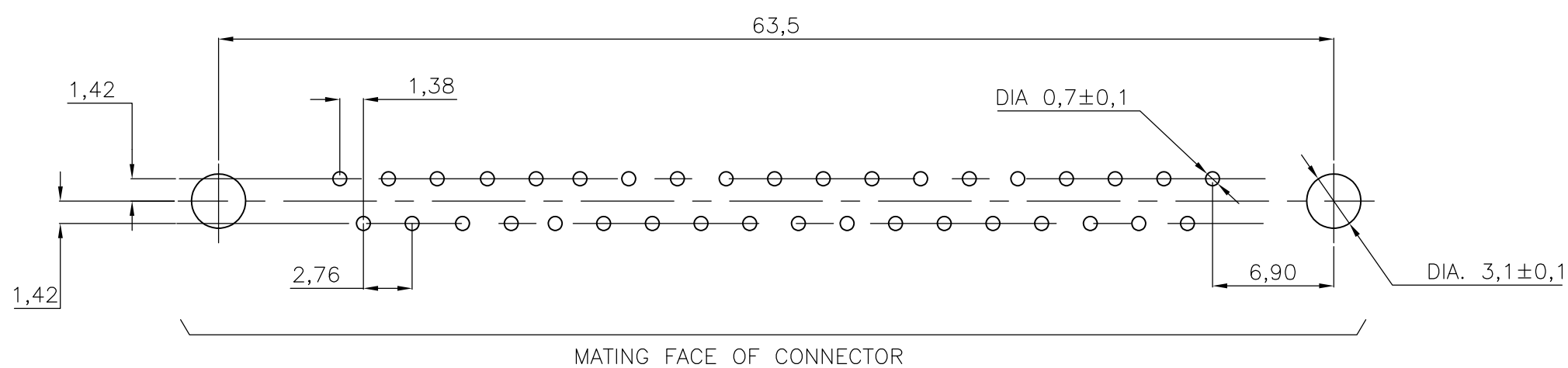


THIS DRAWING IS UNPUBLISHED. RELEASED FOR PUBLICATION  
 © COPYRIGHT BY TYCO ELECTRONICS CORPORATION. ALL INTERNATIONAL RIGHTS RESERVED.

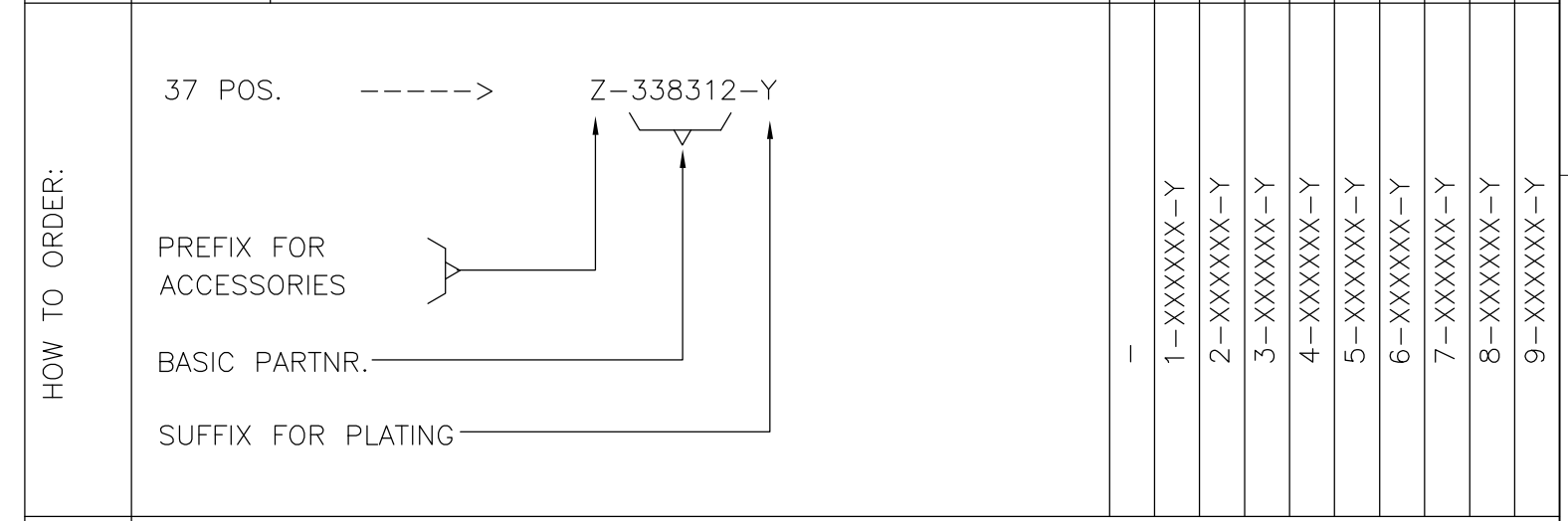
LOC	DIST	REVISIONS					
		P	LTR	DESCRIPTION	DATE	DWN	APVD
H	-		E	ECR-06-011911	22-05-06	BSV	DC
			F	ECR-06-016183	10-07-06	BSV	MK
			F1	ECR-08-018358	26-07-08	BSV	MK



RECOMMENDED P.C. BOARD HOLE-LAYOUT



ACCESSORIES PREFIX "Z"	ITEM NR.	DESCRIPTION OF ACCESSORY	1	2	3	4	5	6	7	8	9
5	BUSHING WITH THROUGH HOLE 3,1 DIA.										
5	BUSHING WITH THREAD 4-40 UNC		2							2	
5	BUSHING WITH THREAD M3			2							2
4	FEMALE SCREWLOCK WITH THREAD 4-40 UNC				2						2
4	FEMALE SCREWLOCK WITH THREAD M3					2					2
6	BOARDLOCK		2	2	2	2					



PLATING SUFFIX "Y"

GOLD OVER NICKEL AS PER PERFORMANCE LEVEL 2 (DIN 41652)  
 SOLDERPART: TIN-PLATING 3 µm

-Y = -2

- ① GROOVE INDICATES VERSION WITH 4-40 UNC INNER THREAD; WITHOUT GROOVE INDICATES VERSION WITH M3 INNER THREAD.
- ② CAVITY IDENTIFICATION AT FRONT SIDE ONLY.
- ③ PARTNUMBER AND DATE CODE.
- 4 WHEN BOARDLOCKS ARE USED, CONNECTOR CAN BE USED FOR PCB THICKNESS OF 1,6 mm ONLY.
- 5 SHELL HAS 2x12 GROUNDING SPRINGS; PITCH IS 3,6 mm
- 6 AIR AND CREEPAGE DISTANCES ACCORDING TO DIN41652

- ITEM NRS./MATERIAL :
- ① SHELL : BRIGHT TINPLATED STEEL
  - ② HOUSING : GLASSFILLED POLYESTER, COLOR : BLACK
  - ③ CONTACTS : PHOSPHORBRONZE (PLATING : SEE TABLE ABOVE)
  - ④ FEMALE SCREWLOCK : TINPLATED STEEL (INNER THREAD 4-40 UNC OR M3)
  - ⑤ BUSHING : TINPLATED STEEL (INNER THREAD 4-40 UNC OR M3 OR 3,1 DIA. THROUGH HOLE)
  - ⑥ BOARDLOCK : TINPLATED PHOSPHORBRONZE
  - ⑦ STAND-OFF : ULTRAMID V0 COLOR : BLACK

THIS DRAWING IS A CONTROLLED DOCUMENT.

DWN	J.V.LIEMPT	03JUL97	Tyco Electronics Corporation 's-Hertogenbosch, Nederland
CHK	C.SOUISA	09SEP97	
APVD	E.LEIJTENS	09SEP97	
PRODUCT SPEC			
DIMENSIONS: mm TOLERANCES UNLESS OTHERWISE SPECIFIED: 0 PLC ± - 1 PLC ± - 2 PLC ± - 3 PLC ± - 4 PLC ± - ANGLES ± - FINISH -			NAME HDP-20 SIZE 4 VERTICAL+ PLUG HEADER; WITH SOLDER CONTACTS
MATERIAL			SIZE A2 CAGE CODE 00779 DRAWING NO. C=338312 RESTRICTED TO -
CUSTOMER DRAWING			SCALE NTS SHEET 1 of 1 REV F1