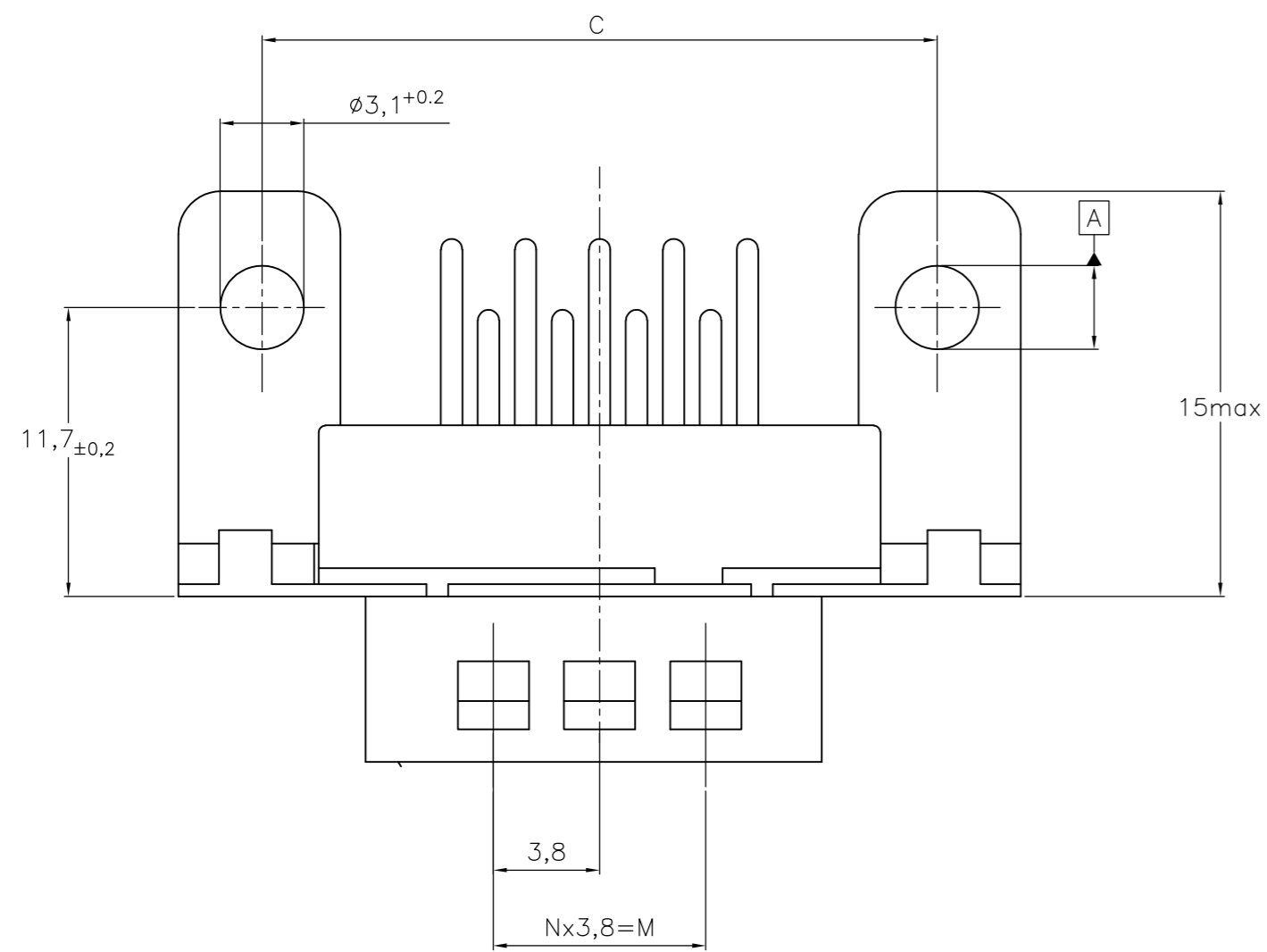
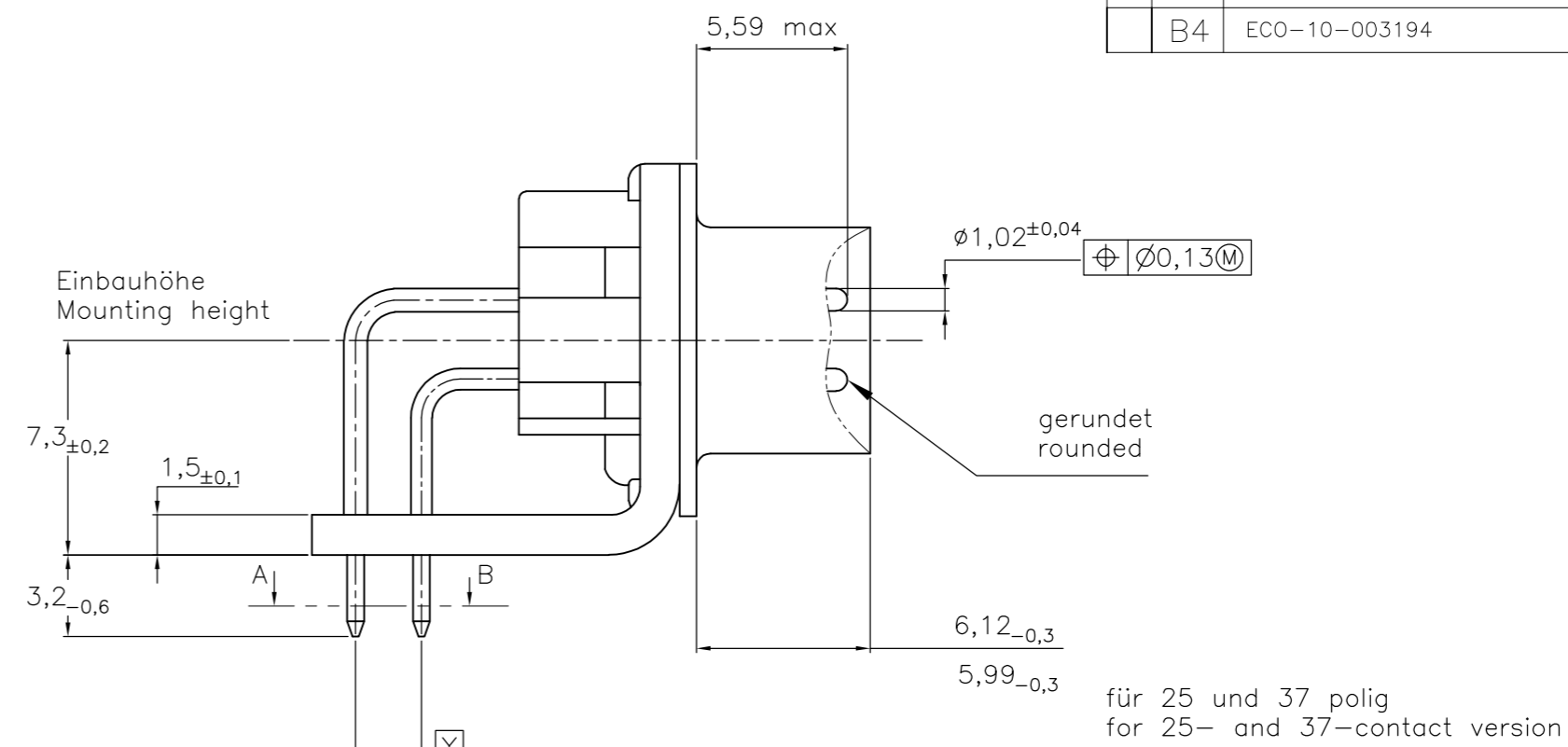
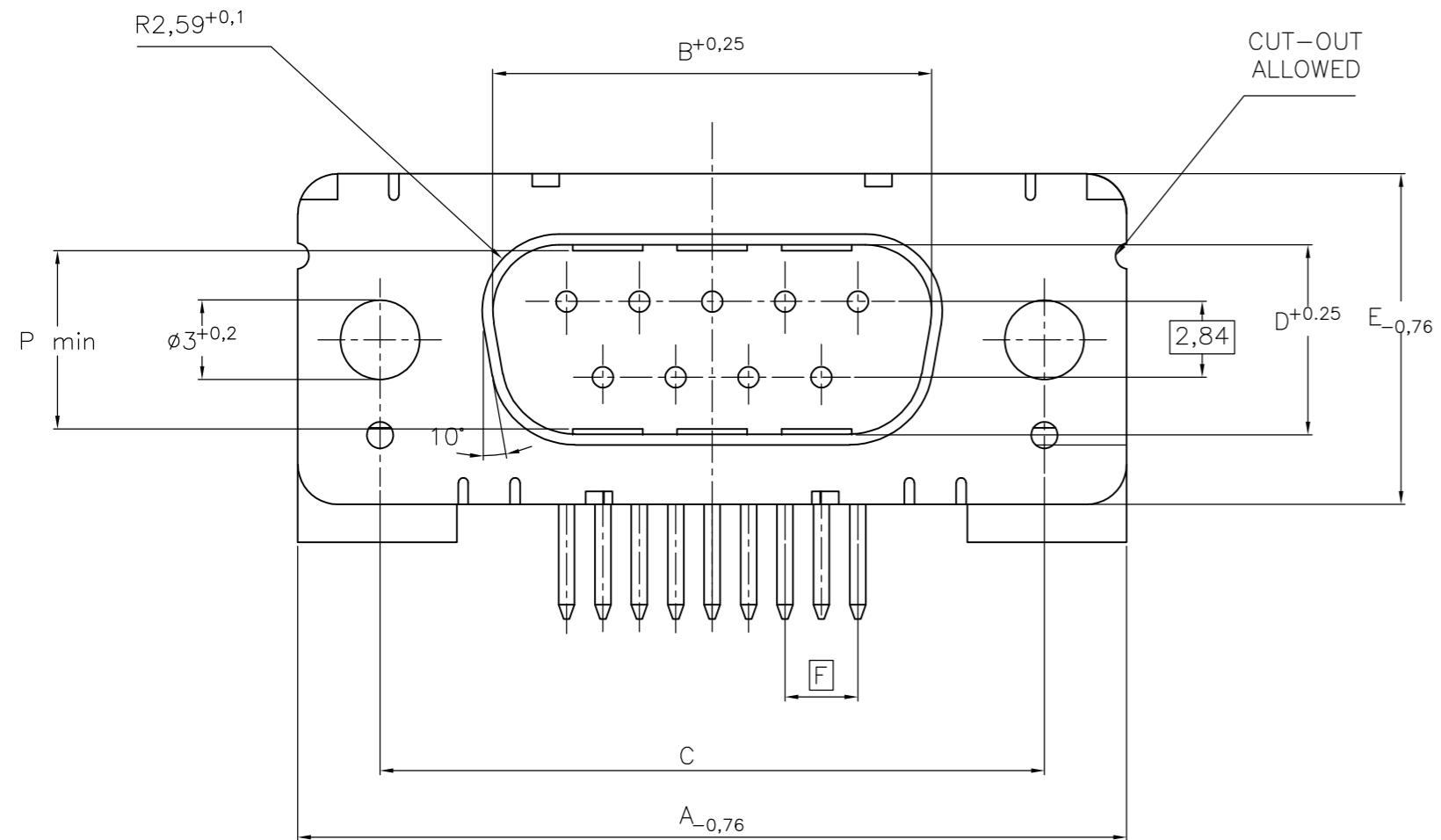


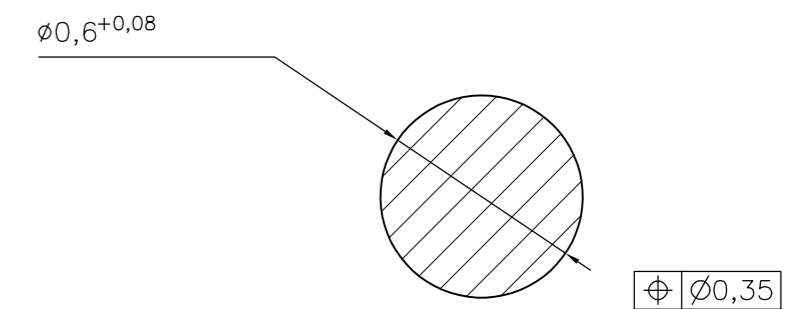
THIS DRAWING IS UNPUBLISHED. RELEASED FOR PUBLICATION
 © COPYRIGHT BY TYCO ELECTRONICS CORPORATION. ALL INTERNATIONAL RIGHTS RESERVED.

LOC	DIST	REVISIONS					
GW	-	P	LTR	DESCRIPTION	DATE	DWN	APVD
		B1		EHC0-0362-04	25JUN04	-	JvdH
		B2		EH10-0351-05	14APR05	-	JvdH
		B3		ECR-09-020069	07JAN10	AEG	KMA
		B4		ECO-10-003194	16FEB10	KK	HMR

Standardausführung: V23529-A₁1x1-Cxxx-+
 Standardversion



Schnitt AB des Lötanschlusses
 Cross-section AB of solderpin
 (20:1)



Ordercode Sachnr V23529-Axxxx	Contacts Polzahl	Mass/Dimension									
		A	B	C	D	E	F	M	N	P	
..-Cx09-+	09	31,19	16,79	25,0 ^{+0,12} _{-0,13}	8,23	12,93	2,74	7,6	2	7,72	
..-Cx15-+	15	39,52	25,12	33,3 ^{+0,15} _{-0,1}			2,74	15,2	4	7,69	
..-Cx25-+	25	53,42	38,84	47,04 ^{+0,13} _{-0,13}			2,76	26,6	7	7,65	
..-Cx37-+	37	69,7	55,30	63,5 ^{+0,13} _{-0,13}			2,76	41,8	11	7,65	

Anforderungsstufe/Performance level 1)

OLD PN: V23529-A****-C***-*-7427

1) nach DIN 41652 T.2 und T.4
 according to DIN 41652 p.2 and p.4

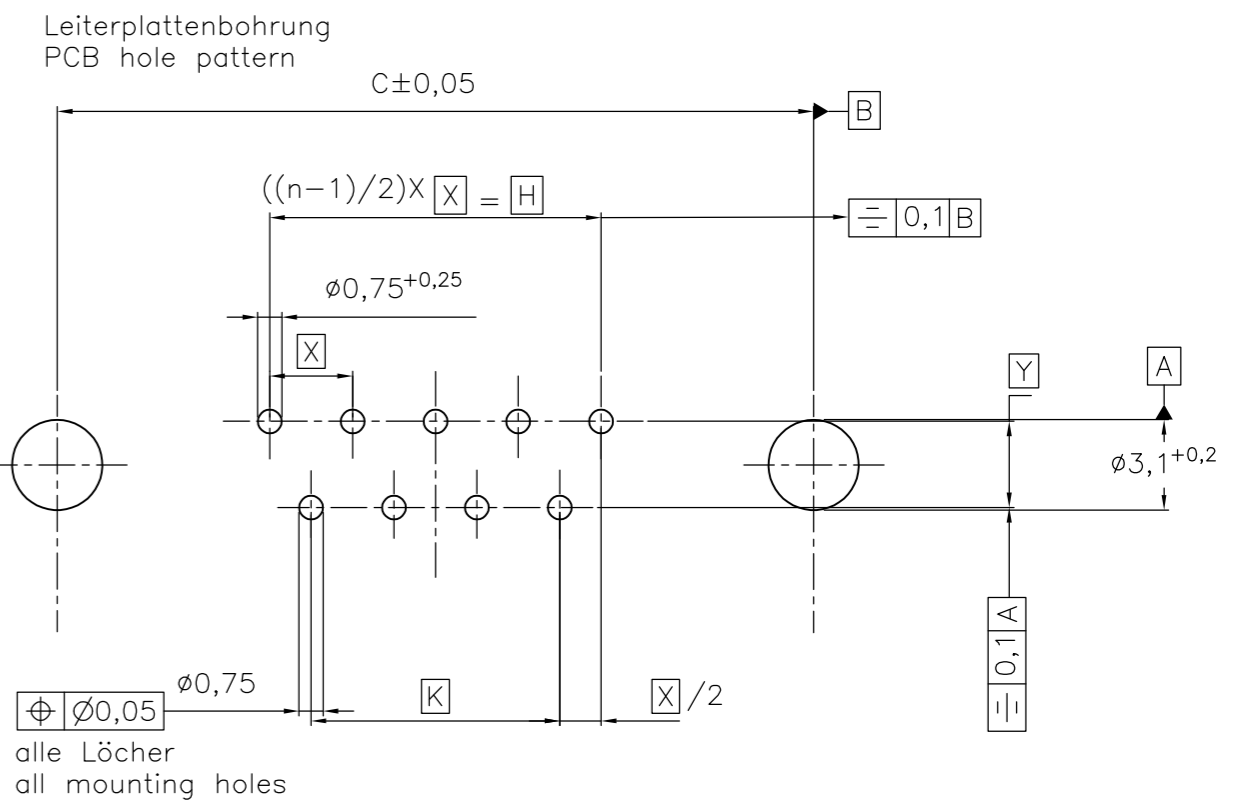
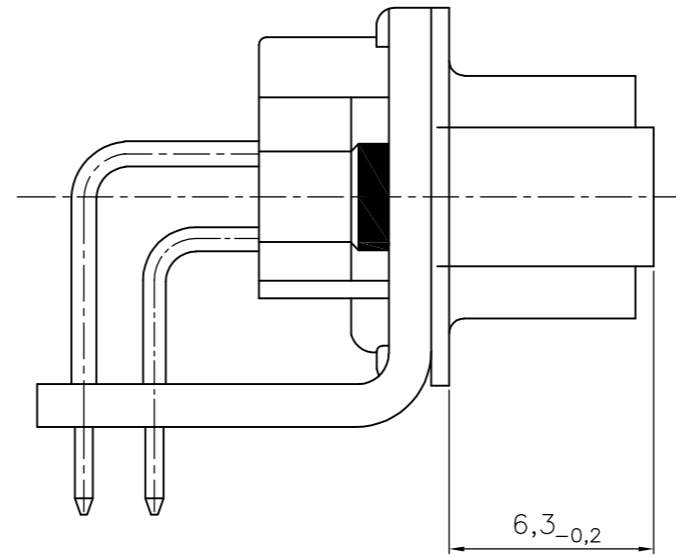
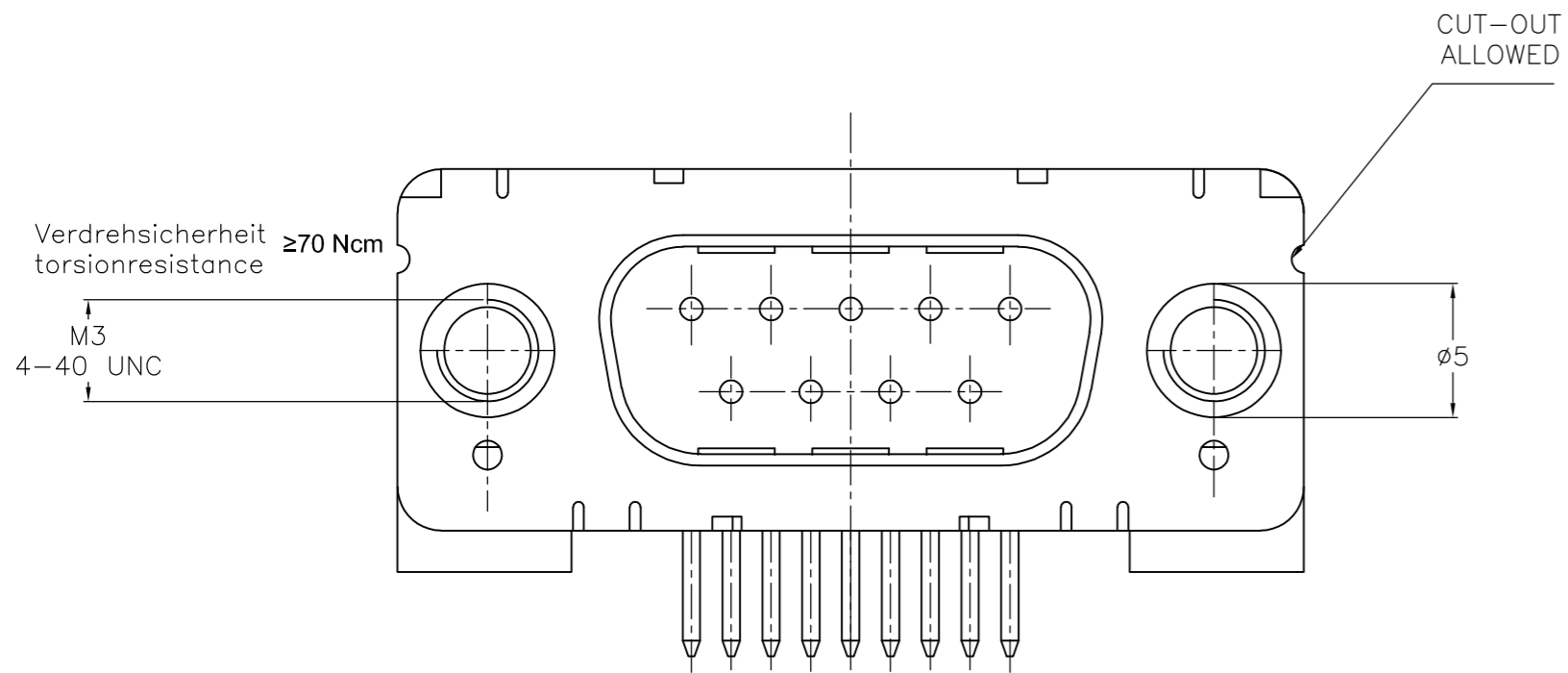
Sachnr/Ordernr	Y
V23529-	
Axx1x-Cxxx-+	2,84
Axx2x-Cxxx-+	2,54

THIS DRAWING IS A CONTROLLED DOCUMENT.		DWN GNANI JADAV A E	07JAN10	Tyco Electronics Corporation OOSTKAMP-BELGIUM	
DIMENSIONS: mm		CHK K.MALCZYK	APVD K.MALCZYK	NAME Stiftleiste-90° Lötansführung (Variant 2 und 3) ¹⁾ Pinconnector-90° solderversion (Type 2 and 3) ¹⁾	
TOLERANCES UNLESS OTHERWISE SPECIFIED: 0 PLC ± - 1 PLC ± - 2 PLC ± - 3 PLC ± - 4 PLC ± - ANGLES ± -		APPLICATION SPEC		SIZE A2	CAGE CODE 00779
MATERIAL		FINISH		DRAWING NO C=1393478-8	RESTRICTED TO
		WEIGHT		SCALE 2:1	SHEET 1 of 8
		CUSTOMER DRAWING		REV B4	

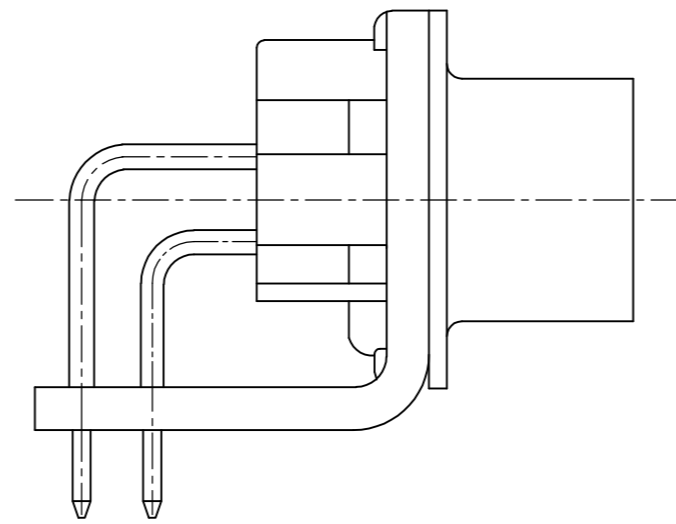
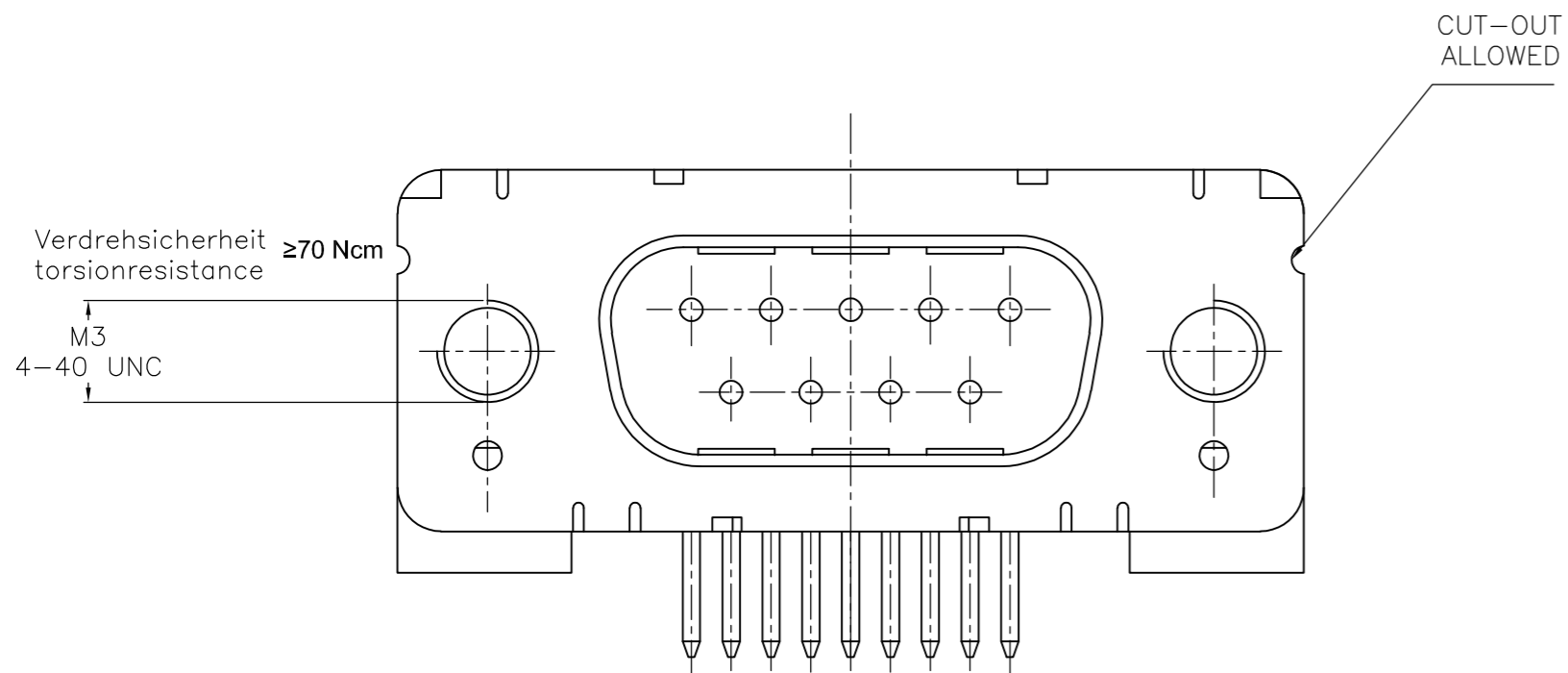
THIS DRAWING IS UNPUBLISHED. RELEASED FOR PUBLICATION
 © COPYRIGHT BY TYCO ELECTRONICS CORPORATION. ALL INTERNATIONAL RIGHTS RESERVED.

LOC		DIST		REVISIONS			
P	LTR	DESCRIPTION	DATE	DWN	APVD		
-	-	SEE SHEET 1	-	-	-		

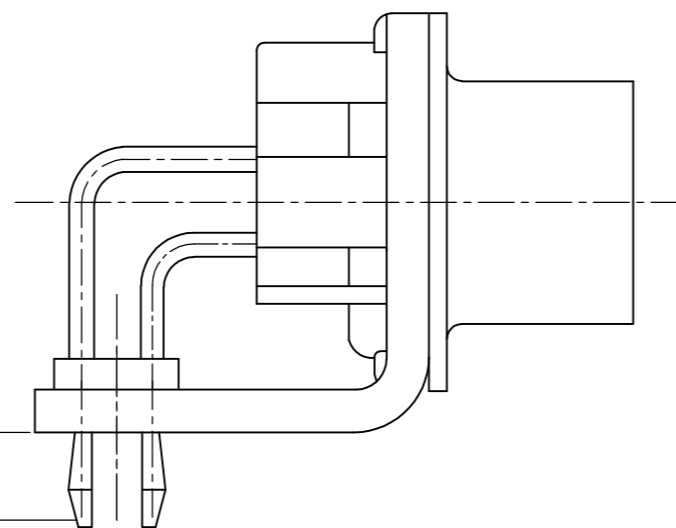
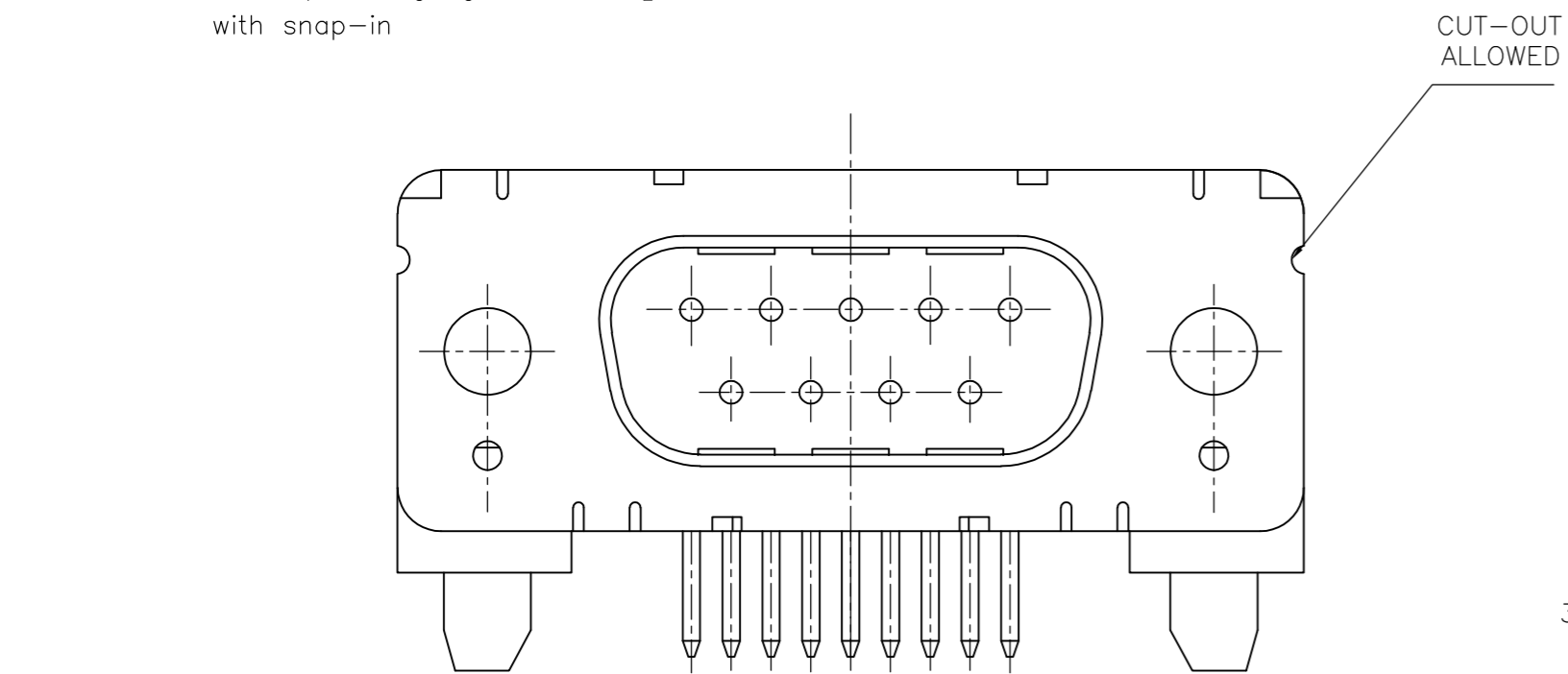
mit Gewindebolzen: M3 V23529-A₁xx4-Cxxx-+
 with thread lock 4-40 UNC V23529-A₁xx5-Cxxx-+



mit Gewinde: M3 V23529-A₁xx2-Cxxx-+
 with thread 4-40 UNC V23529-A₁xx3-Cxxx-+



mit Clipbefestigung: V23529-A₁2xx-Cxxx-+
 with snap-in



Mass Dimension	Polzahl n Number of contacts n			
	9	15	25	37
C	25	33,3	47,04	63,5
H	10,96	19,18	33,12	49,68
K	8,22	16,44	30,36	46,92
X	2,74	2,74	2,76	2,76
Y	2,54 oder 2,84			

1) nach DIN 41652 T,2 UND T,4
 according to DIN 41652 p,2 AND p,4

OLD PN: V23529-A****-C***-7427

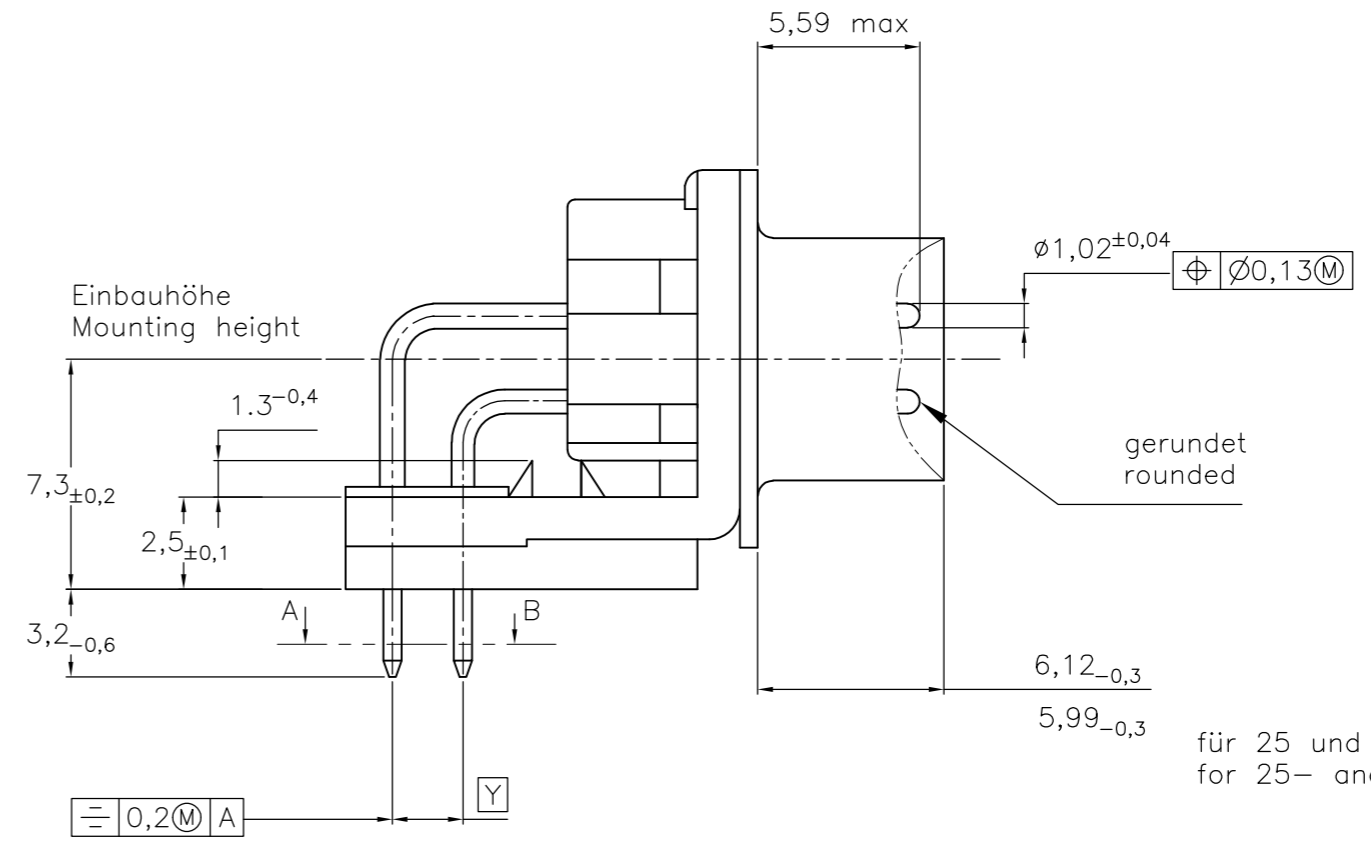
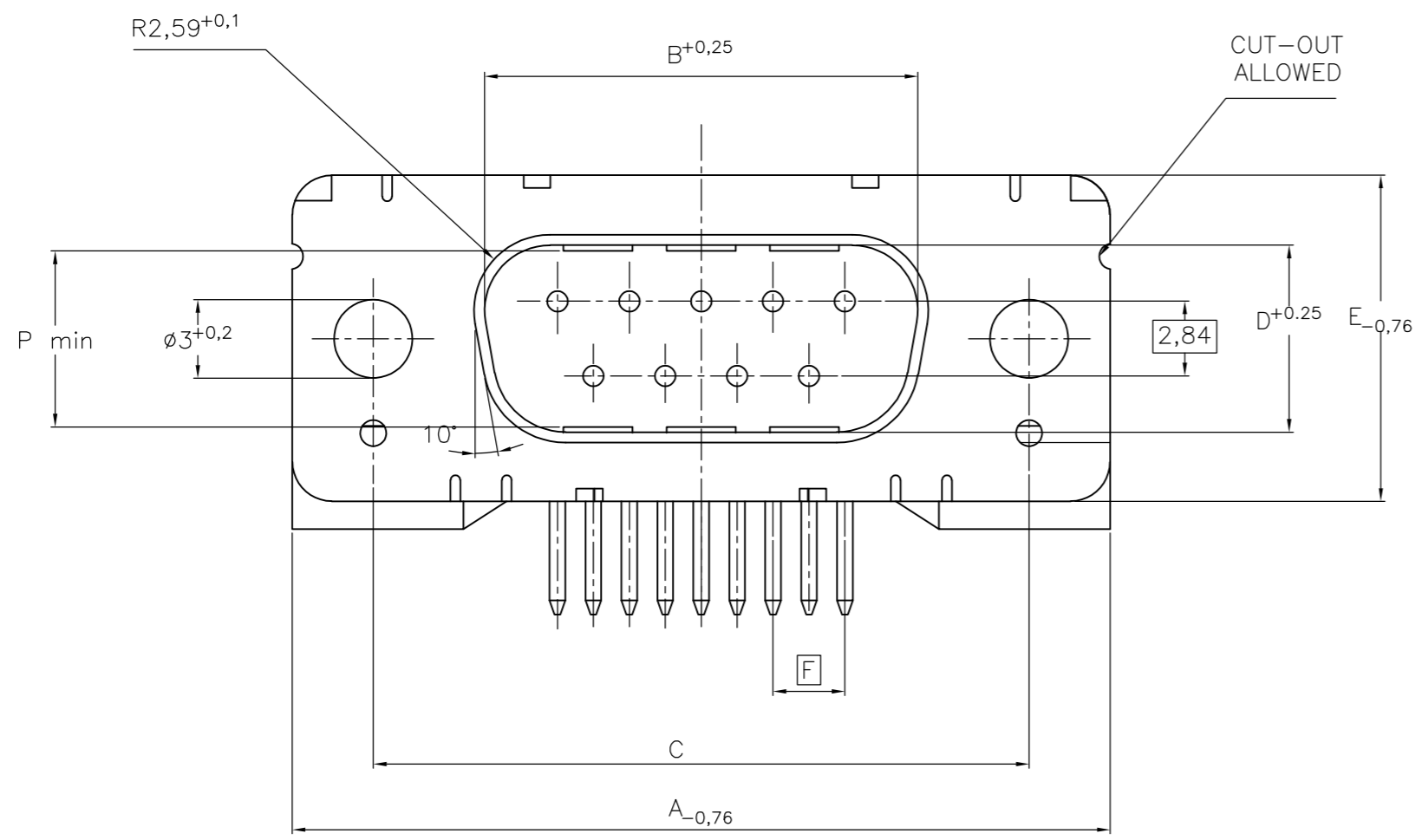
LP-Dicke 1,6±0,13mm, Loch $\phi 3,1^{+0,2}$
 PC-board-thickness 1,6±0,13mm, Hole $\phi 3,1^{+0,2}$

THIS DRAWING IS A CONTROLLED DOCUMENT.		DWN GNANI JADAV A E	07JAN10	Tyco Electronics Corporation OOSTKAMP-BELGIUM	
DIMENSIONS: mm		CHK K.MALCZYK	APVD K.MALCZYK	NAME Stiftleiste-90° Lötanschluss (Variant 2 und 3) ¹⁾ Pinconnector-90° solderversion (Type 2 and 3) ¹⁾	
TOLERANCES UNLESS OTHERWISE SPECIFIED: 0 PLC ± - 1 PLC ± - 2 PLC ± - 3 PLC ± - 4 PLC ± - ANGLES ± -		APPLICATION SPEC		SIZE A2	CAGE CODE 00779
MATERIAL		WEIGHT		DRAWING NO C=1393478-8	RESTRICTED TO
FINISH		CUSTOMER DRAWING		SCALE 2:1	SHEET 2 of 8
				REV B4	

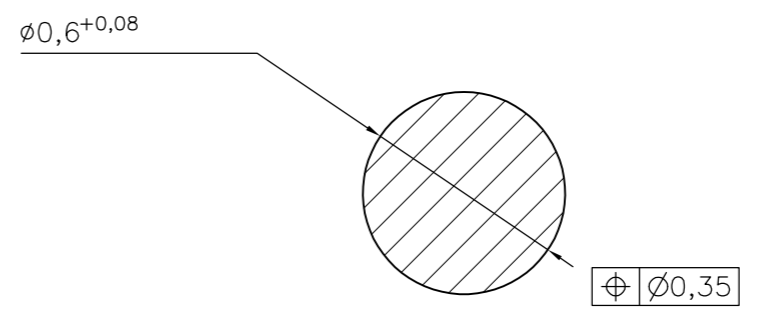
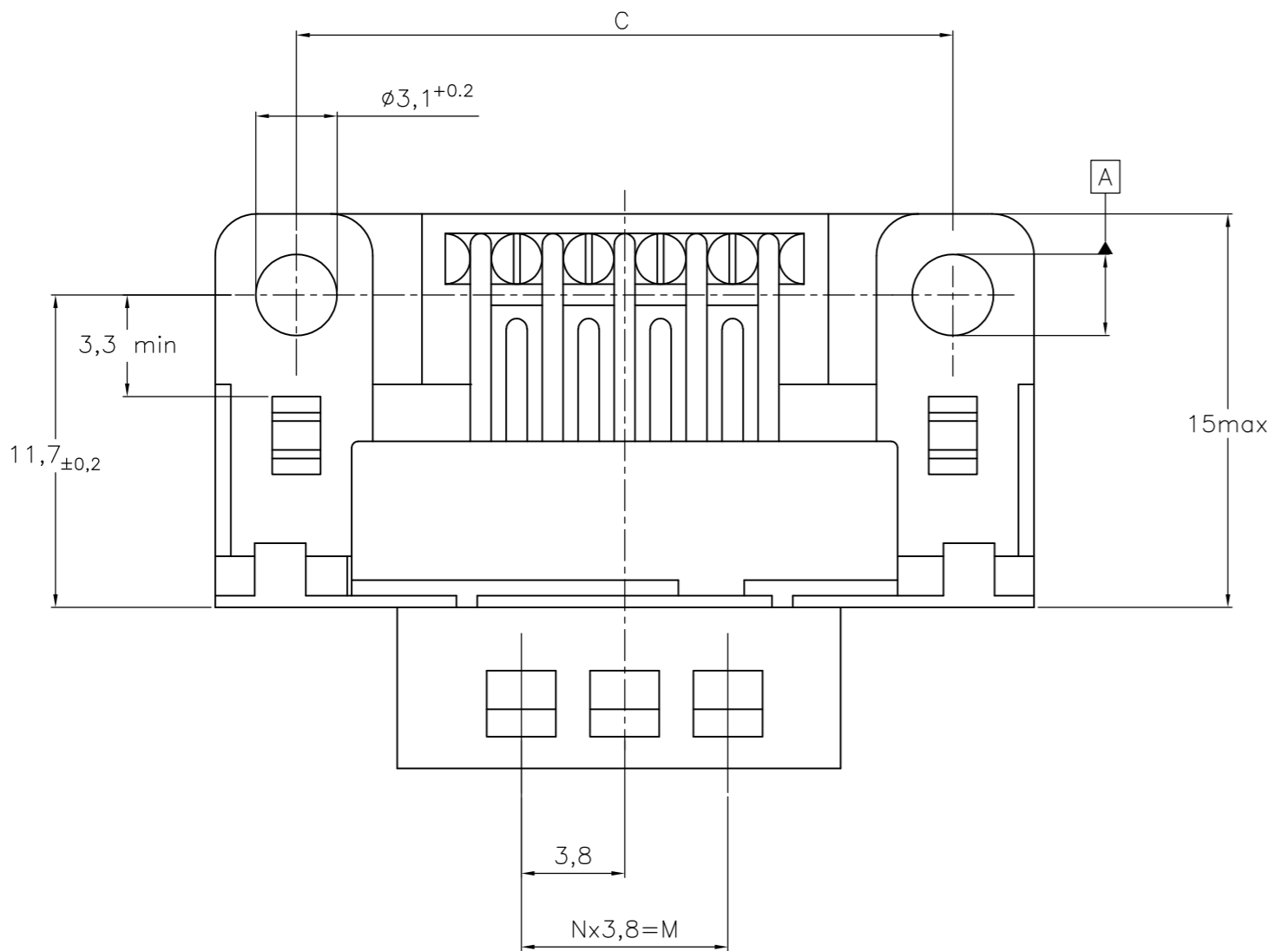
THIS DRAWING IS UNPUBLISHED. RELEASED FOR PUBLICATION
 © COPYRIGHT BY TYCO ELECTRONICS CORPORATION. ALL INTERNATIONAL RIGHTS RESERVED.

LOC		DIST		REVISIONS			
P	LTR	DESCRIPTION	DATE	DWN	APVD		
GW	-	SEE SHEET 1	-	-	-		

Standardausführung isoliert: V23529-A $\frac{3}{4}$ 1x1-Cxxx-+
 Standardversion insulated



Schnitt AB des Lötanschlusses
 Cross-section AB of solderpin
 (20:1)



Ordercode Sachnr V23529-Axxxx	Contacts Polzahl	Mass/Dimension									
		A	B	C	D	E	F	M	N	P	
..-Cx09-+	09	31,19	16,79	25,0 $\begin{smallmatrix} +0,12 \\ -0,13 \end{smallmatrix}$	8,23	12,93	2,74	7,6	2	7,72	
..-Cx15-+	15	39,52	25,12	33,3 $\begin{smallmatrix} +0,15 \\ -0,1 \end{smallmatrix}$			2,74	15,2	4	7,69	
..-Cx25-+	25	53,42	38,84	47,04 $\begin{smallmatrix} +0,13 \\ -0,13 \end{smallmatrix}$			2,76	26,6	7	7,65	
..-Cx37-+	37	69,7	55,30	63,5 $\begin{smallmatrix} +0,13 \\ -0,13 \end{smallmatrix}$			2,76	41,8	11	7,65	

1) nach DIN 41652 T.2 und T.4
 according to DIN 41652 p.2 and p.4

Sachnr/Ordernr	Y
V23529-	Y
Axx1x-Cxxx-+	2,84
Axx2x-Cxxx-+	2,54

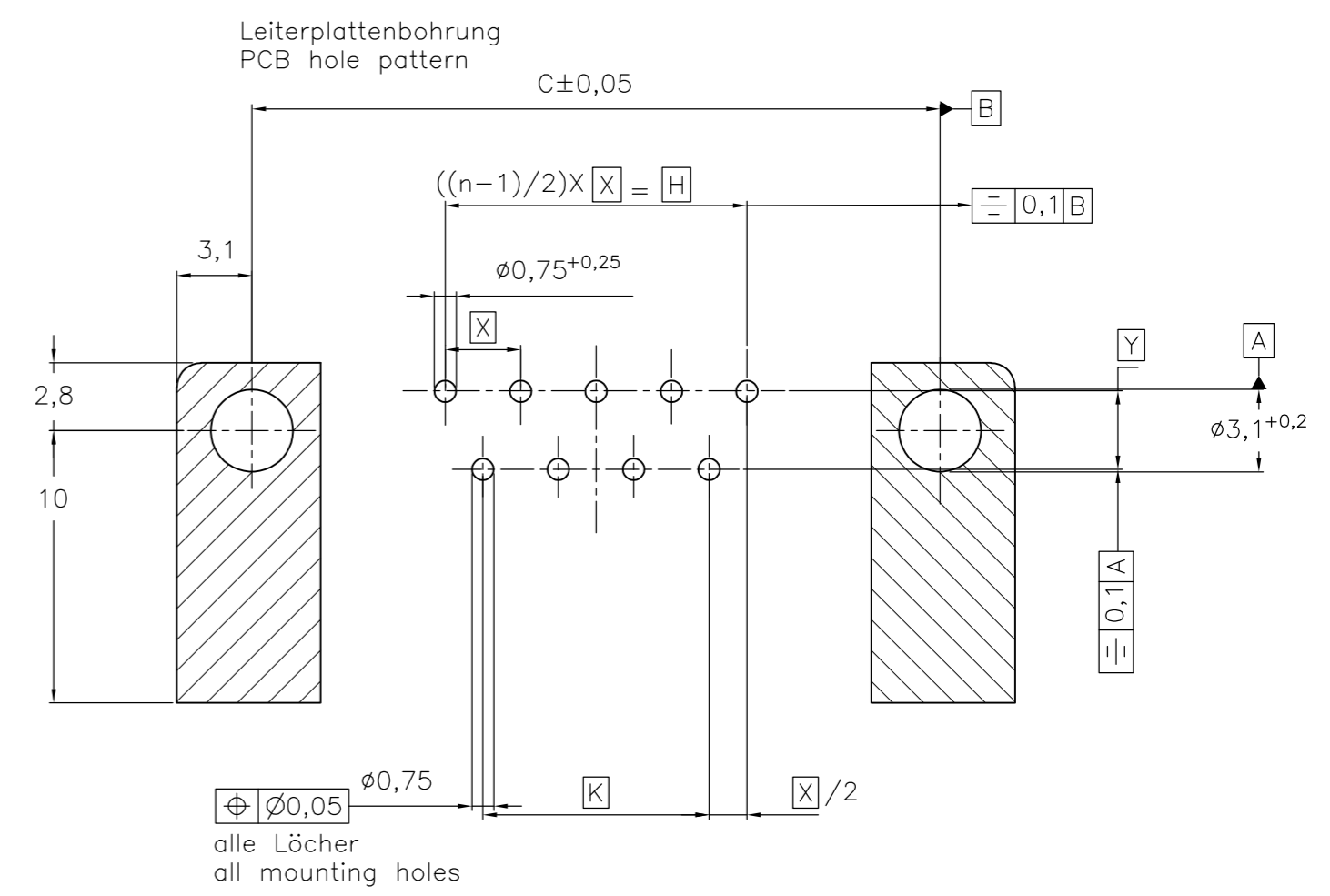
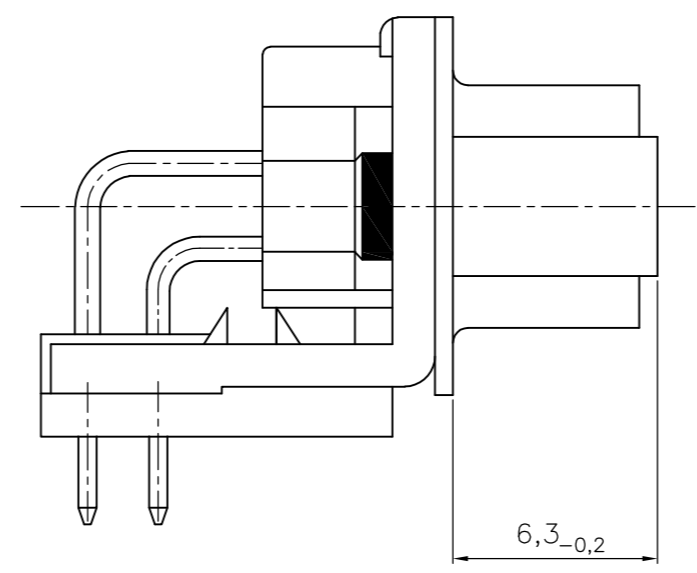
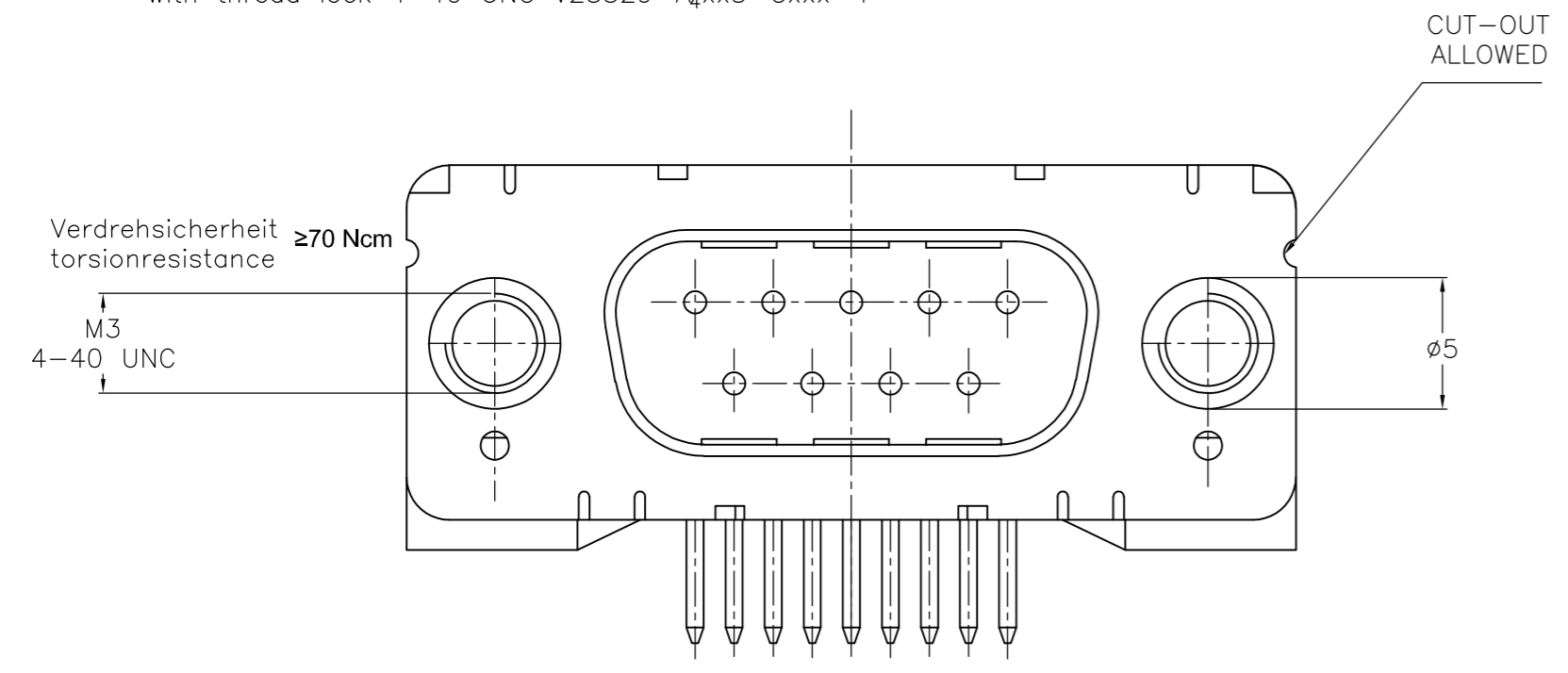
Anforderungsstufe/Performance level 1) OLD PN: V23529-A****-C***-*-7427

THIS DRAWING IS A CONTROLLED DOCUMENT.		DWN GNANI JADAV A E	07JAN10	Tyco Electronics Corporation OOSTKAMP-BELGIUM	
DIMENSIONS: mm		CHK K.MALCZYK	APVD K.MALCZYK	NAME Stiftleiste-90° Lötanschluss (Variant 2 und 3) ¹⁾ Pinconnector-90° solderversion (Type 2 and 3) ¹⁾	
TOLERANCES UNLESS OTHERWISE SPECIFIED: 0 PLC ± - 1 PLC ± - 2 PLC ± - 3 PLC ± - 4 PLC ± - ANGLES ± -		APPLICATION SPEC		SIZE A2	CAGE CODE 00779
MATERIAL		WEIGHT		DRAWING NO C=1393478-8	
FINISH		CUSTOMER DRAWING		SCALE 2:1	SHEET 3 of 8
				RESTRICTED TO	REV B4

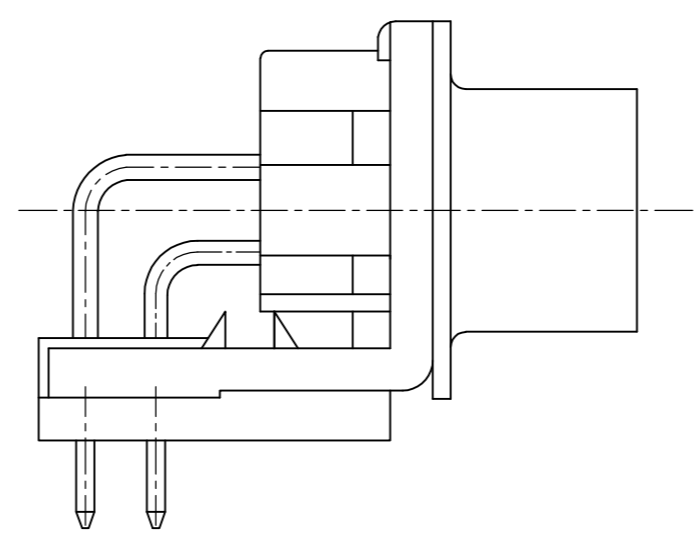
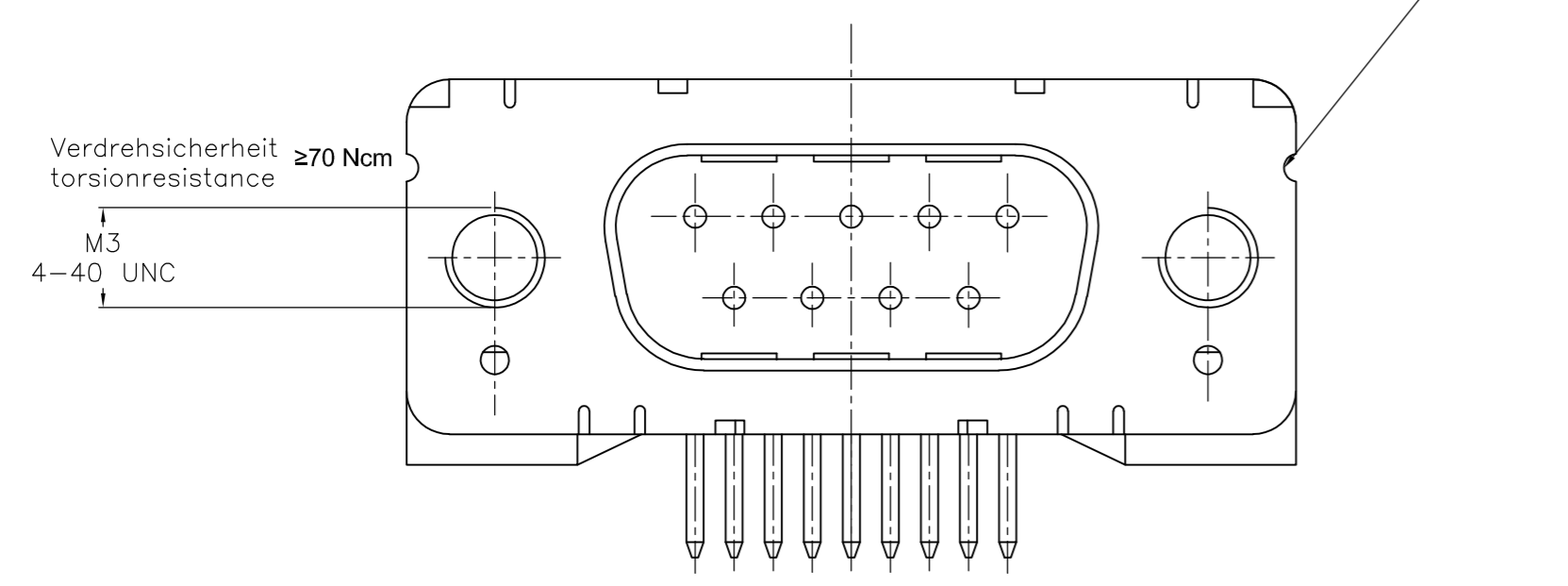
THIS DRAWING IS UNPUBLISHED. RELEASED FOR PUBLICATION
 © COPYRIGHT BY TYCO ELECTRONICS CORPORATION. ALL INTERNATIONAL RIGHTS RESERVED.

LOC		DIST		REVISIONS			
P	LTR	DESCRIPTION	DATE	DWN	APVD		
-	-	SEE SHEET 1	-	-	-		

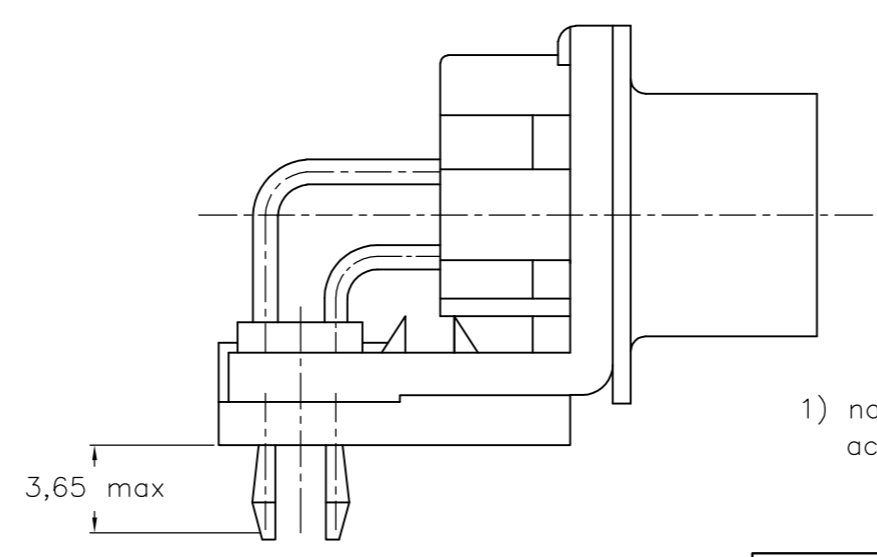
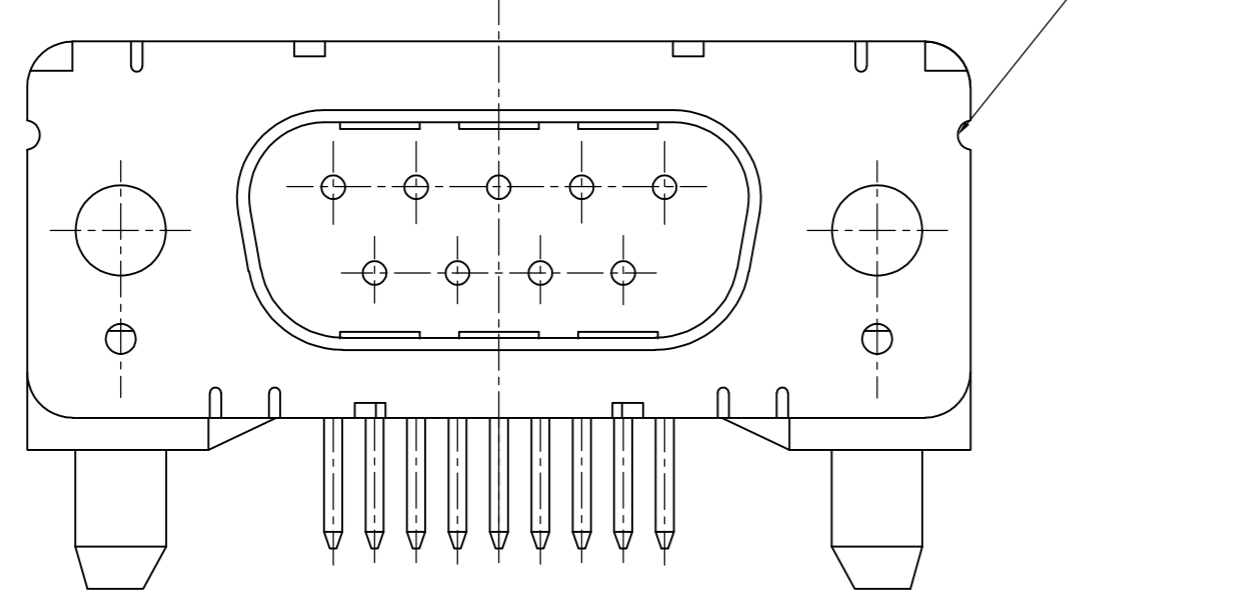
mit Gewindebolzen: M3 V23529-A₃xx4-Cxxx-+
 with thread lock 4-40 UNC V23529-A₃xx5-Cxxx-+



mit Gewinde: M3 V23529-A₃xx2-Cxxx-+
 with thread 4-40 UNC V23529-A₃xx3-Cxxx-+



mit Clipbefestigung: V23529-A₃2xx-Cxxx-+
 with snap-in



Mass Dimension	Polzahl n Number of contacts n			
	9	15	25	37
C	25	33,3	47,04	63,5
H	10,96	19,18	33,12	49,68
K	8,22	16,44	30,36	46,92
X	2,74	2,74	2,76	2,76
Y	2,54 oder 2,84			

1) nach DIN 41652 T,2 UND T,4
 according to DIN 41652 p,2 AND p,4

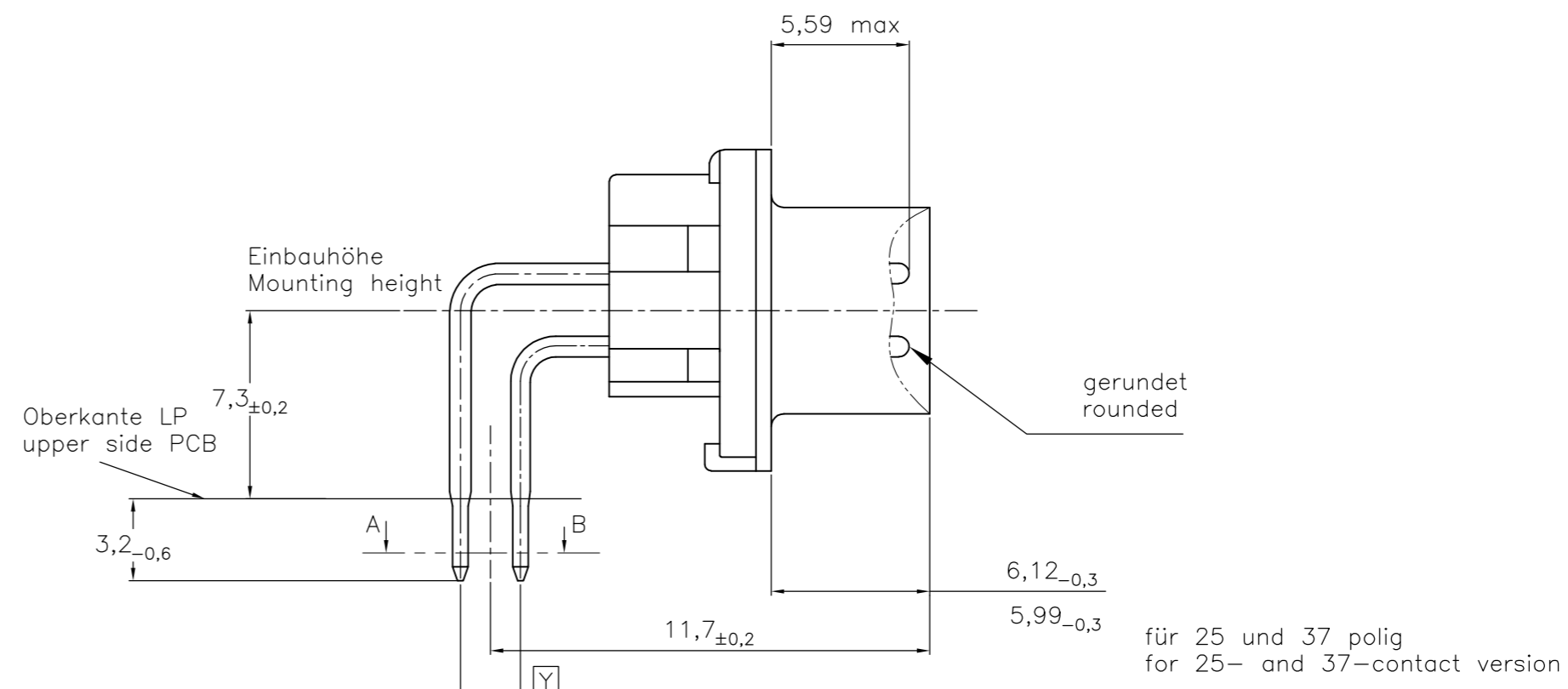
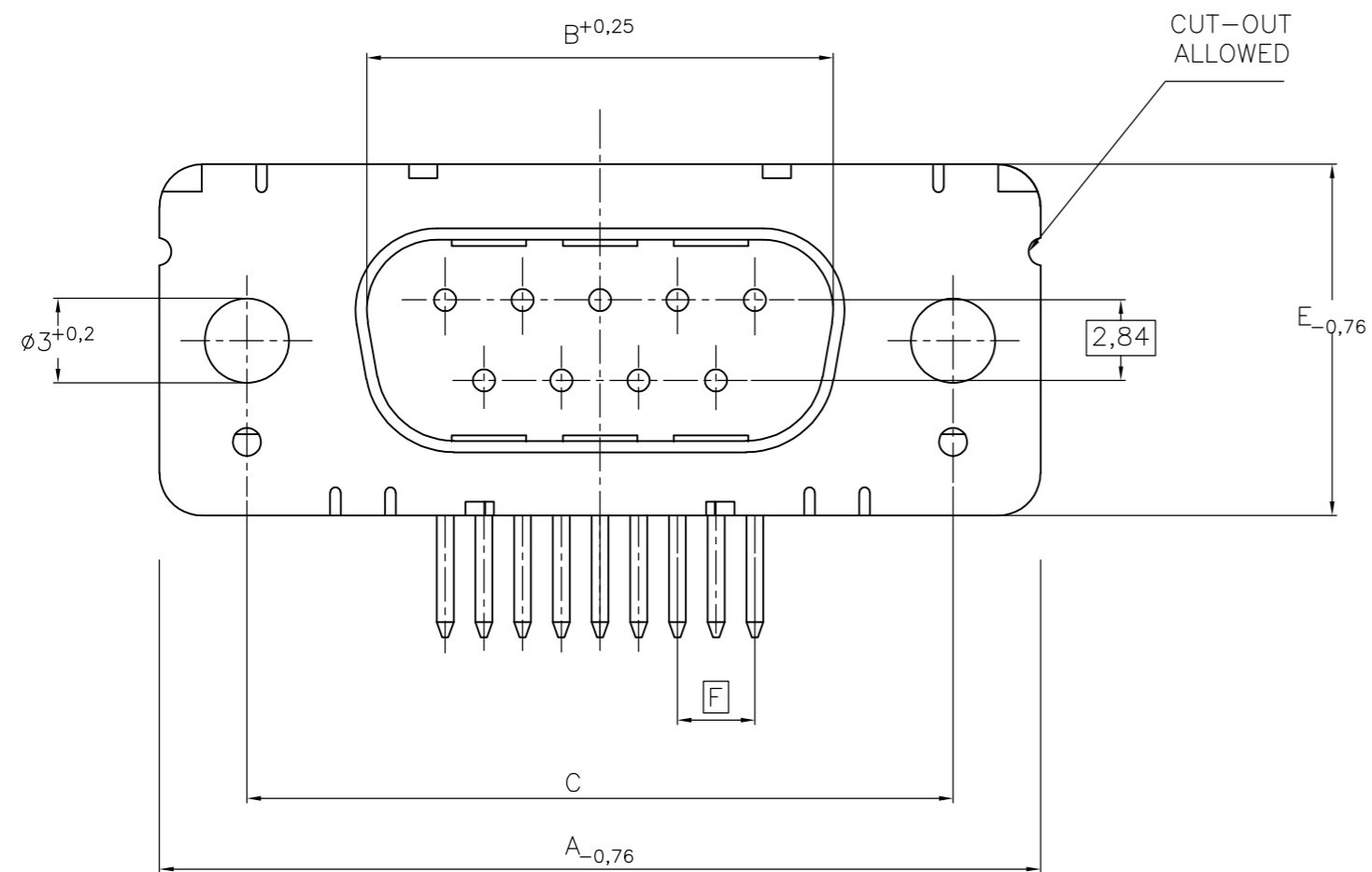
OLD PN: V23529-A****-C***-*-7427

THIS DRAWING IS A CONTROLLED DOCUMENT.		DWN GNANI JADAV A E	07JAN10	Tyco Electronics Corporation OOSTKAMP-BELGIUM	
DIMENSIONS: mm		CHK K.MALCZYK		NAME Stiftleiste-90° Lötanschluss (Variant 2 und 3) ¹⁾ Pinconnector-90° solderversion (Type 2 and 3) ¹⁾	
TOLERANCES UNLESS OTHERWISE SPECIFIED:		APVD K.MALCZYK		SIZE A2	CAGE CODE 00779
0 PLC ± - 1 PLC ± - 2 PLC ± - 3 PLC ± - 4 PLC ± - ANGLES ± -		PRODUCT SPEC		DRAWING NO C=1393478-8	RESTRICTED TO -
MATERIAL -		FINISH -	WEIGHT -	SCALE 2:1	SHEET 4 of 8
CUSTOMER DRAWING				REV B4	

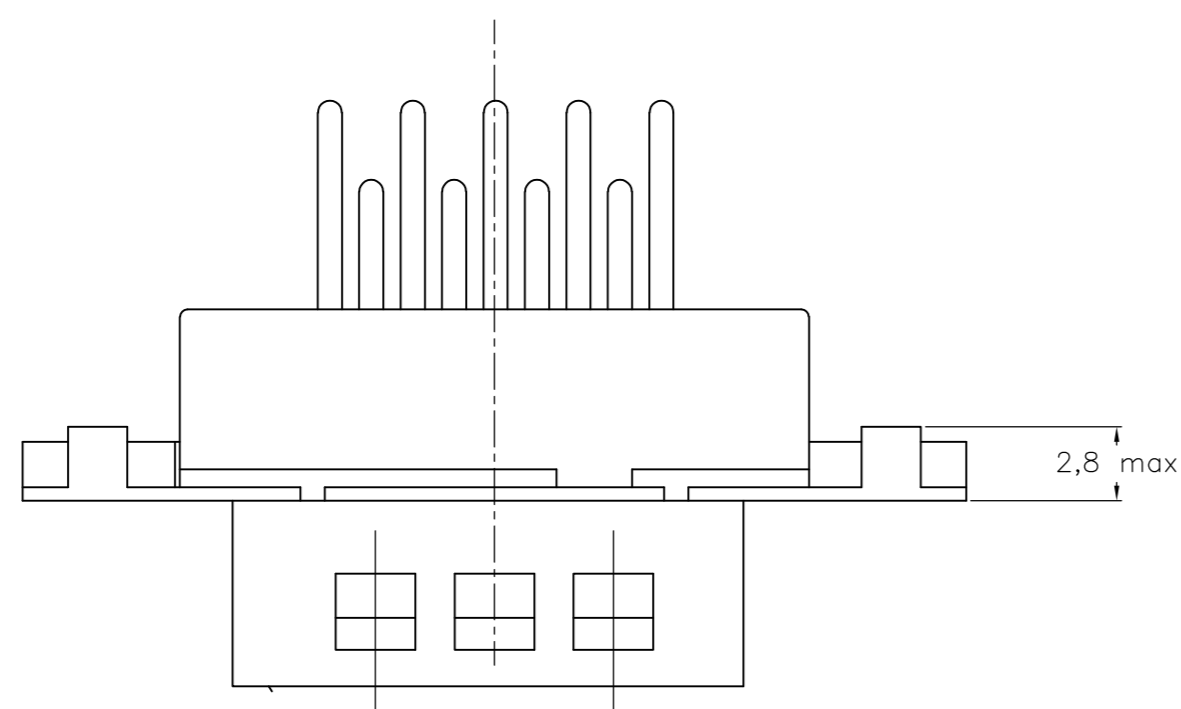
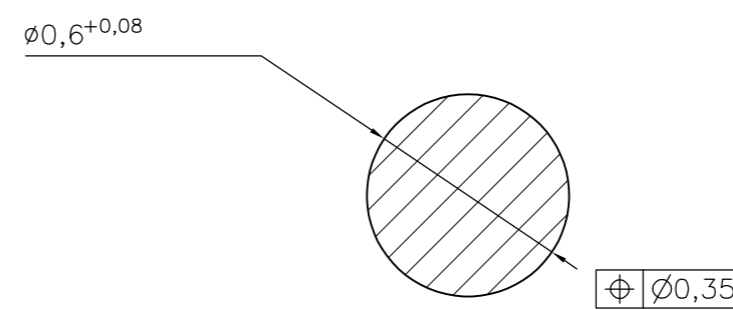
THIS DRAWING IS UNPUBLISHED. RELEASED FOR PUBLICATION
 © COPYRIGHT BY TYCO ELECTRONICS CORPORATION. ALL INTERNATIONAL RIGHTS RESERVED.

LOC		DIST		REVISIONS			
P	LTR	DESCRIPTION	DATE	DWN	APVD		
GW	-	SEE SHEET 1	-	-	-		

Standardausführung ohne Winkel: V23529-A50x1-Cxxx-+
 Standardversion without bracket



Schnitt AB des Lötanschlusses
 Cross-section AB of solderpin (20:1)



Ordercode Sachnr V23529-Axxxx	Contacts Polzahl	Mass/Dimension							
		A	B	C	D	E	F		P
..-Cx09-+	09	31,19	16,79	25,0 ^{+0,12} _{-0,13}	8,23	12,93	2,74		7,72
..-Cx15-+	15	39,52	25,12	33,3 ^{+0,15} _{-0,1}			2,74		7,69
..-Cx25-+	25	53,42	38,84	47,04 ^{+0,13} _{-0,13}			2,76		7,65
..-Cx37-+	37	69,7	55,30	63,5 ^{+0,13} _{-0,13}			2,76		7,65

Anforderungsstufe/Performance level 1)

OLD PN: V23529-A****-C***-*-7427

1) nach DIN 41652 T.2 und T.4
 according to DIN 41652 p.2 and p.4

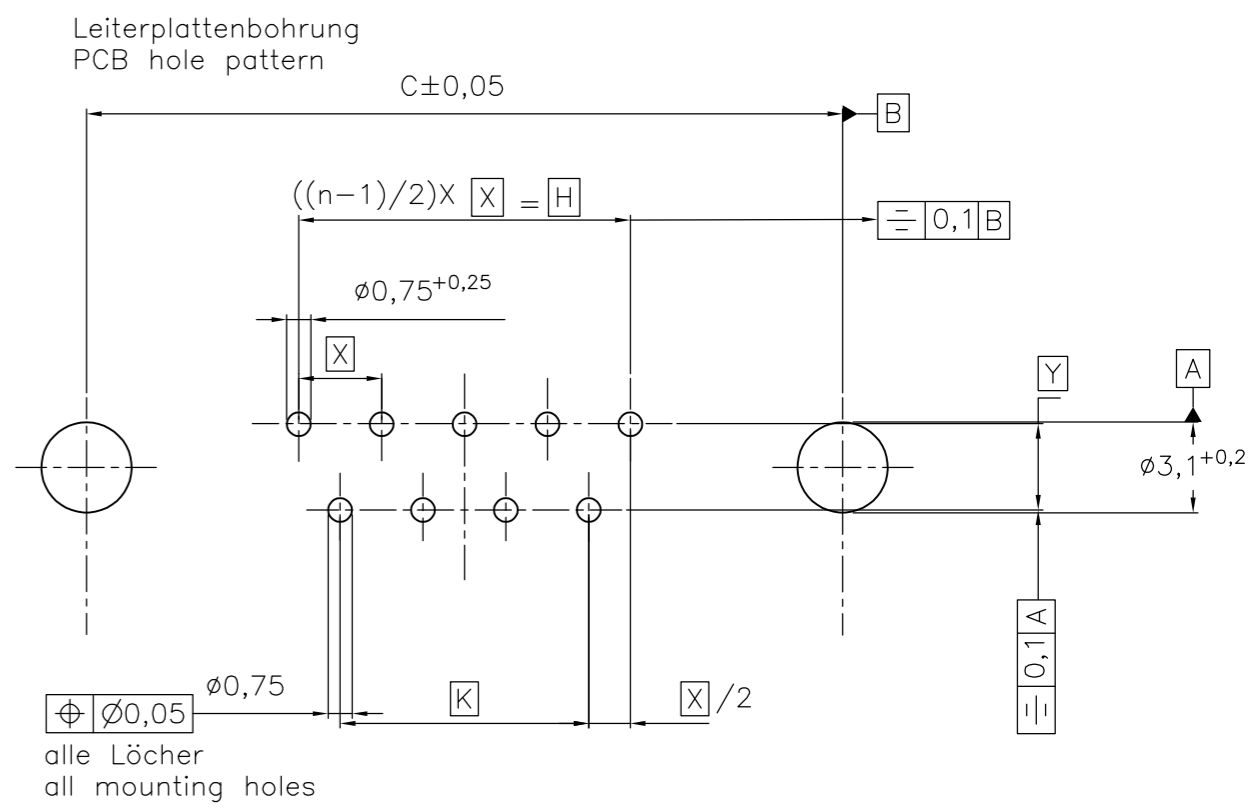
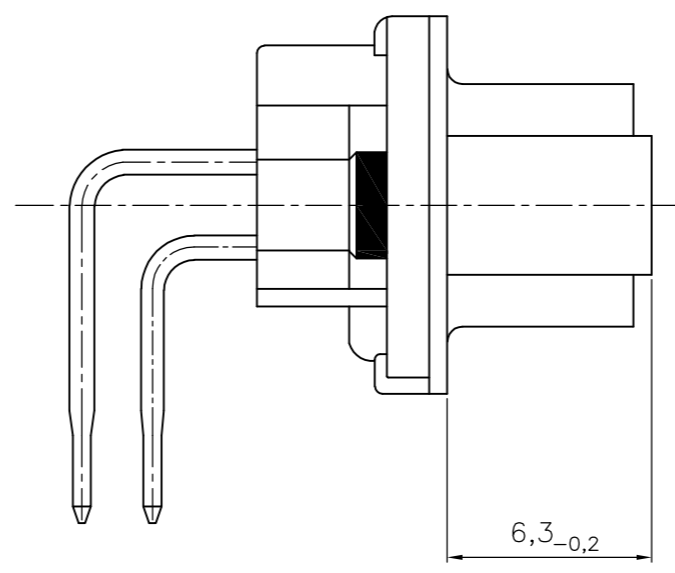
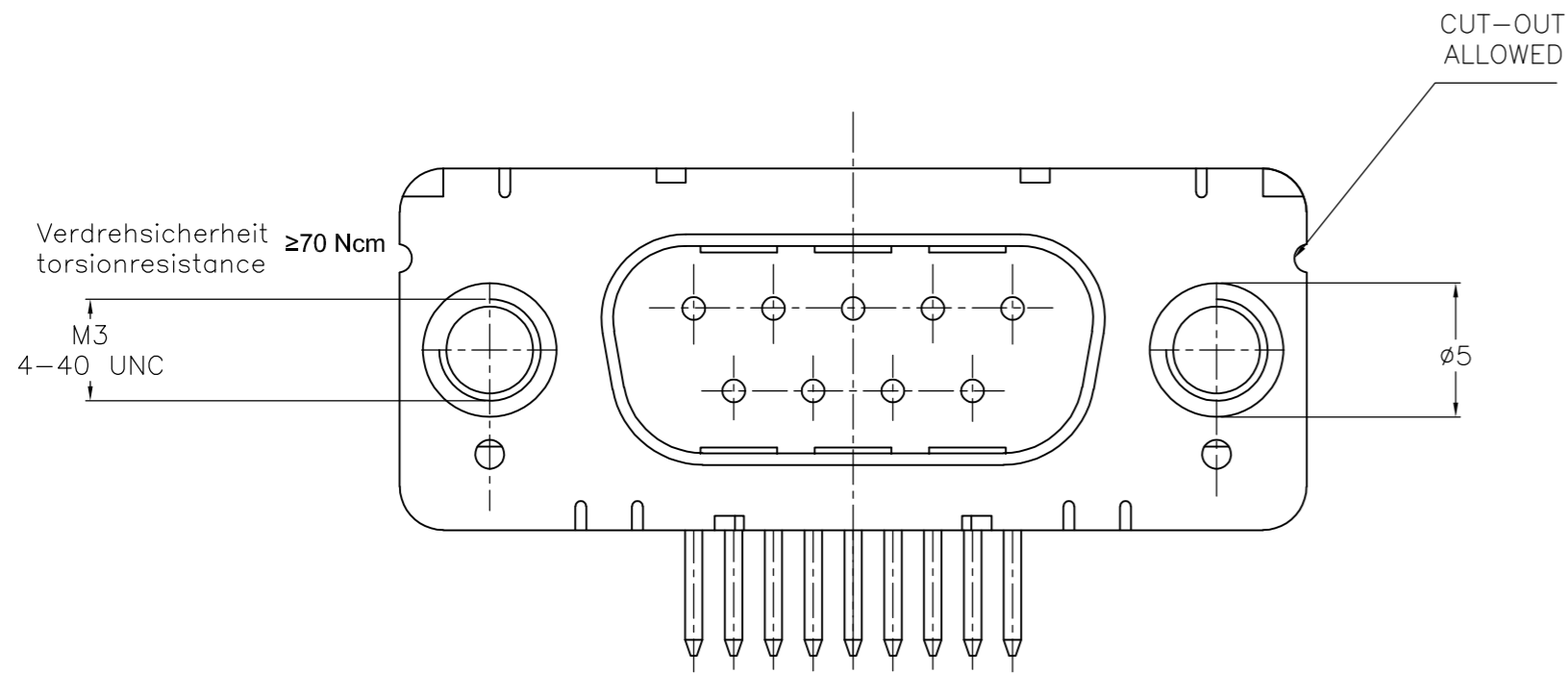
Sachnr/Ordernr	Y
V23529-	
A501x-Cxxx-+	2,84
A502x-Cxxx-+	2,54

THIS DRAWING IS A CONTROLLED DOCUMENT.		DWN GNANI JADAV A E	07JAN10	Tyco Electronics Corporation OOSTKAMP-BELGIUM	
DIMENSIONS: mm		CHK K.MALCZYK	APVD K.MALCZYK	NAME Stiftleiste-90° Lötanschluss (Variant 2 und 3) ¹⁾ Pinconnector-90° solderversion (Type 2 and 3) ¹⁾	
TOLERANCES UNLESS OTHERWISE SPECIFIED: 0 PLC ± - 1 PLC ± - 2 PLC ± - 3 PLC ± - 4 PLC ± - ANGLES ± -		APPLICATION SPEC		SIZE A2	CAGE CODE 00779
MATERIAL		FINISH		DRAWING NO C=1393478-8	
		WEIGHT		RESTRICTED TO	
		CUSTOMER DRAWING		SCALE 2:1	SHEET 5 of 8
				REV B4	

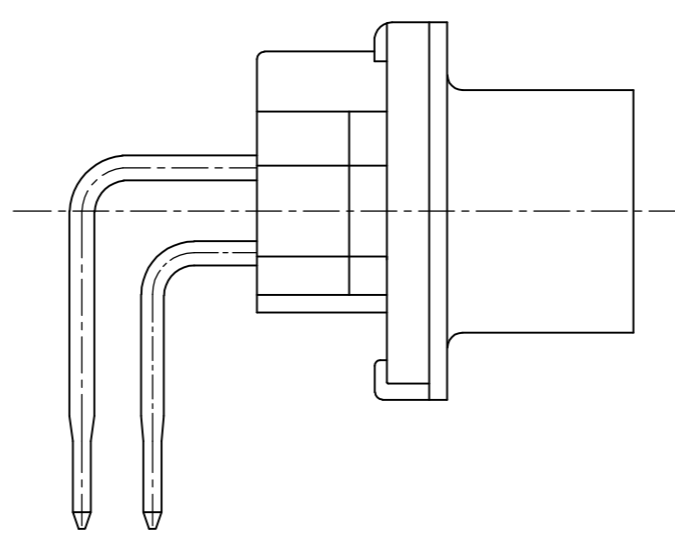
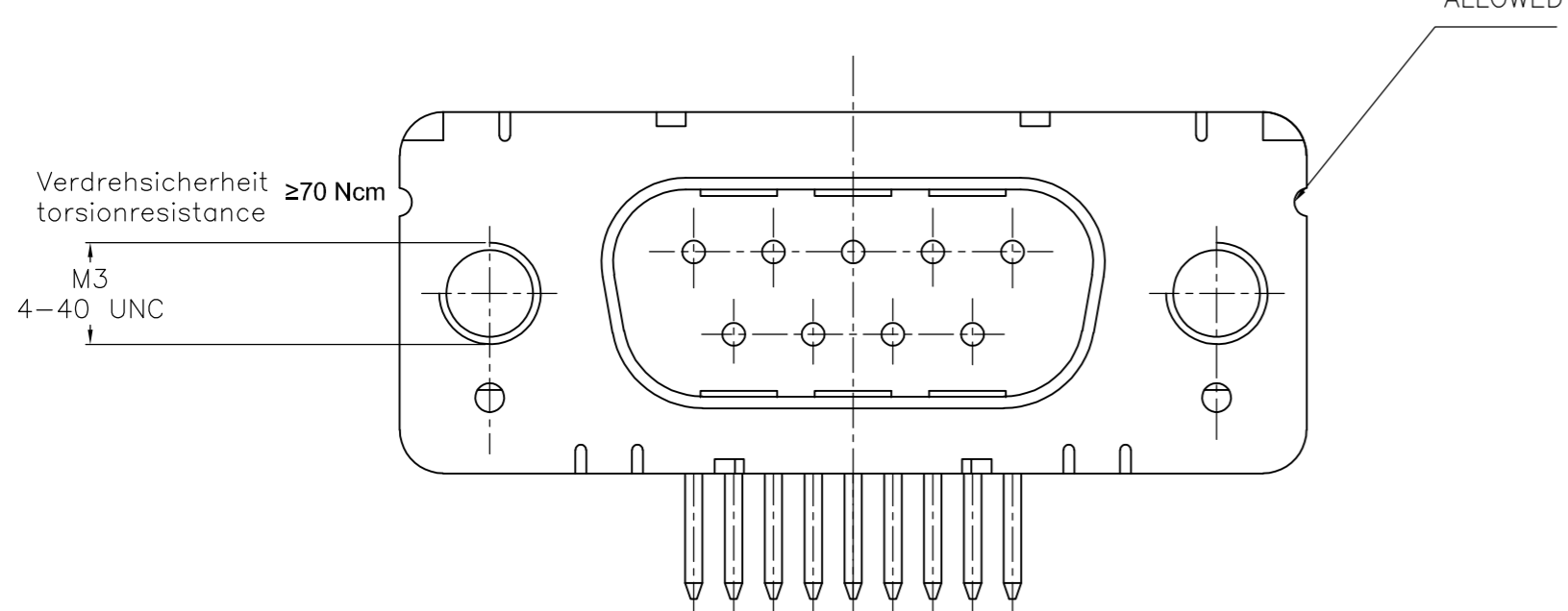
THIS DRAWING IS UNPUBLISHED. RELEASED FOR PUBLICATION
 © COPYRIGHT BY TYCO ELECTRONICS CORPORATION. ALL INTERNATIONAL RIGHTS RESERVED.

LOC	DIST	REVISIONS			
P	LTR	DESCRIPTION	DATE	DWN	APVD
GW	-	SEE SHEET 1	-	-	-

mit Gewindebolzen: M3 V23529-A50x4-Cxxx-++
 with thread lock 4-40 UNC V23529-A50x5-Cxxx-++



mit Gewinde: M3 V23529-A50x2-Cxxx-++
 with thread 4-40 UNC V23529-A50x3-Cxxx-++



Mass Dimension	Polzahl n Number of contacts n			
	9	15	25	37
C	25	33,3	47,04	63,5
H	10,96	19,18	33,12	49,68
K	8,22	16,44	30,36	46,92
X	2,74	2,74	2,76	2,76
Y	2,54 ^{oder} 2,84			

1) nach DIN 41652 T,2 UND T,4
 according to DIN 41652 p,2 AND p,4

OLD PN: V23529-A****-C***-*-7427

THIS DRAWING IS A CONTROLLED DOCUMENT.		DWN GNANI JADAV A E 07JAN10	Tyco Electronics Corporation OOSTKAMP-BELGIUM	
DIMENSIONS: mm	TOLERANCES UNLESS OTHERWISE SPECIFIED:	CHK K.MALCZYK	NAME Stiftieiste-90° LötAusführung (Variant 2 und 3) ¹⁾ Pinconnector-90° solderdiversion (Type 2 and 3) ¹⁾	
	0 PLC ± - 1 PLC ± - 2 PLC ± - 3 PLC ± - 4 PLC ± - ANGLES ± -	APVD K.MALCZYK	SIZE A2	CAGE CODE 00779
MATERIAL	FINISH	PRODUCT SPEC	DRAWING NO C=1393478-8	RESTRICTED TO
		APPLICATION SPEC	SCALE 2:1	SHEET 6 of 8
		WEIGHT	REV B4	
CUSTOMER DRAWING				

THIS DRAWING IS UNPUBLISHED. RELEASED FOR PUBLICATION
 © COPYRIGHT BY TYCO ELECTRONICS CORPORATION. ALL INTERNATIONAL RIGHTS RESERVED.

LOC	DIST	REVISIONS			
P	LTR	DESCRIPTION	DATE	DWN	APVD
		SEE SHEET 1			

V 2 3 5 2 9 - A * * * * - C * * * - +

	Winkelausführung Beschriftung	//	bracket type marking
1	Metallwinkel mit Hersteller-Beschriftung	//	metal bracket producer marking
2	Metallwinkel ohne Beschriftung	//	metal bracket no marking
3	Metallwinkel Isoliert mit Hersteller-Beschriftung	//	metal bracket insulated producer marking
4	Metallwinkel Isoliert ohne Beschriftung	//	metal bracket insulated no marking
5	ohne Metallwinkel mit Hersteller-Beschriftung	//	without metal bracket producer marking

	Leiterplattenbefestigung	//	PCB mounting
0	ohne LP-Befestigung	//	none
1	Loch $\phi 3$	//	hole $\phi 3$
2	mit Clip	//	snap-in
3	mit Gewinde M3	//	thread M3

	SUFFIX		
-(ohne) (without)	Isolierteil grau RAL 7035	//	Insulation piece grey RAL 7035
S	Isolierteil schwarz RAL 9005	//	Insulation piece black RAL 9005
H	Isolierteil schwarz RAL 9005 Sonderbeschriftung H	//	Insulation piece black RAL 9005 customer marking H
T	Isolierteil schwarz hochtemperaturbeständig	//	Insulation piece black high temperature resistant

	Anschlußvarianten	//	contact type
1	Stiellänge 3,2 mm Raster 2,84 x 2,76	//	pin length 3,2 mm spacing 2,84 x 2,76
2	Stiellänge 3,2 mm Raster 2,54 x 2,76	//	pin length 3,2 mm spacing 2,54 x 2,76

	Steckerbefestigung	//	connector mounting
1	Loch $\phi 3$	//	hole $\phi 3$
2	Gewinde M3	//	thread M3
3	Gewinde 4-40UNC	//	thread 4-40UNC
4	Gewindebolzen M3	//	stud bolt screwlock M3
5	Gewindebolzen 4-40UNC	//	stud bolt screwlock 4-40UNC

	Polzahl	//	No. of contacts
09	9 polig	//	9-contacts
15	15 polig	//	15-contacts
25	25 polig	//	25-contacts
37	37 polig	//	37-contacts

	kontaktoberfläche / Anforderungsstufe	contact surface / performance level
1	Au / Güte	// Au / PL
2	Au / Güte	// Au / PL

	Steckerart	//	connector type
C	Stiftleiste mit Schirnfiederung	//	pinconnector with grounding fingers

1) nach DIN 41652 T.2 und T.4
 according to DIN 41652 p.2 and p.4

OLD PN: V23529-A*****C***-7427

THIS DRAWING IS A CONTROLLED DOCUMENT.		DWN GNANI JADAV A E	07JAN10	Tyco Electronics Corporation OOSTKAMP-BELGIUM	
DIMENSIONS: mm		CHK K.MALCZYK		NAME Stiftleiste-90° LötAusführung (Variant 2 und 3) ¹⁾ Pinconnector-90° solderversion (Type 2 and 3) ¹⁾	
TOLERANCES UNLESS OTHERWISE SPECIFIED:		APVD K.MALCZYK		SIZE A2	CAGE CODE 00779
0 PLC ± - 1 PLC ± - 2 PLC ± - 3 PLC ± - 4 PLC ± - ANGLES ± -		PRODUCT SPEC -		DRAWING NO C=1393478-8	RESTRICTED TO -
MATERIAL -		FINISH -	WEIGHT -	SCALE 2:1	SHEET 7 of 8
CUSTOMER DRAWING				REV B4	

1393478-8

THIS DRAWING IS UNPUBLISHED. RELEASED FOR PUBLICATION
 © COPYRIGHT BY TYCO ELECTRONICS CORPORATION. ALL INTERNATIONAL RIGHTS RESERVED.

LOC	DIST	REVISIONS					
GW	-	P	LTR	DESCRIPTION	DATE	DWN	APVD
		-		SEE SHEET 1	-	-	-

Active part numbers. Contact Tyco Electronics for other configuration availability

Old Part Number	TE Part Number		PRIMARY	SECONDARY
V23529-A1111-C109	1-1393478-8	2	OBSOLETE	
V23529-A1111-C209	1-1393478-0			
V23529-A1111-C215	1-1393478-1			
V23529-A1111-C225	1-1393478-2			
V23529-A1111-C237	1-1393478-3			
V23529-A1113-C209	2-1393478-4	2	OBSOLETE	
V23529-A1115-C209	3-1393478-0			
V23529-A1115-C215	3-1393478-1			
V23529-A1115-C225	3-1393478-2			
V23529-A1115-C237	3-1393478-3			
V23529-A1121-C209	4-1393478-4			
V23529-A1121-C215	4-1393478-5			
V23529-A1121-C237	4-1393478-6			
V23529-A1122-C115	5-1393478-4	2	OBSOLETE	
V23529-A1122-C209	5-1393478-5		OBSOLETE	
V23529-A1122-C237	5-1393478-6	2	OBSOLETE	
V23529-A1123-C209	6-1393478-3			
V23529-A1123-C215	6-1393478-4			
V23529-A1123-C225	6-1393478-5			
V23529-A1123-C237	6-1393478-6			
V23529-A1124-C109	7-1393478-3			
V23529-A1125-C209	8-1393478-0			
V23529-A1125-C237	8-1393478-1			
V23529-A1215-C209	1393479-4			
V23529-A1221-C109	1-1393479-4	2	OBSOLETE	
V23529-A1221-C215	1-1393479-8			
V23529-A1221-C225	1-1393479-9	2	OBSOLETE	
V23529-A1222-C109	3-1393479-1			
V23529-A1222-C209	3-1393479-3			
V23529-A1222-C215	3-1393479-4			
V23529-A1222-C225	3-1393479-5			
V23529-A1222-C237	3-1393479-6		OBSOLETE	
V23529-A1223-C109	4-1393479-2			
V23529-A1223-C209	4-1393479-3			
V23529-A1223-C215	4-1393479-4			
V23529-A1223-C225	4-1393479-5			
V23529-A1223-C237	4-1393479-6			
V23529-A1225-C209	6-1393479-4			
V23529-A1225-C215	6-1393479-5			
V23529-A1225-C225	6-1393479-6			
V23529-A1112-C225	2-1393478-1		OBSOLETE	

Old Part Number	TE Part Number		PRIMARY	SECONDARY
V23529-A1225-C237	6-1393479-7	2	OBSOLETE	
V23529-A3113-C209	7-1393479-7		OBSOLETE	
V23529-A3121-C109	8-1393479-6		OBSOLETE	
V23529-A3121-C209	8-1393479-8		SUPERSEDED	5-338168-2
V23529-A3121-C215	8-1393479-9		SUPERSEDED	5-338169-2
V23529-A3121-C225	9-1393479-0		SUPERSEDED	5-338170-2
V23529-A3121-C237	9-1393479-1		SUPERSEDED	5-338171-2
V23529-A3122-C209	5-1393487-8		SUPERSEDED	7-338168-2
V23529-A3122-C215	5-1393487-9		SUPERSEDED	7-338169-2
V23529-A3122-C237	9-1393479-5		SUPERSEDED	7-338171-2
V23529-A3125-C109	9-1393479-8		OBSOLETE	
V23529-A3125-C209	1393480-1		SUPERSEDED	8-338168-2
V23529-A3125-C215	6-1393487-2		SUPERSEDED	8-338169-2
V23529-A3125-C225	6-1393487-3		SUPERSEDED	8-338170-2
V23529-A3125-C237	6-1393487-4		SUPERSEDED	8-338171-2
V23529-A3212-C209	1393480-4		OBSOLETE	
V23529-A3221-C209	6-1393487-9		SUPERSEDED	0-338168-2
V23529-A3221-C215	7-1393487-0		SUPERSEDED	0-338169-2
V23529-A3221-C225	7-1393487-1		SUPERSEDED	0-338170-2
V23529-A3221-C237	7-1393487-2		SUPERSEDED	0-338171-2
V23529-A3222-C209	7-1393487-7		SUPERSEDED	2-338168-2
V23529-A3222-C215	7-1393487-8		SUPERSEDED	2-338169-2
V23529-A3222-C225	7-1393487-9		SUPERSEDED	2-338170-2
V23529-A3222-C237	8-1393487-0		SUPERSEDED	2-338171-2
V23529-A3223-C209	1392010-9		SUPERSEDED	1-338168-2
V23529-A3223-C215	1-1393480-1		SUPERSEDED	1-338169-2
V23529-A3223-C225	1-1392010-0		SUPERSEDED	1-338170-2
V23529-A3223-C237	1-1392010-1		SUPERSEDED	1-338171-2
V23529-A3225-C209	1-1393480-5		SUPERSEDED	3-338168-2
V23529-A3225-C215	8-1393487-5		SUPERSEDED	3-338169-2
V23529-A3225-C225	8-1393487-6		SUPERSEDED	3-338170-2
V23529-A3225-C237	8-1393487-7		SUPERSEDED	3-338171-2
V23529-A3213-C209	1393480-8		OBSOLETE	
V23529-A3111-C209	7-1393479-1		OBSOLETE	
V23529-A3113-C209	7-1393479-7		OBSOLETE	
V23529-A3113-C215	7-1393479-9		OBSOLETE	
V23529-A3122-C225	9-1393479-4		SUPERSEDED	7-338170-2
V23529-A3125-C137	9-1393479-9		OBSOLETE	

OLD PN: V23529-A****-C***-*-7427

1) nach DIN 41652 T.2 und T.4
 according to DIN 41652 p.2 and p.4

2) OBSOLETE PARTS: OBSOLETE CIS STREAMLINING PER D.RENAUD/D.SINISI

THIS DRAWING IS A CONTROLLED DOCUMENT.		DWN	07JAN10	Tyco Electronics Corporation	
		CHK	GNANI JADAV A E	OOSTKAMP-BELGIUM	
DIMENSIONS: mm		APVD	K.MALCZYK	NAME	
TOLERANCES UNLESS OTHERWISE SPECIFIED:		PRODUCT SPEC	K.MALCZYK	Stiftleiste-90° Lötanschluss (Variant 2 und 3) ¹⁾ Pinconnector-90° solderversion (Type 2 and 3) ¹⁾	
0 PLC ± -		APPLICATION SPEC	-	SIZE	RESTRICTED TO
1 PLC ± -		WEIGHT	-	A2	-
2 PLC ± -		CUSTOMER DRAWING	-	CAGE CODE	00779
3 PLC ± -		SCALE	2:1	DRAWING NO	C=1393478-8
4 PLC ± -		SHEET	8 of 8	REV	B4
ANGLES ± -					
FINISH					