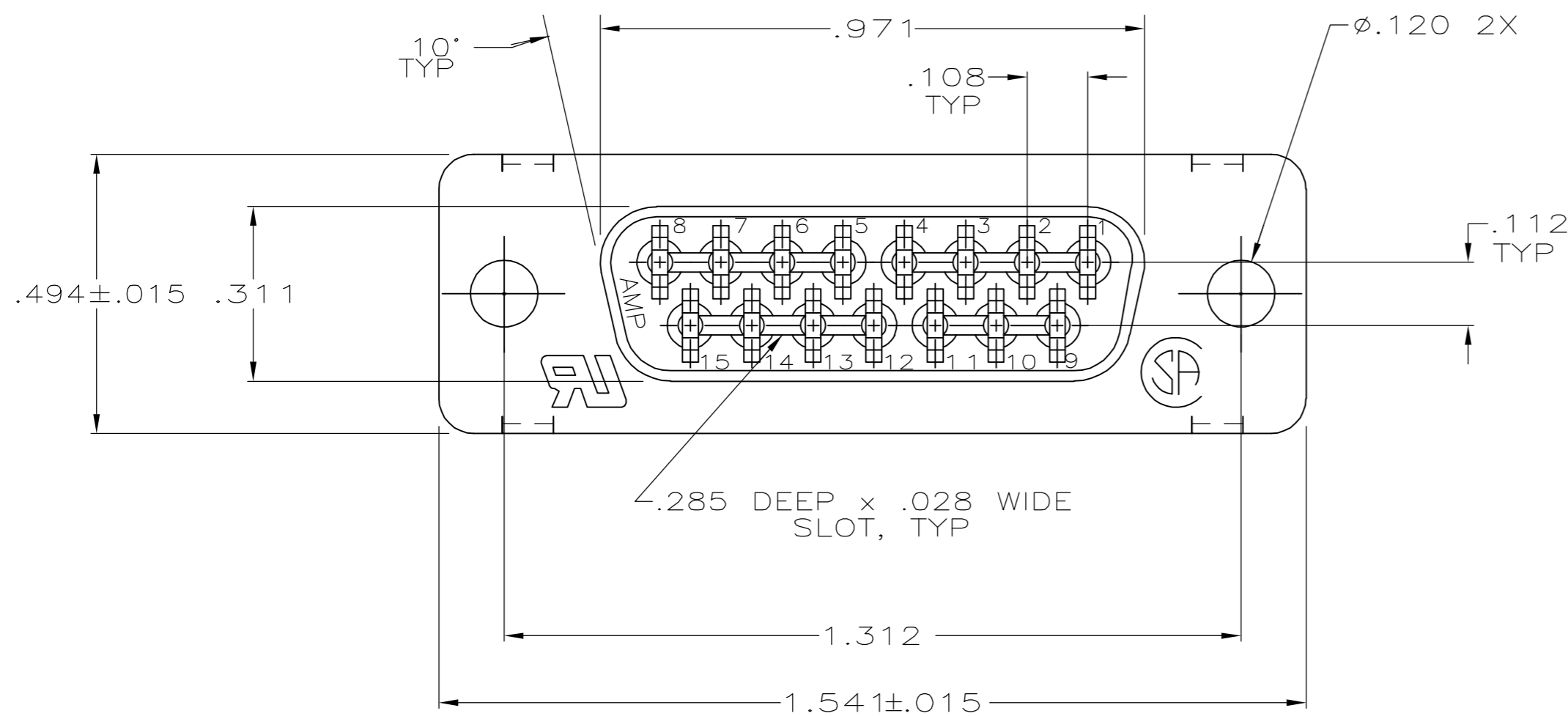
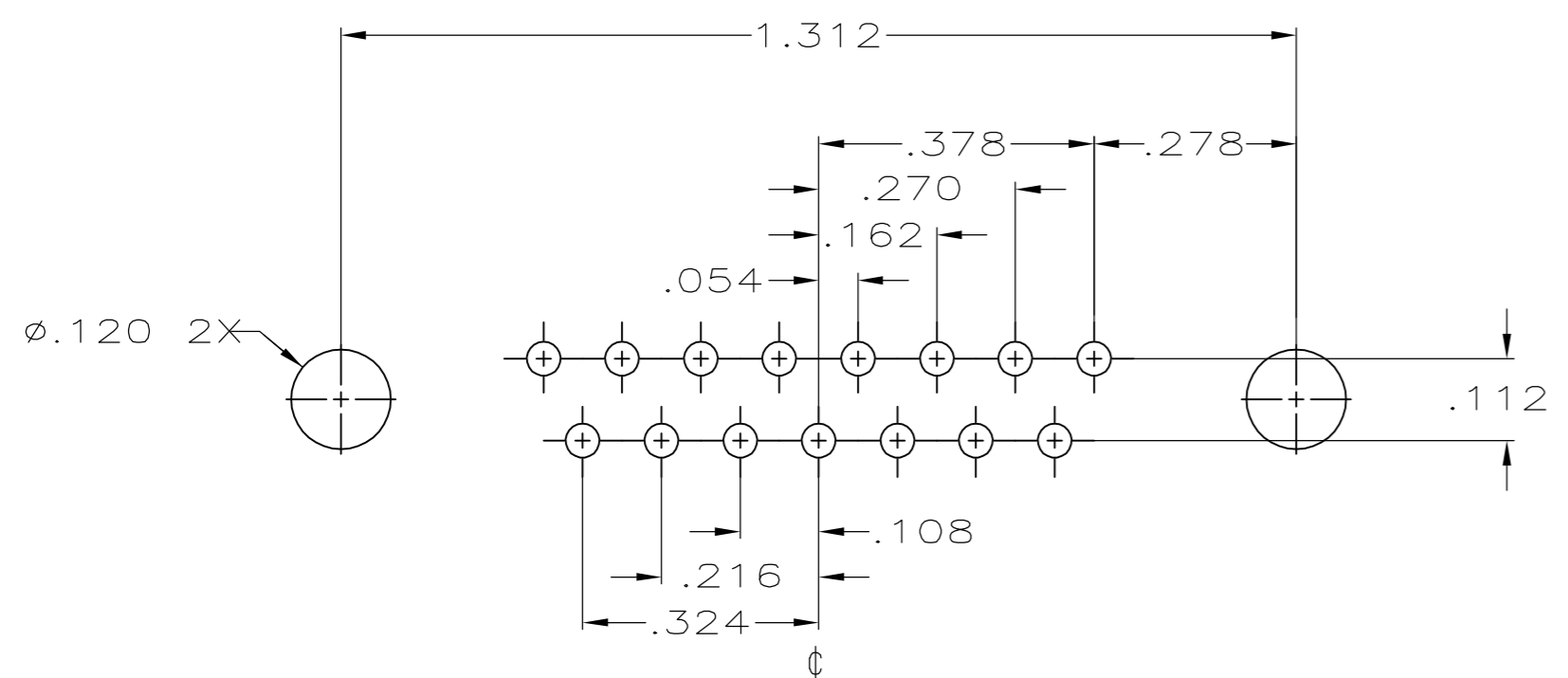
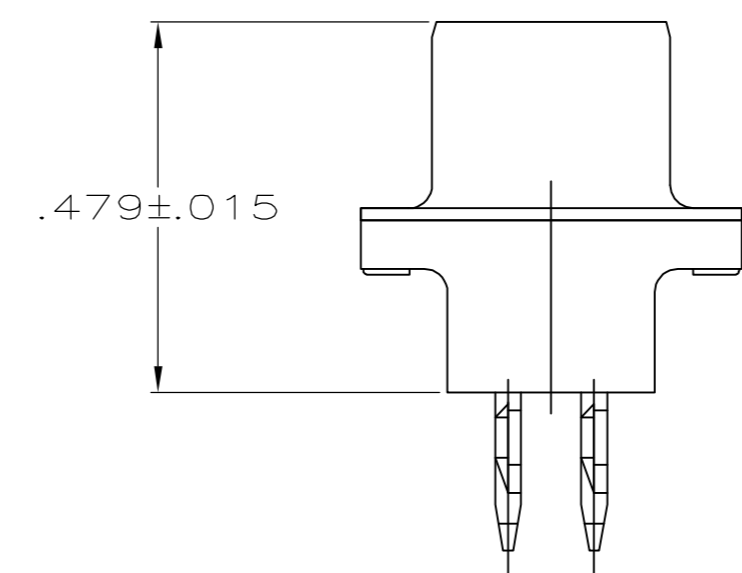
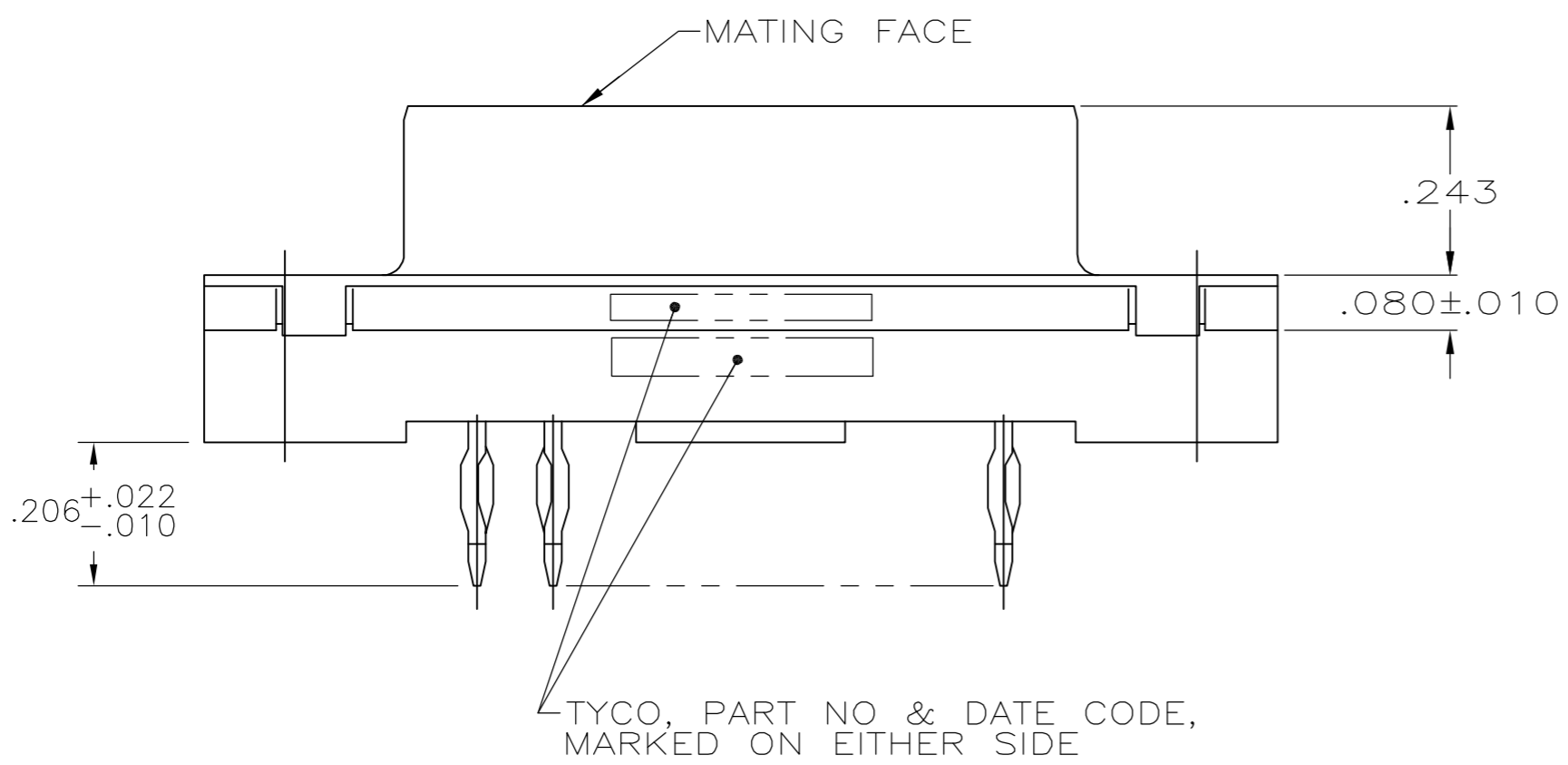


THIS DRAWING IS UNPUBLISHED. RELEASED FOR PUBLICATION  
 © COPYRIGHT 2006 BY TYCO ELECTRONICS CORPORATION. ALL RIGHTS RESERVED.

LOC	DIST	REVISIONS					
GP	00	P	LTR	DESCRIPTION	DATE	DWN	APVD
		A		RELEASED PER EC 0513-0024-05	08MAR06	GP	JG



- 1 RECOMMENDATIONS FOR .093 MIN THICK PC BOARD:
  - A. HOLE DIAMETER AFTER DRILLING=.045±.001.
  - B. HOLE DIAMETER AFTER TIN PLATING= .037-.043.
  - C. HOLE DIAMETER AFTER REFLOW= .036-.043.
  - D. PC BOARD PLATING TO BE .000300 MIN TIN OVER .002±.001 COPPER.
- 2 MATERIAL:
  - HOUSING: GLASS-FILLED NYLON OR POLYESTER, UL94V-0 RATED, COLOR: BLACK.
  - CONTACTS: COPPER ALLOY.
  - SHELL: CARBON STEEL.
- 3 FINISH:
  - CONTACTS: .000030 MIN GOLD ON MATING SURFACES.
  - .000100 MIN TIN ON COMPLIANT PIN, ALL OVER
  - .000050 MIN NICKEL.
  - SHELLS: .000200 MIN TIN OVER .000100 MIN COPPER.



RECOMMENDED PC BOARD HOLE LAYOUT 1

5747140-2  
PART NUMBER

THIS DRAWING IS A CONTROLLED DOCUMENT.		DWN G.PETERS/DTI 08MAR06	Tyco Electronics Corporation Harrisburg, PA 17105-3608	
DIMENSIONS: INCHES		CHK S.BOLASH 08MAR06		
TOLERANCES UNLESS OTHERWISE SPECIFIED:		APVD M.WALMSLEY 08MAR06	NAME	
0 PLC ± -		PRODUCT SPEC	RECEPTACLE ASSEMBLY, ACTION-PIN, 15 POSITION, HD-20, AMPLIMITE	
1 PLC ± -		108-40014	SIZE CAGE CODE DRAWING NO RESTRICTED TO	
2 PLC ± -		APPLICATION SPEC	A2 00779 C=5747140	
3 PLC ± .005		WEIGHT -	SCALE SHEET REV	
4 PLC ± -		CUSTOMER DRAWING	4:1 1 of 1 A	
ANGLES ± -				
FINISH				

5747140