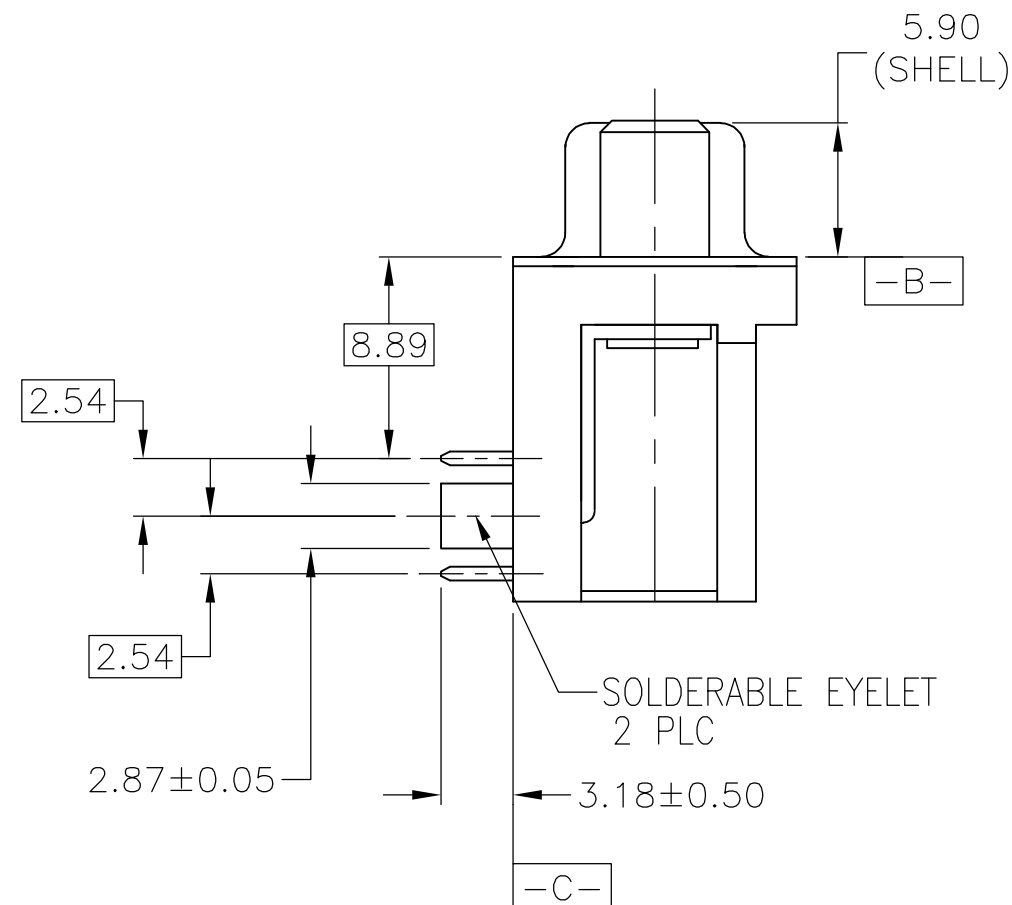
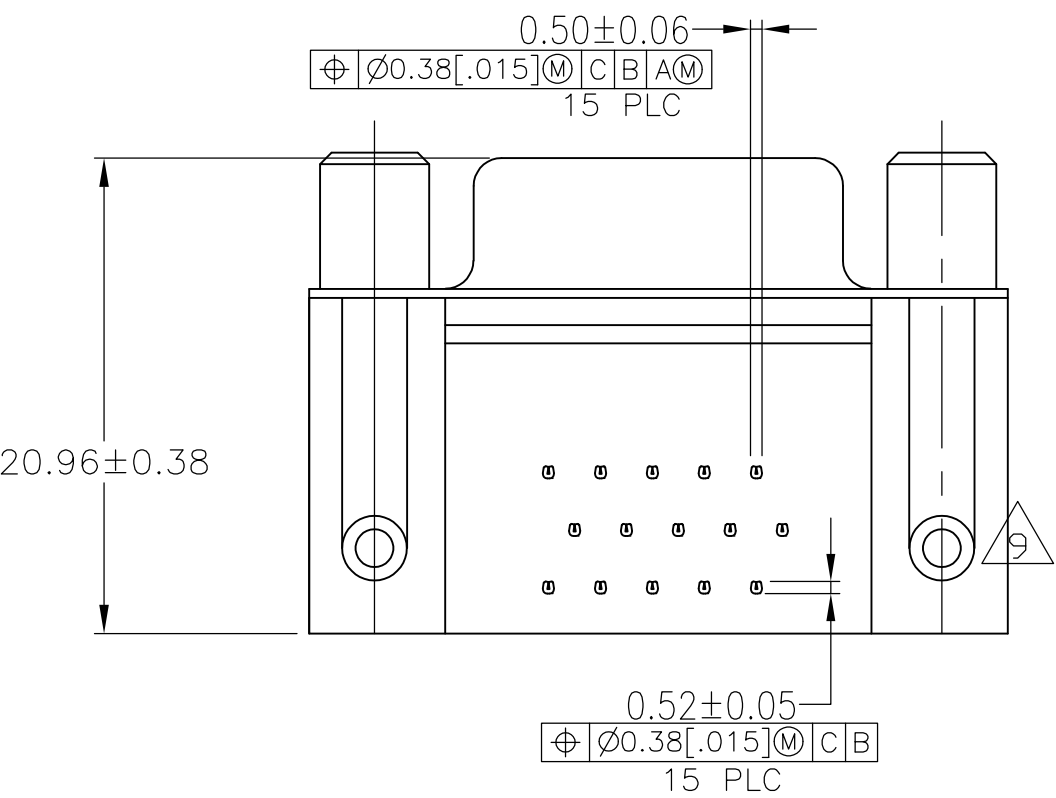
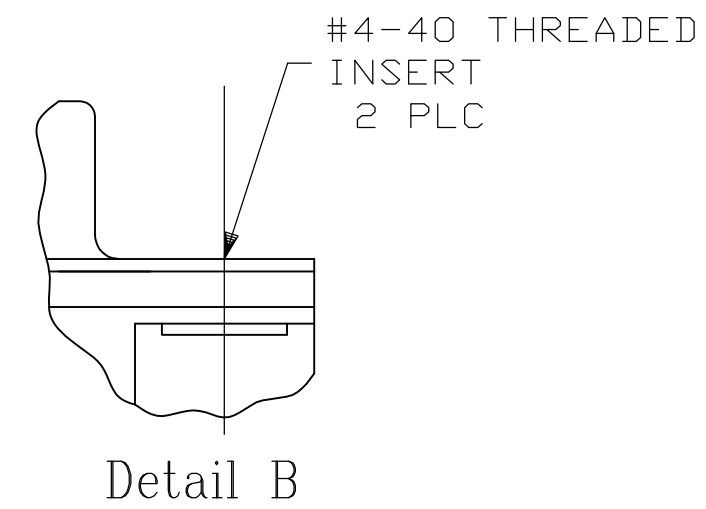
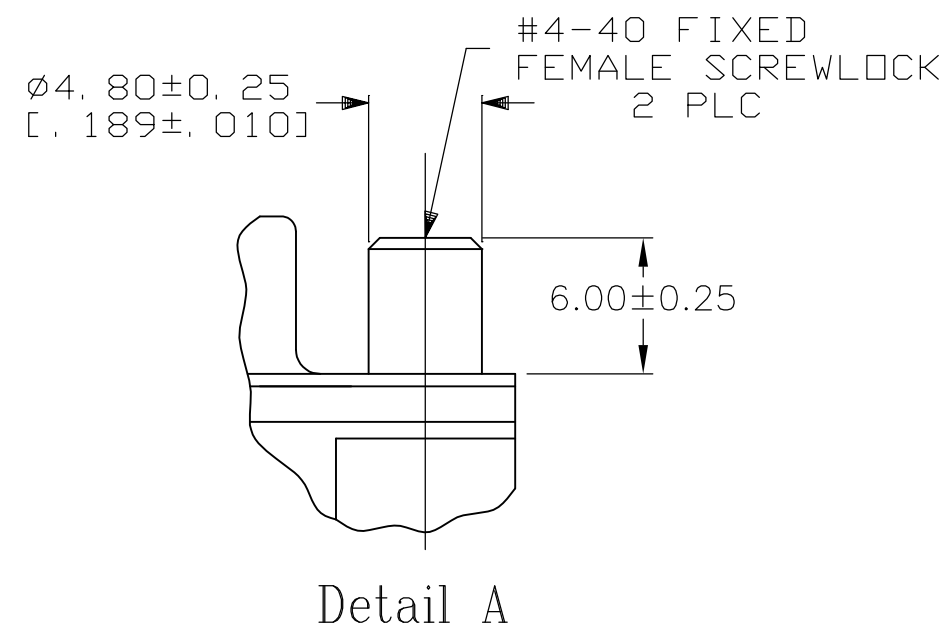
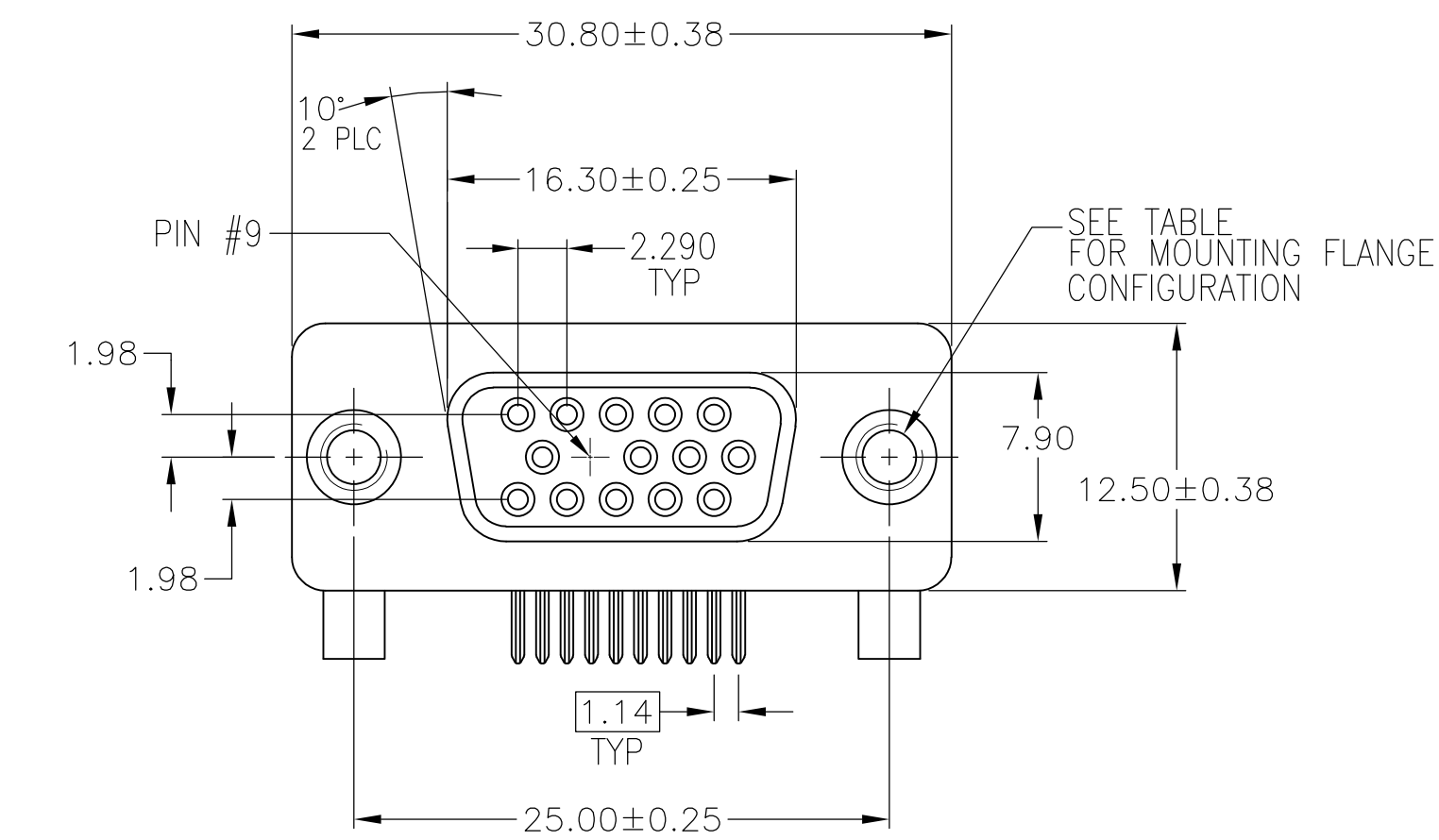
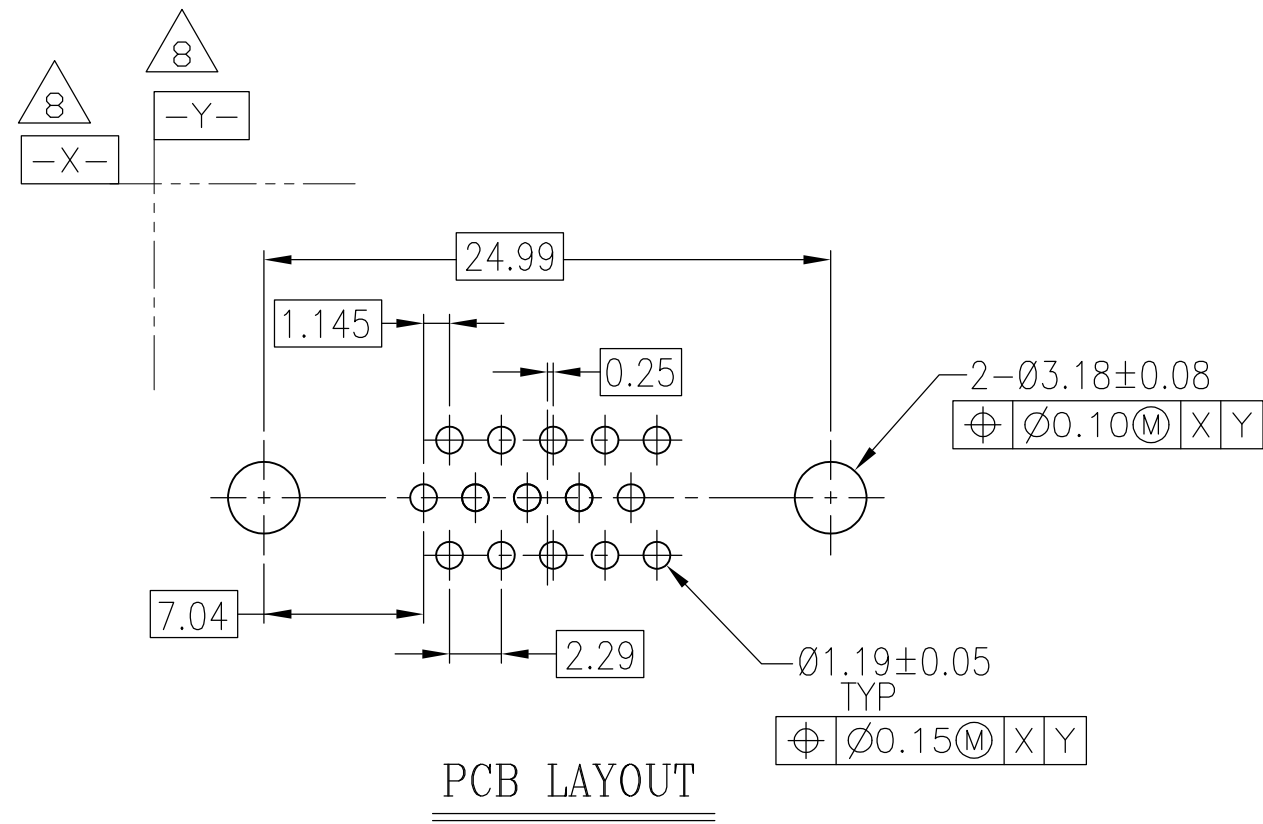
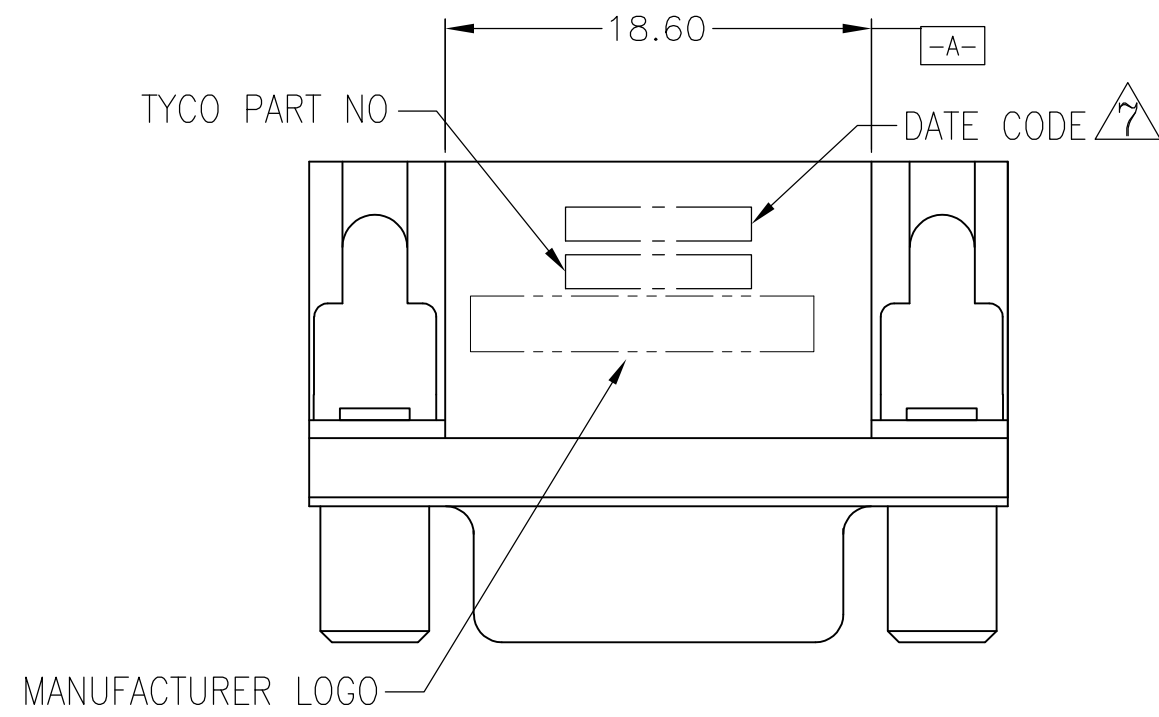


THIS DRAWING IS UNPUBLISHED. RELEASED FOR PUBLICATION  
 © COPYRIGHT BY TYCO ELECTRONICS CORPORATION. ALL RIGHTS RESERVED.

LOC		DIST		REVISIONS			
P	LTR	DESCRIPTION		DATE	DWN	APVD	
GP	00	E		REV PER ECO-09-014885	29JUN2009	CR	SB



- HOUSING MATERIAL: PBT, GLASS FILLED, BLACK, UL 94V-0 RATED.
- CONTACT MATERIAL: PHOSPHOR BRONZE.
- CONTACT FINISH: GOLD PLATE IN MATING AREA (SEE TABLE), 120µ" MIN TIN PLATE ON SOLDER TAIL, BOTH OVER 50µ" MIN NICKEL UNDERPLATE.
- SHELL: STEEL, NICKEL PLATE.
- BOARDLOCK: BRASS, 100µ" MIN TIN PLATE.
- FEMALE SCREWLOCKS/ THREADED INSERTS: BRASS, NICKEL PLATE.

△ FOUR DIGIT DATE CODE IN THIS FORMAT.

Year 01 45 Manufacturing Week

△ DATUMS -X- & -Y- TO BE ESTABLISHED BY CUSTOMER.

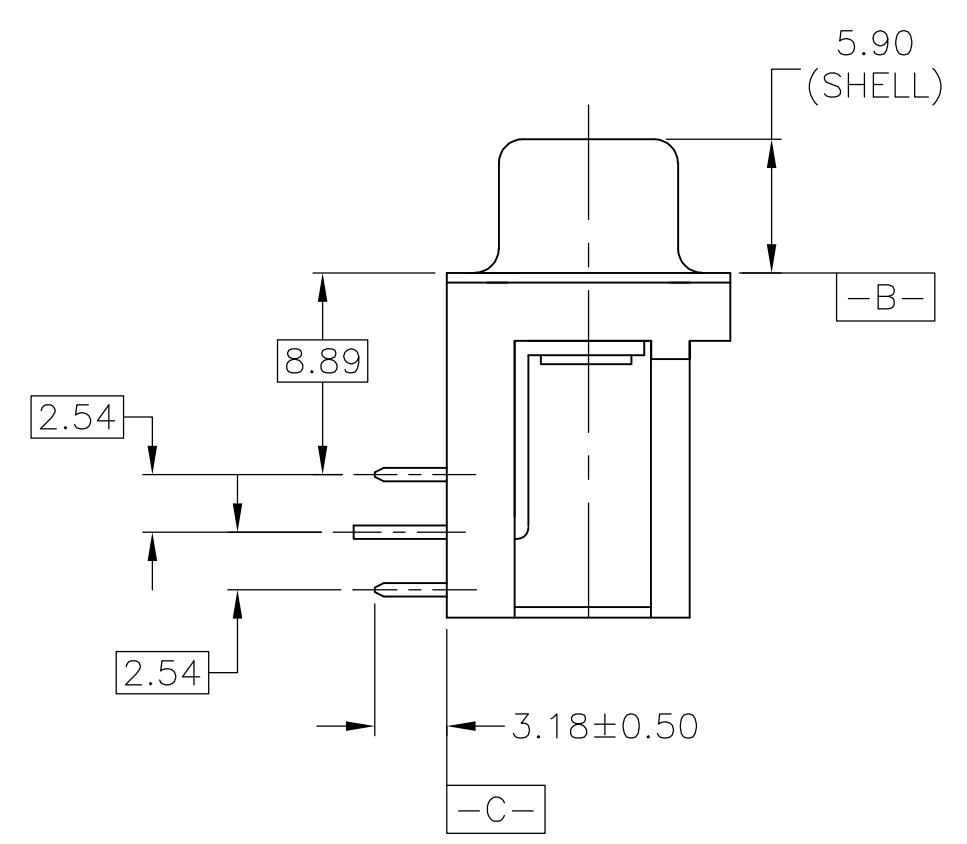
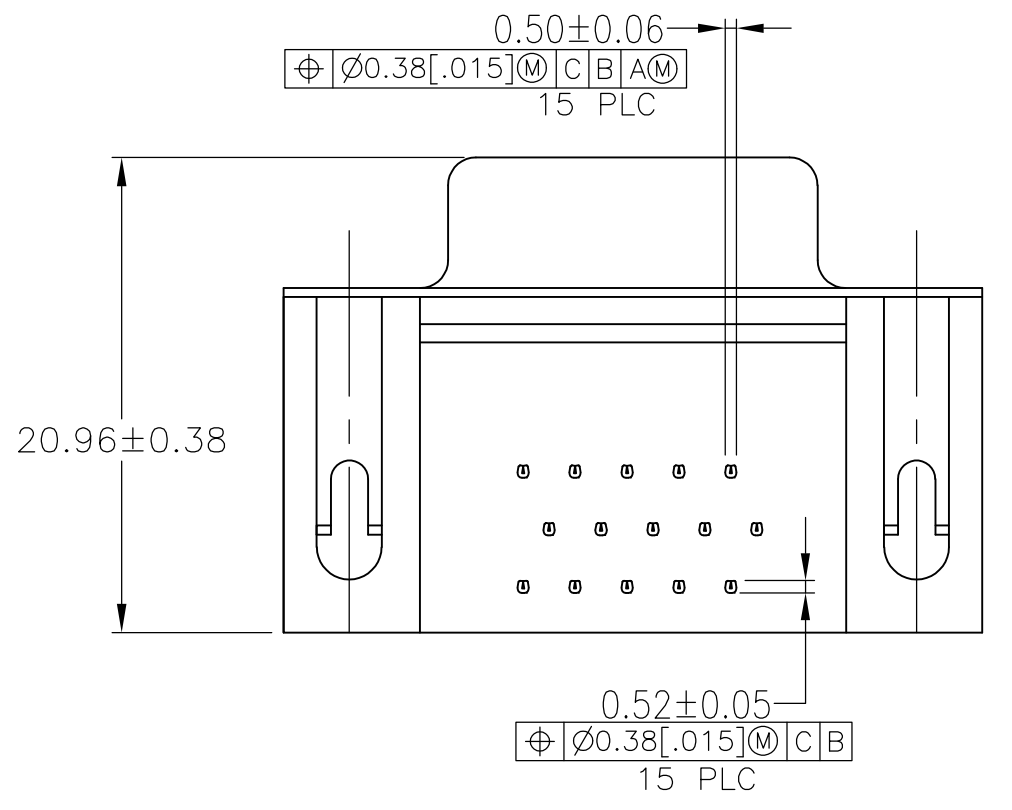
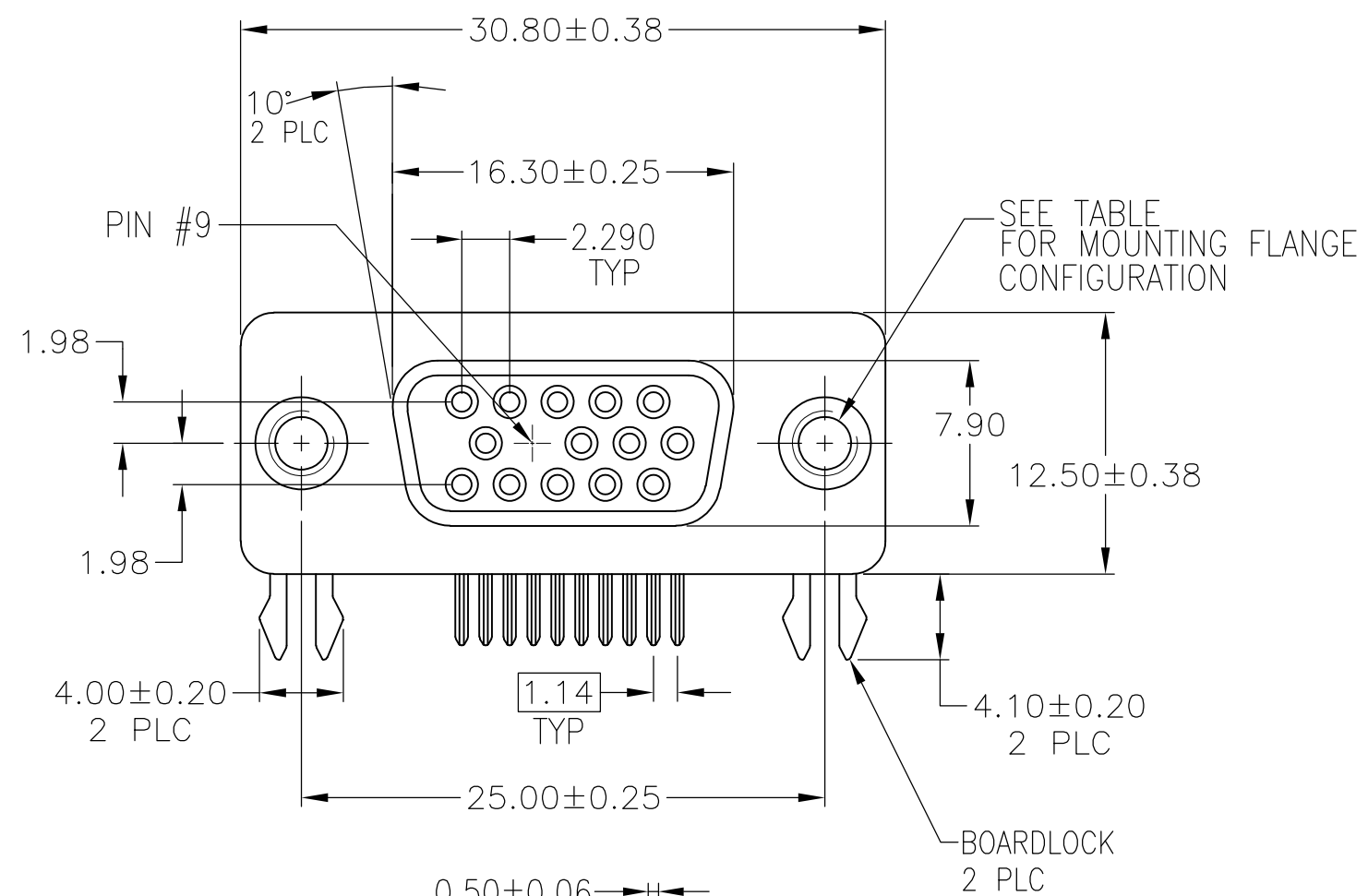
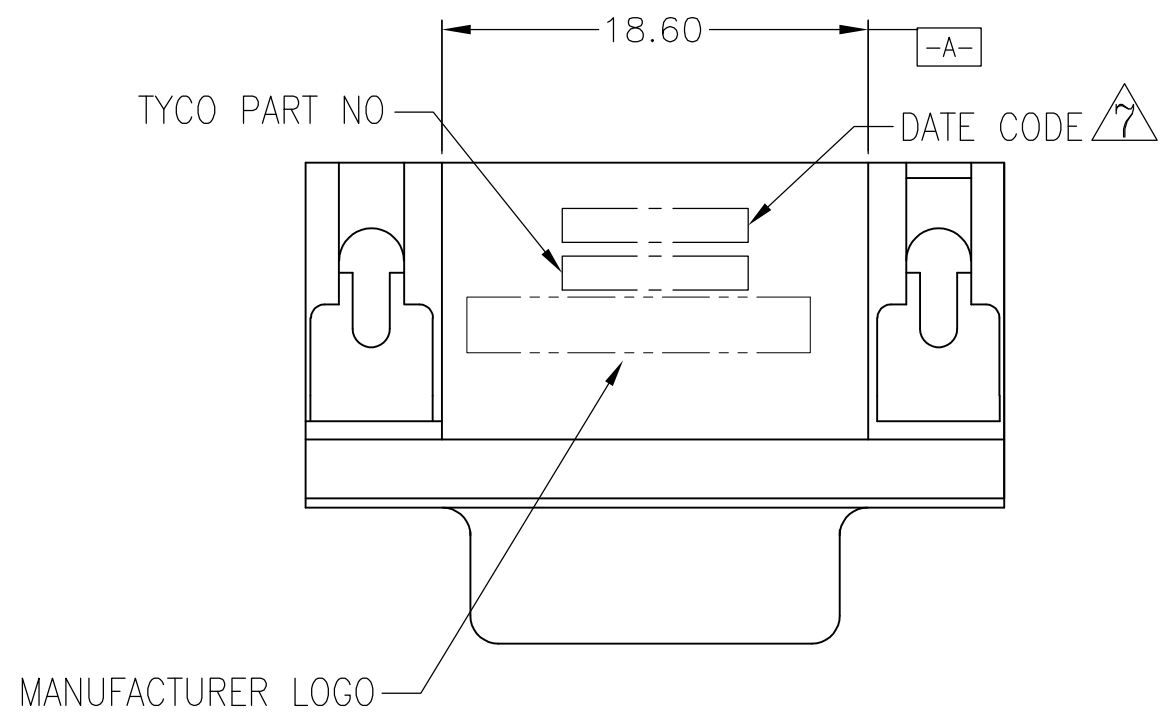
3-5748389-4, & 3--5 SHOWN

OBSOLETE	Yes	No	Tray	Detail B	Gold flash	3-5748389-7
	Yes	No	Tray	Detail B	15µ" MIN	3-5748389-6
	No	Yes	Tray	Detail A	Gold flash	3-5748389-5
	No	Yes	Tray	Detail A	15µ" MIN	3-5748389-4
	Yes	No	Tray	Detail B	30µ" MIN	5748389-7
	Boardlock	Solderable Eyelet	Packaging	Mounting Flange Configuration	Contact Mating Area Finish	Part Number

THIS DRAWING IS A CONTROLLED DOCUMENT.		DWN B. MCMASTER 14SEP05	Tyco Electronics Corporation Harrisburg, PA 17105-3608	
DIMENSIONS: mm		CHK S. BOLASH 14SEP05	NAME M. WALMSLEY	
TOLERANCES UNLESS OTHERWISE SPECIFIED:		APVD M. WALMSLEY 14SEP05	PRODUCT SPEC 108-1092	
0 PLC ± -		APPLICATION SPEC 114-13198		SIZE A2
1 PLC ± 0.30		WEIGHT -		CAGE CODE 00779
2 PLC ± 0.20		CUSTOMER DRAWING		DRAWING NO C=5748389
3 PLC ± 0.10		SCALE 3:1		SHEET 1 OF 2
4 PLC ± -		RESTRICTED TO -		REV E
4 ANGLES ± 2°				
FINISH -				

THIS DRAWING IS UNPUBLISHED. RELEASED FOR PUBLICATION  
 © COPYRIGHT BY TYCO ELECTRONICS CORPORATION. ALL RIGHTS RESERVED.

LOC	DIST	REVISIONS			
P	LTR	DESCRIPTION	DATE	DWN	APVD
GP	00	SEE SHEET 1	-	-	-



5748389-7, 3-5748389-6, & 3--7 SHOWN

THIS DRAWING IS A CONTROLLED DOCUMENT.		DWN B. MCMASTER 14SEP05	Tyco Electronics Corporation Harrisburg, PA 17105-3608	
DIMENSIONS: mm		CHK S. BOLASH 14SEP05	NAME	
TOLERANCES UNLESS OTHERWISE SPECIFIED:		APVD M. WALMSLEY 14SEP05	AMPLIMITE HD-22, 15 POSITION RECEPTACLE, RIGHT ANGLE CAVITY #9 MOLDED	
0 PLC ± -		PRODUCT SPEC	SIZE A2	CAGE CODE 00779
1 PLC ± 0.30		APPLICATION SPEC	DRAWING NO C=5748389	RESTRICTED TO
2 PLC ± 0.20		108-1092	-	
3 PLC ± 0.10		114-13198	SCALE 3:1	SHEET 2 OF 2
4 PLC ± -		WEIGHT -	REV E	
ANGLES ± 2°		CUSTOMER DRAWING		
FINISH -				