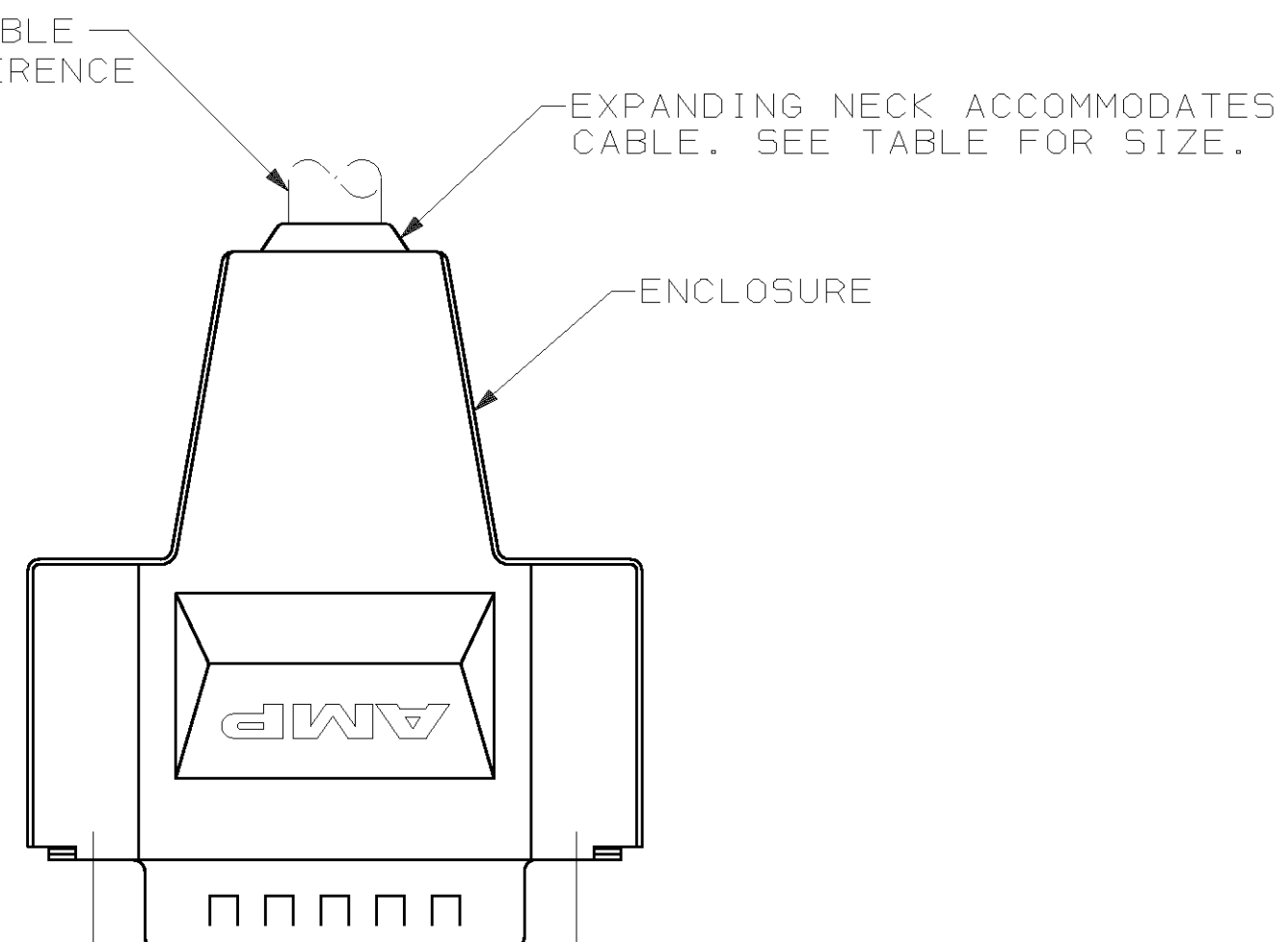
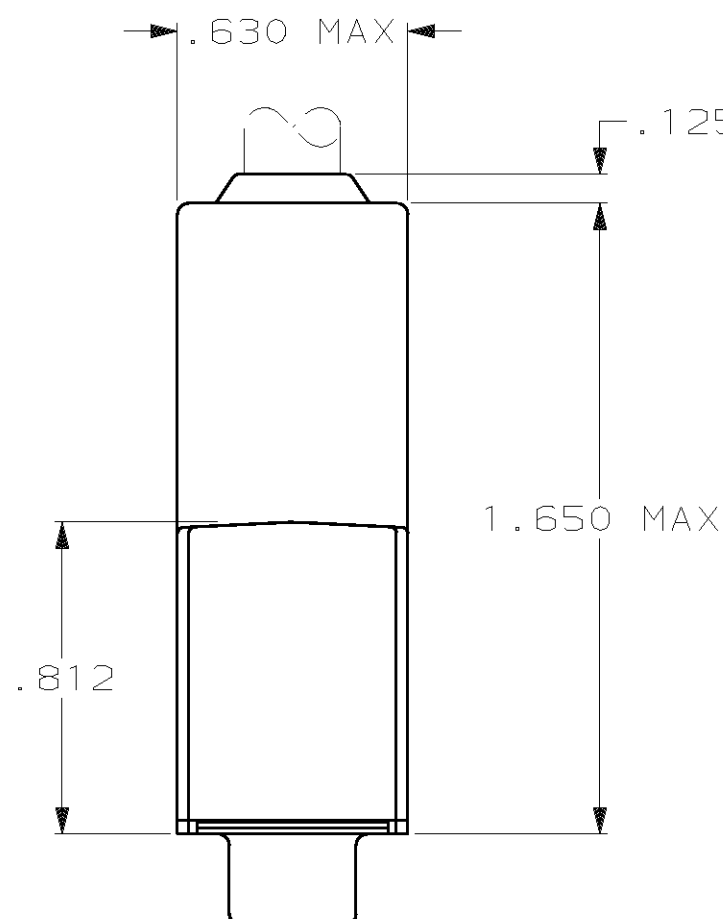
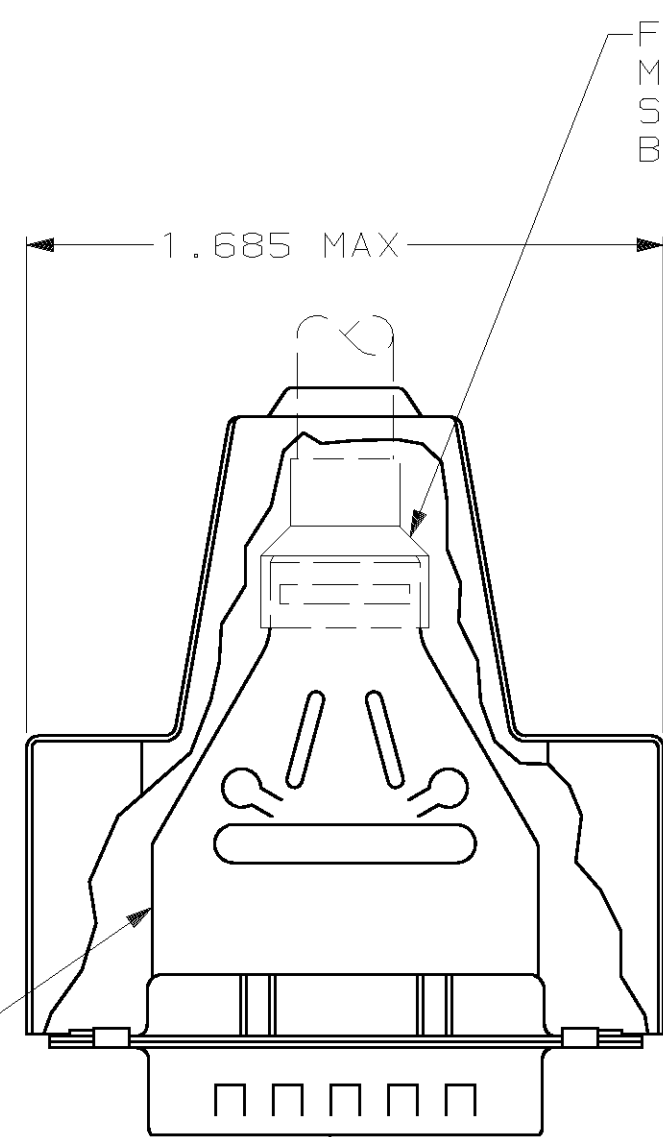
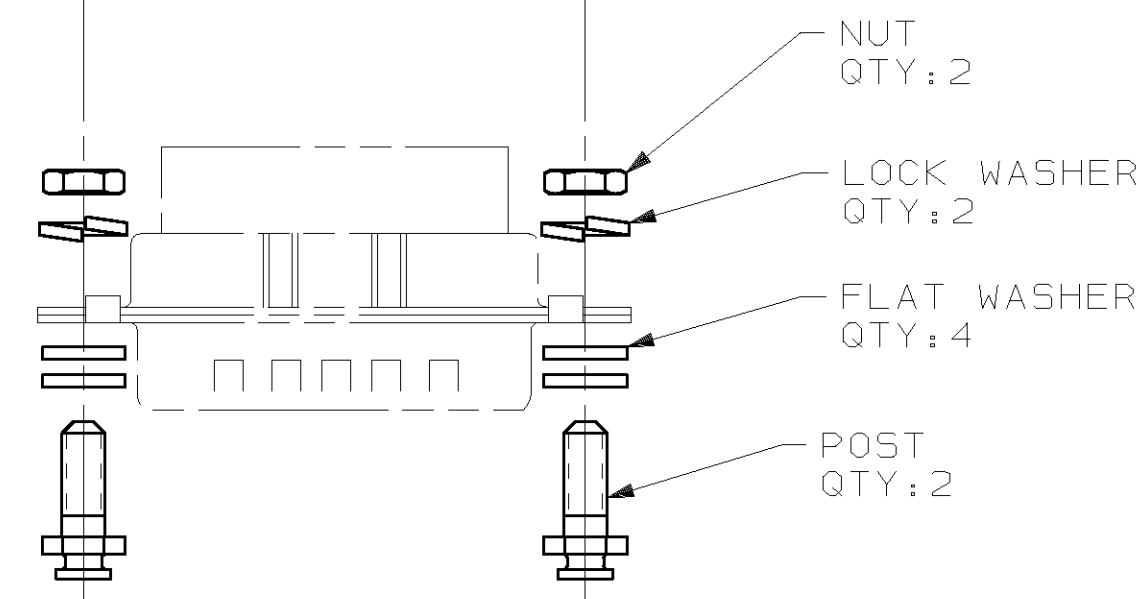
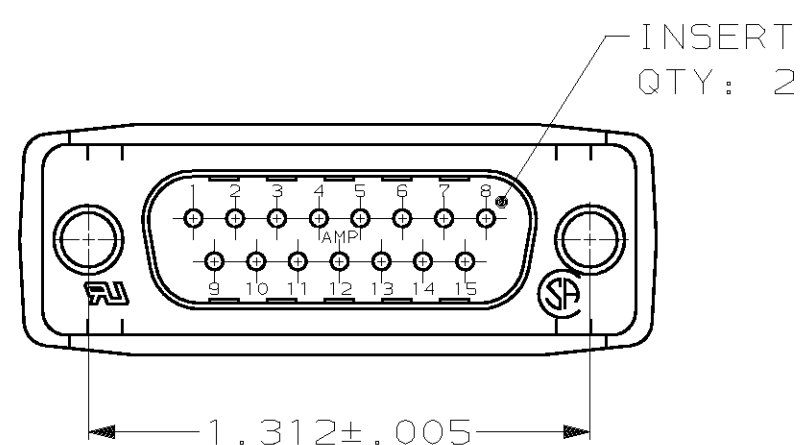


THIS DRAWING IS UNPUBLISHED. RELEASED FOR PUBLICATION ,19 .  
 © COPYRIGHT 19 BY AMP INCORPORATED. ALL INTERNATIONAL RIGHTS RESERVED.

LOC		DIST		REVISIONS				DATE	APPD
BD	48	P	F	ZONE	LTR	DESCRIPTION			
				G		REV PER EC 0U1D-0260-00	13 SEP 01	JR	



1 PLUG ASSEMBLY, HDP-20



- 1 PLUG ACCEPTS SIZE 20 DF PIN CONTACTS. CONTACTS MUST BE PURCHASED SEPARATELY.
- 2. ALL PARTS SHIPPED UNASSEMBLED.
- 3. COMPONENTS INDIVIDUALLY BULK PACKAGED.
- 4 ELASTOMER, STYRENE POLYOLEFIN, OR PVC, BLACK.
- 5 CLEAR CHROMATE OVER ZINC.
- 6 FLAME RETARDANT, 94V-0 RATED, GLASS FILLED, NYLON, BLACK.
- 7 CARBON STEEL PER ASTM A109.
- 8 .000200 MIN TIN OVER .000050 MIN COPPER, PER MIL-T-10727.

	OBSOLETE	.250-.425 DIA	749245-2
	SUPERSEDED BY 747954-1	.190-.375 DIA	749245-1
		CABLE SIZE	PART NO

DO NOT SCALE PRINT. UNLESS SPECIFIED DIMENSIONS IN INCHES TOLERANCES ON : 2 PLC DEC ± - 3 PLC DEC ± .020 ANGLES ± -	DR 11-9-88 W.LENKER	AMP INCORPORATED Harrisburg, Pa. 17105	
	CHK 12-12-88 J.MCCLINTON		
MATERIAL INSERTS: 6 ENCLOSURE: 4 HARDWARE, SHIELDS & SHELLS: 7	APPD 12-13-88 R.WHYNE	NAME SHIELDING ENCLOSURE KIT, PLUG, SIZE 2, 15 POSITION, LOCKING POSTS, AMPLIMITE™, HDP-20	
FINISH SHELLS: 8 SHIELDS: 8 HARDWARE: 5	APPD 12-13-88 J.SHOWERS	PRODUCT SPEC -	
	APPLICATION SPEC -	SIZE C	FSCM NO 00779
	WEIGHT -	SCALE 2:1	DRAWING NO 749245
			SHEET 1 OF 1