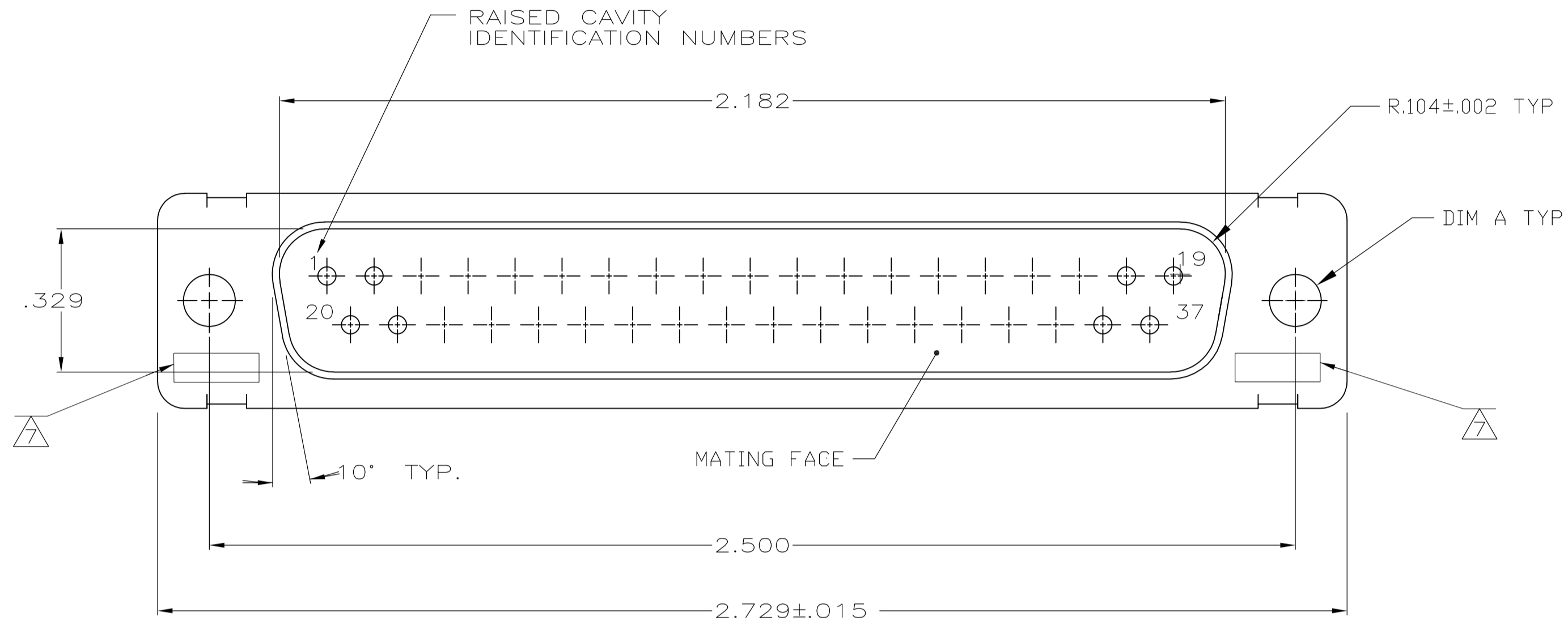
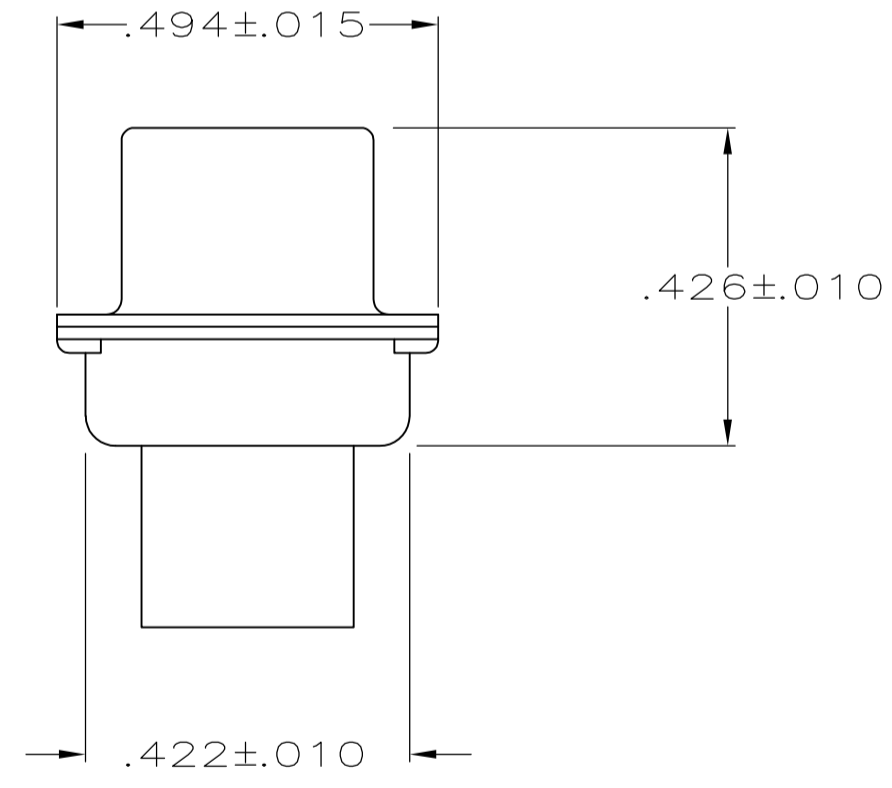
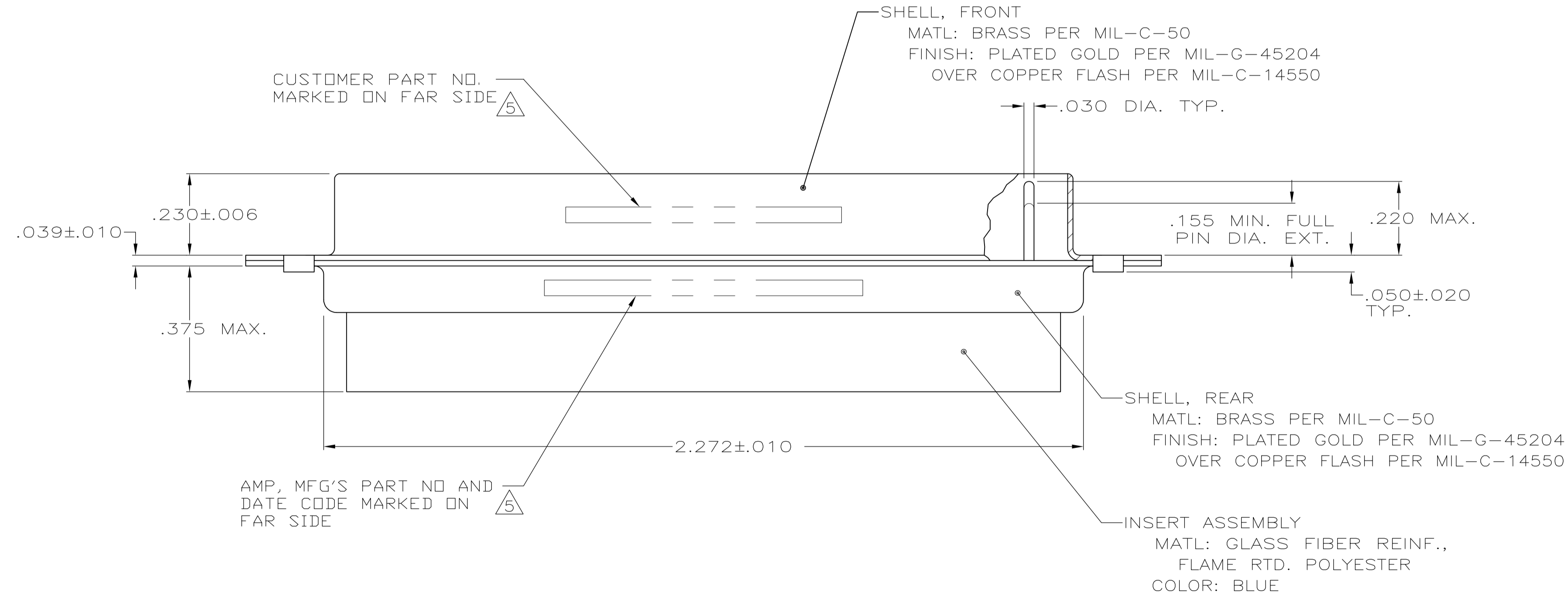


LOC		DIST		REVISIONS			
P	LTR	DESCRIPTION	DATE	DWN	APVD		
K		REV PER ECO 08-016786	12-16-08	CT	BW		



- ⚠ THIS PLUG WILL MATE WITH ANY RECEPTACLE CONNECTOR WITH THE SAME INSERT ARRANGEMENT AS DEFINED BY MS18275-1.
- 2. MAXIMUM WIRE INSULATION TO BE USED WITH THIS PLUG IS .072 DIA.
- 3. BERYLLIUM COPPER RETENTION CLIPS (37) ARE INCLUDED IN INSERT ASSEMBLY.
- 4. CONNECTOR SUPPLIED WITHOUT CONTACTS; SHOWN FOR ILLUSTRATION ONLY.
- ⚠ FAR SIDE REFERS TO WIDE SIDE OF KEYSTONE.
- ⚠ THESE CONNECTORS ARE QUALIFIED TO GODDARD SPACE FLIGHT CENTER SPECIFICATION S-311-P-4.
- ⚠ UL/CSA DESIGNATION STAMPED IN THIS AREA, OPTIONAL.
- ⚠ RESTRICTED TO CAE ELECTRONICS ONLY.



REMARKS	DIA A	MARKED CUSTOMER P/N	MARKED AMP P/N	AMP P/N
OBSOLETE	⚠	.120 570513-9	206802-6	206802-6
	⚠	.120 311P409-4P-B-12	206802-2	206802-5
	⚠	.120 122137P37P	206802-4	206802-4
	⚠	.154 -	206802-3	206802-3
	⚠	.120 311P409-4P-B-12	206802-2	206802-2
		.154 311P409-4P-B-15	206802-1	206802-1

THIS DRAWING IS A CONTROLLED DOCUMENT.

DIMENSIONS: INCHES. TOLERANCES UNLESS OTHERWISE SPECIFIED:

0. PLC	± .005
1. PLC	± .005
2. PLC	± .005
3. PLC	± .005
4. PLC	± .005
ANGLES	± .005

MATERIAL: SEE CALLOUTS. FINISH: SEE CALLOUTS.

THIS DRAWING IS A CONTROLLED DOCUMENT. DWG: T.WIEST 12-9-88. CHK: F.BALLEW 1-26-88. APVD: F.BALLEW 1-26-88. NAME: Tyco Electronics Corporation, Harrisburg, PA 17105-3608.

PRODUCT SPEC: PLUG FOR PIN CONTACTS, HI-DENSITY, HDM CONNECTOR, SIZE 4, (37 POSITION).

APPLICATION SPEC: ---

SIZE: A1. CAGE CODE: 00779. DRAWING NO: 206802. WEIGHT: ---. RESTRICTED TO: ---.

CUSTOMER DRAWING. SCALE: 4:1. SHEET: 1 OF 1. REV: K.