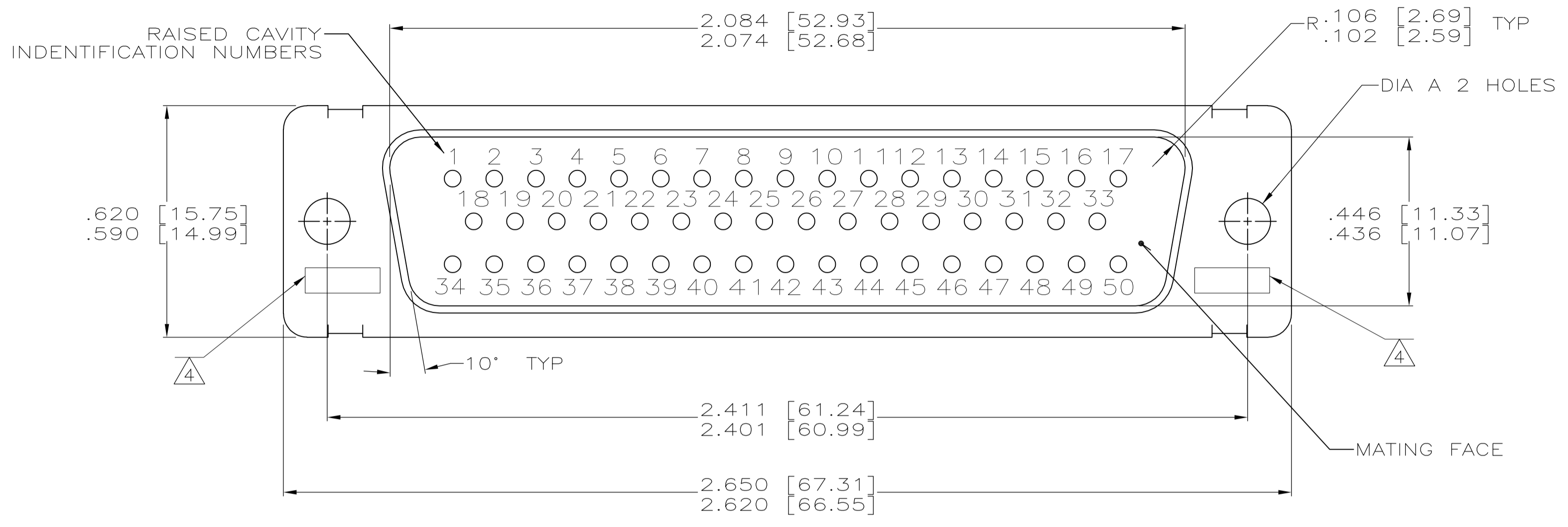
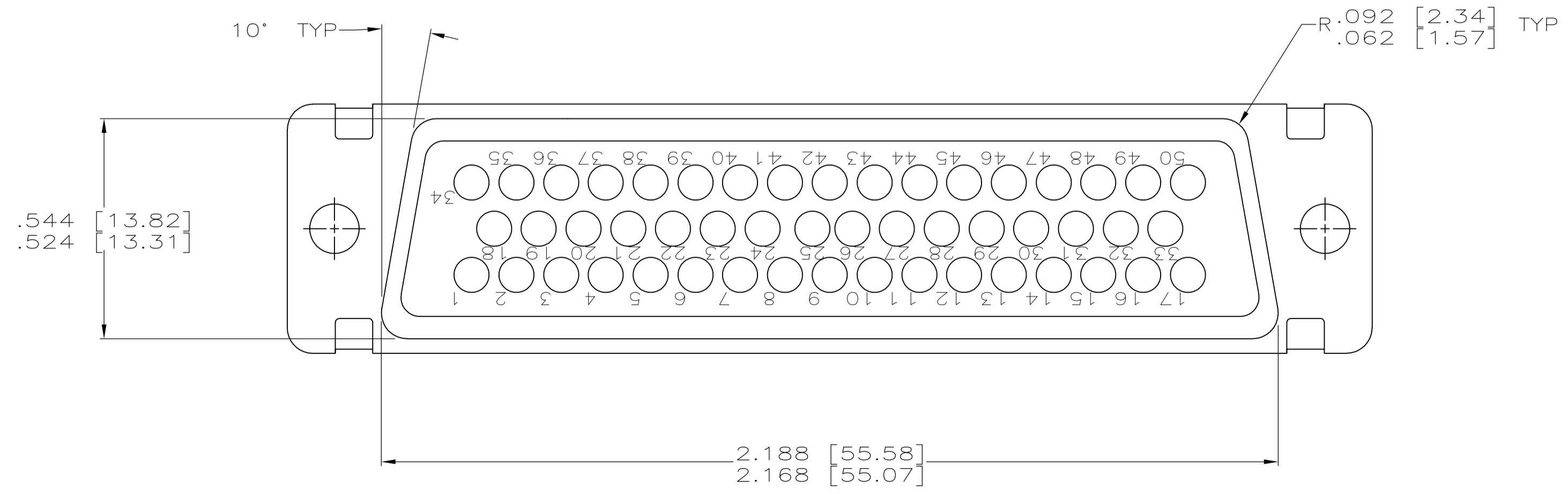
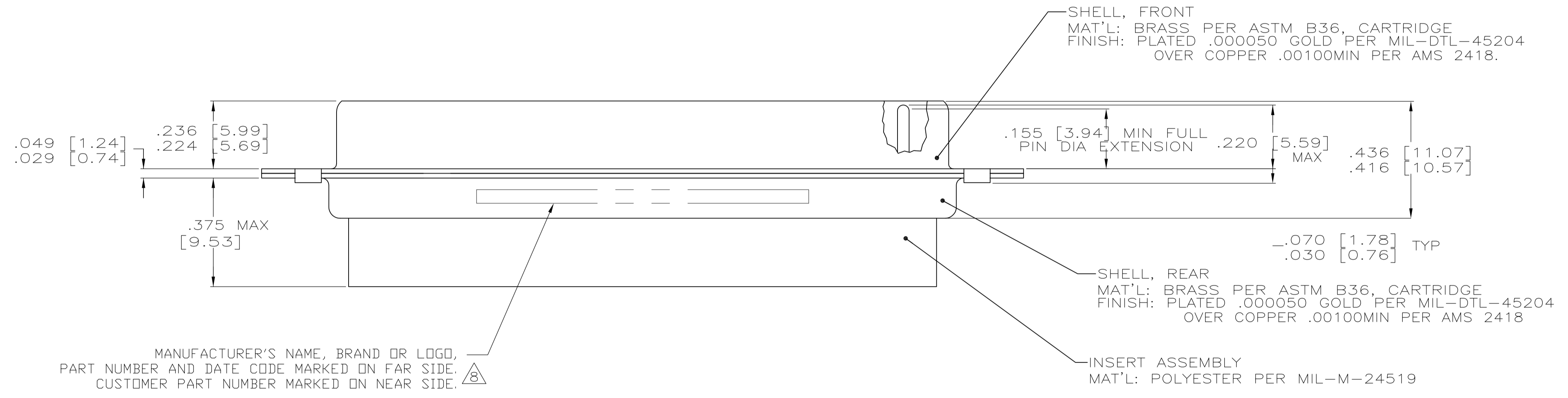


LOC		DIST		REVISIONS			
P	LTR	DESCRIPTION	DATE	DN	APVD		
J		REV PER ECO 09-001200	21JAN2009	PK	RL		



1. THIS PLUG WILL MATE WITH ANY RECEPTACLE CONNECTOR WITH THE SAME INSERT ARRANGEMENT AS DEFINED BY MS18277-1.
 2. MAXIMUM WIRE INSULATION USED WITH THIS PLUG IS .072 [1.83] DIA.
 3. Be-Cu RETENTION CLIPS ARE INCLUDED IN INSERTS.
 4. UL/CSA DESIGNATION STAMPED IN THIS AREA, OPTIONAL.
 5. RESTRICTED TO CAE ELECTRONIC ONLY.
 6. THESE CONNECTORS ARE QUALIFIED TO GODDARD SPACE FLIGHT CENTER SPECIFICATION S-311-P-4.
 7. CONTACT NOT INCLUDED - SHOWN FOR DIMENSIONAL REFERENCE ONLY.
8. FAR SIDE REFERS TO WIDE SIDE OF KEYSTONE.



5/6	.120 [3.05]	1A01-031PHA	206804-5	206804-5
5/6	.120 [3.05]	311P409-5P-B-12	206804-2	206804-4
	.154 [3.91]	N/A	206804-3	206804-3
6	.120 [3.05]	311P409-5P-B-12	206804-2	206804-2
6	.154 [3.91]	311P409-5P-B-15	206804-1	206804-1
REMARKS	DIA A	CUSTOMER P/N ON CONNECTOR	MFG P/N ON CONNECTOR	MFG P/N

THIS DRAWING IS A CONTROLLED DOCUMENT.		DN AJ GRAFF 12-23-92	Tyco Electronics Corporation Harrisburg, PA 17105-3608	
DIMENSIONS: INCHES		CHK B GILLMAN 12-24-92	NAME	
TOLERANCES UNLESS OTHERWISE SPECIFIED:		APVD	PRODUCT SPEC	
0 PLC	± -	MIL-C-24308		
1 PLC	± -	APPLICATION SPEC		
2 PLC	± -	SIZE	CAGE CODE	DRAWING NO
3 PLC	± -	—	—	—
4 PLC	± -	—	—	—
ANGLES	± -	WEIGHT	—	—
MATERIAL	SEE CALLOUTS	FINISH	SEE CALLOUTS	—
CUSTOMER DRAWING		SCALE	4:1	SHEET 1 OF 1 REV J