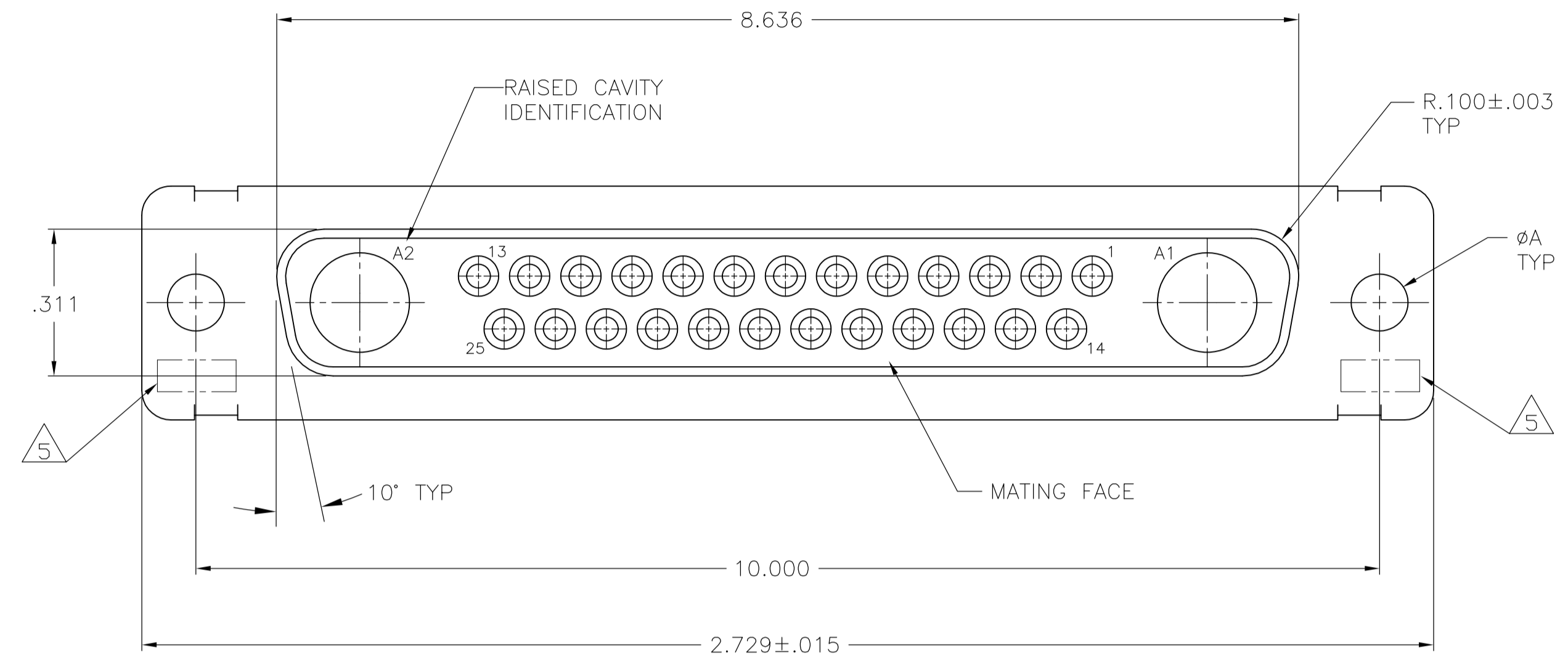
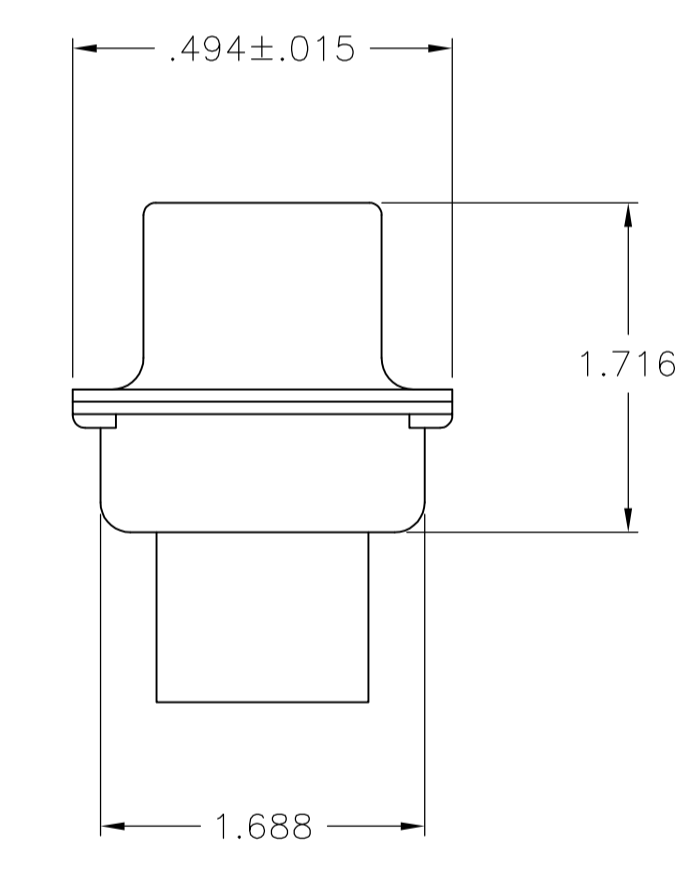
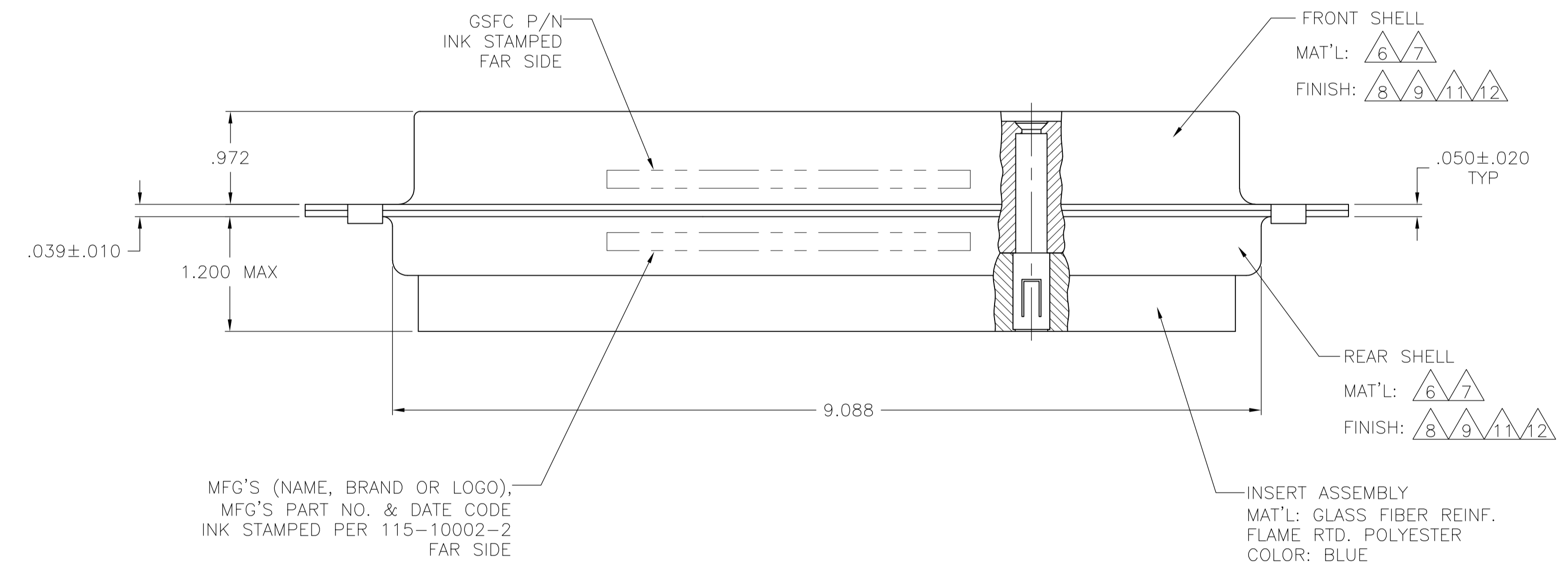


LOC		DIST		REVISIONS			
DF	DO	REV	DATE	BY	CHK	APPV	
		J	21-03-09	CT	RL		
		REVISED PER ECO-09-013174					



1. THIS RECEPTACLE WILL MATE WITH ANY 27C2, SIZE 4 PLUG IN AMPLIMITE SERIES.
  2. MAXIMUM WIRE INSULATION TO BE USED WITH THIS RECEPTACLE IS  $\phi$ .068.
  3. THIS CONNECTOR ACCEPTS (2) POWER 8, OR COAX SOCKET CONTACTS IN POSITIONS A1 THRU A2, PURCHASED SEPARATELY.
  4. THIS CONNECTOR ACCEPTS SIZE 20 SOCKET SIGNAL CONTACTS IN POSITIONS 1 THRU 25, PURCHASED SEPARATELY.
5. UL/CSA DESIGNATION STAMPED IN THIS AREA, OPTIONAL.
6. STEEL PER ASTM-A-109.
7. BRASS PER MIL-C-50 AND ASTM-B-36 UNS NO. C26000.
8. FINISH: CADMIUM PLATED PER QQ-P-416.
9. GOLD PLATED PER MIL-G-45204 TYPE II, GRADE C, CLASS 1 OVER COPPER PER MIL-C-14550, CLASS IV.
10. FINISH: TIN PER ASTM-B-545 .000200 MIN THK OVER COPPER PER AMS2418 .000100-.000200 THK.
11. FINISH: TIN PER ASTM-B-545 .000200 MIN THK OVER COPPER PER AMS2418 .000100-.000200 THK.
12. FINISH: ZINC PLATE PER ASTM-B-633 .000200-.000400 THK WITH SUPPLEMENTARY CHROMATE (Cr3+).



REMARKS	ØA	GSFC P/N	PART NO.
6, 11	.120	-	5-212542-4
6, 12	.120	-	5-212542-1
6, 10	.120	-	212542-4
7, 9	.154	311P405-21S-B-15	212542-3
7, 9	.120	311P405-21S-B-12	212542-2
6, 8	.120	-	212542-1

THIS DRAWING IS A CONTROLLED DOCUMENT.

DIMENSIONS: INCHES	TOLERANCES UNLESS OTHERWISE SPECIFIED:	0 PLC ± -	1 PLC ± -	2 PLC ± -	3 PLC ± .005(0.13)	4 PLC ± -	ANGLES ± 0°30'
--------------------	--	-----------	-----------	-----------	--------------------	-----------	----------------

APPROVED: A. EMADI	DATE: 27JAN88	BY: C.C. THOMAS	DATE: 21JAN88
DESIGNED: A. EMADI	DATE: 27JAN88	NAME: Tyco Electronics Corporation	ADDRESS: Harrisburg, PA 17105-3608
PRODUCT SPEC: RECEPTACLE ASSEMBLY AMPLIMITE 27C2 SIZE 4, SERIES 109, COAX MIX		SIZE: A1	CAGE CODE: 00779
APPLICATION SPEC: -		SCALE: 4:1	SHEET: 1 OF 1
MATERIAL: -		WEIGHT: -	REV: J
FINISH: -		CUSTOMER DRAWING	