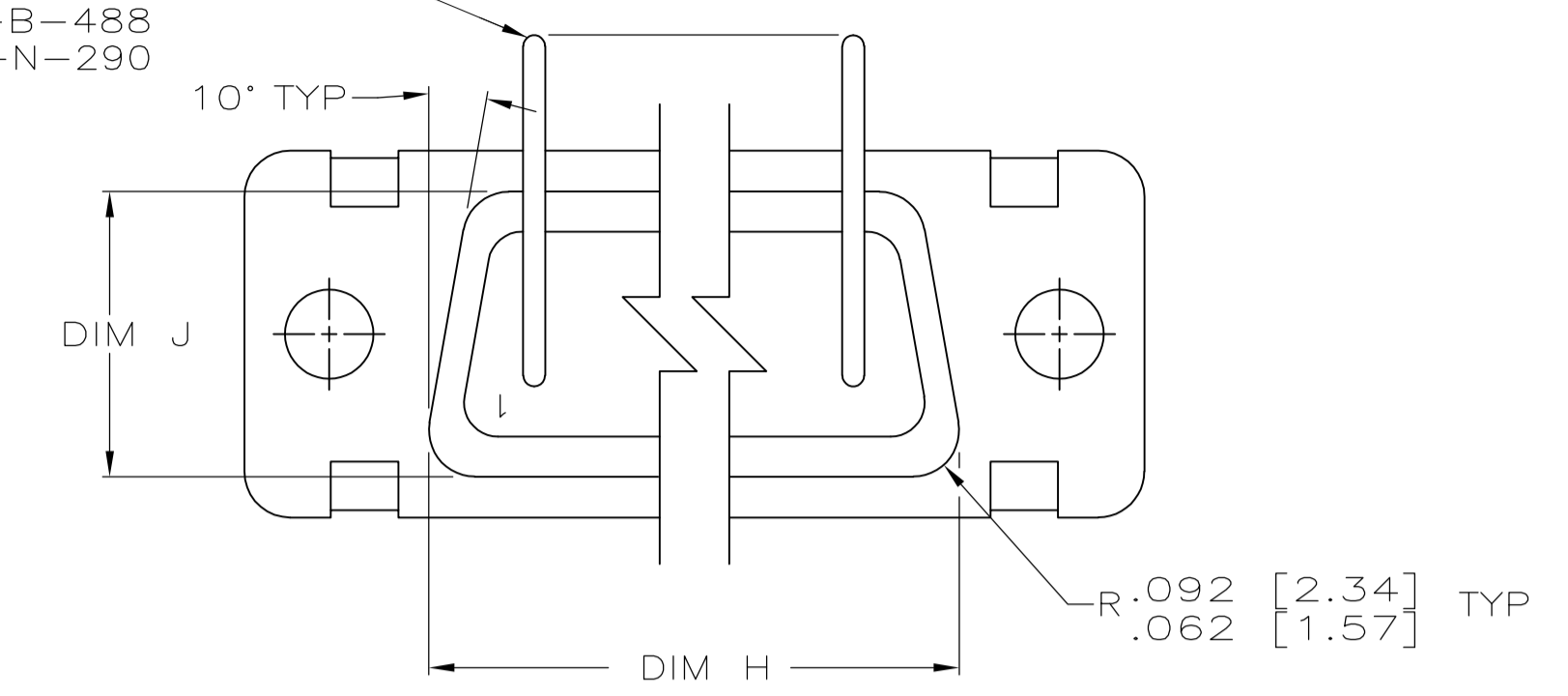
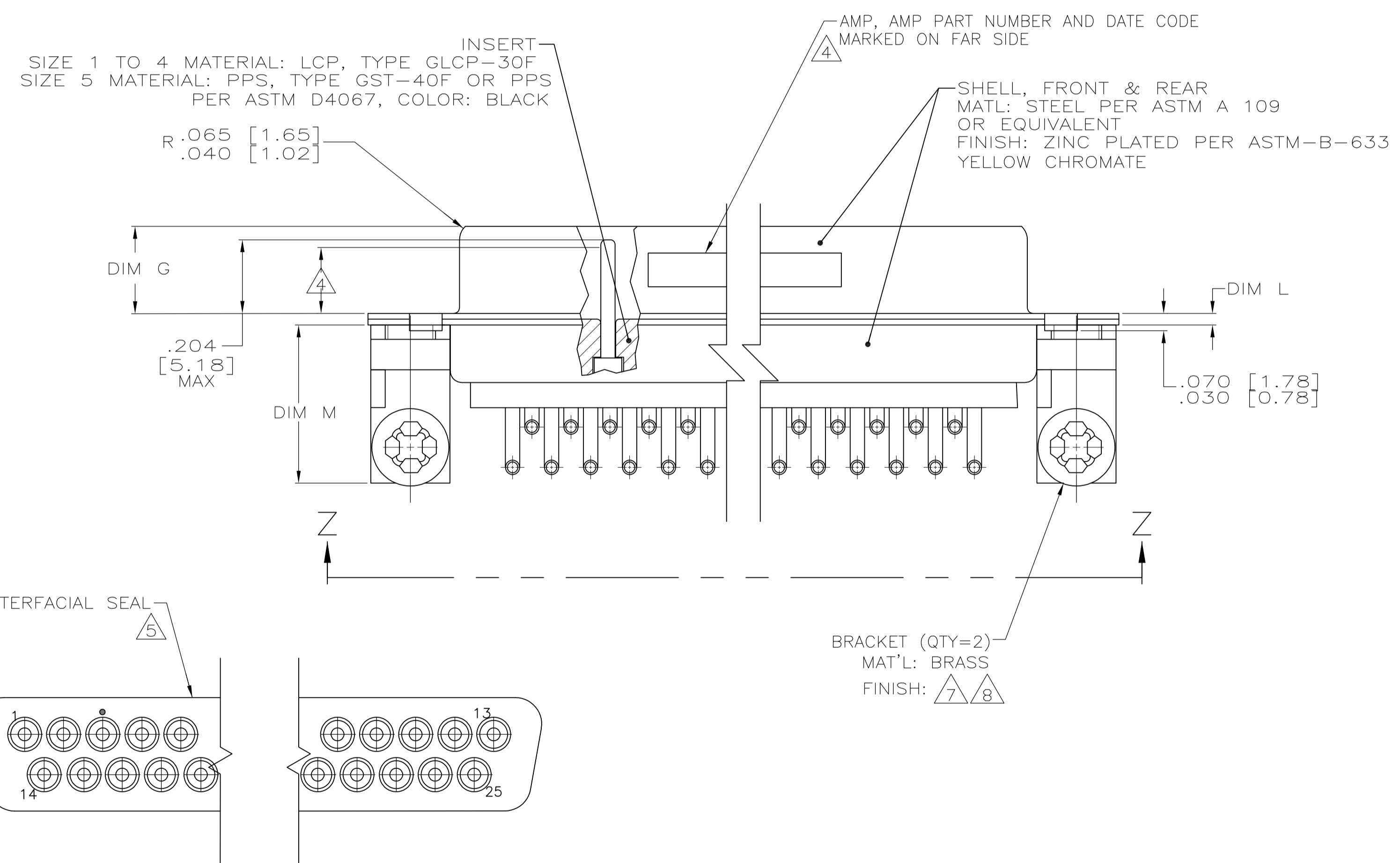


PIN CONTACT (QTY=POSN)
 MAT'L: BRASS ALLOY PER ASTM-B-16
 OR BERYLLIUM COPPER
 FINISH: PLATED GOLD PER ASTM-B-488
 OVER NICKEL PLATE PER QQ-N-290



VIEW Z-Z
 SHOWN WITH BRACKET AND ALIGNMENT BOARD AND CLINCH NUTS REMOVED FOR CLARITY



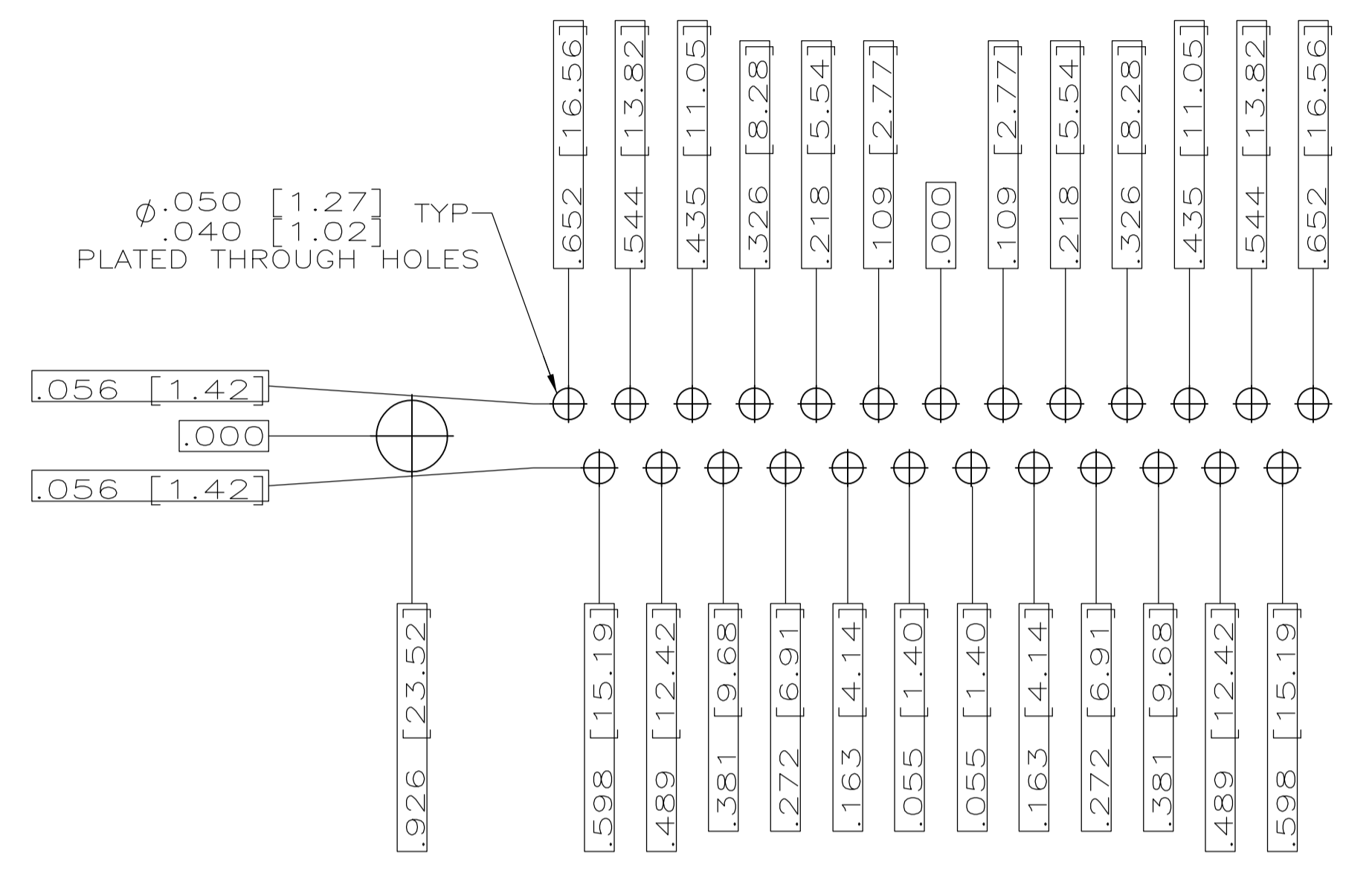
- 1 TRUE POSITION TOLERANCE FOR P.C.BOARD LAYOUT (ON SHEET #2) IS .010 [0.25] AT MAX MATERIAL CONDITION. SUGGESTED BOARD THICKNESS IS .093 [2.36]
- 2 THE CONNECTOR DESCRIBED IN THIS DOCUMENT WILL MATE WITH ANY RECEPTACLE CONNECTOR WITH THE SAME INSERT ARRANGEMENT.
- 3 MARKED WITH .047 [1.19]-.062 [1.57] HIGH CHARACTERS. FAR SIDE REFERS TO THE WIDE SIDE OF THE KEYSTONE. NEAR SIDE REFERS TO THE NARROW SIDE OF THE KEYSTONE. IF THE FRONT SHELL IS TOO SMALL FOR "AMP", AMP PART NUMBER AND DATE CODE, THEN SPLIT SHALL BE AS FOLLOWS:
 A. AMP PART NUMBER ON REAR SHELL, NEAR SIDE.
 B. "AMP" AND DATE CODE ON FRONT SHELL, NEAR SIDE.
- 4 REQUIREMENT FOR FULL PIN DIAMETER EXTENSION:
- 5 .150 [3.81] MIN FOR SHELL SIZE 3 & 5.
- 6 INTERFACIAL SEAL IS NOT INSTALLED; BULK PACKAGED SEPARATELY.
- 7 FINISH: MATTE TIN-LEAD OVER NICKEL PLATE.
- 8 FINISH: MATTE TIN OVER NICKEL PLATE.
- 9 ALTERNATE CLINCH NUT (QTY=2): CLINCH NUT, #4-40 FEMALE THREADS MAT'L: CARBON STEEL FINISH: ZINC PLATED, YELLOW CHROMATE

REMARKS	DIM M	DIM L	DIM J	DIM H	DIM G	DIM F	DIM E	DIM D	DIM C	DIM B	DIM A	INSERT ARRANGEMENT	NO OF POS	SHELL SIZE	AMP PART NO.
8	.498 [12.65] .490 [12.45]	.049 [1.24] .029 [0.74]	.544 [13.82] .524 [13.31]	2.188 [55.58] 2.168 [55.07]	.236 [5.99] .224 [5.69]	.436 [11.07] .416 [10.57]	.620 [15.75] .590 [14.99]	.446 [11.33] .436 [11.07]	2.411 [61.24] 2.401 [60.99]	2.084 [52.55] 2.074 [52.30]	2.650 [67.31] 2.620 [66.55]	MS18277-1	50	5	5-1218538-5
8	.443 [11.25] .435 [11.05]	.049 [1.24] .029 [0.74]	.432 [10.97] .412 [10.46]	1.635 [41.53] 1.615 [41.02]	.236 [5.99] .224 [5.69]	.436 [11.07] .416 [10.57]	.509 [12.93] .479 [12.17]	.334 [8.48] .324 [8.23]	1.857 [47.17] 1.847 [46.91]	1.539 [38.51] 1.529 [38.25]	2.103 [53.42] 2.073 [52.65]	MS18275-1	25	3	5-1218538-3
7 9	.498 [12.65] .490 [12.45]	.049 [1.24] .029 [0.74]	.544 [13.82] .524 [13.31]	2.188 [55.58] 2.168 [55.07]	.236 [5.99] .224 [5.69]	.436 [11.07] .416 [10.57]	.620 [15.75] .590 [14.99]	.446 [11.33] .436 [11.07]	2.411 [61.24] 2.401 [60.99]	2.084 [52.55] 2.074 [52.30]	2.650 [67.31] 2.620 [66.55]	MS18277-1	50	5	1218538-5
7 9	.443 [11.25] .435 [11.05]	.049 [1.24] .029 [0.74]	.432 [10.97] .412 [10.46]	1.635 [41.53] 1.615 [41.02]	.236 [5.99] .224 [5.69]	.436 [11.07] .416 [10.57]	.509 [12.93] .479 [12.17]	.334 [8.48] .324 [8.23]	1.857 [47.17] 1.847 [46.91]	1.539 [38.51] 1.529 [38.25]	2.103 [53.42] 2.073 [52.65]	MS18275-1	25	3	1218538-3

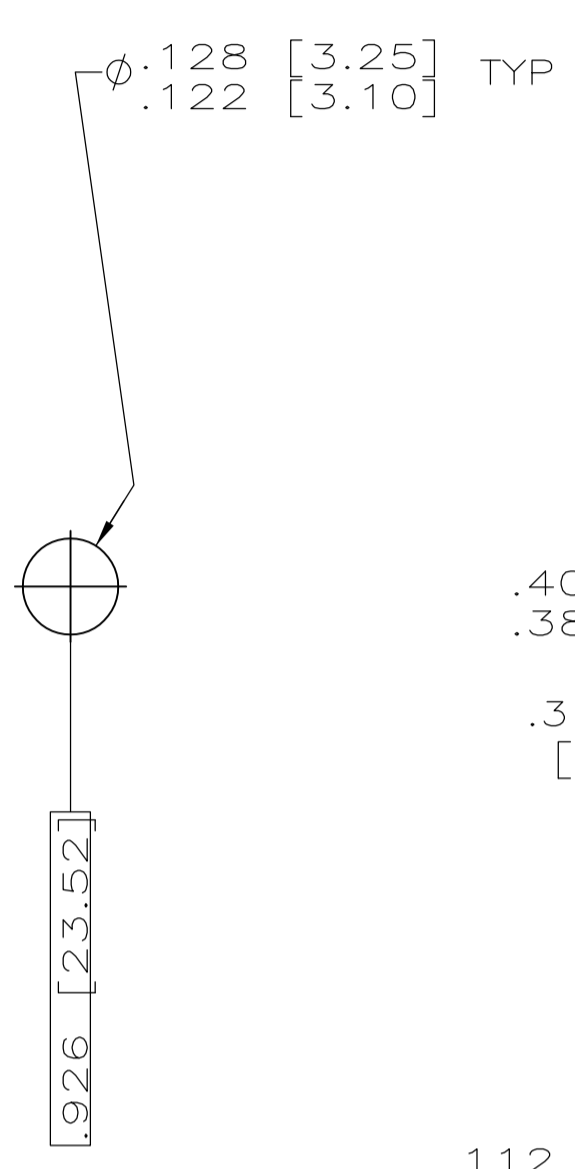
THIS DRAWING IS A CONTROLLED DOCUMENT.

DIMENSIONS: INCHES	TOLERANCES UNLESS OTHERWISE SPECIFIED:	DIN C.C.THOMAS 5-1-00	APPROVED: C. BAKER 5-1-00	NAME: C. BAKER	TYCO ELECTRONICS CORPORATION
	0 PLC ± -				Harrisburg, PA 17105-3608
	1 PLC ± -				
	2 PLC ± -				
	3 PLC ± -				
	4 PLC ± -				
	ANGLES ± ± 1°				
MATERIAL: SEE CALLOUTS	FINISH: SEE CALLOUTS	WEIGHT: -	SIZE: A1	CAGE CODE: 00779	DRAWING NO: 1218538
					RESTRICTED TO: -
					CUSTOMER DRAWING

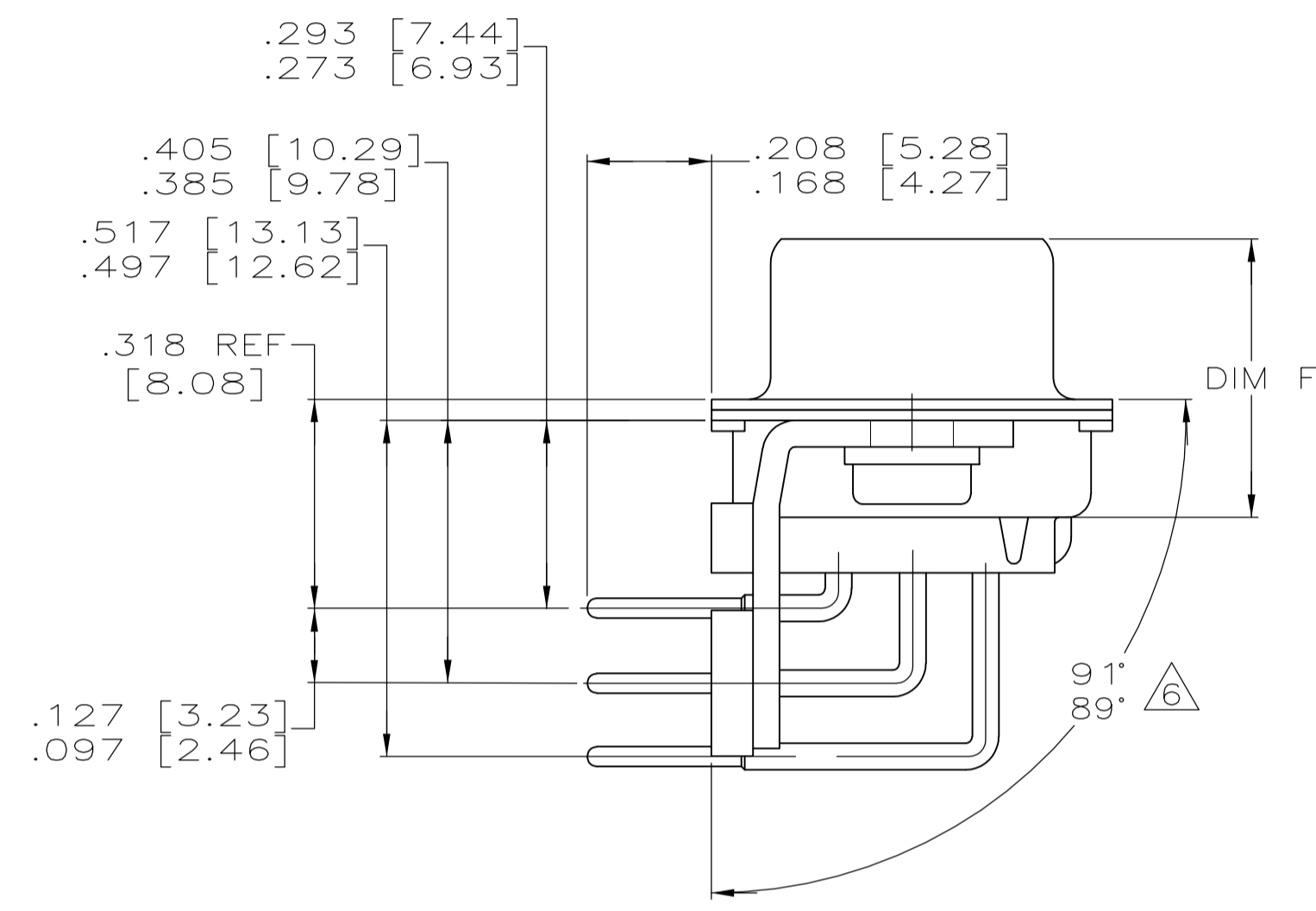
SCALE: 4:1 SHEET 1 OF 2 REV G



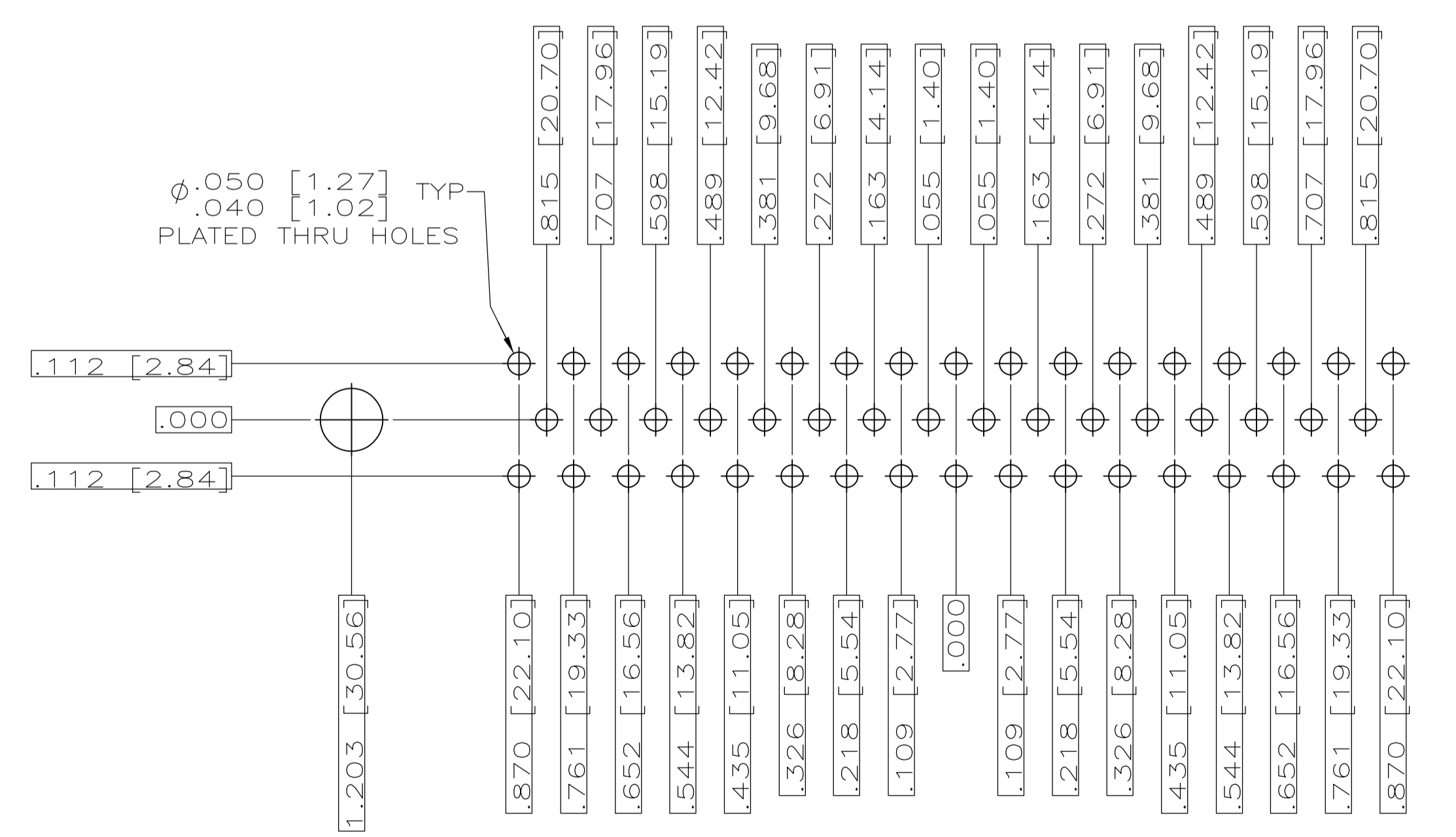
RECOMMENDED P.C. BOARD LAYOUT
 SHELL SIZE 3 (25 POSITION) \triangle



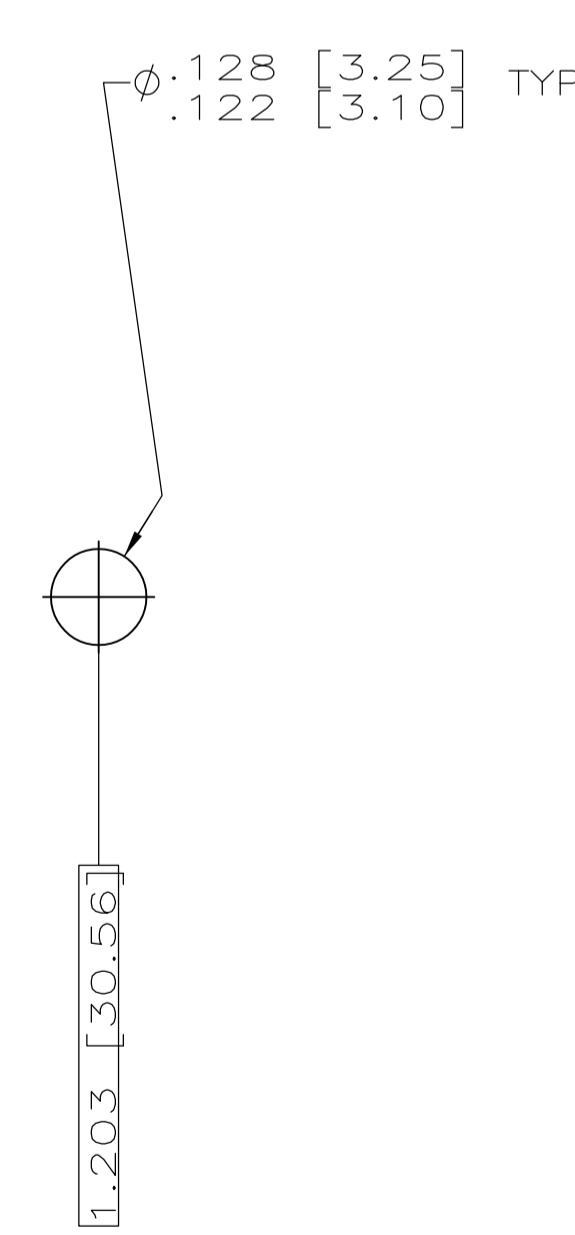
SHELL SIZE 3
 CONTACT CONFIGURATION
 BOARDLOCK REMOVED
 FOR CLARITY



SHELL SIZE 5
 CONTACT CONFIGURATION
 BOARDLOCK REMOVED
 FOR CLARITY



RECOMMENDED P.C. BOARD LAYOUT
 SHELL SIZE 5 (50 POSITION) \triangle



THIS DRAWING IS A CONTROLLED DOCUMENT.		DIN C.C.THOMAS 5-1-00	Tyco Electronics Corporation Harrisburg, PA 17105-3608																			
DIMENSIONS: INCHES		CHK C.BAKER 5-1-00	NAME PLUG ASSY,AMPLIMITE RIGHT ANGLE,SERIES 109, WITH ONE PIECE INSERT																			
TOLERANCES UNLESS OTHERWISE SPECIFIED:		APVO C.BAKER 5-1-00	RESTRICTED TO																			
<table border="1"> <tr><td>0 PLC</td><td>±</td><td>-</td></tr> <tr><td>1 PLC</td><td>±</td><td>-</td></tr> <tr><td>2 PLC</td><td>±</td><td>-</td></tr> <tr><td>3 PLC</td><td>±</td><td>-</td></tr> <tr><td>4 PLC</td><td>±</td><td>-</td></tr> <tr><td>ANGLES</td><td>±</td><td>1°</td></tr> </table>		0 PLC	±	-	1 PLC	±	-	2 PLC	±	-	3 PLC	±	-	4 PLC	±	-	ANGLES	±	1°	APPLICATION SPEC	SIZE A1	CAGE CODE 00779
0 PLC	±	-																				
1 PLC	±	-																				
2 PLC	±	-																				
3 PLC	±	-																				
4 PLC	±	-																				
ANGLES	±	1°																				
MATERIAL SEE CALLOUTS		FINISH SEE CALLOUTS	WEIGHT -	DRAWING NO 1218538																		
CUSTOMER DRAWING		SCALE 4:1	SHEET 2 OF 2	REV G																		