

Right-Angle, PCB Receptacles, Series 109, with One Piece Insert (Industrial Grade)

Material and Finish:

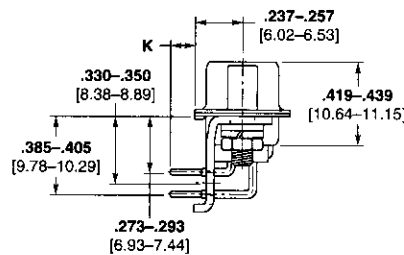
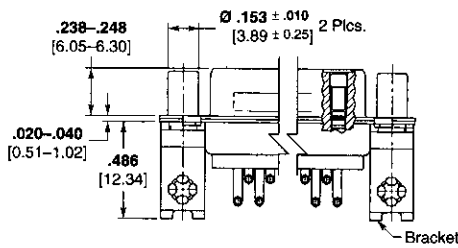
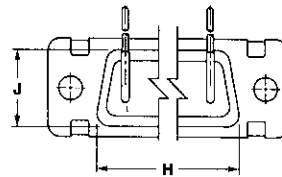
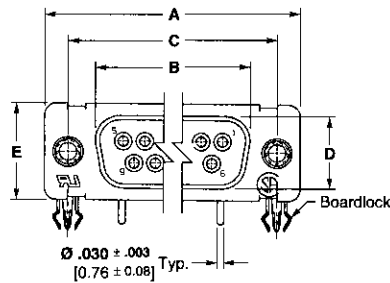
Shell — Steel, tin plated

Insert — Thermoplastic

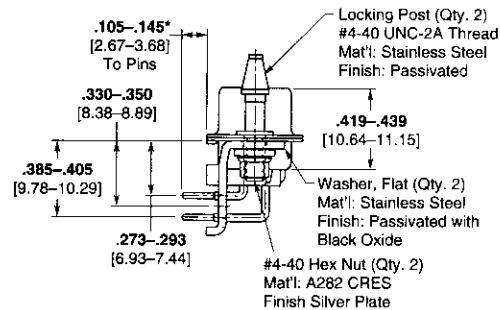
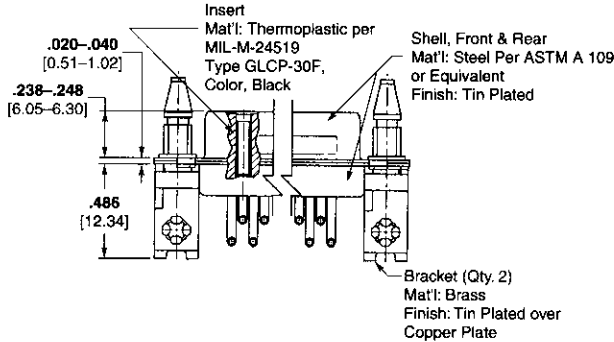
Contact Material — Brass or Beryllium copper

Contact Finish — Gold with .000010 [0.00025] min. gold over .000050 [0.00127] min. nickel underplate

9 Position



9 Position (with Locking Post)



*Signal Contacts are solder dipped with SnPb 63/37 to meet the requirements of MIL-DTL-24308, method 208.

Pin and Socket Connectors

MS Shell Size	Connector Style	Dimensions							Part Number	
		A	B	C	D	E	H	J		K
1	Receptacle	1.198/1.228	.638/.648	.979/.989	.306/.316	.479/.509	.749/.769	.412/.432	.105/.145 2.67/3.68	1218665-1
		30.43/31.19	16.21/16.46	24.87/25.12	7.77/8.03	12.17/12.93	19.02/19.53	10.46/10.97	.136/.176 3.45/4.47	1218665-6
										—