

THIS DRAWING IS UNPUBLISHED.

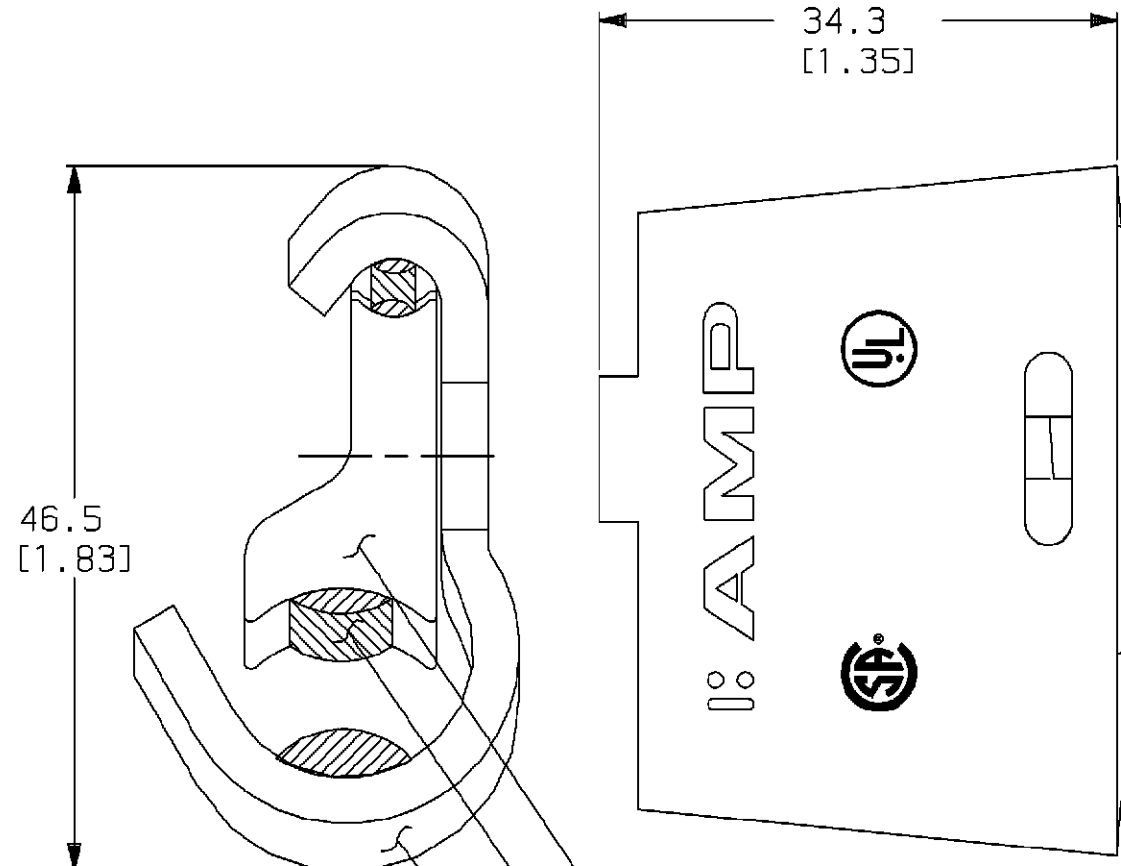
RELEASED FOR PUBLICATION ,19 .

© COPYRIGHT 19

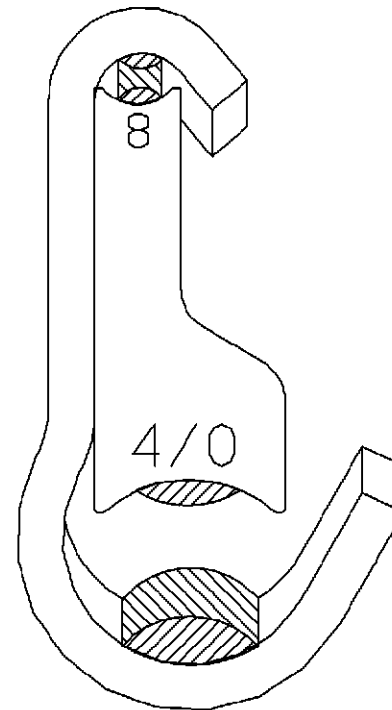
BY AMP OF CANADA LTD. ALL INTERNATIONAL RIGHTS RESERVED.

LOC	DIST	P	F	REVISIONS					
				ZONE	LTR	DESCRIPTION	DATE	DWN	APPD
BG	1				B	REV PER 2000-030-94	05APR94		RL
					C	REV PER LC00-0103-96	13MAR97	MS	GM

1 ALL DIMENSIONS ARE REFERENCE ONLY



WEDGE  
INHIBITOR  
'C' BODY



336.5 (WHITE)	TO	#4 (ORANGE)	2-83623-0
336.5 (WHITE)	TO	#6 (BLUE)	1-83623-9
336.5 (WHITE)	TO	#8 (GREEN)	1-83623-8
336.5 (WHITE)	TO	#10, 12, 14 (BROWN)	1-83623-7
266.8 (WHITE)	TO	#4 (ORANGE)	1-83623-6
266.8 (WHITE)	TO	#6 (BLUE)	1-83623-5
266.8 (WHITE)	TO	#8 (GREEN)	1-83623-4
266.8 (WHITE)	TO	#10, 12, 14 (BROWN)	1-83623-3
4/0 (PINK)	TO	#4 (ORANGE)	1-83623-2
4/0 (PINK)	TO	#6 (BLUE)	1-83623-1
4/0 (PINK)	TO	#8 (GREEN)	1-83623-0
4/0 (PINK)	TO	#10, 12, 14 (BROWN)	83623-9
3/0 (BLACK)	TO	#4 (ORANGE)	83623-8
3/0 (BLACK)	TO	#6 (BLUE)	83623-7
3/0 (BLACK)	TO	#8 (GREEN)	83623-6
3/0 (BLACK)	TO	#10, 12, 14 (BROWN)	83623-5
2/0 (GRAY)	TO	#4 (ORANGE)	83623-4
2/0 (GRAY)	TO	#6 (BLUE)	83623-3
2/0 (GRAY)	TO	#8 (GREEN)	83623-2
2/0 (GRAY)	TO	#10, 12, 14 (BROWN)	83623-1

**METRIC**

DO NOT SCALE PRINT. UNLESS SPECIFIED DIMENSIONS IN mm (INCHES) TOLERANCES ON:		DR M. HOECKE JAN94		AMP AMP of CANADA Ltd. Markham, Ont.	
2 PLC DEC ±	-	CHK	-	NAME	
3 PLC DEC ±	-	APPD	R. LARICCHIA 26/JAN/94	LARGE STREET LIGHT, MINIWEDGE	
ANGLES ±	-	APPD	-	SIZE	B
MATERIAL	(ALUM. ALLOY)	PRODUCT SPEC	108-1430	CAGE CODE	09482
FINISH	-	APPLICATION SPEC	-	DRAWING NO	83623
		WEIGHT	-	SCALE	NTS
				SHEET	1 OF 1