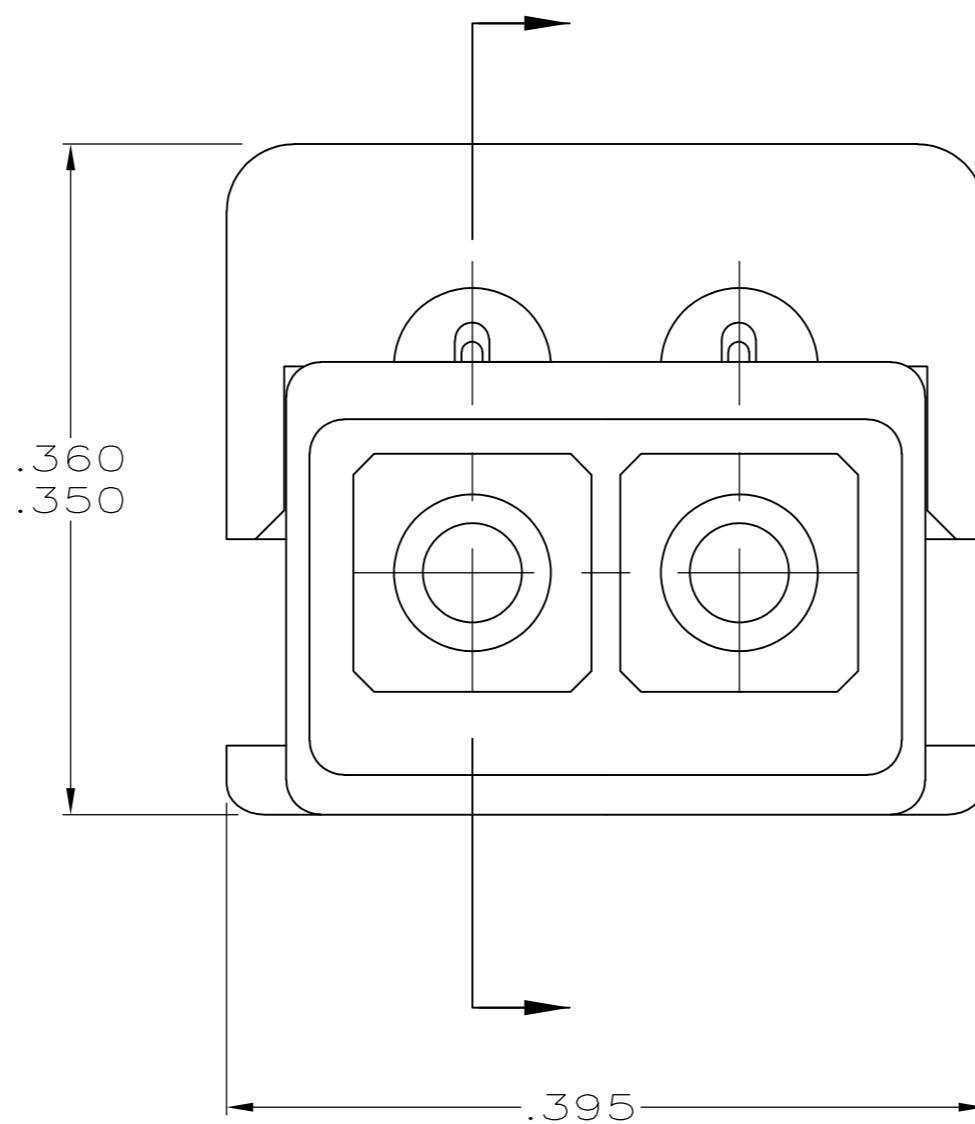
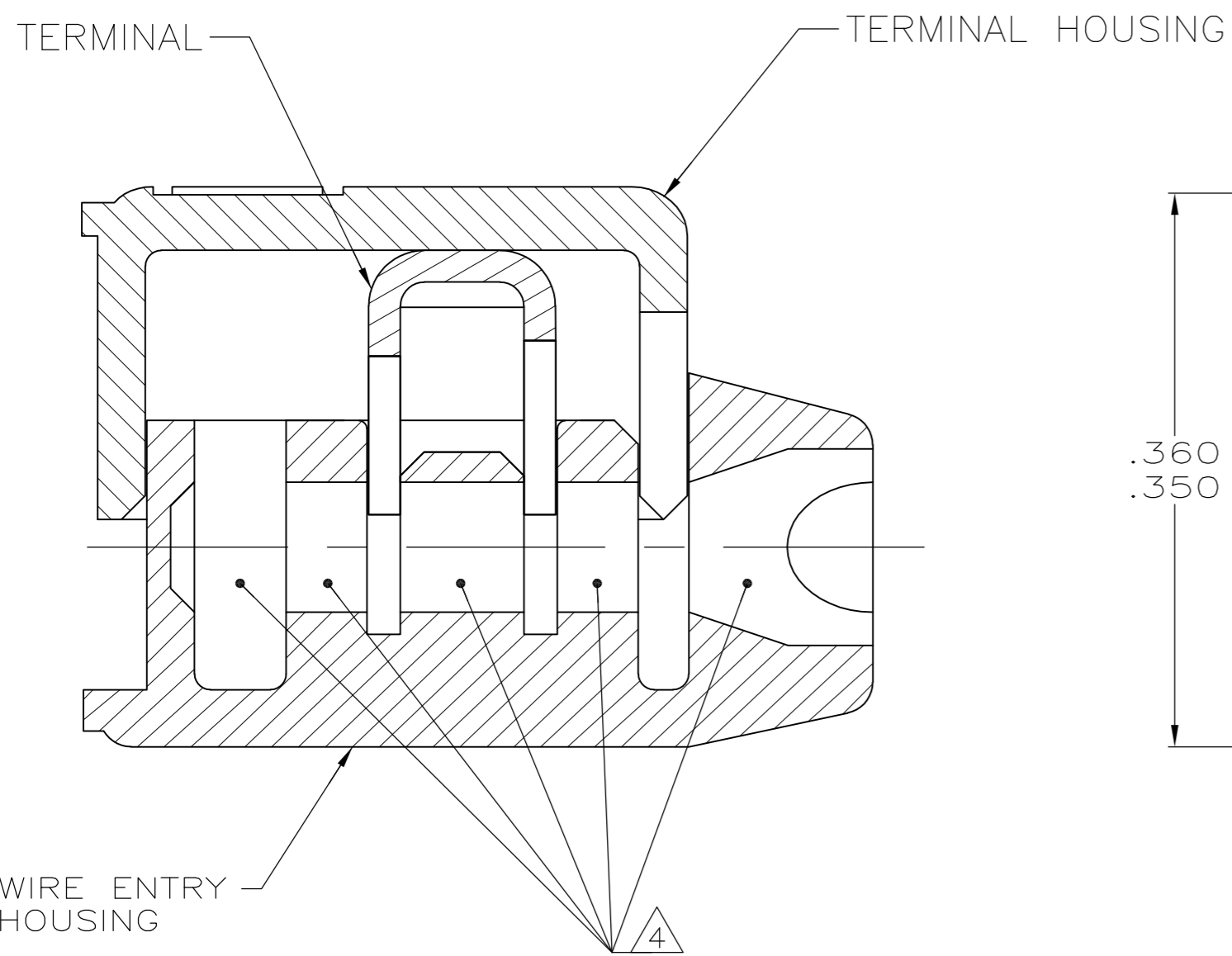


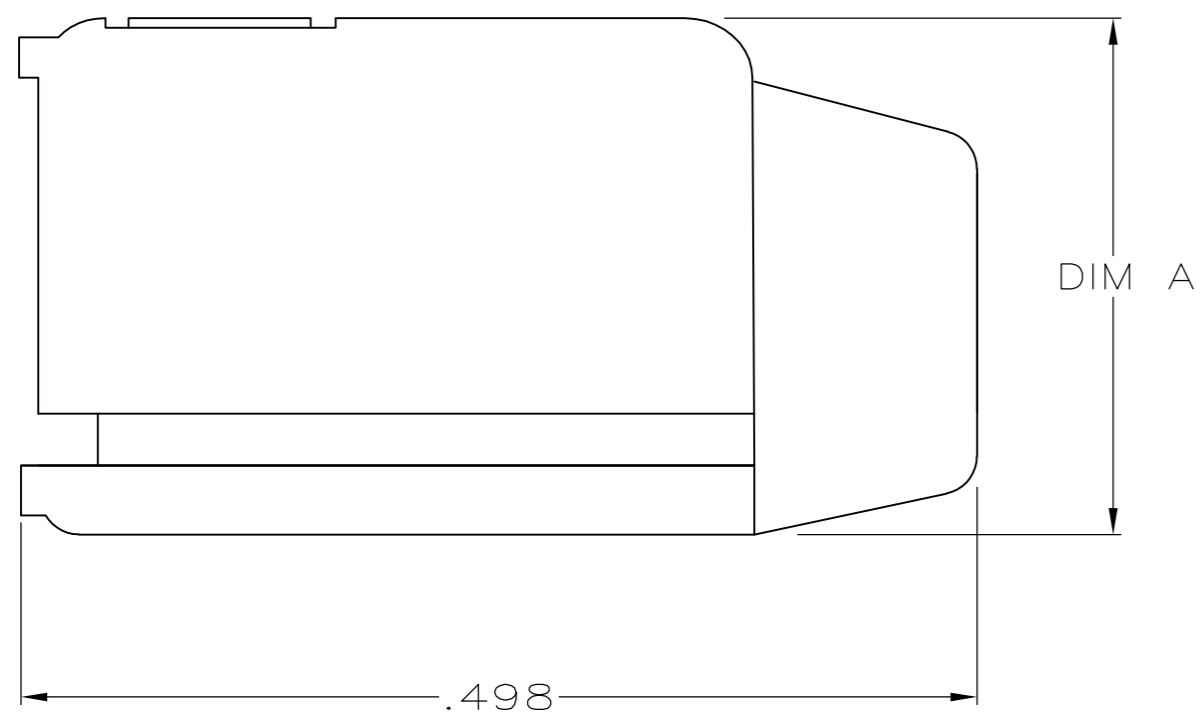
THIS DRAWING IS UNPUBLISHED. RELEASED FOR PUBLICATION  
 © COPYRIGHT BY TYCO ELECTRONICS CORPORATION. ALL RIGHTS RESERVED.

LOC	DIST	REVISIONS					
HM	00	P	LTR	DESCRIPTION	DATE	DWN	APVD
		S		REV PER ECO-09-001811	30JAN09	LH	JJ
		T		REACTIVATE -1, REV ECO-09-016232	10JUL09	LH	JJ

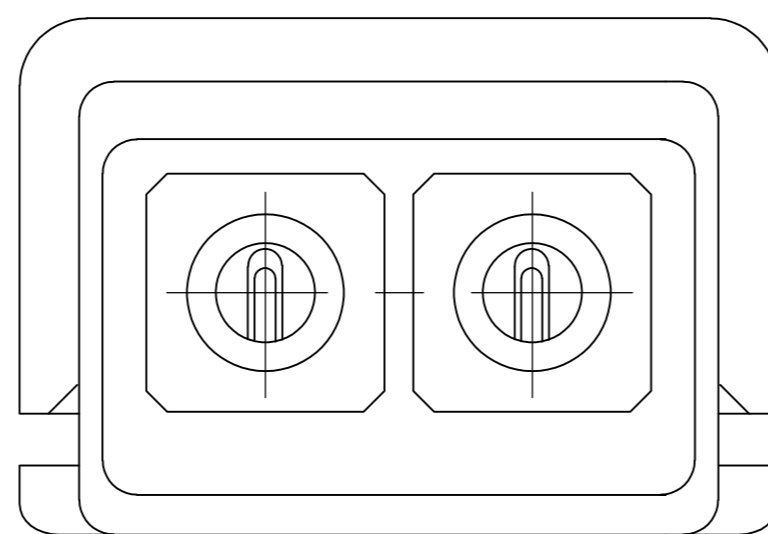


UNCRIMPED

1. ALL DIMENSIONS ARE FOR REFERENCE ONLY.
2. MATERIAL: HOUSING - THERMOPLASTIC (CLEAR)  
TERMINAL - TIN PLATED PHOSPHOR BRONZE
3. WIRE RANGE: 19-26 AWG SOLID COPPER CONDUCTORS.
4. SEALANT ADDED TO HOUSING IN THREE AREAS.
5. FOR CRIMPING INFORMATION SEE APPLICATION SPECIFICATION 114-6010.
6. MATERIAL: HOUSING - THERMOPLASTIC (YELLOW)  
TERMINAL - PHOS BRZ
7. MATERIAL: HOUSING - THERMOPLASTIC (CLEAR)  
TERMINAL - PHOS BRZ
8. MATERIAL: HOUSING - THERMOPLASTIC (YELLOW)  
TERMINAL - TIN PLATED BRASS



CRIMPED



	1000	6	WITH SEALANT	1-552795-8
	5	2	WITH SEALANT	1-552795-7
<b>OBSOLETE</b>	BULK	6	WITHOUT SEALANT	1-552795-5
	100	6	WITHOUT SEALANT	1-552795-4
	100	7	WITH SEALANT	1-552795-2
	500	7	WITH SEALANT	552795-6
<b>OBSOLETE</b>	BULK	7	WITH SEALANT	552795-5
	1000	6	WITHOUT SEALANT	552795-4
<b>SUPSD BY 552795-4</b>	1000	8	WITHOUT SEALANT	552795-3
	1000	7	WITH SEALANT	552795-2
	1000	2	WITH SEALANT	552795-1
	PARTS PER CONTAINER		DESCRIPTION	PART NUMBER

THIS DRAWING IS A CONTROLLED DOCUMENT.		DWN L. HALL 20FEB04	Tyco Electronics Corporation Harrisburg, Pa 17105-3608	
DIMENSIONS: INCHES		CHK A. KINKA 24FEB04	NAME	
TOLERANCES UNLESS OTHERWISE SPECIFIED:		APVD A. KINKA 24FEB04	TEL-SPLICE ASSEMBLY, 2 WIRE (INTERNATIONAL)	
0 PLC ± -		PRODUCT SPEC	SIZE	CAGE CODE
1 PLC ± -		APPLICATION SPEC	A2	00779
2 PLC ± -		WEIGHT	C=552795	
3 PLC ± .005		CUSTOMER DRAWING	SCALE	SHEET
4 PLC ± -			10:1	1 OF 1
ANGLES ± -				REV T
FINISH				

.262	24-26
.276	19-22
DIM "A" MAX	WIRE-AWG