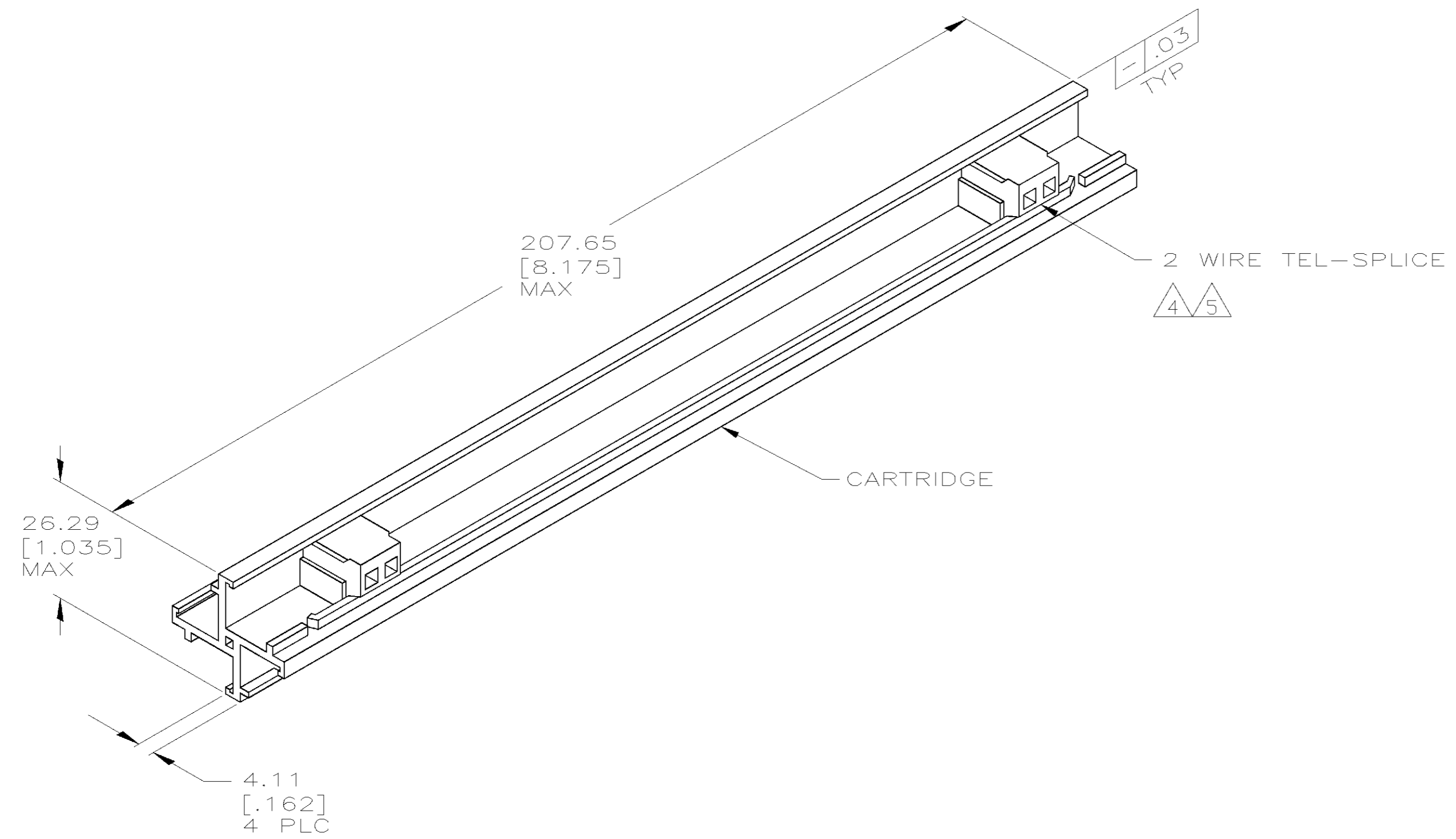


THIS DRAWING IS UNPUBLISHED. RELEASED FOR PUBLICATION
 © COPYRIGHT BY TYCO ELECTRONICS CORPORATION. ALL RIGHTS RESERVED.

LOC	DIST	REVISIONS			
P	LTR	DESCRIPTION	DATE	DWN	APVD
G		REDWN & REV- EC 0340-0026-02	07MAR02	LH	LS

- 1 MATERIAL: CARTRIDGE-RIGID PVC, WHITE. HOUSING-POLYPROPYLENE, CLEAR. TERMINALS-TIN PLATED PHOS BRONZE.
- 2. WIRE RANGE: 19-26 AWG SOLID COPPER CONDUCTORS.
- 3 TEL-SPLICE ASSEMBLIES WITHOUT SEALANT (UNFILLED) SHALL BE YELLOW.
- 4 PART NUMBERS 552966 -2, -4, -5 AND -7 REQUIRES 72 TEL-SPLICE ASSEMBLIES PER CARTRIDGE.
- 5 PART NUMBER 552966-6 REQUIRES 20 TEL-SPLICE ASSEMBLIES PER CARTRIDGE.



DESCRIPTION	PART NO.
UNFILLED	552966-7
FILLED	552966-6
UNFILLED	552966-5
UNFILLED, FLM RTD	552966-4
FILLED	552966-2

THIS DRAWING IS A CONTROLLED DOCUMENT.		DWN L. HALL 06MAR2002	Tyco Electronics Corporation Harrisburg, Pa., 17105-3608	
DIMENSIONS: mm [INCHES]		CHK L. SMITH 07MAR02	NAME CARTRIDGE ASSEMBLY, 2-WIRE, TEL-SPLICE	
TOLERANCES UNLESS OTHERWISE SPECIFIED: 0 PLC ± - 1 PLC ± - 2 PLC ± - 3 PLC ± - 4 PLC ± - ANGLES ± -		APVD E. HRYN 07MAR02	PRODUCT SPEC -	
MATERIAL -		FINISH -	APPLICATION SPEC -	RESTRICTED TO -
-		WEIGHT -	SIZE A2	CAGE CODE 00779
-		DRAWING NO C=552966		REV G
CUSTOMER DRAWING		SCALE NTS	SHEET 1 OF 1	REV G

552966