

4

3

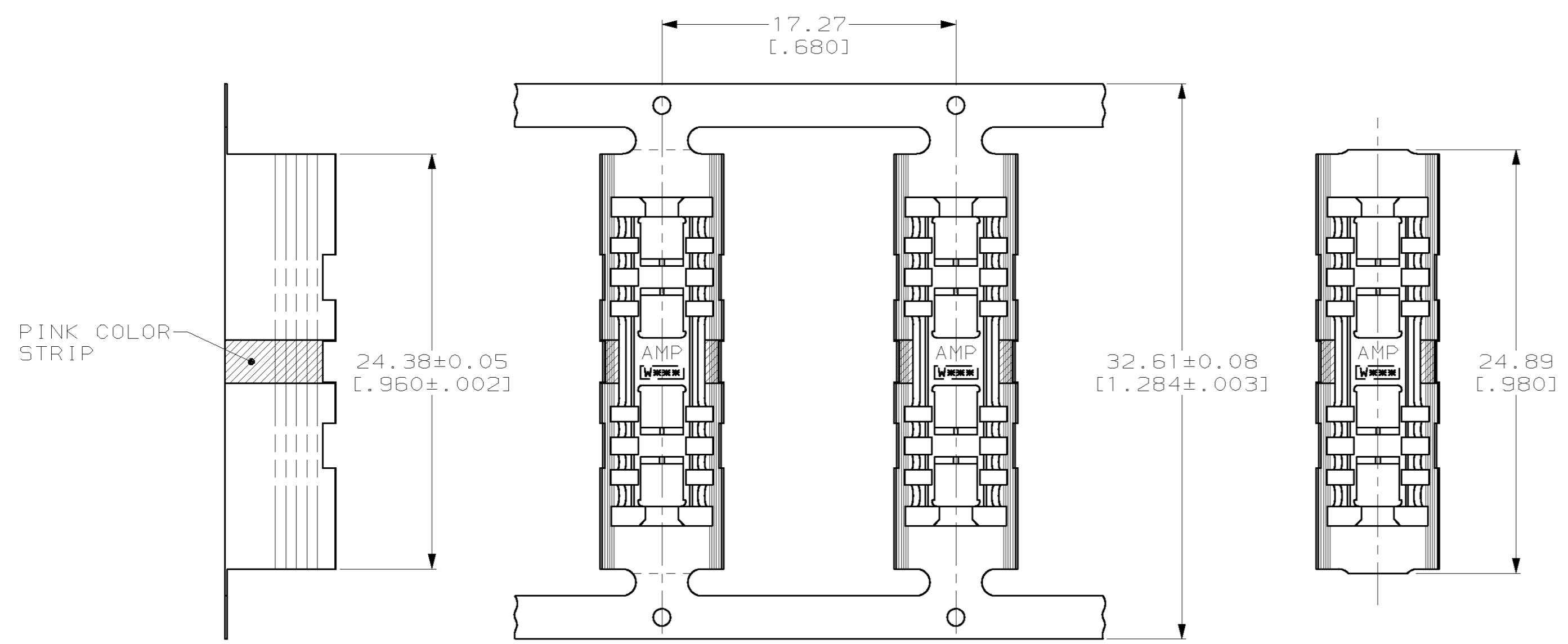
2

1

THIS DRAWING IS UNPUBLISHED. RELEASED FOR PUBLICATION
 BY AMP INCORPORATED. ALL RIGHTS RESERVED.

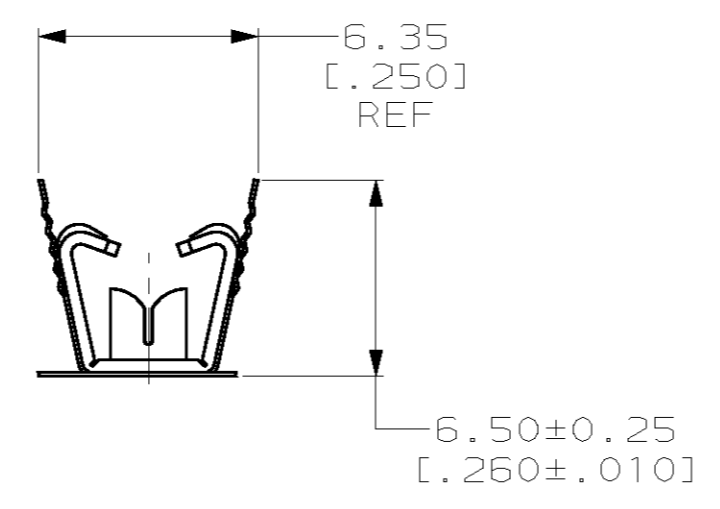
LOC	DIST	REVISIONS			
DESCRIPTION	DATE	DWN	APVD		
EY	24	G			
REV; EC 0340-0009-03		23APR03	GG	AK	

- 1. TIN PLATED BRASS ON PINK STRIPED POLYESTER FILM.
- 2. WIRE RANGE: 0.32[.013] TO 0.51[.020].



SRIP FORM

LOOSE-PIECE



STRIP FORM	552466-6
LOOSE-PIECE	552466-2
STRIP FORM	552466-1
DESCRIPTION	PART NO.

THIS DRAWING IS A CONTROLLED DOCUMENT.		DWN	04FEB98	AMP Incorporated Harrisburg, PA 17105-3608
DIMENSIONS: mm [INCHES]		CHK	04FEB98	
TOLERANCES UNLESS OTHERWISE SPECIFIED:		APVD	04FEB98	
0 PLC ±- 1 PLC ±- 2 PLC ±- 3 PLC ±0.13[.005] 4 PLC ±- ANGLES ±-		NAME		
MATERIAL		PRODUCT SPEC		MINI-CONNECTOR STRIP, PINK PICABOND (INTERNATIONAL)
FINISH		APPLICATION SPEC		SIZE CAGE CODE DRAWING NO RESTRICTED TO
		WEIGHT	-	A2 00779 C- 552466 -
CUSTOMER DRAWING		SCALE	4:1	SHEET 1 OF 1 REV G

552466