

4

3

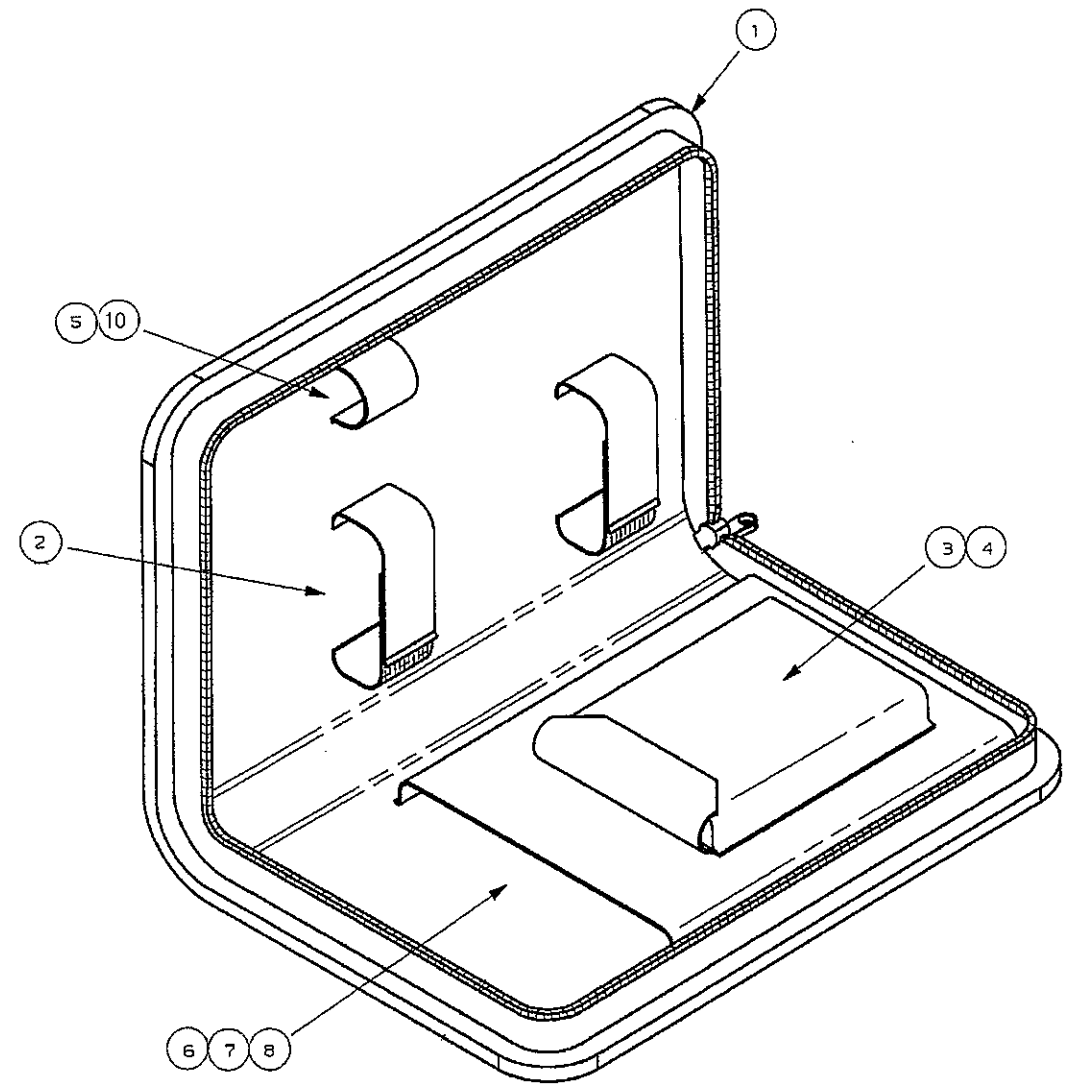
2

1

THIS DRAWING IS UNPUBLISHED. RELEASED FOR PUBLICATION 040CT04 2004.
 © COPYRIGHT 2004 BY TYCO ELECTRONICS CORPORATION. ALL RIGHTS RESERVED.

LOC	DIST	REVISIONS					
J	-	P	LTR	DESCRIPTION	DATE	DWN	APVD
		01		ECR-06-016227	05JUL06	K.K	S.S

1. ITEMS NOT SHOWN, PLACED IN APPROXIMATE AREA AS SHOWN



1	#	1871696-1	FIBER CLEAVER	10
1	1	//	VISUAL INSTRUCTION SHEET	9
1	1	492109-2	MICRO TRIPPER	8
1	1	1754138-1	CABLE HOLDER LC	7
1	1	1278023-1	CABLE/BUFFER HOLDER SC	6
#	1	492674-1	CLEAVE TOOL, S-315	5
2	2	1278422-1	WRENCH 1/4 OPEN END	4
1	1	1754136-1	LC DIESET	3
1	1	492782-1	PRO-CRIMPER W/SC DIESET	2
1	1	492323-1	SOFT CASE	1
-2	-1			
Q'TY		PART NUMBER	DESCRIPTION	ITEM NO.

THIS DRAWING IS A CONTROLLED DOCUMENT.

DWN K.KUME	040CT04	Tyco Electronics AMP K.K. Kawasaki, Japan
CHK K.TOMONAGA	040CT04	
APVD S.SUZUKI	040CT04	NAME TERMINATION KIT, LC+, SC AND LC, ECONOMY
DIMENSIONS: 単位: 寸 mm TOLERANCES UNLESS OTHERWISE SPECIFIED: 一般公差 0 PLC ± 1 PLC ± 2 PLC ± 3 PLC ± 4 PLC ± UNLESS OTHERWISE SPECIFIED: 寸上		PRODUCT SPEC 製品規格 APPLICATION SPEC 取付適用規格 WEIGHT 重量
MATERIAL 材料	FINISH 仕上	SIZE A2 CAGE CODE 00779 DRAWING NO. 1827110 RESTRICTED TO -
CUSTOMER DRAWING		SCALE 尺数 NTS SHEET 1 OF 1 REV 01

FJ0T0160

1827110