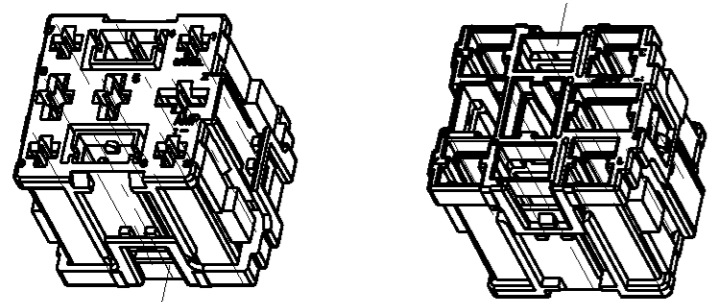
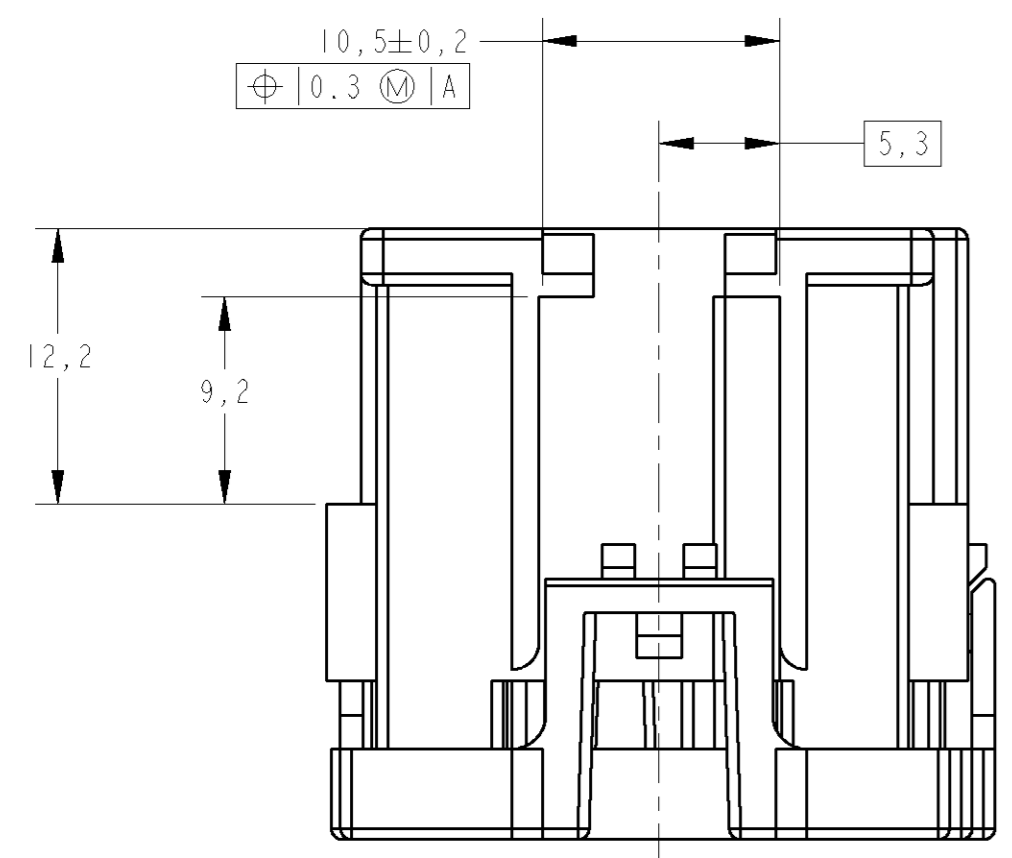
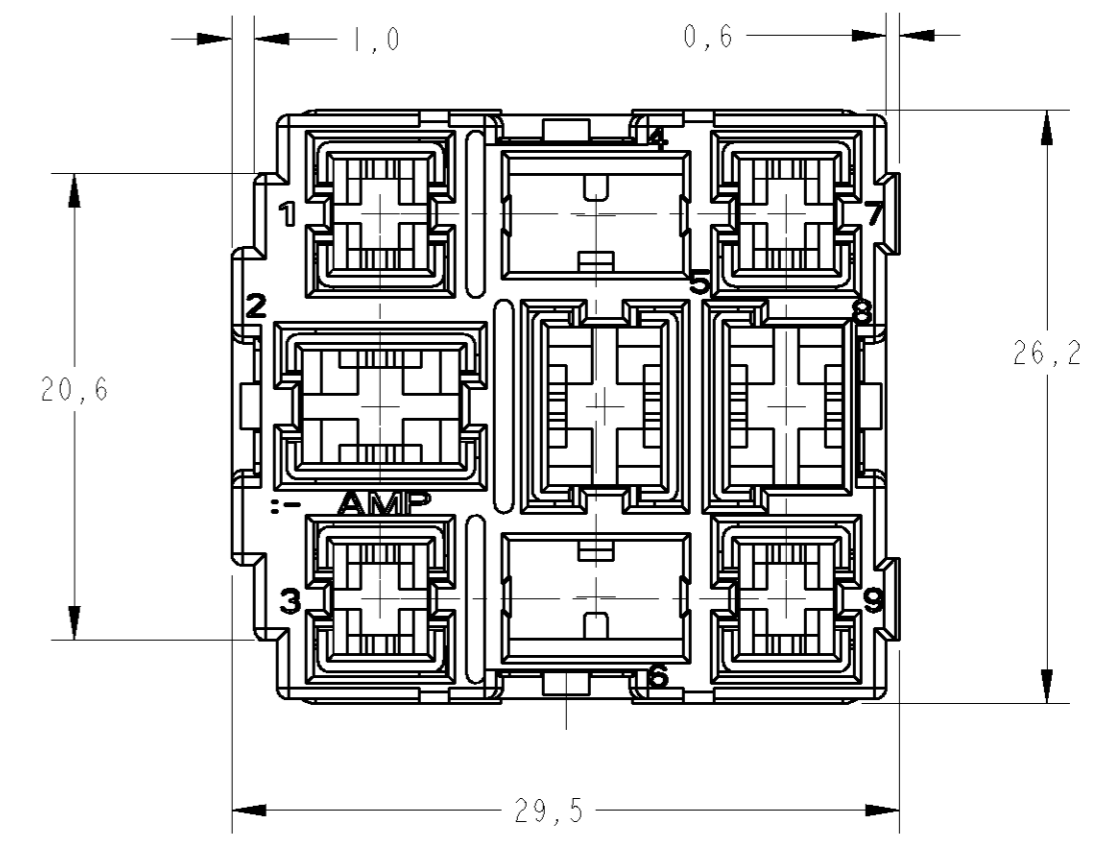
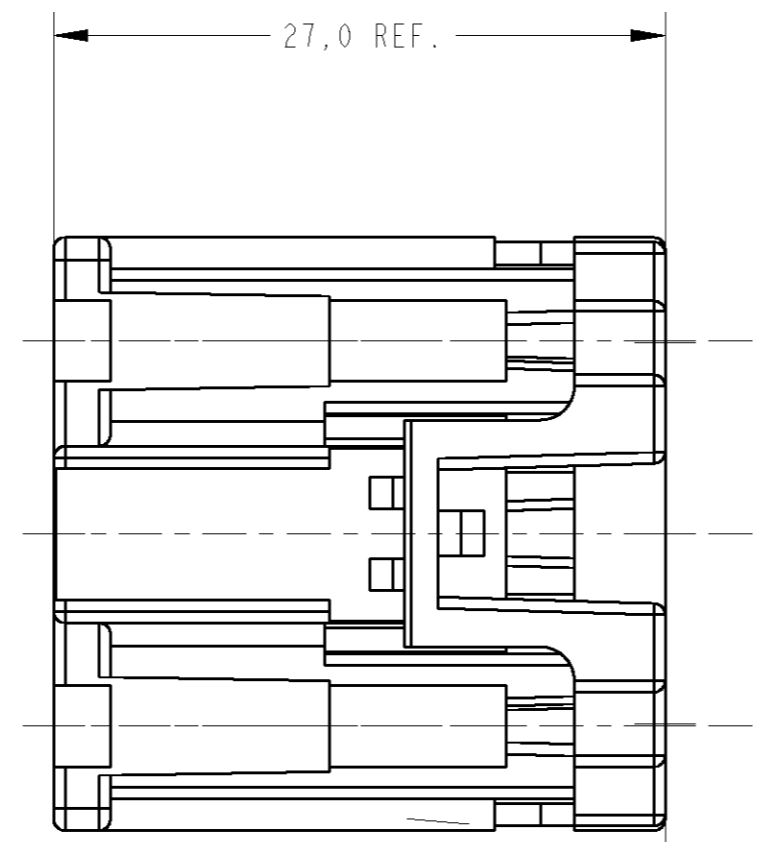
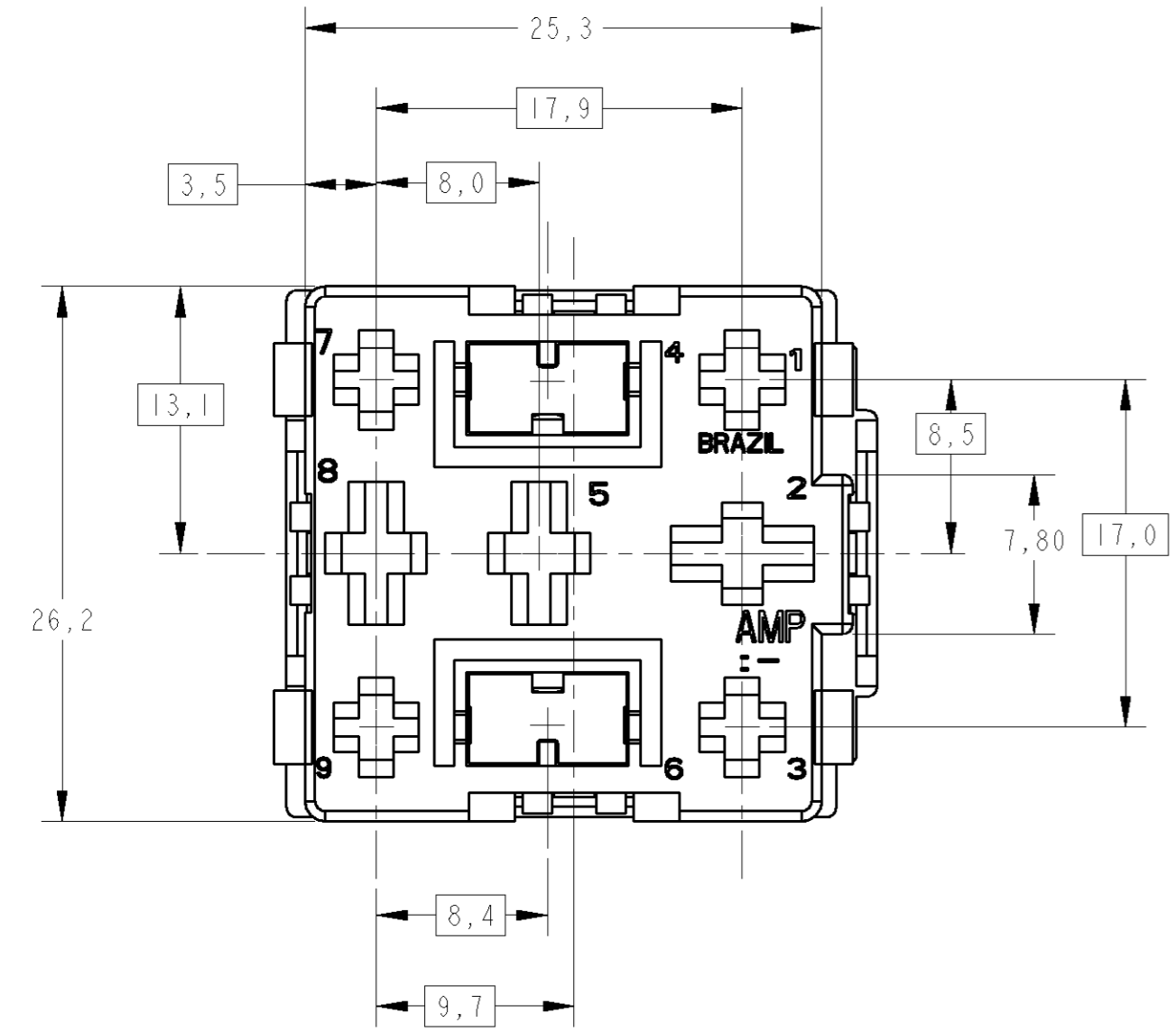


THIS DRAWING IS UNPUBLISHED. RELEASED FOR PUBLICATION
 © COPYRIGHT 19 BY AMP INCORPORATED. ALL RIGHTS RESERVED.

LOC	DIST	REVISIONS					
AP	-	P	LTR	DESCRIPTION	DATE	DWN	APVD
			BI	REDRAWN BY CAD ACCORDING TO ECLB00-407/00	05OCT00	HL	PLF

CAD
 DO NOT REVISE
 EXCEPT BY CAD



1	1	1	1	1	1	1	1	1	1	1	1	2	DESCRIPTION	MATERIAL	FINISH
													COVER CAP	PA6.6 + 15%GF	VIOLETA/VIOLET
													HOUSING, 9 POSN. COMB. JR/STD POWER TIMER	PA6.6 + 15%GF	NATURAL
													HOUSING, 9 POSN. COMB. JR/STD POWER TIMER	PA6.6 + 15%GF	LARANJA/ORANGE
													HOUSING, 9 POSN. COMB. JR/STD POWER TIMER	PA6.6 + 15%GF	ROSA/PINK
													HOUSING, 9 POSN. COMB. JR/STD POWER TIMER	PA6.6 + 15%GF	VIOLETA/VIOLET
													HOUSING, 9 POSN. COMB. JR/STD POWER TIMER	PA6.6 + 15%GF	CINZA/GRAY
													HOUSING, 9 POSN. COMB. JR/STD POWER TIMER	PA6.6 + 15%GF	VERDE/GREEN
													HOUSING, 9 POSN. COMB. SR/STD POWER TIMER	PA6.6 + 15%GF	BRANCO/WHITE
													HOUSING, 9 POSN. COMB. JR/STD POWER TIMER	PA6.6 + 15%GF	AZUL/BLUE
													HOUSING, 9 POSN. COMB. JR/STD POWER TIMER	PA6.6 + 15%GF	AMARELO/YELLOW
													HOUSING, 9 POSN. COMB. JR/STD POWER TIMER	PA6.6 + 15%GF	VERMELHO/RED
													HOUSING, 9 POSN. COMB. JR/STD POWER TIMER	PA6.6 + 15%GF	MARROM/BROWN
													HOUSING, 9 POSN. COMB. JR/STD POWER TIMER	PA6.6 + 15%GF	PRETO/BLACK
QUANTIDADE POR CONJUNTO / REQUIRED PER ASSY												ITEM NUMBER	DESCRIPTION	MATERIAL	FINISH
B	A2	A2	A2	A2	A2	A2	A2	A2	A2	A2	A2	PART REVISION			
1--2	1--1	1--0	-9	-8	-7	-6	-5	-4	-3	-2	-1				
444017															

THIS DRAWING IS A CONTROLLED DOCUMENT FOR AMP INCORPORATED. IT IS SUBJECT TO CHANGE AND THE CONTROLLING ENGINEERING ORGANIZATION SHOULD BE CONTACTED FOR THE LATEST REVISION.

DIMENSIONS: mm

TOLERANCES UNLESS OTHERWISE SPECIFIED:
 0 PLC ±
 1 PLC ±0.3
 2 PLC ±
 3 PLC ±
 4 PLC ±
 ANGLES ±
 FINISH --/--

MATERIAL SEE TABLE

DWN H.LIVERARO 04OCT00
 CHK P.L.FARIA 05OCT00
 APVD J.A.MARSON 05OCT00

PRODUCT SPEC 108-37013
 APPLICATION SPEC --/--
 WEIGHT --/--

CUSTOMER DRAWING

NAME AMP do BRASIL LTDA. Sao Paulo, Brasil

AMP

HSG. ASSY, 9 POSN. COMB. JR., STD POWER TIMER

SIZE A2 CAGE CODE 00779 DRAWING NO. 444017 RESTRICTED TO --

SCALE 3:1 SHEET 1 OF 1 REV B1