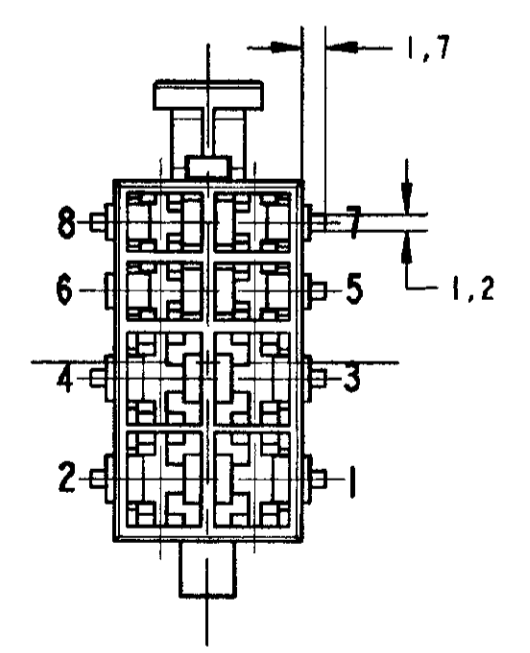
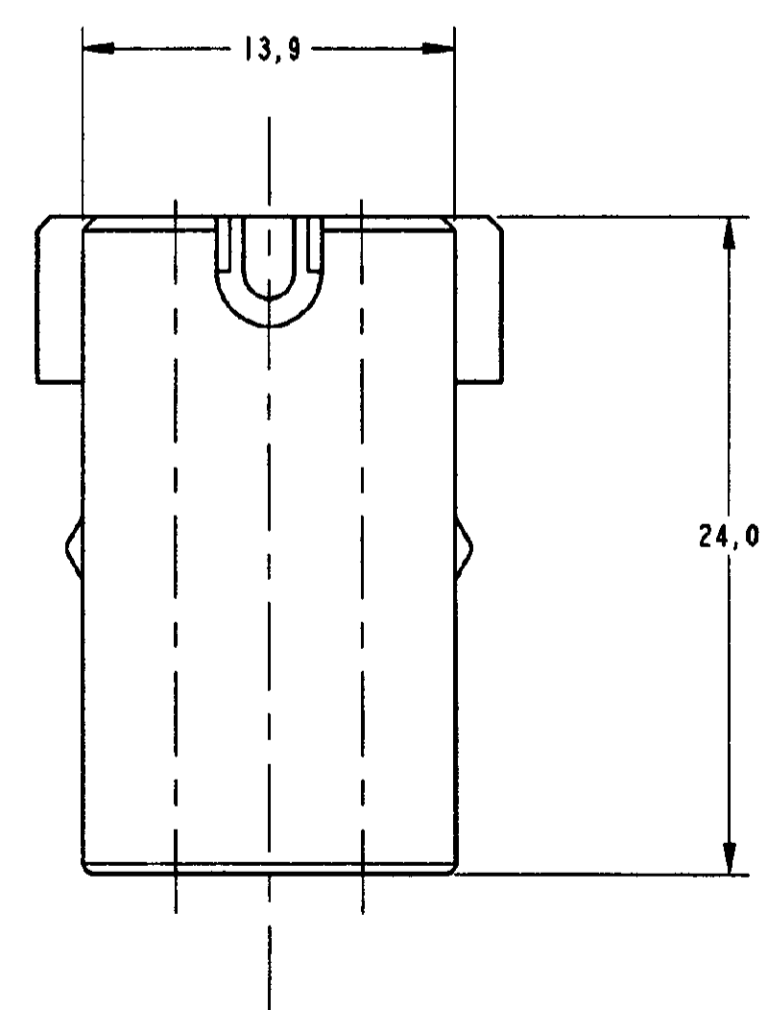
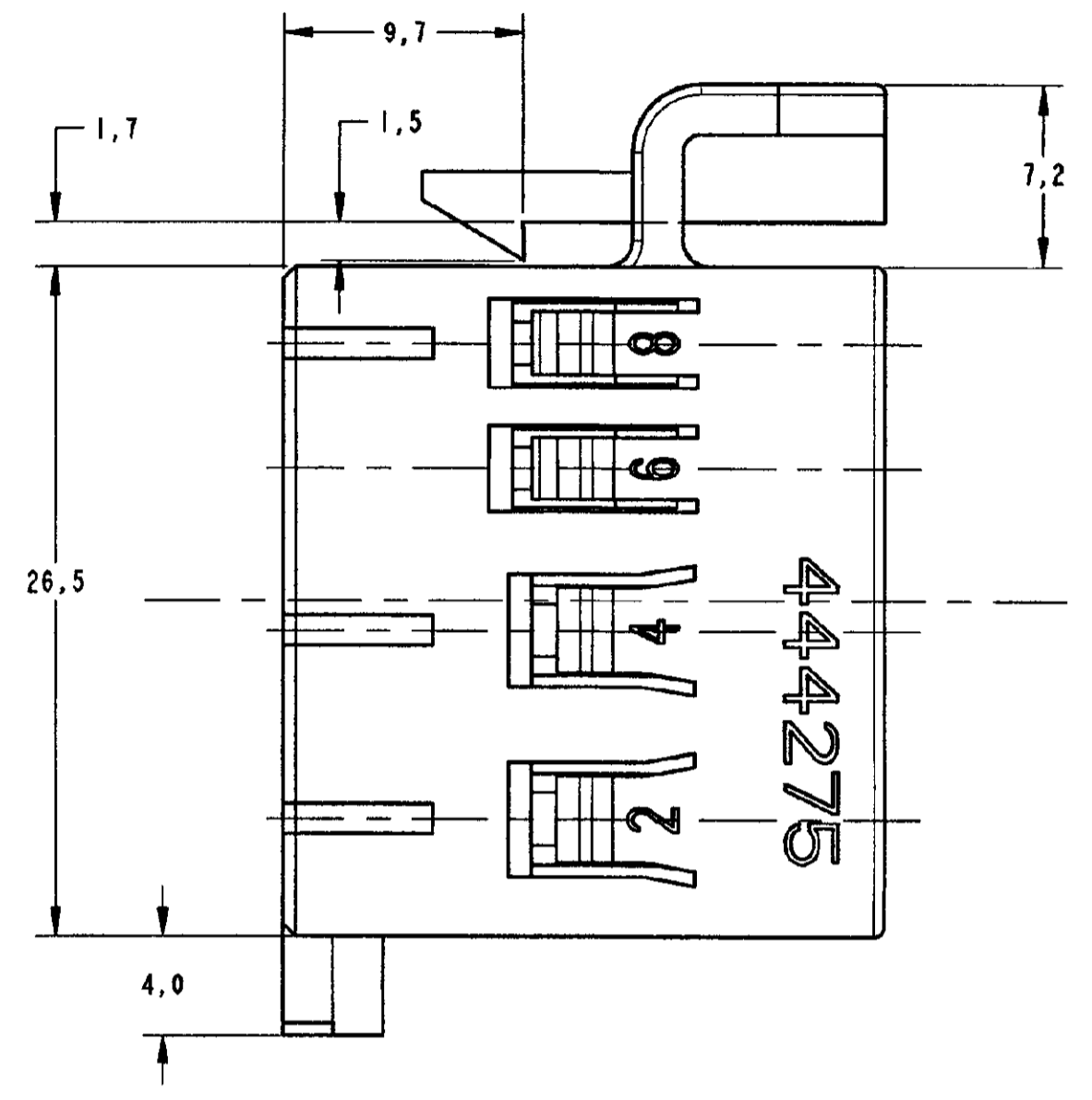
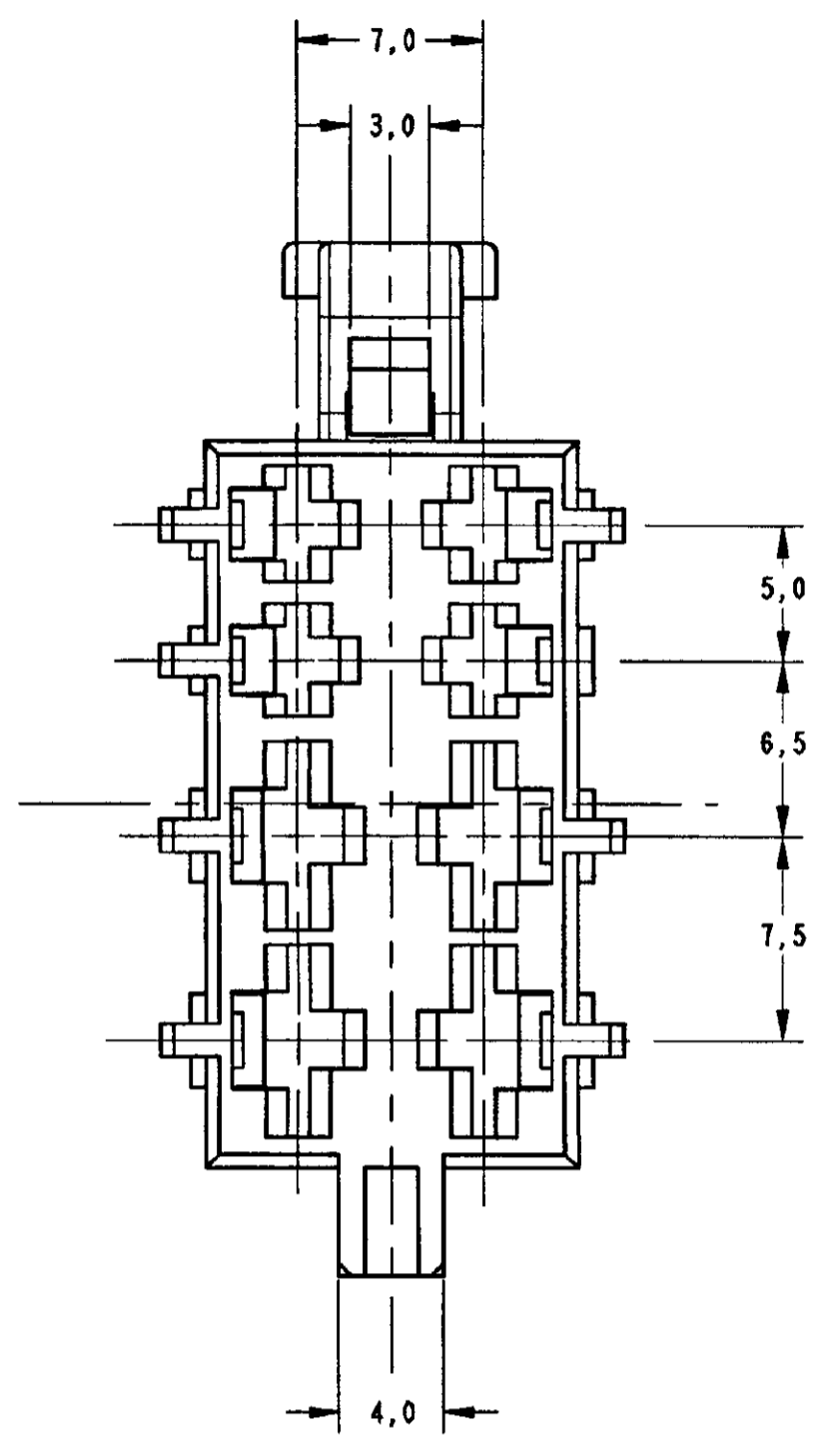


THIS DRAWING IS UNCLASSIFIED, RELEASED FOR PUBLICATION
 BY AMP INCORPORATED. ALL RIGHTS RESERVED.

LOC	DIST	REVISIONS			
7	LN	DESCRIPTION	DATE	BY	APP
F		REDRAWN W/O CHANGE EC-452/99	21-JAN-03	NCL	PLS

CAD
 DO NOT REVISE
 EXCEPT BY CAD



DETALHE DA POLARIZAÇÃO
 POLARIZATION DETAIL
 SCALE 2:1

GRAVAÇÃO MARKING	
LOGOTIPO AMP	AMP LOGO
CÓDIGO PAÍS PRODUTOR	MANUFACTURER COUNTRY CODE
NOMENCLATURA MATERIAL	MATERIAL NOMENCLATURE
NÚMERO COMPONENTE AMP	AMP COMPONENT NUMBER
NÚMERO CAVIDADE	CAVITY NUMBER
IDENTIFICAÇÃO CIRCUITO	CIRCUIT IDENTIFICATION
NÚMERO PEÇA CLIENTE	CUSTOMER PART NUMBER
PAÍS PRODUTOR	MANUFACTURER COUNTRY

RAW MAT'L NO	POLARIZATION	FINISH	MATERIAL	PART NUMBER
---	2 - 7 - 8	LARANJA/ORANGE		-9
---	2 - 3 - 8	CINZA/GRAY		-8
---	1 - 2 - 5	VERDE/GREEN		-7
---	1 - 4 - 5	BRANCO/WHITE		-6
---	2 - 3 - 5	AZUL/BLUE		-5
---	1 - 5 - 8	AMARELO/YELLOW		-4
---	3 - 5 - 8	VERMELHO/RED		-3
---	3 - 4 - 5	MARRON/BROWN		-2
---	2 - 5 - 8	PRETO/BLACK	PA 6.6+15FVGF	444275 -1

DIMENSIONS: mm 0 PLC 48 1 PLC 40,3 2 PLC 44 3 PLC 44 4 PLC 44 ANGLE 45°		ON DIMENSIONS UNLESS OTHERWISE SPECIFIED: F - GRILLA		Dwg. 23DEC99 N.C. LAPRESA São Paulo, Brasil	
MATERIAL: SEE TABLE		WEIGHT: - FINISH: -		AMP do Brasil LTDA. HOUSING, 8 POSN., JUNIOR / STANDARD POWER TIMER SIZE: A11 CAGE CODE: 00779 DRAWING NO: C-444275	
CUSTOMER DRAWING				RESTRICTED TO: - SCALE: 4:1 SHEET: 1 OF 1 REV: F	

AMP 4665 REV 27JUN96
 DATE: 28-JAN-99 14:15:36
 OBJECT: 444275

ORIGINAL
 WHEN APPLICABLE
 QUANDO EM APLICÁVEL