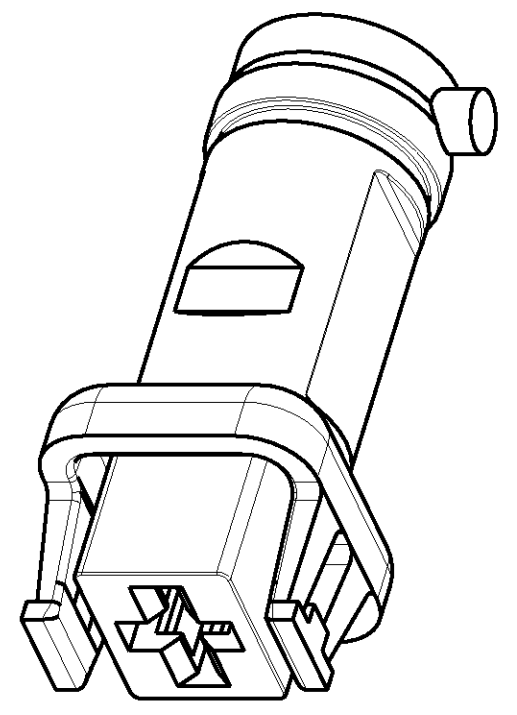
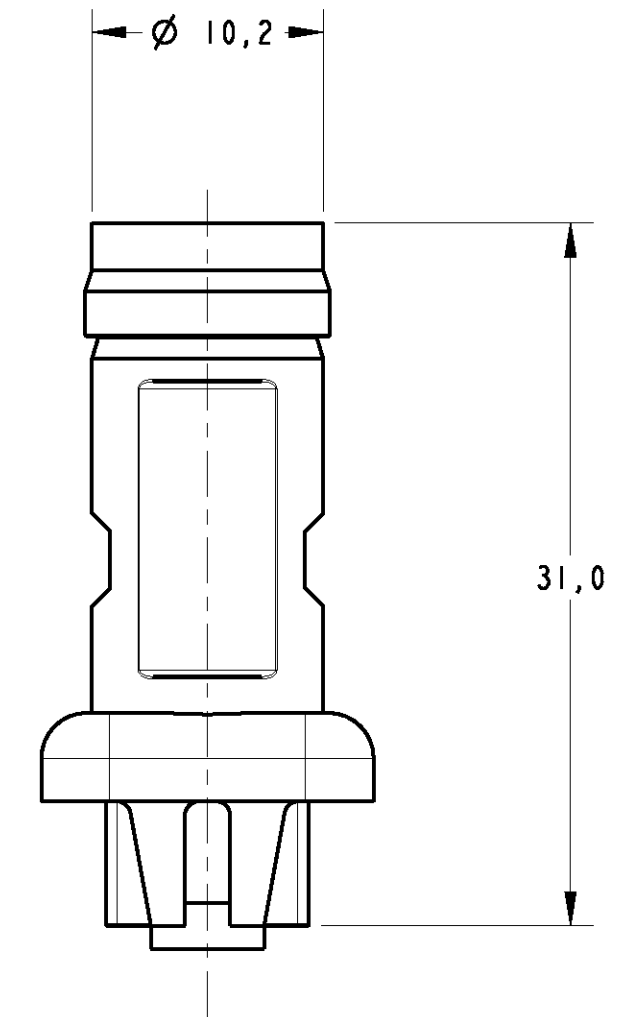
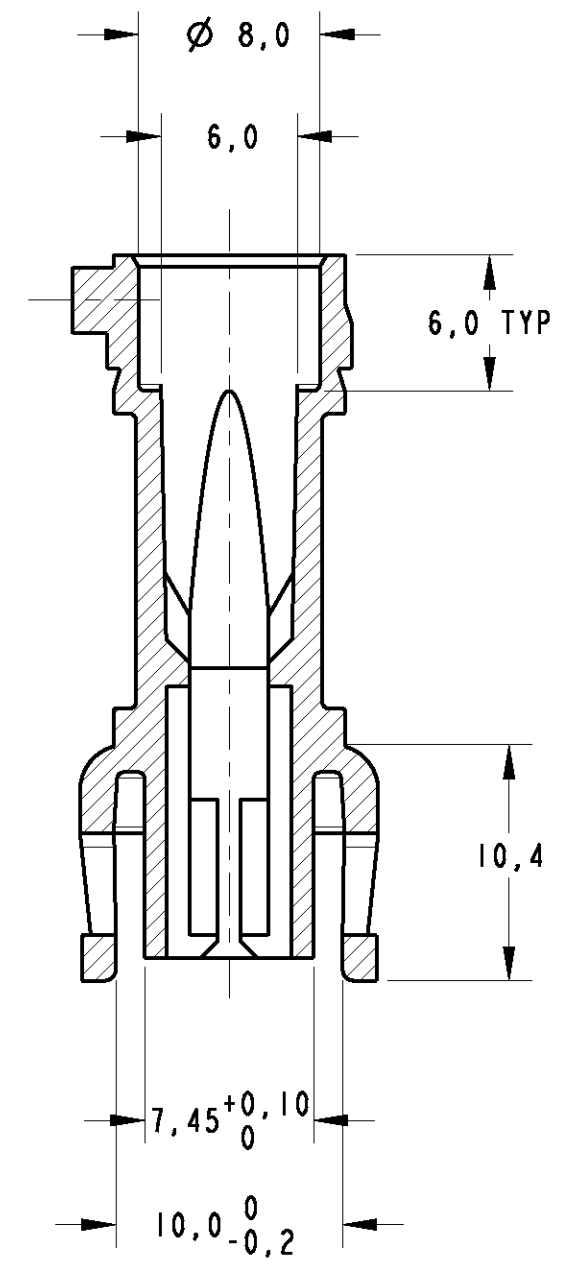
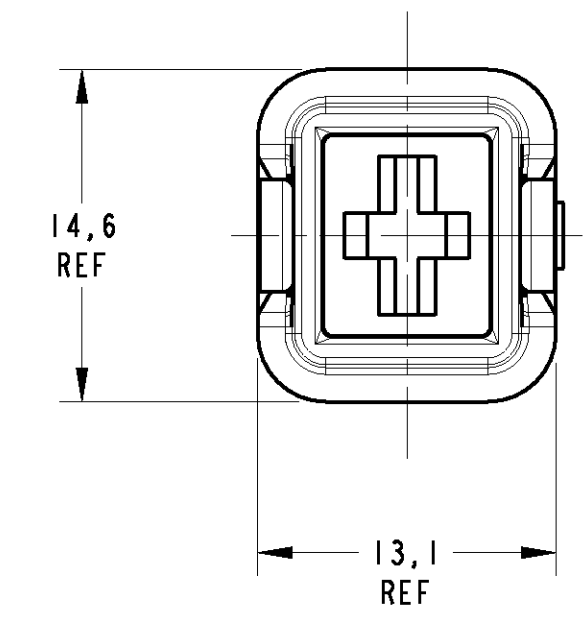
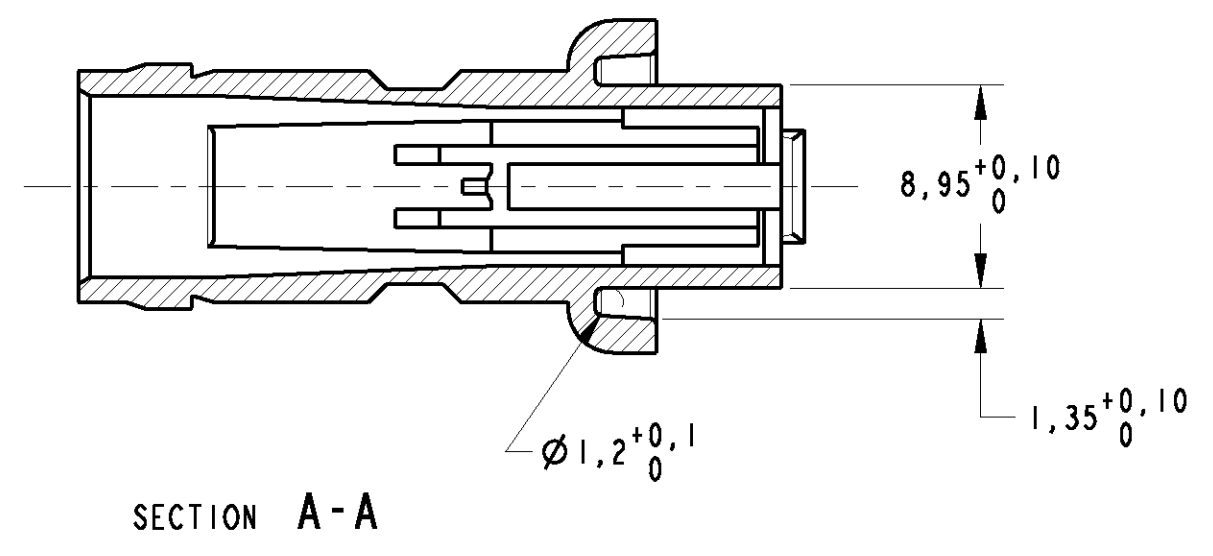
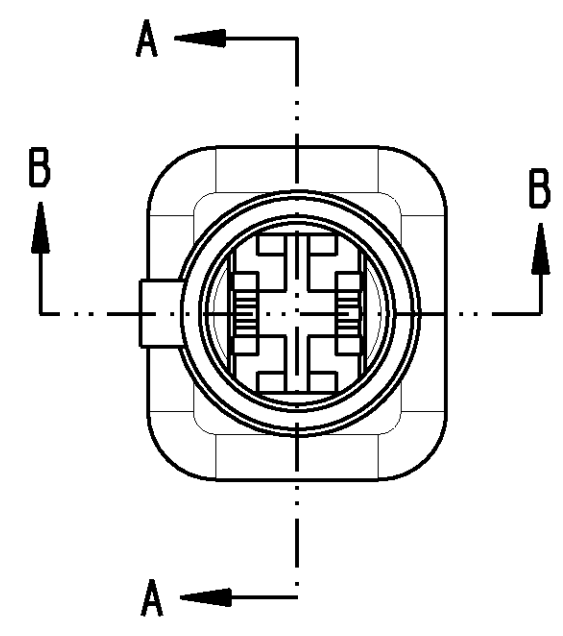
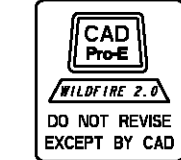


THIS DRAWING IS UNPUBLISHED. RELEASED FOR PUBLICATION 20
 © COPYRIGHT 20 BY TYCO ELECTRONICS CORPORATION. ALL RIGHTS RESERVED.

LOC	DIST	REVISIONS			
P	LTR	DESCRIPTION	DATE	DWN	APVD
AP	-	B REDRAWN WITH CHANGE ECLB-0199/96	04JUN1996	NCL	JRG
		C REVISED BY EC 0149/03	07MAY2003	MLO	PLF
		D CHANGE STATUS ECO-08-009145	29APR2008	NCL	MBG



PERSPECTIVE VIEW
SCALE 3:1

⚠ - VER DESENHO DE CLIENTE RESTRITO VOLKSWAGEN 881206-VW
 - SEE VOLKSWAGEN RESTRICTED CUSTOMER DRAWING

GRAVAÇÃO MARKING
LOGOTIPO TE TE LOGO
CÓDIGO PAÍS PRODUTOR MANUFACTURER COUNTRY CODE
NOMENCLATURA MATERIAL MATERIAL NOMENCLATURE
NÚMERO COMPONENTE TE TE COMPONENT NUMBER
NÚMERO CAVIDADE CAVITY NUMBER
PAÍS PRODUTOR MANUFACTURER COUNTRY

	PRETO / BLACK	P.A 6.6		-9
				-8
				-7
				-6
				-5
				-4
				-3
				-2
				-1
			881206	
	FINISH	MATERIAL	PART NUMBER	

THIS DRAWING IS A CONTROLLED DOCUMENT FOR TYCO ELECTRONICS CORPORATION. IT IS SUBJECT TO CHANGE AND THE CONTROLLING ENGINEERING ORGANIZATION SHOULD BE CONTACTED FOR THE LATEST REVISION.		DWN N.C. LAPRESA 13MAY96	TYCO ELECTRONICS do Brasil LTDA. São Paulo, Brasil	
DIMENSIONS: mm		CHK J.R. GOLDSCHMIDT 04JUN96	NAME HOUSING, 1 POSITION, STANDARD POWER TIMER	
TOLERANCES UNLESS OTHERWISE SPECIFIED: 0 PLC ± 1 PLC ±0.3 2 PLC ± 3 PLC ± 4 PLC ± ANGLES ± FINISH		APVD H. VASCONCELLOS 04JUN96	RESTRICTED TO	
MATERIAL SEE TABLE	SEE TABLE	PRODUCT SPEC APPLICATION SPEC	SIZE A2	CAGE CODE 00779
CUSTOMER DRAWING		WEIGHT -	DRAWING NO. C-881206	SCALE 3:1
		SHEET 1 OF 1		REV D

881206