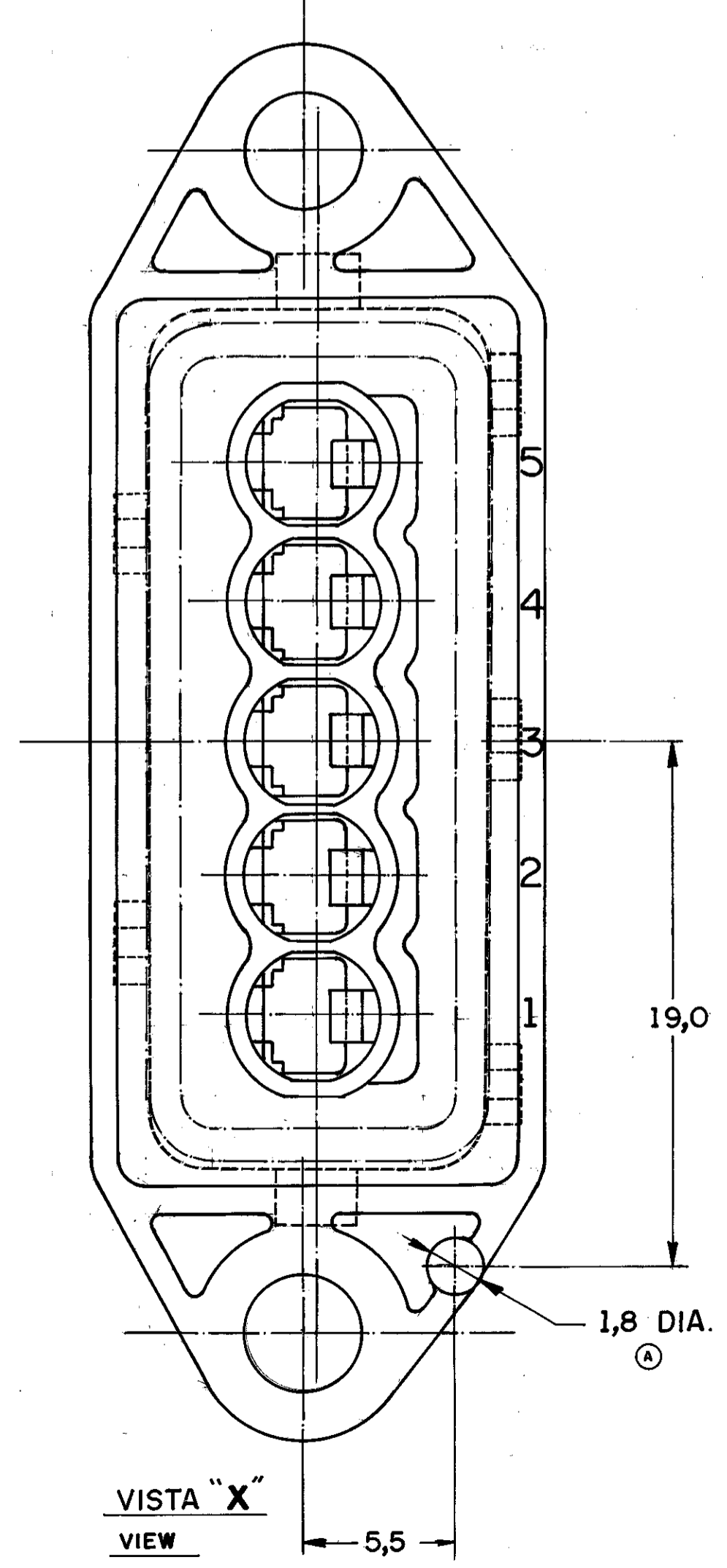
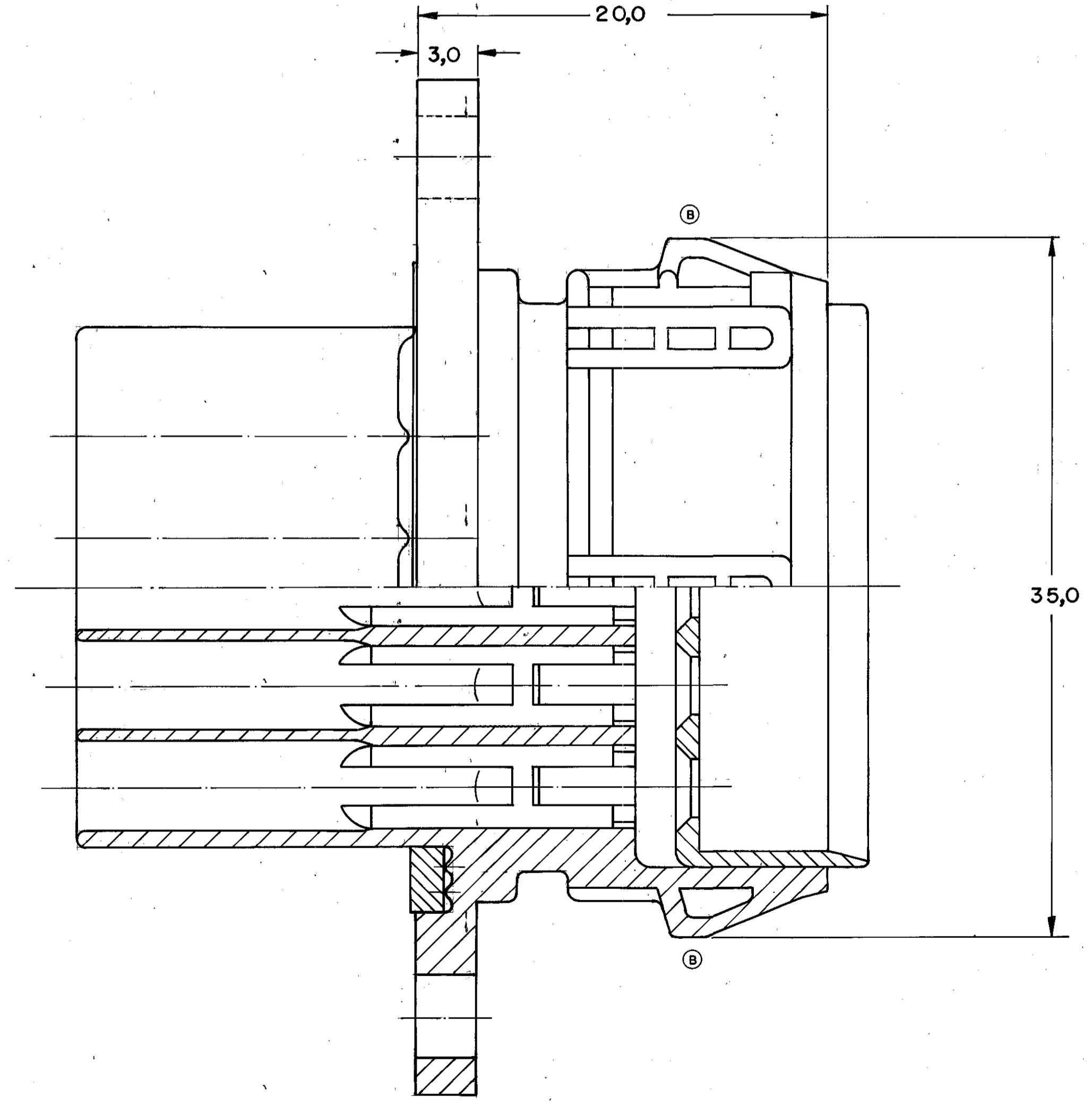
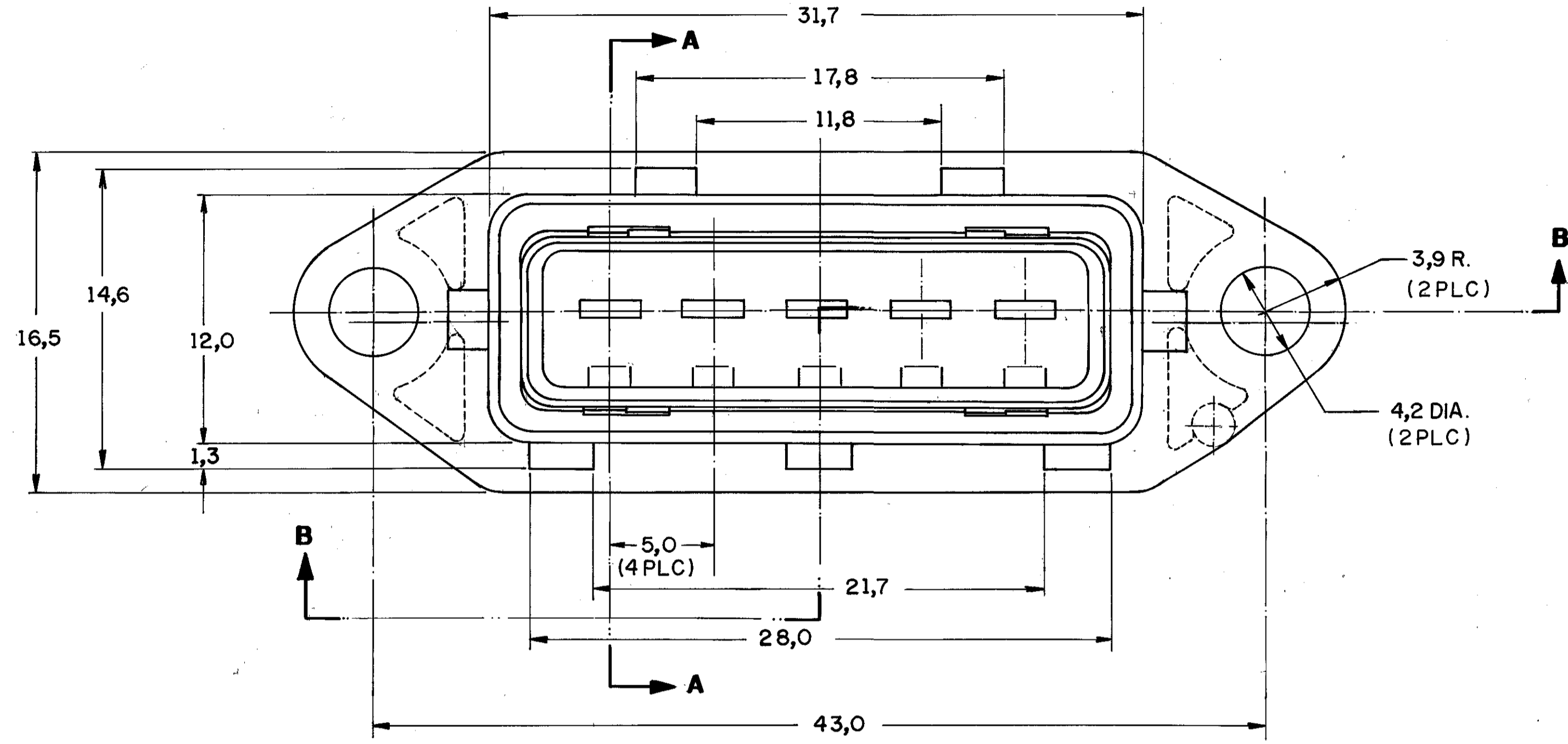
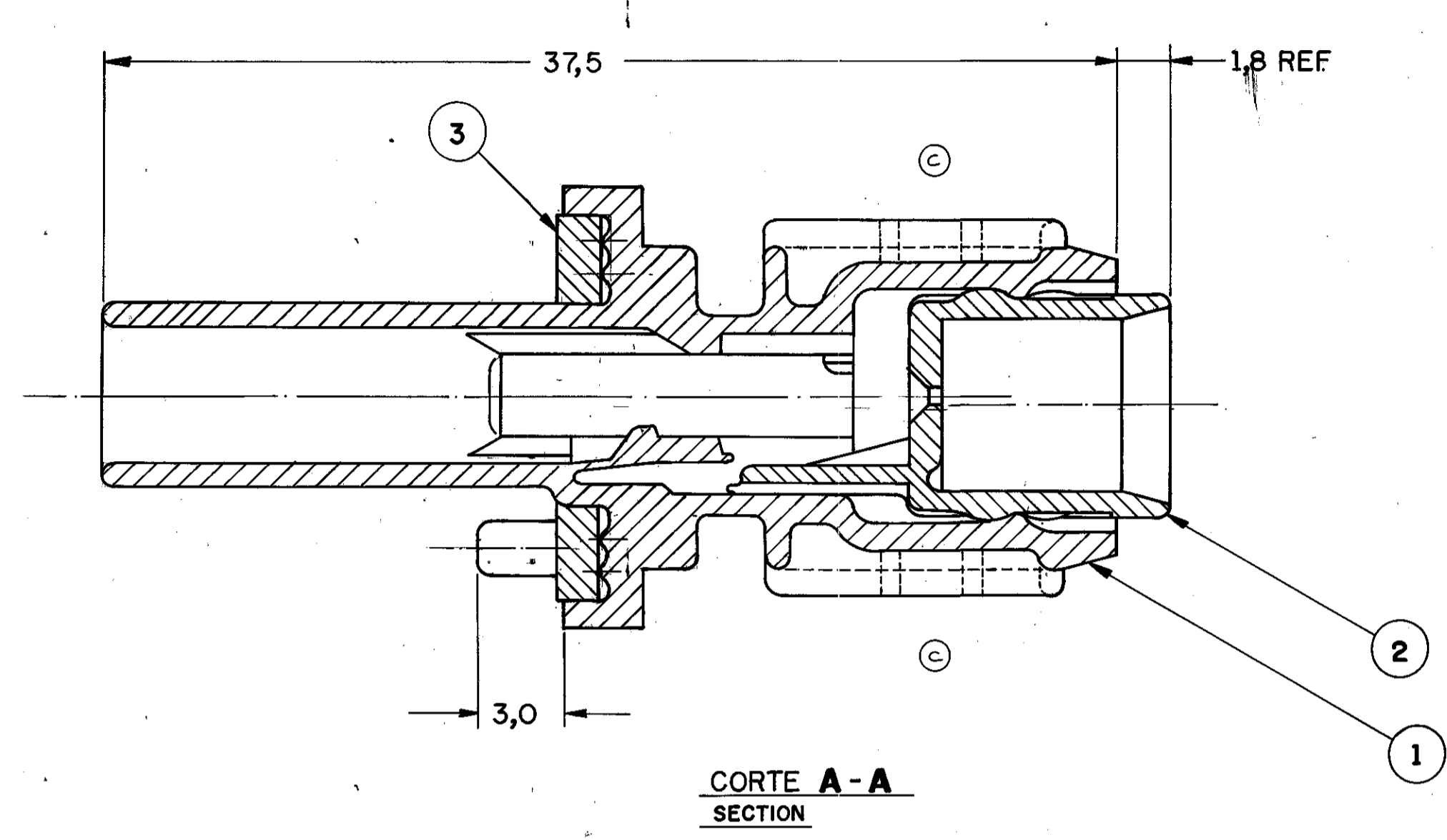


C444343 1:1

444343		DO NOT SCALE		<b>METRIC</b>		3rd ANGLE PROJECTION	
		DIMENSIONS IN mm.					
REQ. PER ASSY	ITEM No	DESCRIPTION	MATERIAL	FINISH			
1	1	HOUSING, 5 POSN., JUNIOR POWER TIMER, TAB.	PA.6.6+30% FV.(GF)	PRETO (BLACK)			
1	2	SPACER, 5 POSN., JUNIOR POWER TIMER, TAB.	PA.6.6+30% FV.(GF)	AMARELO(YELLOW)			
1	3	RUBBER SEAL	SILICONE	LARANJA(ORANGE)			



- 1 - OS ITENS 1, 2 E 3 SÃO FORNECIDOS COMO MOSTRADOS.
- 2 - GRAVAÇÕES QUE DEVERÃO CONSTAR: MARCA REGISTRADA AMP, CÓDIGO DO PAÍS PRODUTOR, PAÍS PRODUTOR, NÚMERO DA PEÇA AMP, IDENTIFICAÇÃO DA CAVIDADE, IDENTIFICAÇÃO DE CIRCUITO E NOMENCLATURA DO MATERIAL.
- ITENS 1, 2 AND 3 ARE SUPPLIED AS SHOWN.
- STAMP THAT MUST BE EVIDENT: AMP TRADEMARK, MANUFACTURER COUNTRY CODE, MANUFACTURER COUNTRY, AMP PART NUMBER, CAVITY IDENTIFICATION, CIRCUIT IDENTIFICATION AND MATERIAL NOMENCLATURE.

OTHER TREATMENT	FINISH	MATERIAL	PART NUMBER
<b>CUSTOMER DWG</b> for REFERENCE ONLY			
THIS DRAWING IS UNPUBLISHED		RELEASED FOR PUBLICATION	
COPYRIGHT © 1994 BY AMP DO BRASIL LTDA. SP. ALL INTERNATIONAL RIGHTS RESERVED. AMP PRODUCTS ARE COVERED BY U.S. AND FOREIGN PATENTS AND/OR PATENTS PENDING.		TOLERANCES UNLESS OTHERWISE STATED: DEC. 20.3 ANGLE 2:1	
DR. 03-JUN-94		D.A. Rocha	
REVISED BY LE. 10/06/94		CHK. 06-07/94	
B. CONFIG CHANGE EC591-06		PLF. 27-07/94	
A. DIMENSION WAS 2.0		DE. 28-08/94	
O. WAS 93-29152		Dori 28-JUN-94	
REVISION RECORD	DR	CHK	DATE
APP. [Signature]			
DESCRIPTION		AMP do BRASIL LTDA. São Paulo, Brasil	
HOUSING ASSY, 5 POSN., JUNIOR POWER TIMER, TAB.		SCALE 5:1	
DWG NO. <b>C 444343</b>		SHEET 1 of 1	

This information is confidential and is disclosed to you on condition that you will not disseminate it without the prior written authorization from AMP DO BRASIL S.P.

PRINT DISTN