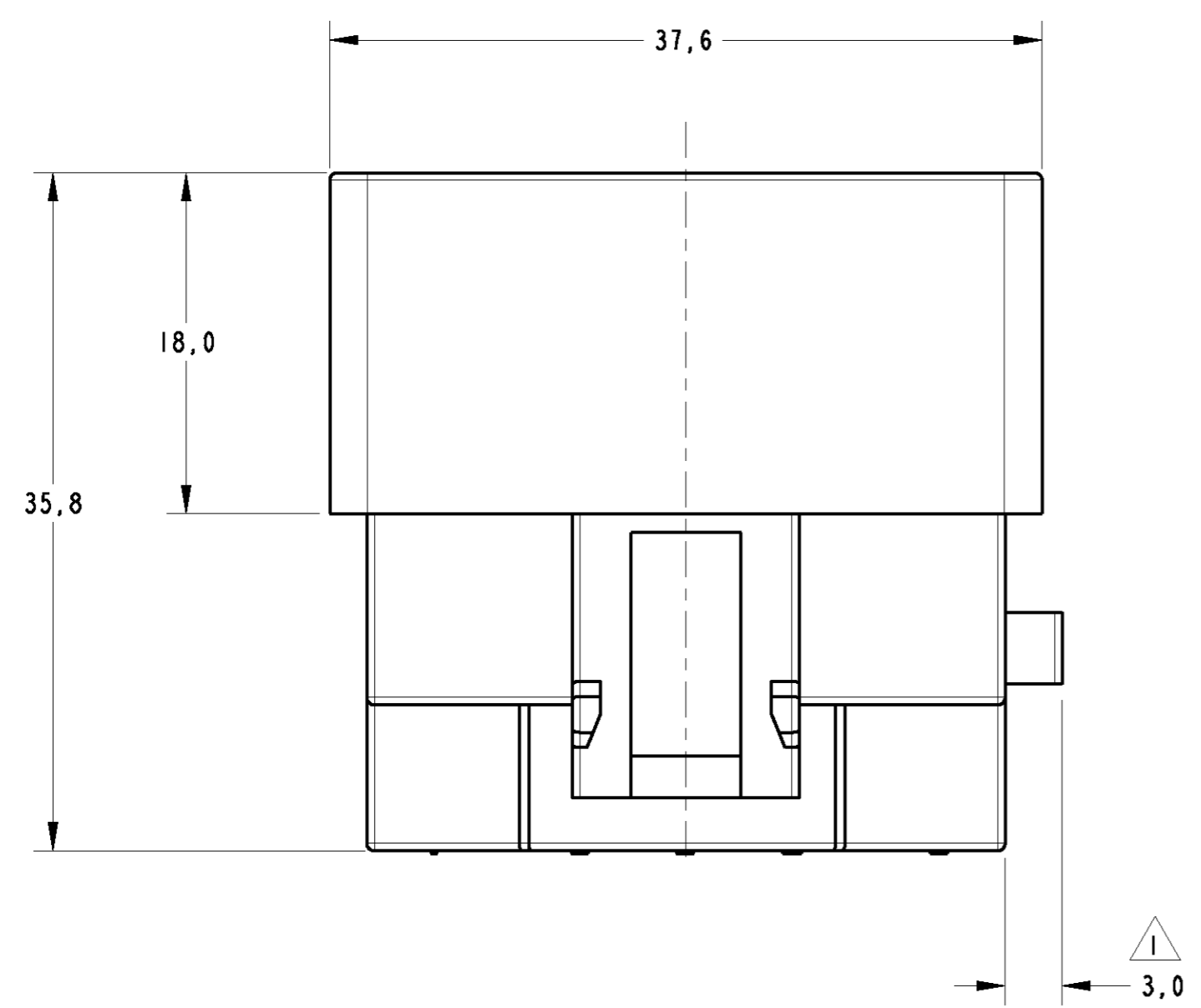
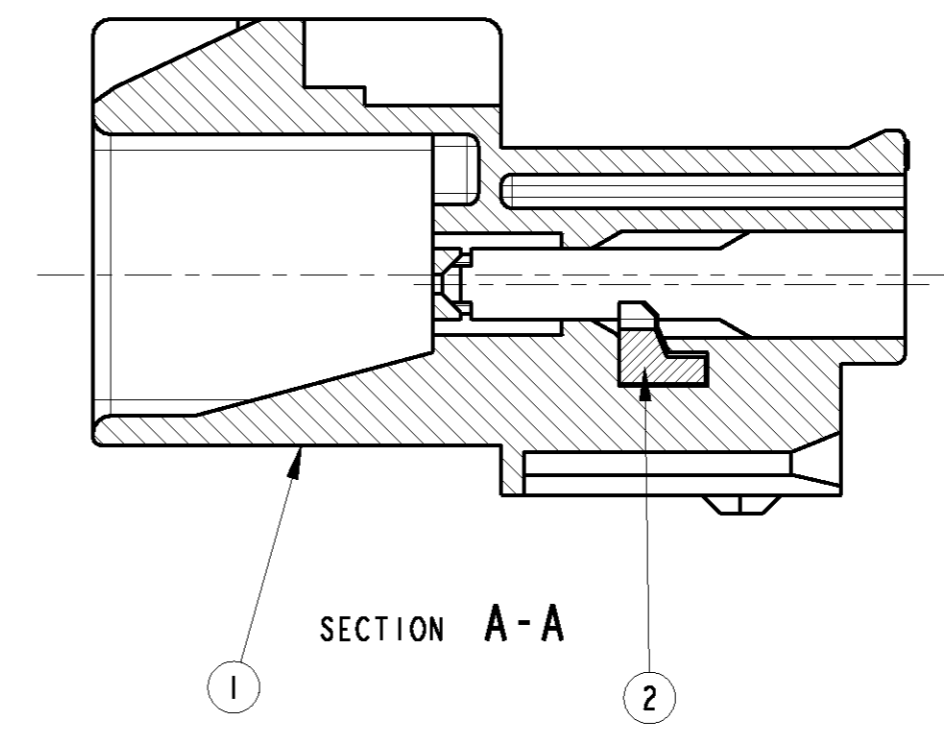
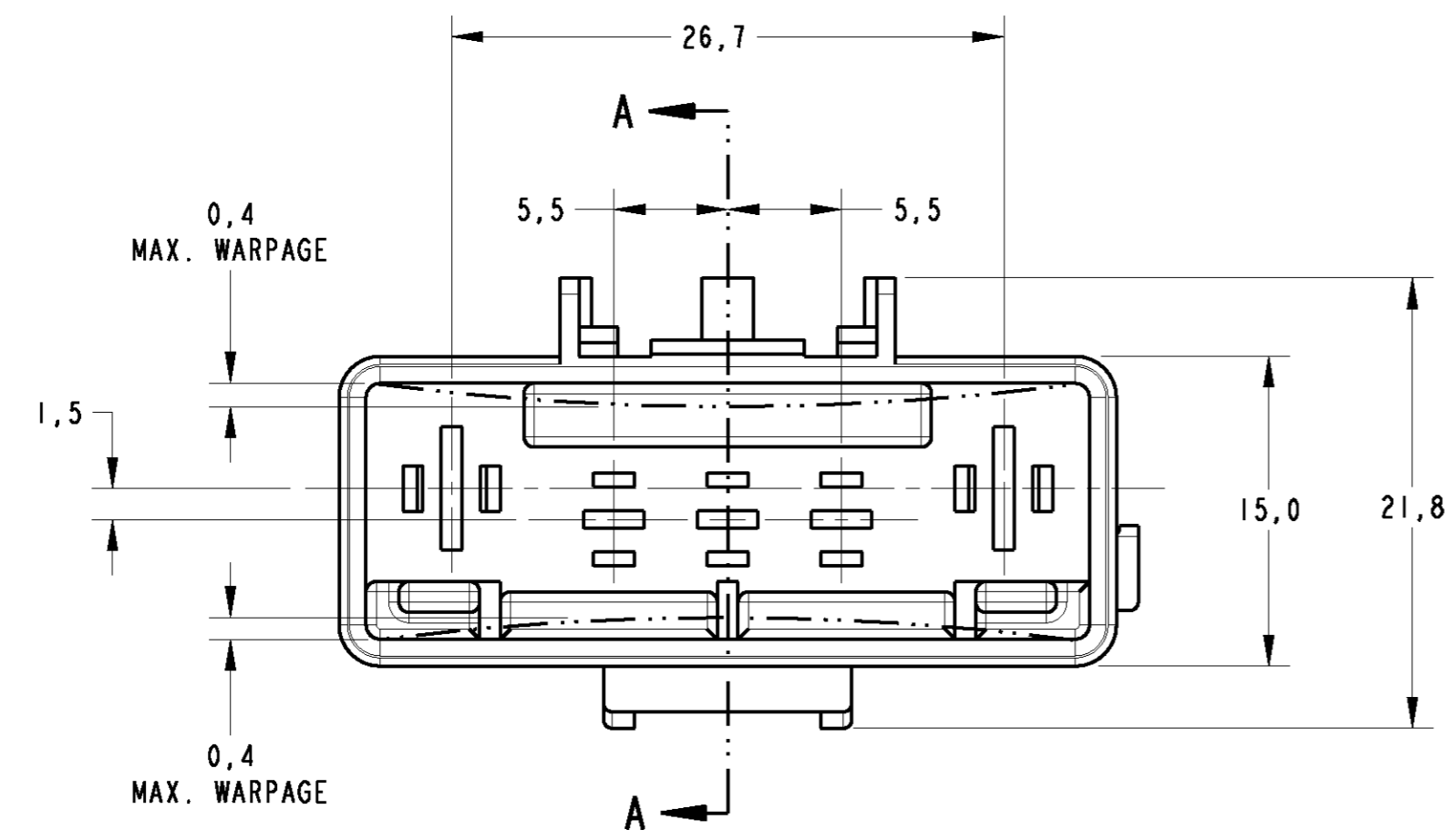
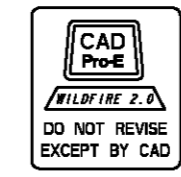


THIS DRAWING IS UNPUBLISHED. RELEASED FOR PUBLICATION 2004  
 © COPYRIGHT 2004 BY TYCO ELECTRONICS CORPORATION. ALL RIGHTS RESERVED.

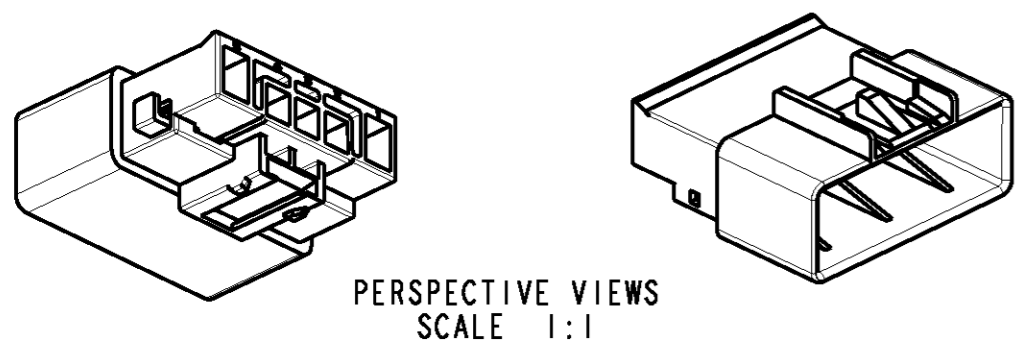
LOC		DIST		REVISIONS			
P	LTR	DESCRIPTION	DATE	DWN	APVD		
AP	-						
O		RELEASED BY EC LB00-0244/04	27APR2004	EL	PLF		
A		UPDATE BY EC LE10-0171/04	06AUG2004	EL	PLF		
B		REVISED BY ECLE10-242/04	01SEP2004	AP	PLF		
BI		REVISED BY ECO-07-026675	23NOV2007	NCL	MR		



GRAVAÇÃO MARKING
LOGOTIPO TE TE LOGO
CÓDIGO PAÍS PRODUTOR MANUFACTURER COUNTRY CODE
NOMENCLATURA MATERIAL MATERIAL NOMENCLATURE
NÚMERO COMPONENTE TE TE COMPONENT NUMBER
NÚMERO CAVIDADE CAVITY NUMBER
PAÍS PRODUTOR MANUFACTURER COUNTRY
REV.+ LETRA REV.DA PEÇA REV.+ PART REV.LETTER
IDENTIFICACAO DO CIRCUITO CIRCUIT IDENTIFICATION

1 - POSIÇÃO DE PRÉ TRAVAMENTO DA TRAVA SECUNDÁRIA, FORNECIDO CONFORME MOSTRADO. 1 - PRE LOCK POSITION OF SECONDARY LOCK, SUPPLIED AS SHOWN.

2 - TERMINAIS: JPT - VIDE DESENHO GRUPO DE PRODUTO - C 1355364 SPT - VIDE DESENHO GRUPO DE PRODUTO - C 1394011 2 - TERMINALS: JPT - SEE PRODUCT GROUP DRAWING - C 1355364 SPT - SEE PRODUCT GROUP DRAWING - C 1394011



REQ. PER ASSY	ITEM	DESCRIPTION	MATERIAL	FINISH
1	2	SECONDARY LOCK, 5 POS HYBRID SPT/JPT, TAB	PA 6.6+15%GF	AZUL/BLUE
1	1	HOUSING, 5 POS HYBRID SPT/JPT, TAB	PA 6.6+15%GF	PRETO / BLACK
1599314				

THIS DRAWING IS A CONTROLLED DOCUMENT FOR TYCO ELECTRONICS CORPORATION. IT IS SUBJECT TO CHANGE AND THE CONTROLLING ENGINEERING ORGANIZATION SHOULD BE CONTACTED FOR THE LATEST REVISION.		DWN E. LOPES 23APR2004 CHK P. L. FARIA 23APR2004 APVD I. W. PRADO 23APR2004	Tyco Electronics TYCO ELECTRONICS do Brasil LTDA. São Paulo, Brasil
DIMENSIONS: mm	TOLERANCES UNLESS OTHERWISE SPECIFIED: 0 PLC ± 1 PLC ±0.3 2 PLC ± 3 PLC ± 4 PLC ± ANGLES ±° FINISH	PRODUCT SPEC 108-37065 APPLICATION SPEC 411-37040 WEIGHT -/-	NAME HOUSING ASSEMBLY, 5 POS HYBRID SPT/JPT, TAB SIZE A2 CAGE CODE 00779 DRAWING NO C-1599314 RESTRICTED TO -/-
MATERIAL	SEE TABLE	SEE TABLE	CUSTOMER DRAWING

1599314