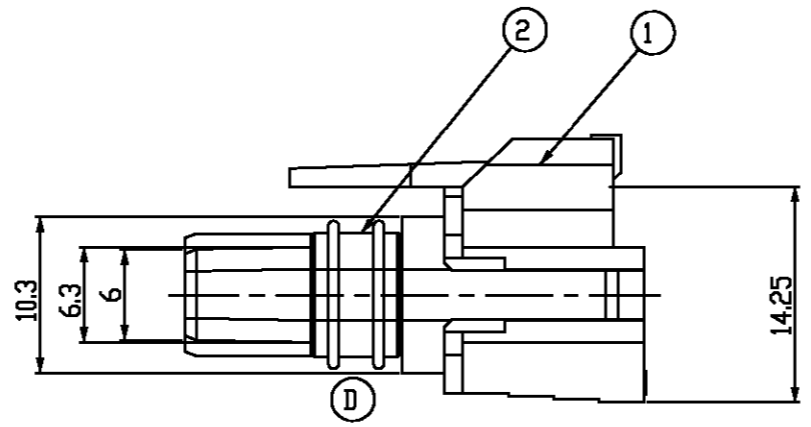
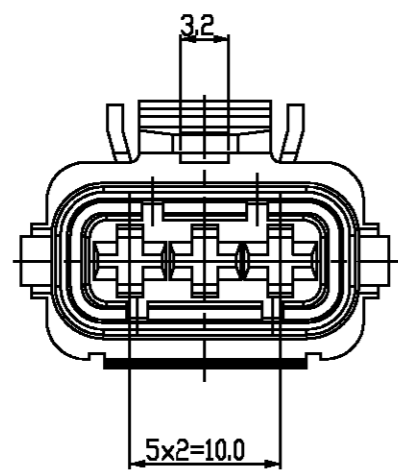
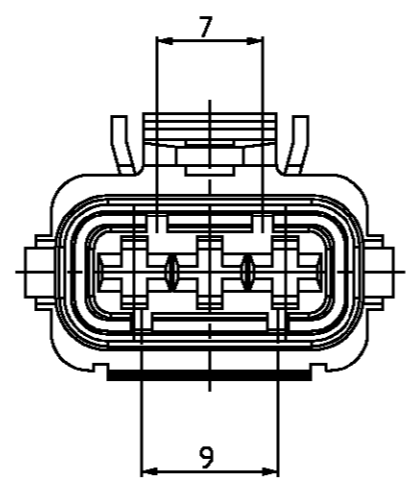
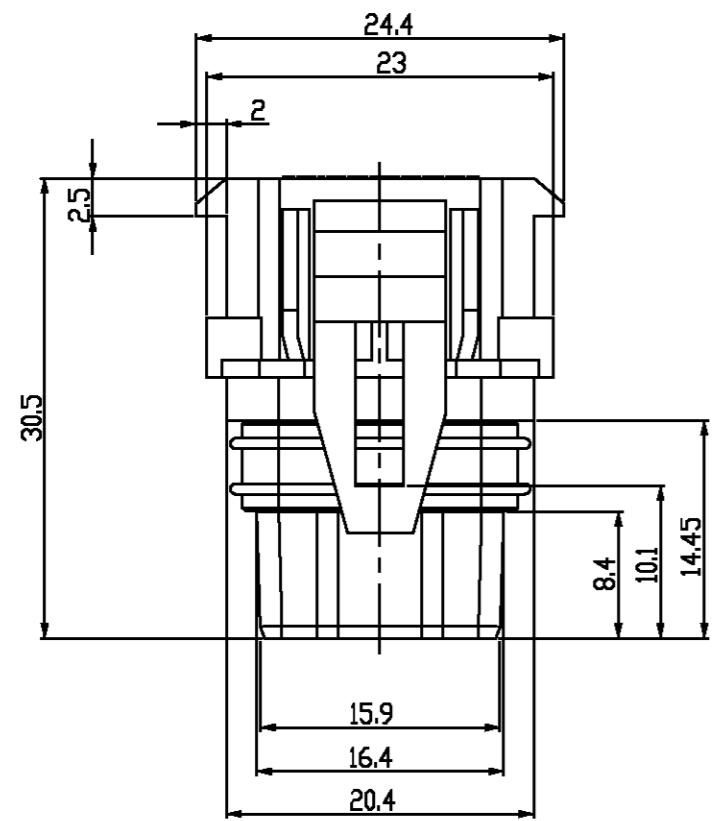


LOC	DIST	REVISIONS					
		P	LTR	DESCRIPTION	DATE	DWN	APVD
DS		A		REVISED(RD97-044)	03SEP'97	YJ	JK
		B		REVISED (FC00-0086-04)	28MAY'04	YJ	JK
		C		REVISED (ECR-06-005229)	03MAR'06	GC	JK
		D		REVISED(ECR-07-011015)	11MAY'07	IS	JK



NOTE
 1.APPLICABLE PRODUCT SPEC: 108-61025
 2.APPLICABLE CONTACT P/N

	P/N	DESCRIPTION	WIRE SIZE
TML	929941	JPT CONTACT	0.3mm ²
	929939	JPT CONTACT	0.5-1.0mm ²
	929937	JPT CONTACT	1.0-2.5mm ²
	927772-3	JPT CONTACT	0.3mm ²
	927770-3	JPT CONTACT	0.5-1.0mm ²
	927766-3	JPT CONTACT	1.0-2.5mm ²

NO	COLOR	MATERIAL	DESCRIPTION	P/N	Q'TY
2	ORANGE	SILICONE	INNER SEAL	0-368839-1	1
1	BLACK	PA66-GF15	JPT 3P PLUG HSG	0-368129-1	1

THIS DRAWING IS A CONTROLLED DOCUMENT FOR TYCO ELECTRONICS CORPORATION. IT IS SUBJECT TO CHANGE AND THE CONTROLLING ENGINEERING ORGANIZATION SHOULD BE CONTACTED FOR THE LATEST REVISION.

DIMENSIONS: MM	TOLERANCES UNLESS OTHERWISE SPECIFIED: 0 PLC ±0.3 1 PLC ±0.3 2 PLC ±0.3 3 PLC ±0.3 4 PLC ±0.3 ANGLES ±3
3rd ANGLE PROJECTION	FINISH
SEE NOTE	

DWNIS SHIN
 CHK YH CHOI
 APVD JK SONG

tyco Electronics Tyco Electronics
 Kyungsan, Korea

NAME: JUNIOR POWER TIMER 3P FOR FUEL TPS CONNECTOR ASS'Y

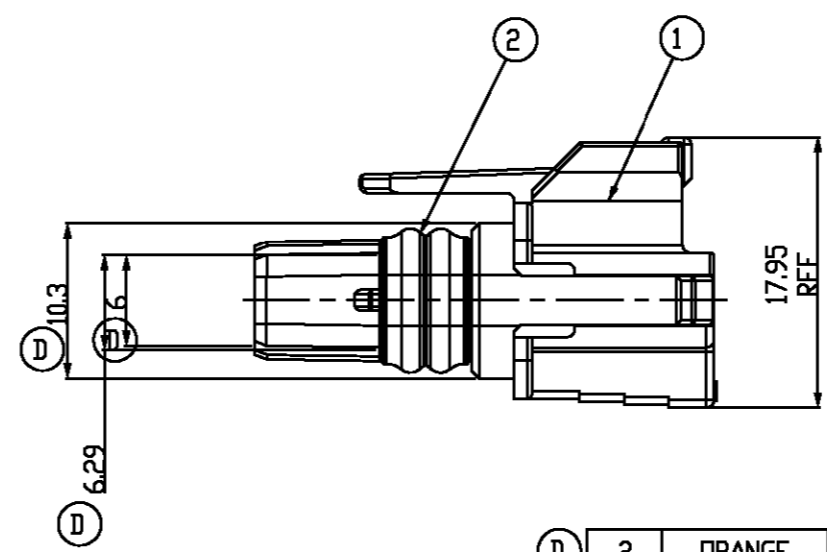
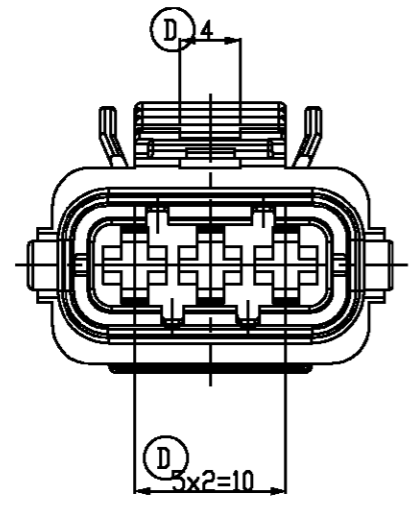
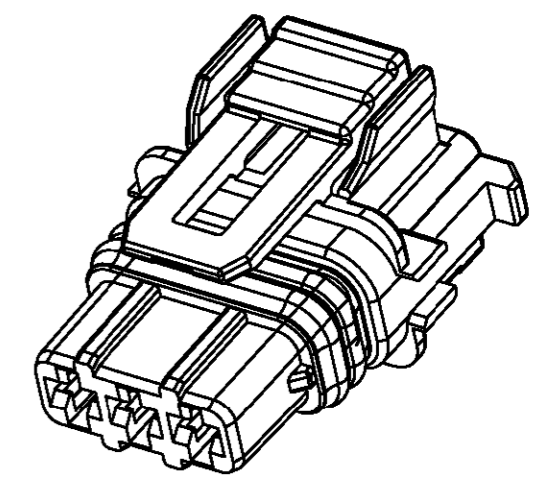
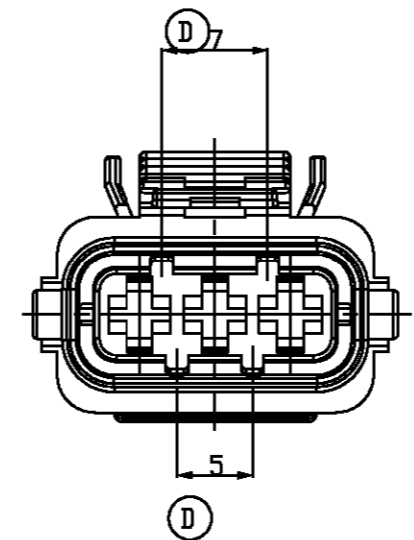
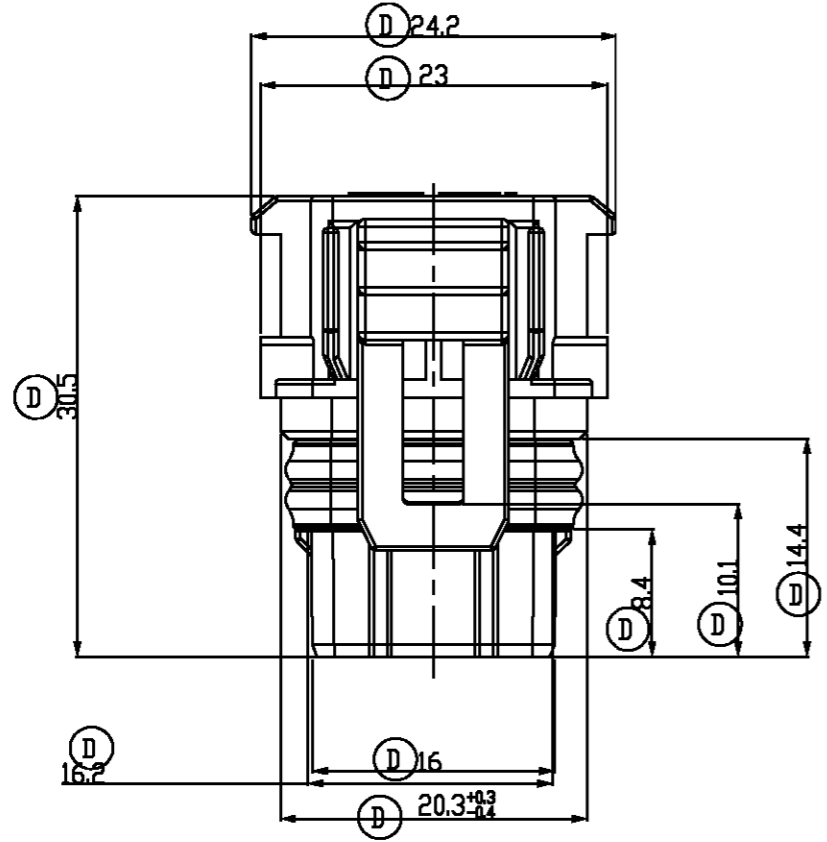
SIZE: A3 CAGE CODE: 00779 DRAWING NO: C=368161 RESTRICTED TO: []

WEIGHT: []

CUSTOMER DRAWING SCALE: 2:1 SHEET: 1 OF 3 REV: D

THIS DRAWING IS UNPUBLISHED. RELEASED FOR PUBLICATION
 © COPYRIGHT BY TYCO ELECTRONICS CORPORATION. ALL RIGHTS RESERVED.

LOC	DS	DIST	REVISIONS						
			P	LTR	DESCRIPTION	DATE	DWN	APVD	
					SEE SHEET 1				



NO	COLOR	MATERIAL	DESCRIPTION	P/N	Q'TY	ASSY P/N
2	ORANGE	SILICONE	INNER SEAL	0-368839-2	1	1-368161-3
1	DARK GRAY	PA66-GF15	JPT 3P PLUG HSG	1-1897330-3	1	1-368161-2
1	BLACK	PA66-GF15	JPT 3P PLUG HSG	1-1897330-2	-	1

THIS DRAWING IS A CONTROLLED DOCUMENT FOR TYCO ELECTRONICS CORPORATION. IT IS SUBJECT TO CHANGE AND THE CONTROLLING ENGINEERING ORGANIZATION SHOULD BE CONTACTED FOR THE LATEST REVISION.

DIMENSIONS: MM	TOLERANCES UNLESS OTHERWISE SPECIFIED: 0 PLC ± 1 PLC ± SEE SHEET 1 2 PLC ± 3 PLC ± 4 PLC ± ANGLES ±	FINISH: -	DWN/SHIN	Tyco Electronics Kyungsan, Korea
3RD ANGLE PROJECTION			CHKYM CHOI	
MATERIAL: SEE SHEET 1			APVD/IK SONG	NAME: JUNIOR POWER TIMER 3P FOR FUEL TPS CONNECTOR ASS'Y
			PRODUCT SPEC	SIZE: A3
			APPLICATION SPEC	CAGE CODE: C=368161
			WEIGHT	DRAWING NO: C=368161
			CUSTOMER DRAWING	RESTRICTED TO: D
				SCALE: 1:1
				SHEET: 2 OF 3
				REV: D

THIS DRAWING IS UNPUBLISHED.

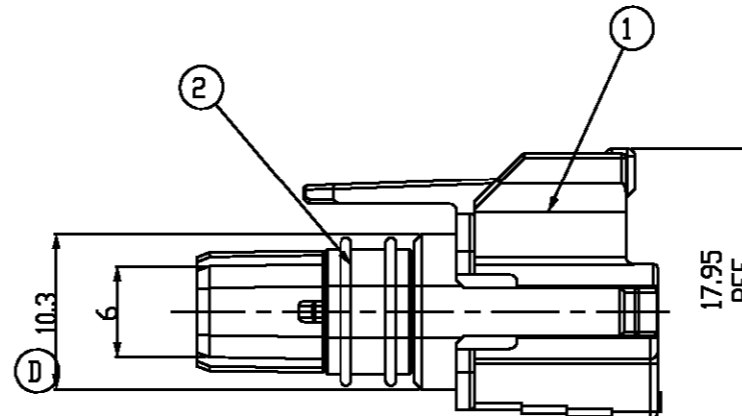
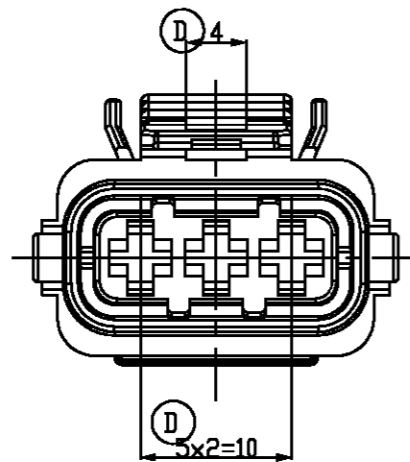
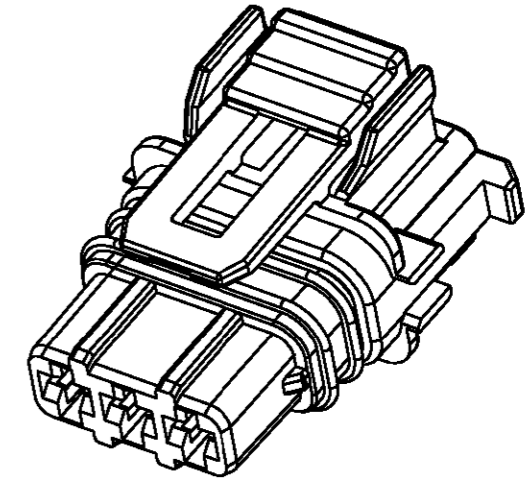
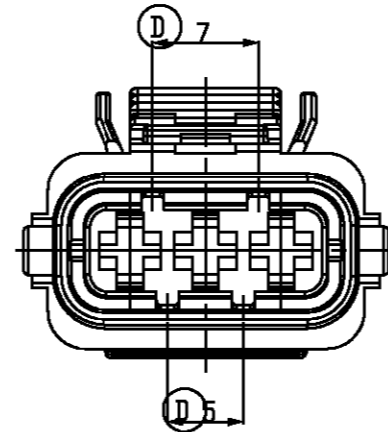
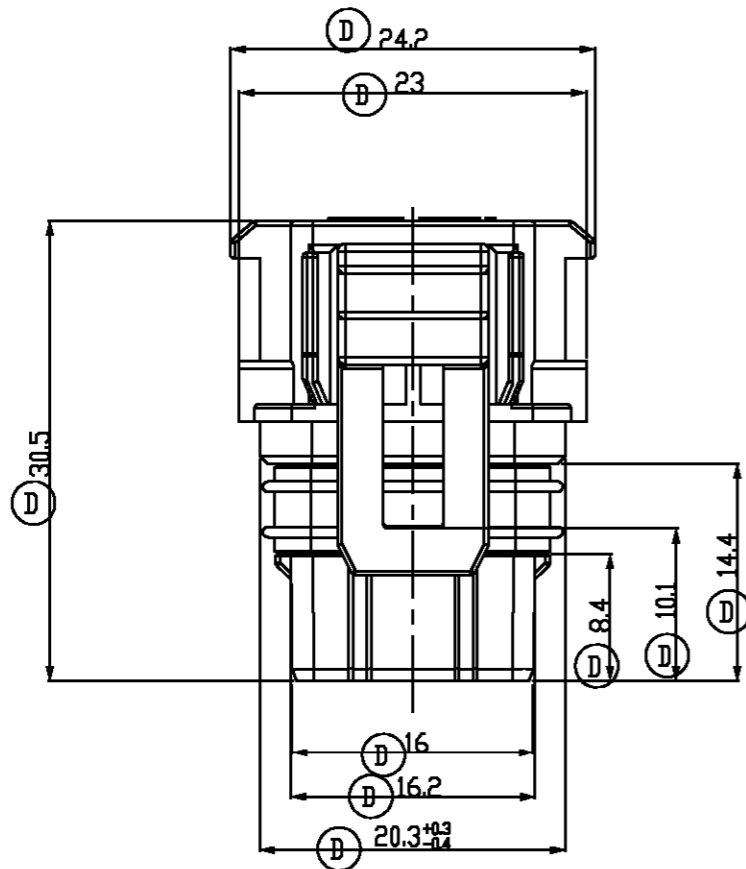
RELEASED FOR PUBLICATION

© COPYRIGHT BY TYCO ELECTRONICS CORPORATION. ALL RIGHTS RESERVED.

LOC DS DIST

REVISIONS

P	LTR	DESCRIPTION	DATE	DWN	APVD
		SEE SHEET 1			



NO	COLOR	MATERIAL	DESCRIPTION	P/N	Q'TY
2	BLUE	SILICONE	INNER SEAL	1-368839-1	1 1
1	DARK GRAY	PA66-GF15	JPT 3P PLUG HSG	1-1897330-3	1 -
1	BLACK	PA66-GF15	JPT 3P PLUG HSG	1-1897330-2	- 1

ASSY P/N	REV
2-368161-3	A
2-368161-2	A

THIS DRAWING IS A CONTROLLED DOCUMENT FOR TYCO ELECTRONICS CORPORATION. IT IS SUBJECT TO CHANGE AND THE CONTROLLING ENGINEERING ORGANIZATION SHOULD BE CONTACTED FOR THE LATEST REVISION.

DIMENSIONS: MM	TOLERANCES UNLESS OTHERWISE SPECIFIED:
0 PLC	±
1 PLC	± SEE SHEET 1
2 PLC	±
3 PLC	±
4 PLC	±
ANGLES	±
MATERIAL	FINISH
SEE SHEET 1	-

tyco Electronics Tyco Electronics Kyungsan, Korea

NAME: JUNIOR POWER TIMER 3P FOR FUEL TPS CONNECTOR ASS'Y

SIZE: A3 CAGE CODE: C=368161 DRAWING NO: RESTRICTED TO

CUSTOMER DRAWING SCALE: 1:1 SHEET 3 OF 3 REV D