

Tab Contacts

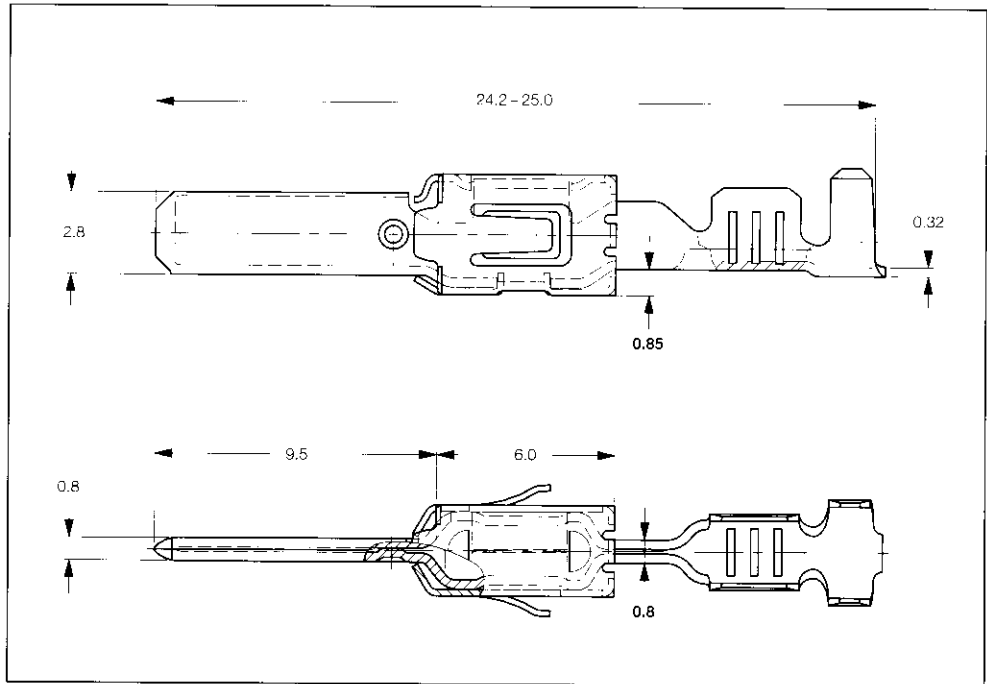
**Tabs 2.8 x 0.8 mm,
with Modified
Steel Top Spring,
Mates with
AMP MCP 2.8(K)
Contact System**

Extraction Tool:
Part No. **968107-1**

Product Group Drawing:
1355364

Product Specification:
108-18063

Application Specification:
114-18051



Standard Tab Contacts with Modified Spring (STC)

Wire Size Range (mm ²)	Insulation Diameter		Material and Finish *	Part Numbers					Hand Tool 539635-1 with Die Set
	FLK (mm)	FLR (mm)		Strip Form	Packaging Unit	Loose-Piece	Packaging Unit	Applicator *	
0.2-0.5	-	1.15-1.60	1-xxx-3 / 2-xxx-1	964292	4,000	964291	500	x-878950-x	
0.5-1.0	-	1.4-2.1	1-xxx-3 / 2-xxx-1	964294	4,000	964293	500	x-878937-x	539664-2
1.25-2.50	-	2.2-3.0	1-xxx-3 / 2-xxx-1	964296	3,300	964295	500	x-878704-x	

Tab Contacts Single Wire Sealing System with Modified Spring (SWS) – Use Seals from Page 79

Wire Size Range (mm ²)	Insulation Diameter		Material and Finish *	Part Numbers					Hand Tool 539635-1 with Die Set
	FLK (mm)	FLR (mm)		Strip Form	Packaging Unit	Loose-Piece	Packaging Unit	Applicator *	
0.2-0.5	-	1.15-1.60	1-xxx-3 / 2-xxx-1	964298	3,500	964297	500	x-878952-x	
0.5-1.0	-	1.4-2.1	1-xxx-3 / 2-xxx-1	964300	3,500	964299	500	x-878953-x	539650-2
1.25-2.50	-	2.2-3.0	1-xxx-3 / 2-xxx-1	964302	3,500	964301	500	x-878954-x	

*) **Material and Finish:**
1-xxx-3 = CuSn, selective gold plated
2-xxx-1 = CuFe, pre-tin plated

*) The pre- and suffix for the applicators depends on the applied termination equipment.