

4

3

2

1

THIS DRAWING IS UNPUBLISHED.

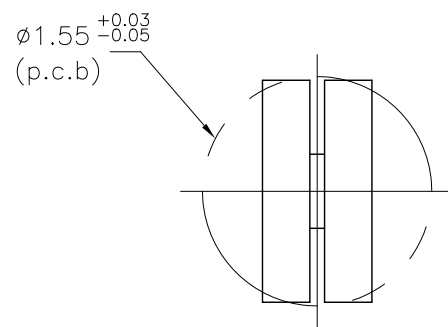
RELEASED FOR PUBLICATION

© COPYRIGHT BY TYCO ELECTRONICS CORPORATION, ALL RIGHTS RESERVED.

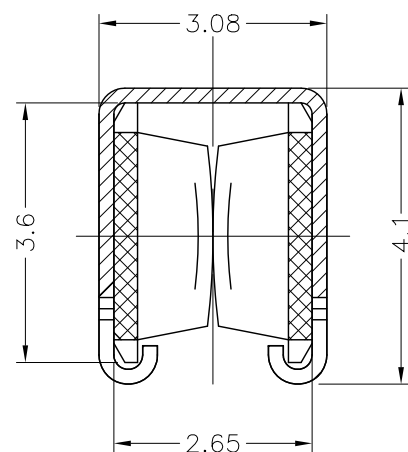
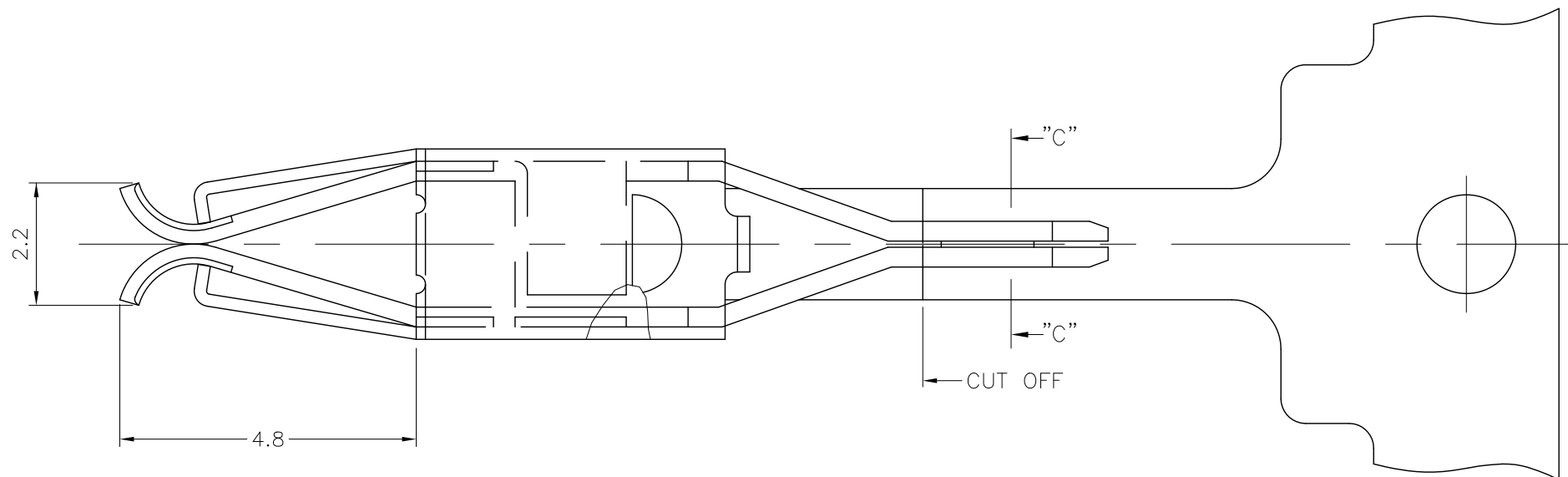
LOC DS DIST -

REVISIONS

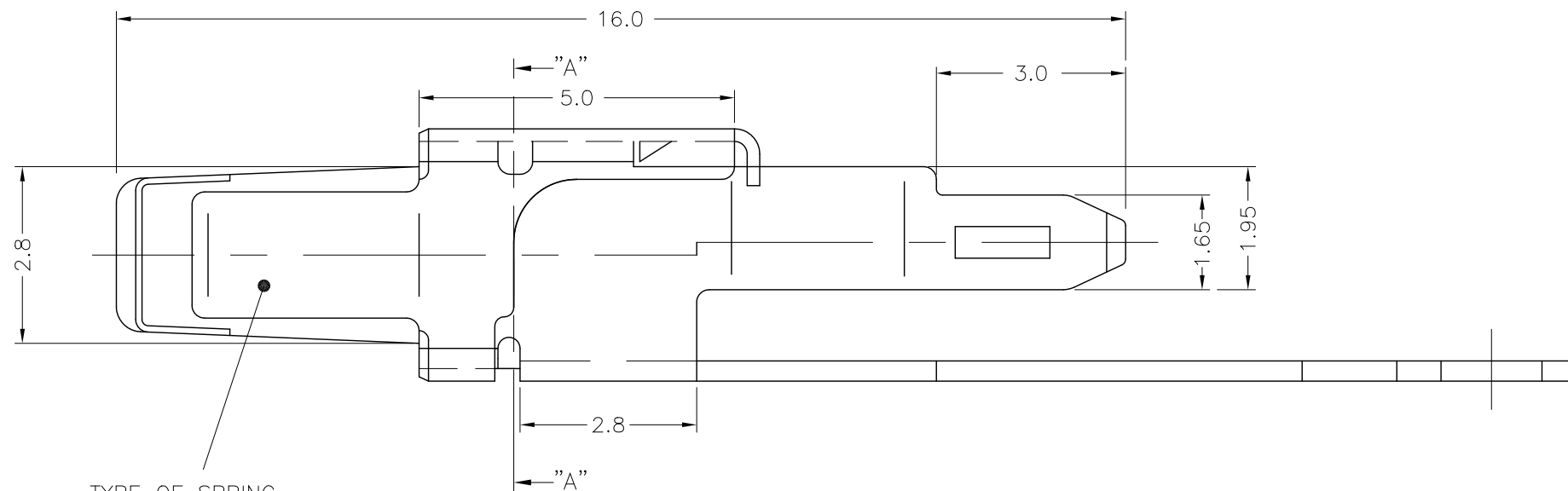
P	LTR	DESCRIPTION	DATE	DWN	APVD
F		REVISED (ECR-06-019590)	14.AGU.'06	JW	JK
G		REVISED (ECR-08-007658)	22.APR.'08	JW	JK



SECTION "C-C"
scale = 20/1

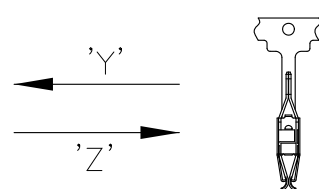


SECTION "A-A"



NOTE
© 1. THE 368067-3 IS ONLY FOR EXPORT.

DIRECTION OFF TOP OF REEL



'Z'	© 368067 -3
'Y'	1- 368067 -2
'Z'	368067 -2
TOP OF REEL	PART NUMBER

THIS DRAWING IS A CONTROLLED DOCUMENT FOR TYCO ELECTRONICS CORPORATION
IT IS SUBJECT TO CHANGE AND THE CONTROLLING ENGINEERING ORGANIZATION
SHOULD BE CONTACTED FOR THE LATEST REVISION.

DIMENSIONS: MM	TOLERANCES UNLESS OTHERWISE SPECIFIED: 0 <XX<10 ± 0.2 10<XX<30 ± 0.25 30<XX<100 ± 0.3 ANGLES ± 3°
MATERIAL CuNiSi Alloy 0.32Thk.	FINISH PRE-TINNED

DWN JW KIM	Tyco Electronics AMP KOREA, Kyungsan, Korea
CHK YJ YOON	
APVD JK SONG	
PRODUCT SPEC 108-61042	
APPLICATION SPEC -	NAME JPT TYPE MINI FUSE REC. CONTACT FOR P.C.B
WEIGHT -	SIZE A3
CUSTOMER DRAWING	CAGE CODE 00779
	DRAWING NO C-3 6 8 0 6 7
	RESTRICTED TO -
	SCALE 10/1
	SHEET 1 OF 1
	REV G