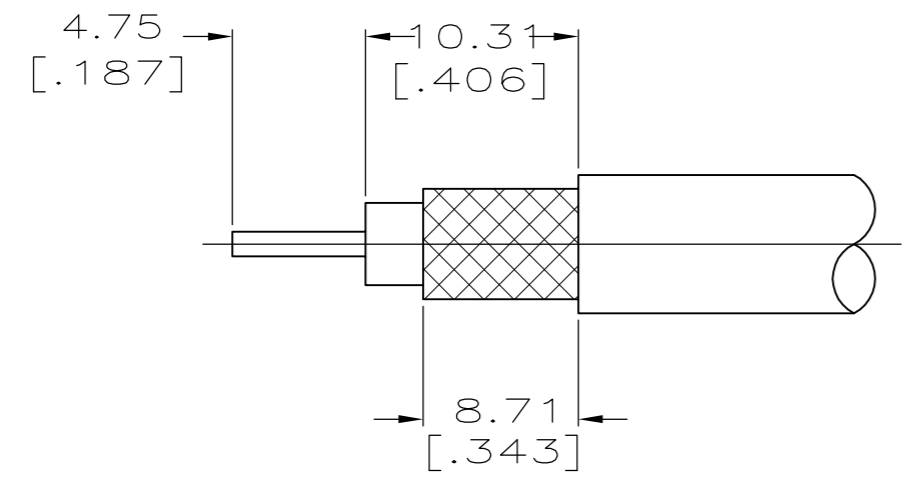


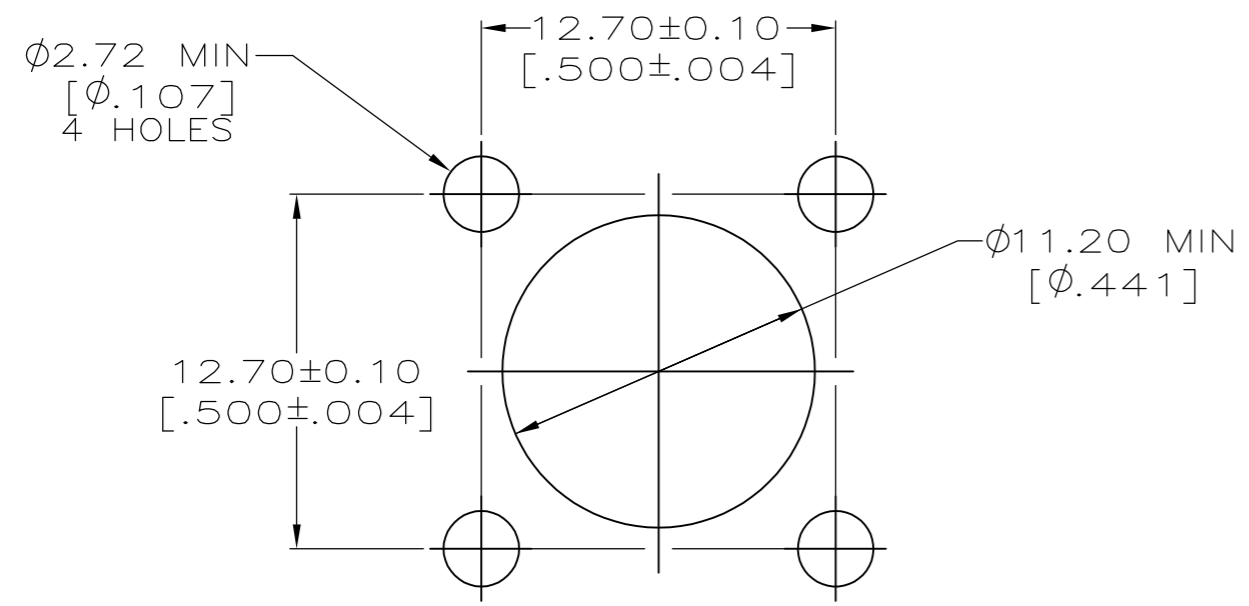
THIS DRAWING IS UNPUBLISHED. RELEASED FOR PUBLICATION
 © COPYRIGHT BY TYCO ELECTRONICS CORPORATION. ALL INTERNATIONAL RIGHTS RESERVED.

LOC		DIST		REVISIONS				DATE	OWN	APVD
P	LTR	DESCRIPTION								
	F	REV PER ECO 09-005977			4-12-09	PK	BM			

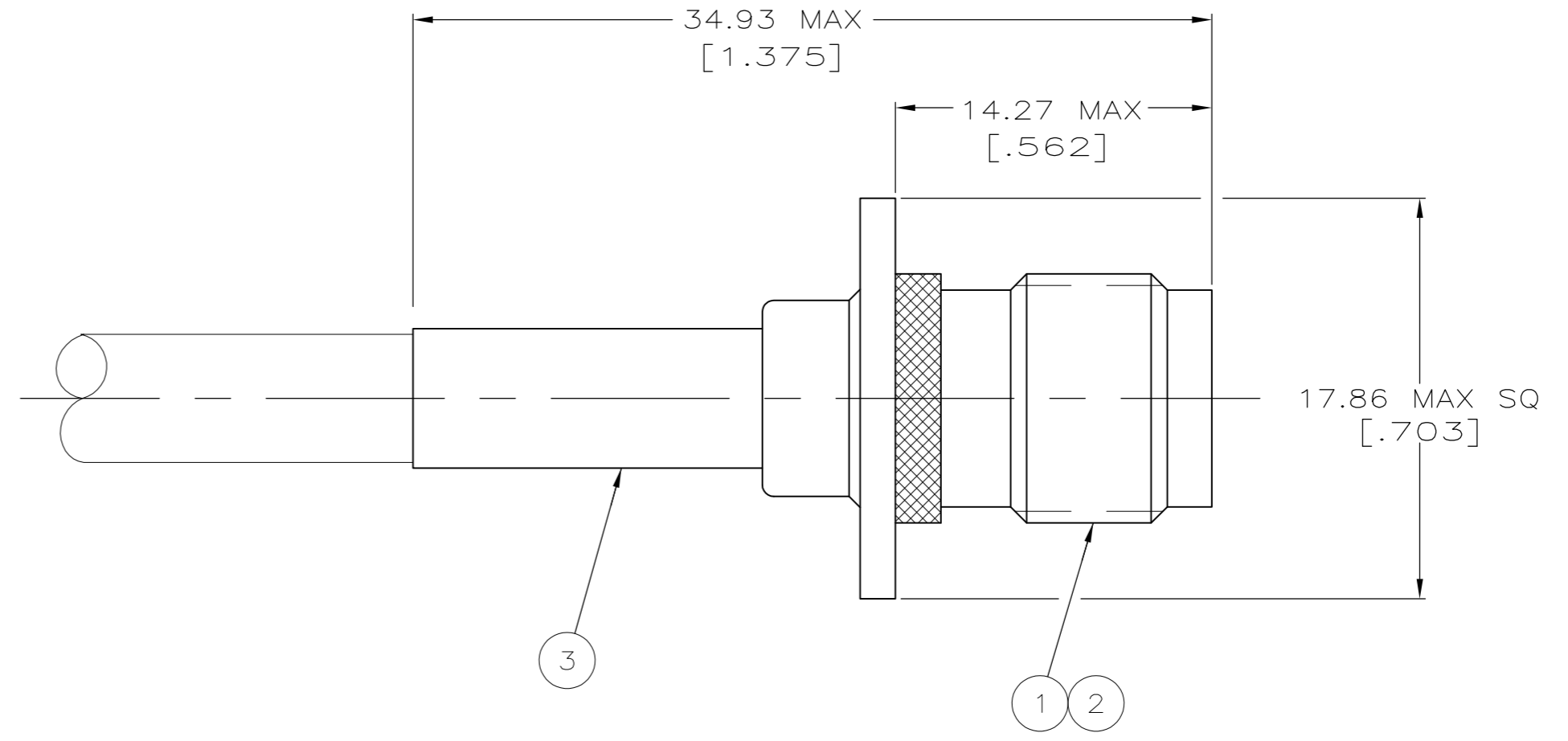


RECOMMENDED STRIP LENGTH

- 1. FOR USE WITH FILECA F1703/94 AND FILOTEX 50 MFCFB CABLE
- 2. SEE I.S. 408-2299-4



RECOMMENDED PANEL CUTOUT



-	1	220015-6	331256	225471-1	225613-3	1-225348-2
00779 M39012/29B0005 YY WW	RG-58A/U & RG-58C/U	220045-2	225381-2	225471-9	225474-1	225348-2
STAMPING	CABLE SIZE	CRIMP TOOL	3 FERRULE QTY=1	2 CONTACT QTY=1	1 JACK ASSEMBLY QTY=1	PART NUMBER

THIS DRAWING IS A CONTROLLED DOCUMENT.

DWN	B. SCOTT	3-13-91	Tyco Electronics Corporation Harrisburg, PA 17105-3608
CHK	J. LIPPERT	3-21-91	
APVD	-	-	
DIMENSIONS: mm [INCHES] TOLERANCES UNLESS OTHERWISE SPECIFIED: 0 PLC ± - 1 PLC ± - 2 PLC ± 0.41 [.016] 3 PLC ± - 4 PLC ± - ANGLES ± ± - MATERIAL - FINISH -			PRODUCT SPEC 108-12001 APPLICATION SPEC - WEIGHT - CUSTOMER DRAWING
NAME JACK, PANEL, SERIES TNC SIZE CAGE CODE DRAWING NO A2 00779 C-225348			RESTRICTED TO - SCALE 4:1 SHEET 1 OF 1 REV F