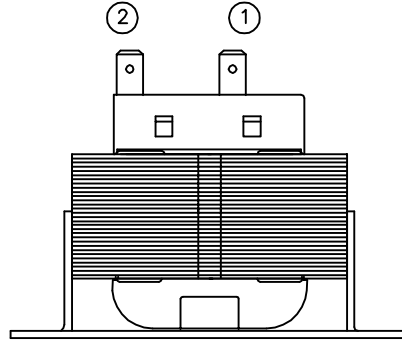
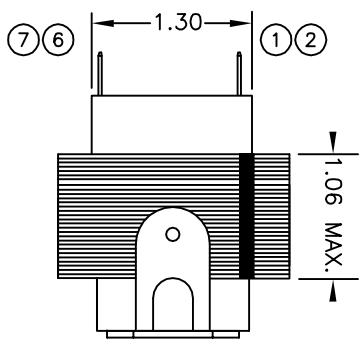
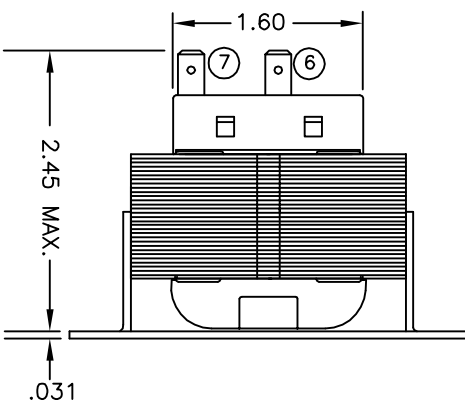
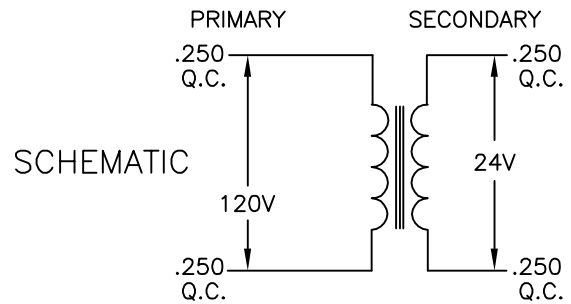
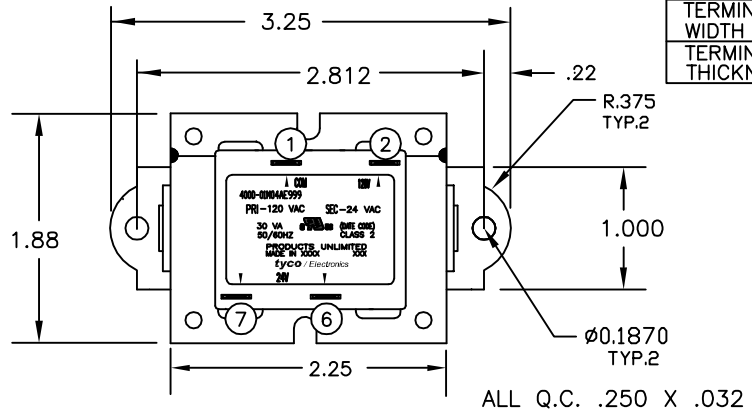


THIS DRAWING IS UNPUBLISHED. RELEASED FOR PUBLICATION
 © COPYRIGHT - BY TYCO ELECTRONICS CORPORATION. ALL RIGHTS RESERVED.

LOC	DIST	REVISIONS					
GZ	00	P	LTR	DESCRIPTION	DATE	DWN	APVD
		A		NEW FORMAT & EC0720-0089-04	13FEB04	MD	KH

PRIMARY			NOTES		CERTIFICATION:		
TERMINAL NO.	1	2	1.	DIMENSIONS FOR REFERENCE ONLY.	UL & CUL FILE NO. E87824		
VOLTAGE	COM	120	2.	WINDING PROTECTION-INHERENTLY LIMITING	SECONDARY		
TERMINAL WIDTH	.250	.250			TERMINAL NO.	6	7
TERMINAL THICKNESS	.032	.032			VOLTAGE	24	VAC
					TERMINAL WIDTH	.250	.250
					TERMINAL THICKNESS	.032	.032



THIS DRAWING IS A CONTROLLED DOCUMENT.

DIMENSIONS:	TOLERANCES UNLESS OTHERWISE SPECIFIED:
INCHES	0 PLC ± -
	1 PLC ± -
	2 PLC ± -
	3 PLC ± -
	4 PLC ± -
	ANGLES ± -
MATERIAL	FINISH
-	-

DWN	M.DAVIS	13FEB04
CHK	K.HOLSCHUH	13FEB04
APVD	K.HOLSCHUH	13FEB04
PRODUCT SPEC		
APPLICATION SPEC		
WEIGHT		
CUSTOMER DRAWING		

CUST. NO.	-	TYCO PART NUMBER	1611450-3
Products		Tyco Electronics Corporation	
-www.tycoelectronics.com		Harrisburg, Pa 17105-3608	
NAME			
TRANSFORMER OUTLINE			
SIZE	A3	CAGE CODE	00779
DRAWING NO	C=4000-01M04AE999		RESTRICTED TO
SCALE	NTS	SHEET	1 OF 1
REV	A		