

THIS DRAWING IS UNPUBLISHED. RELEASED FOR PUBLICATION
 © COPYRIGHT BY TYCO ELECTRONICS CORPORATION. ALL RIGHTS RESERVED.

LOC	DIST	REVISIONS		
GZ	00	P	LTR	DESCRIPTION
		B		EC0720-0095-03
			DATE	DWN
			17OCT03	MD
				APVD
				KH

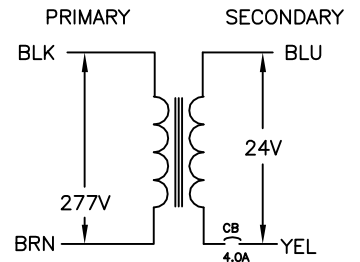
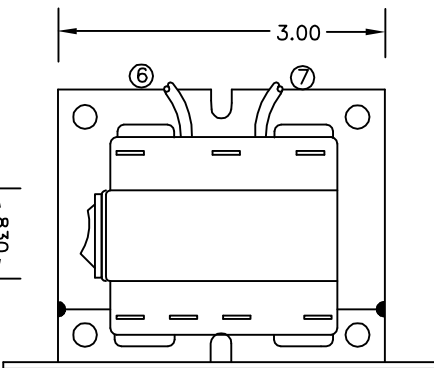
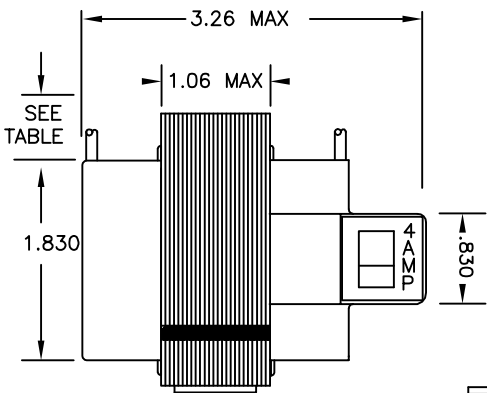
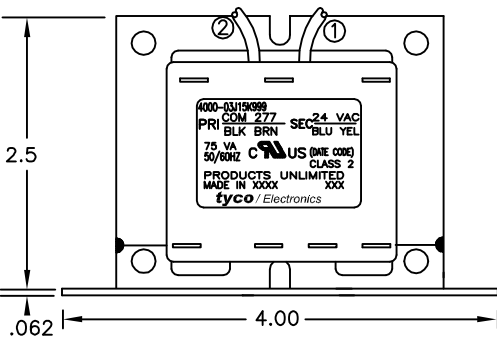
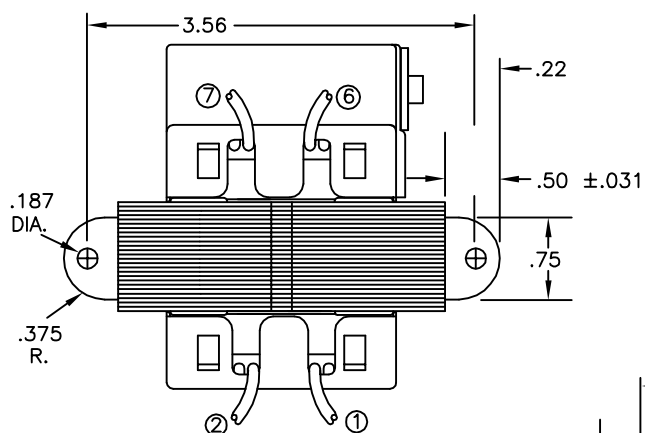
ALL LEADS 18AWG-UNLESS OTHERWISE SPECIFIED

PRIMARY					
LEAD NO.	1	2	3	4	5
VOLTAGE	COM	277			
COLOR	BLK	BRN			
LENGTH	12.0	12.0			
STRIP LENGTH	.50	.50			

NOTES
 1. DIMENSIONS FOR REFERENCE ONLY.
 2. ALL LEADS +1"/-0" TOL.
 3. STRIP TOL. ±1/32
 4. WINDING PROTECTION- INTERNALLY PROTECTED-4.0 AMP CIRCUIT BREAKER.

CERTIFICATION:
 UL & CUL FILE NO. E87824

SECONDARY				
LEAD NO.	6	7	8	9
VOLTAGE	24	VAC		
COLOR	BLU	YEL		
LENGTH	12.0	12.0		
STRIP LENGTH	.50	.50		



SCHEMATIC

TYCO PART NUMBER
 3-1611468-4

THIS DRAWING IS A CONTROLLED DOCUMENT.		DWN	14OCT1996	Tyco Electronics Corporation Harrisburg, PA 17105-3608	
DIMENSIONS: INCHES		CHK	-	Products WWW.TYCOELECTRONICS.COM	
TOLERANCES UNLESS OTHERWISE SPECIFIED:		APVD	-	NAME	
0 PLC ± -		PRODUCT SPEC	-	TRANSFORMER OUTLINE	
1 PLC ± -		APPLICATION SPEC	-	SIZE	A3
2 PLC ± -		WEIGHT	-	CAGE CODE	00779
3 PLC ± -		CUSTOMER DRAWING	-	DRAWING NO	C= 4000-03J15K999
4 PLC ± -				RESTRICTED TO	-
ANGLES ± -				SCALE	NONE
MATERIAL				SHEET	1 OF 1
FINISH				REV	B