

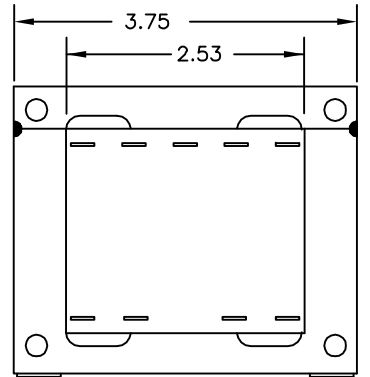
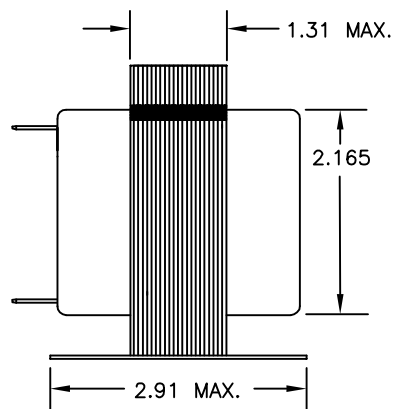
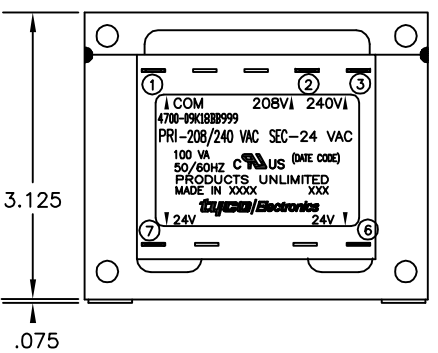
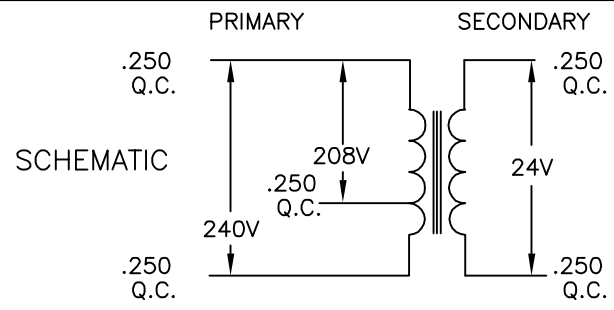
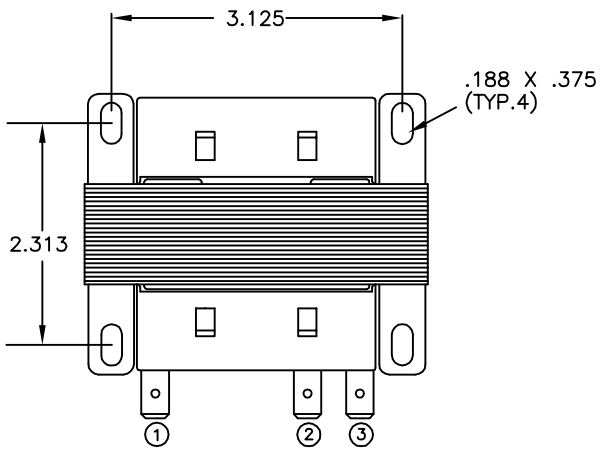
THIS DRAWING IS UNPUBLISHED. RELEASED FOR PUBLICATION  
 © COPYRIGHT - BY TYCO ELECTRONICS CORPORATION. ALL RIGHTS RESERVED.

LOC	DIST	REVISIONS					
GZ	00	P	LTR	DESCRIPTION	DATE	DWN	APVD
		A		NEW FORMAT & EC0720-0054-04	03FEB04	MD	WS

ALL LEADS 18AWG--UNLESS OTHERWISE SPECIFIED					
PRIMARY					
TERMINAL NO.	1	2	3	4	5
VOLTAGE	COM	208	240		
TERMINAL WIDTH	.250	.250	.250		
TERMINAL THICKNESS	.032	.032	.032		

- NOTES
1. DIMENSIONS FOR REFERENCE ONLY.
  2. ALL LEADS +1"/-0" TOL.
  3. STRIP TOL. ±1/32
  4. WINDING PROTECTION--NONE

CERTIFICATION:UL FILE NO. E102980					
SECONDARY					
TERMINAL NO.	6	7	8	9	
VOLTAGE	24	VAC			
TERMINAL WIDTH	.250	.250			
TERMINAL THICKNESS	.032	.032			



THIS DRAWING IS A CONTROLLED DOCUMENT.

DIMENSIONS:	TOLERANCES UNLESS OTHERWISE SPECIFIED:
INCHES	
	0 PLC ± -
	1 PLC ± -
	2 PLC ± -
	3 PLC ± -
	4 PLC ± -
	ANGLES ±1°

MATERIAL	FINISH
-	-

DWN	M.DAVIS	03FEB04
CHK	W.SORAH	03FEB04
APVD	W.SORAH	03FEB04
PRODUCT SPEC		
APPLICATION SPEC		
WEIGHT		
CUSTOMER DRAWING		

CUST. NO.	-	TYCO PART NUMBER	1-1611475-3
Products		Tyco Electronics Corporation	
UNLIMITED		Harrisburg, Pa 17105-3608	
NAME			
TRANSFORMER OUTLINE			
SIZE	A3	CAGE CODE	00779
DRAWING NO	C=4700-09K18BB999		RESTRICTED TO
SCALE	NTS	SHEET	1 OF 1
REV	A		