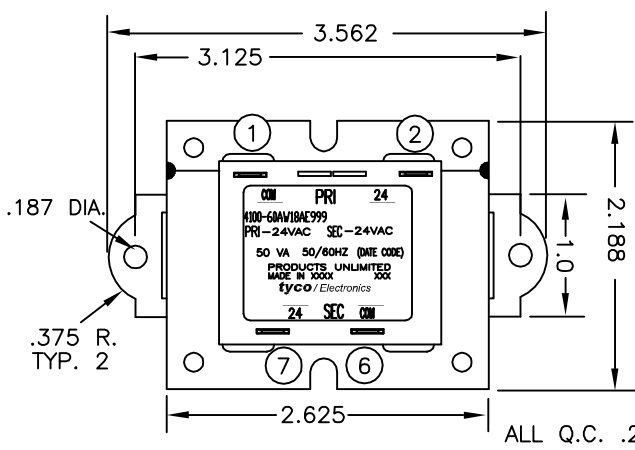


THIS DRAWING IS UNPUBLISHED. RELEASED FOR PUBLICATION
 © COPYRIGHT - BY TYCO ELECTRONICS CORPORATION. ALL RIGHTS RESERVED.

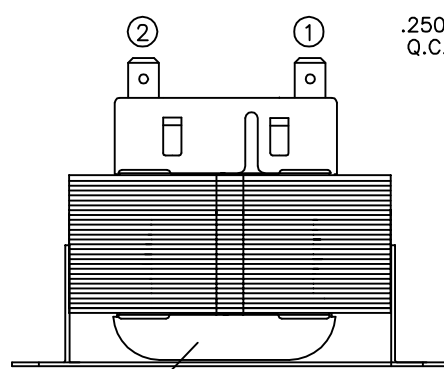
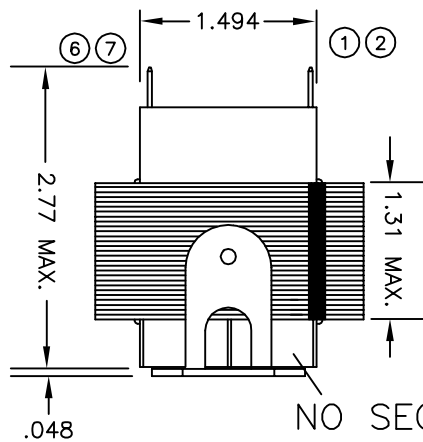
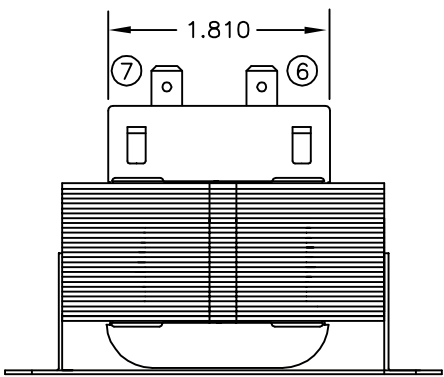
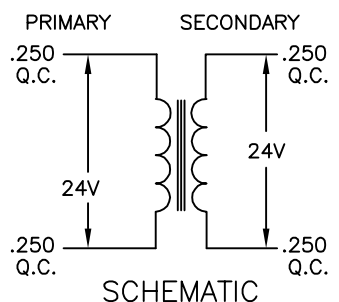
LOC	DIST	REVISIONS					
GZ	00	P	LTR	DESCRIPTION	DATE	DWN	APVD
		A		NEW FORMAT & EC0720-0161-04	11MAR04	MD	WS



PRIMARY			
TERMINAL NO.	1	2	3
VOLTAGE	COM	24	
TERMINAL WIDTH	.250	.250	
TERMINAL THICKNESS	.032	.032	

- NOTES
 1. DIMENSIONS FOR REFERENCE ONLY.
 2. WINDING PROTECTION—INHERENTLY LIMITING

SECONDARY		
TERMINAL NO.	6	7
VOLTAGE	COM	24
TERMINAL WIDTH	.250	.250
TERMINAL THICKNESS	.032	.032



NO SECOND COVER

CUST. NO.	TYCO PART NUMBER
-	1-1611458-5

THIS DRAWING IS A CONTROLLED DOCUMENT.		DWN	M.DAVIS	11MAR04		Tyco Electronics Corporation	
		CHK	W.SORAH	11AR04		Harrisburg, Pa 17105-3608	
DIMENSIONS:		TOLERANCES UNLESS OTHERWISE SPECIFIED:		APVD	W.SORAH	11MAR04	NAME
INCHES				PRODUCT SPEC		TRANSFORMER OUTLINE	
		0 PLC ± - 1 PLC ± - 2 PLC ± - 3 PLC ± - 4 PLC ± - ANGLES ± -		APPLICATION SPEC		-	
MATERIAL		FINISH		WEIGHT		RESTRICTED TO	
-		-		-		-	
CUSTOMER DRAWING				SIZE	CAGE CODE	DRAWING NO	
				A3	00779	C=4100-60AW18AE999	
				SCALE	NTS	SHEET	1 OF 1
				REV	A		