

THIS DRAWING IS UNPUBLISHED. RELEASED FOR PUBLICATION  
 © COPYRIGHT - BY TYCO ELECTRONICS CORPORATION. ALL RIGHTS RESERVED.

LOC	DIST	REVISIONS					
GZ	00	P	LTR	DESCRIPTION	DATE	DWN	APVD
		A		NEW FORMAT & EC0720-0161-04	11MAR04	MD	KH

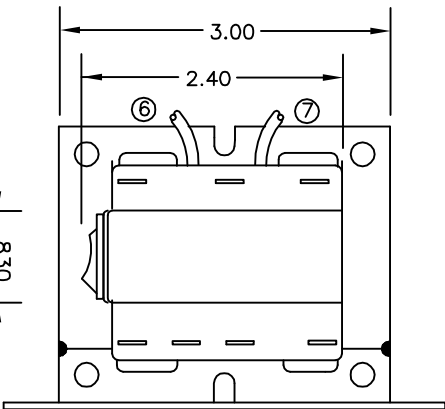
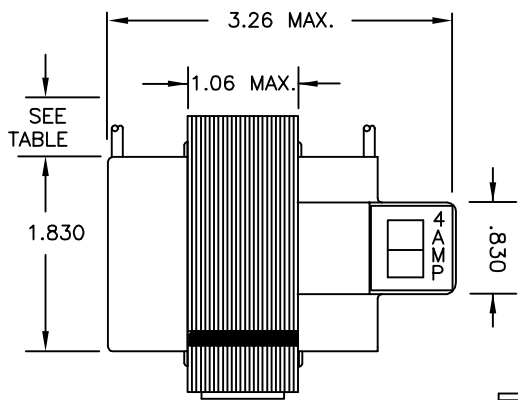
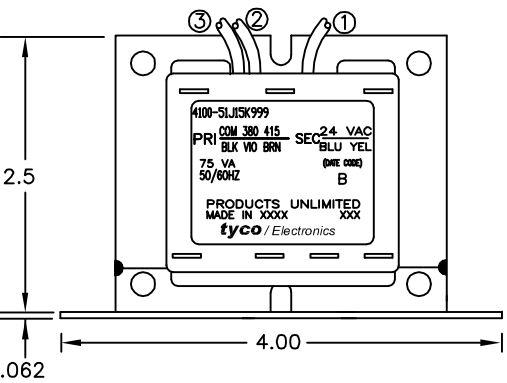
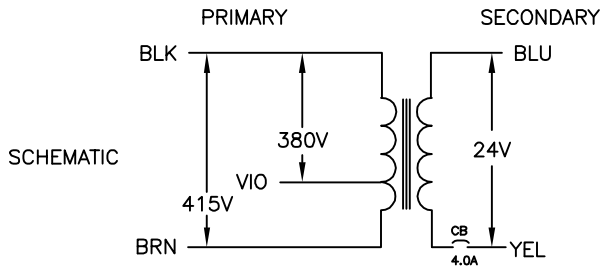
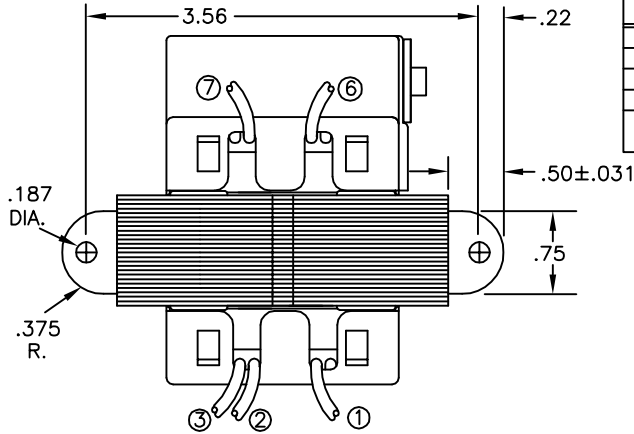
ALL LEADS 18AWG—UNLESS OTHERWISE SPECIFIED

PRIMARY					
LEAD NO.	1	2	3	4	5
VOLTAGE	COM	380	415		
COLOR	BLK	VIO	BRN		
LENGTH	12.0	12.0	12.0		
STRIP LENGTH	.50	.50	.50		

- NOTES
- DIMENSIONS FOR REFERENCE ONLY.
  - ALL LEADS +1"/-0" TOL.
  - STRIP TOL. ±1/32
  - WINDING PROTECTION—INTERNALLY PROTECTED—4.0 AMP CIRCUIT BREAKER.

CERTIFICATION:

SECONDARY				
LEAD NO.	6	7	8	9
VOLTAGE	24	VAC		
COLOR	BLU	YEL		
LENGTH	12.0	12.0		
STRIP LENGTH	.50	.50		



CUST. NO.	TYCO PART NUMBER
-	9-1611475-6

Tyco Electronics Corporation  
 Harrisburg, Pa 17105-3608

THIS DRAWING IS A CONTROLLED DOCUMENT.		DWN	M.DAVIS	11MAR04
DIMENSIONS:		CHK	K.HOLSCHUH	11MAR04
INCHES		APVD	K.HOLSCHUH	11MAR04
TOLERANCES UNLESS OTHERWISE SPECIFIED:		PRODUCT SPEC		
0 PLC	± .	APPLICATION SPEC		
1 PLC	± .	WEIGHT		
2 PLC	± .	CUSTOMER DRAWING		
3 PLC	± .	SCALE		
4 PLC	± .	SHEET		
4 ANGLES	± .	REV		
MATERIAL	FINISH	RESTRICTED TO		

NAME			
TRANSFORMER OUTLINE			
SIZE	CAGE CODE	DRAWING NO	RESTRICTED TO
A3	00779	C=4100-51J15K999	-

SCALE	NTS	SHEET	1	OF	1	REV	A
-------	-----	-------	---	----	---	-----	---