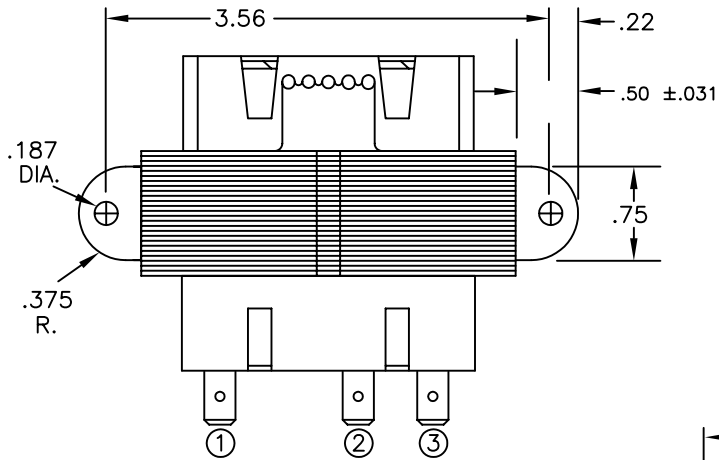


THIS DRAWING IS UNPUBLISHED. RELEASED FOR PUBLICATION  
 © COPYRIGHT BY TYCO ELECTRONICS CORPORATION. ALL RIGHTS RESERVED.

LOC GZ DIST 00

REVISIONS

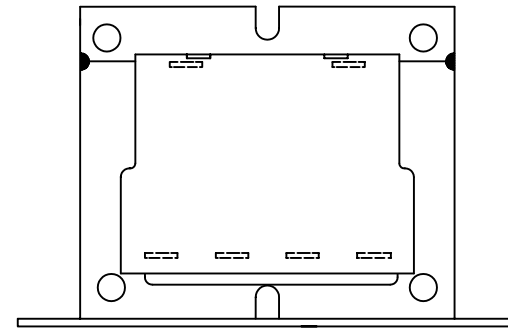
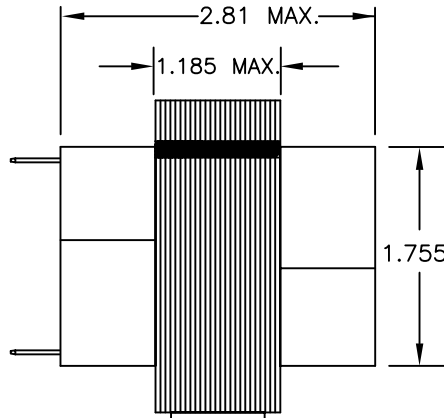
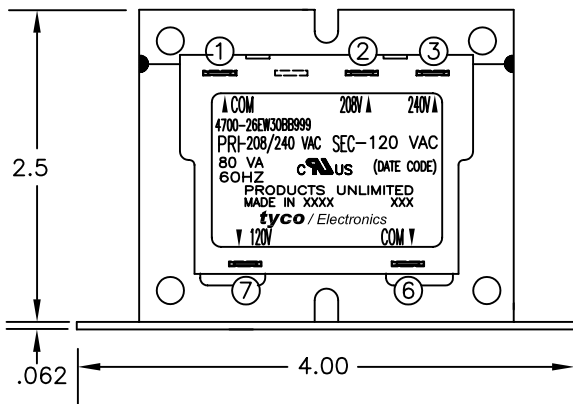
P	LTR	DESCRIPTION	DATE	DWN	APVD
0		0720-0427-04	30JUN04	KH	HT



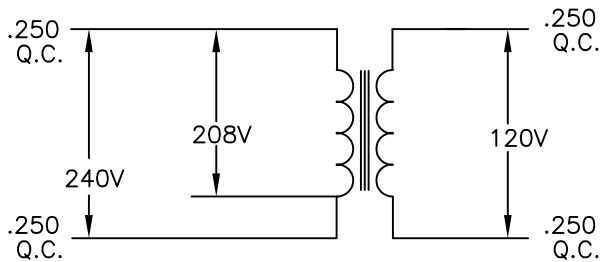
PRIMARY						SECONDARY				
TERM NO.	1	2	3	4	5	TERM NO.	6	7	8	9
VOLTAGE	COM	208	240			VOLTAGE	120	VAC		
TERMINAL WIDTH	.250	.250	.250			TERMINAL WIDTH	.250	.250		
TERMINAL THICKNESS	.032	.032	.032			TERMINAL THICKNESS	.032	.032		

NOTES:  
 1. DIMENSIONS FOR REFERENCE ONLY.  
 2. WINDING PROTECTION-NONE

CERTIFICATION:UL/CUL FILE NO E102980



PRIMARY SECONDARY



SCHMATIC

TYCO PART NUMBER  
8-1611470-5

THIS DRAWING IS A CONTROLLED DOCUMENT.		DWN K.H. 30JUN04	Tyco Electronics Corporation Harrisburg, PA 17105-3608	
DIMENSIONS: INCHES		CHK HT 30JUN04	Products www.products.com	
TOLERANCES UNLESS OTHERWISE SPECIFIED:		APVD DH 30JUN04	NAME	
0 PLC ± -		PRODUCT SPEC	TRANSFORMER OUTLINE	
1 PLC ± -		APPLICATION SPEC	P.U. STOCK	
2 PLC ±.010		WEIGHT	SIZE A3	CAGE CODE 00779
3 PLC ±.005		CUSTOMER DRAWING	DRAWING NO C=4700-26EW30BB999	RESTRICTED TO
4 PLC ± -		SCALE NTS	SHEET 1 OF 1	REV 0
ANGLES ± -				
MATERIAL				
FINISH				