

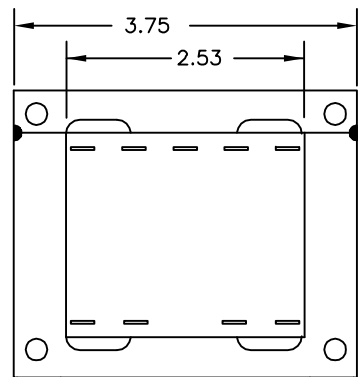
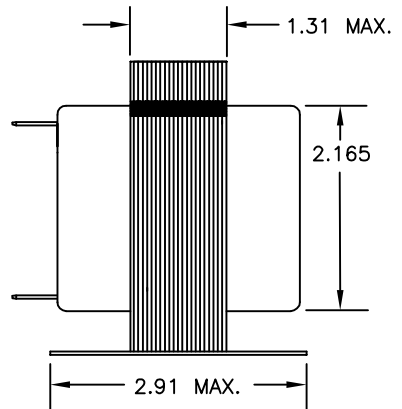
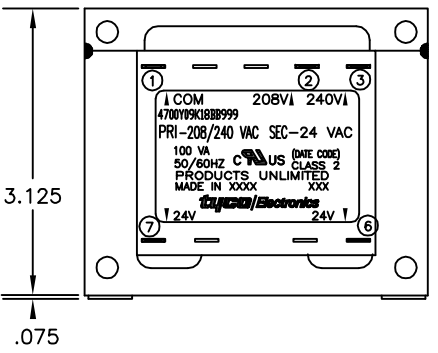
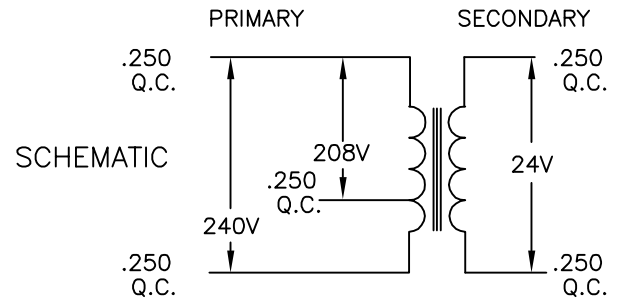
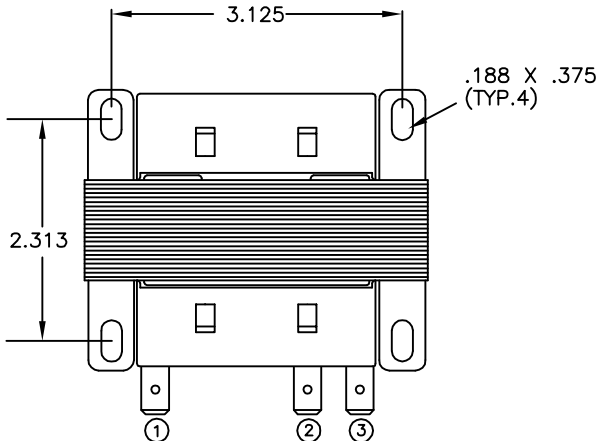
ALL LEADS 18AWG--UNLESS OTHERWISE SPECIFIED

TERMINAL NO.	1	2	3	4	5
VOLTAGE	COM	208	240		
TERMINAL WIDTH	.250	.250	.250		
TERMINAL THICKNESS	.032	.032	.032		

- NOTES
1. DIMENSIONS FOR REFERENCE ONLY.
 2. ALL LEADS +1"/-0" TOL.
 3. STRIP TOL. ±1/32
 4. WINDING PROTECTION--NONE

CERTIFICATION: UL FILE NO. E102980

SECONDARY					
TERMINAL NO.	6	7	8	9	
VOLTAGE	24	VAC			
TERMINAL WIDTH	.250	.250			
TERMINAL THICKNESS	.032	.032			



CUST. NO. -

TYCO PART NUMBER 4-1611471-7

THIS DRAWING IS A CONTROLLED DOCUMENT.

DIMENSIONS:	TOLERANCES UNLESS OTHERWISE SPECIFIED:
INCHES	
0 PLC	± .
1 PLC	± .
2 PLC	± .
3 PLC	± .
4 PLC	± .
ANGLES	± 1'

MATERIAL -

FINISH -

DWN	M.DAVIS	03FEB04
CHK	W.SORAH	03FEB04
APVD	W.SORAH	03FEB04
PRODUCT SPEC		
APPLICATION SPEC		
WEIGHT	-	

Products Tyco Electronics Corporation
Harrisburg, Pa 17105-3608

NAME TRANSFORMER OUTLINE

SIZE A3 CAGE CODE 00779 DRAWING NO C=4700Y09K18BB999 RESTRICTED TO -

CUSTOMER DRAWING SCALE NTS SHEET 1 OF 1 REV 0