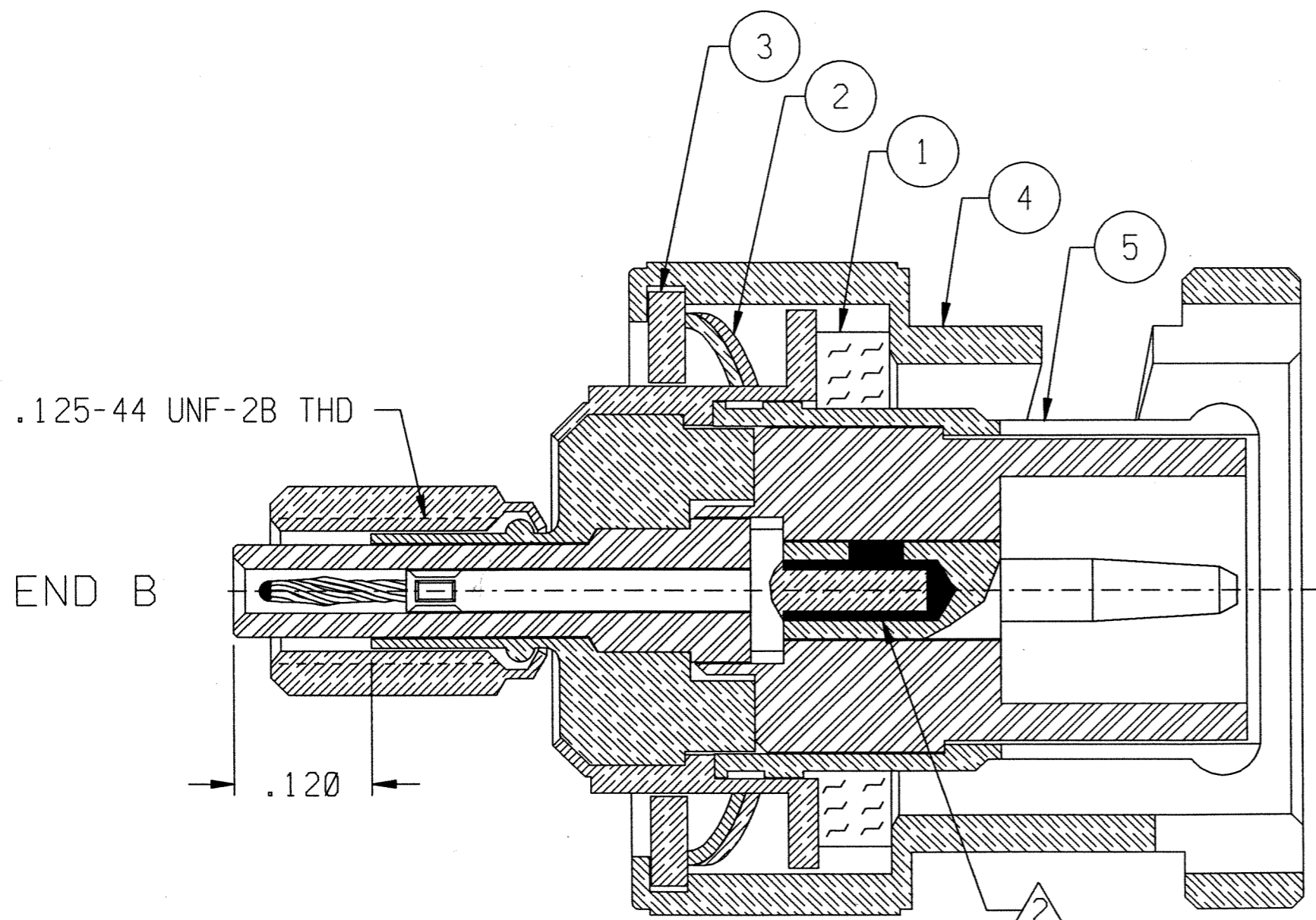


REVISION					
ZONE	LTR	ECN	DESCRIPTION	DATE	APPROVED
	D	39985	REVISED & REDRAWN. DIMS UPDATED. REVERSED INSTAL-LATION OF SPRING WASHER. SEE ECN.	2/28/00	ES
	E	42574	BOM: 329681 WAS 003-1356-001. 1-331347-2 WAS 003-135-001	8/30/04	AW




Tyco Dwg 4-1532006-0
Micro P/N 143-0001-0001

NOTES: UNLESS OTHERWISE SPECIFIED

- 1. MATES WITH:
END A - ALL BNC JACKS & RECEPTACLES.
END B - ALL LEPRA/CON 141 SCREW-ON JACKS AND RECEPTACLES.
- ② PIN CONTACT IS SOLDERED TO PIN CONTACT SUB-ASSEMBLY
- ③ SILVER PLATE PER QQ-S-365 .0002 MIN.
- ④ GOLD PLATE PER MIL-G-45204, TYPE II, GRADE C, CLASS 1.

QTY	PART NUMBER	DESCRIPTION	MATERIAL & FINISH	ITEM NO.
1	014-1029-0001	ADAPTER SUB-ASSEMBLY	③ ④	5
1	003-1353-0001 329681	BAYONET SLEEVE	BRASS QQ-B-626 ③	4
1	003-1353-0001	FLAT WASHER	BRASS QQ-B-626 ③	3
2	003-1356-0001 1-331347-2	SPRING WASHER	BERYLLIM COPPER QQ-C-530 ③	2
1	003-1348-0001	GASKET	SILICONE RUBBER ZZ-R-765	1

PARTS LISTS

UNLESS OTHERWISE SPECIFIED DIMENSIONS ARE IN INCHES. TOLERANCE ARE: FRACTIONS ± 1/8 DECIMALS .XX ± .01 .XXX ± .005 BREAK EDGES = .005 MAX ANGLES ± 2° MATERIAL: FINISH:	APPROVALS		 MICRODOT CONNECTORS A DIVISION OF UNI-STAR INDUSTRIES INC. 306 PASADENA AVE., SO. PASADENA, CA 91030 ADAPTER, BNC PLUG TO LEPRA/CON SCREW-ON PLUG PROD CODE 946 CODE CDM
	SIGNATURE	DATE	
	DRAWN BY: <i>ml...</i> P.E. <i>ES</i> M.E. Q.A.	2/28/00 2/28/00	
	THIS DOCUMENT IS THE PROPERTY OF MICRODOT CONNECTORS, A DIVISION OF UNI-STAR INDUSTRIES INC. USE OF THIS DOCUMENT OR ANY PART THEREOF IS STRICTLY FORBIDDEN WITHOUT THE EXPRESS WRITTEN PERMISSION OF MICRODOT CONNECTORS, A DIVISION OF UNI-STAR INDUSTRIES INC.		
SIZE CODE IDENT NO. DRAWING NO. B 98278 143-0001-0001		SCALE: NONE SHEET 1 OF 1	