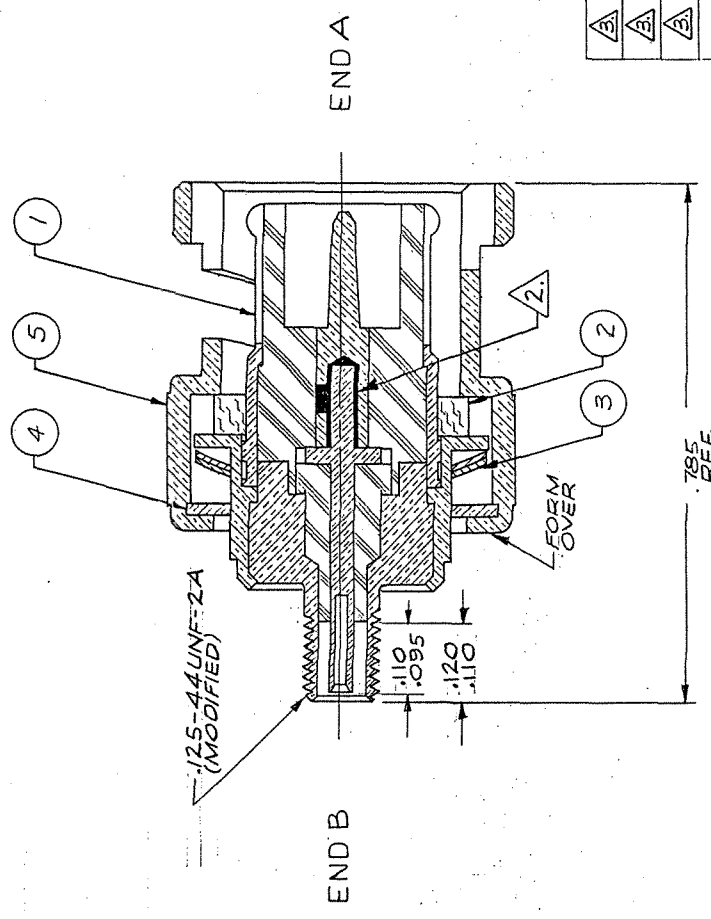


These drawings and specifications are the property of MALCO and are not to be reproduced or used in any manner without written permission of Microdot Inc.



- NOTES: (UNLESS OTHERWISE SPECIFIED)
- 1. MATES WITH:
 - END A - ALL BNC JACKS AND RECEPTACLES
 - END B - ALL LEPRACON 142 SCREW-ON SERIES PLUGS.
 - 2. SOCKET CONTACT IS SOLDERED TO PIN CONTACT.
 - 3. SILVER PLATE .0002 MIN.
 - 4. GOLD PLATE PER MIL-Q-45204, TYPE II, GRADE C, CLASS I.

| FINISH | QTY | PART NO. | NOMENCLATURE | MATERIAL & SPEC. | ITEM |
|--------|-----|---------------|------------------|--------------------------|------|
| 3 | 1 | 329681 | BAYONET SLEEVE | BRASS-QQ-B-626 | 5 |
| 3 | 1 | 009-1955-0001 | WASHER | BRASS-QQ-B-626 | 4 |
| 3 | 2 | 1-331947-2 | SPRING WASHER | PHOS. BRONZE-QQ-B-750 | 3 |
| 3 | 1 | 003-1348-0001 | GASKET | SILICONE RUBBER-ZZ-R-765 | 2 |
| 3 | 1 | 014-1028-0001 | ADAPTER SUB-ASSY | MATERIAL & SPEC. | 1 |

| LET | ECO | REVISION DESCRIPTION | DATE | APP |
|-----------------|----------|---|---------|-----|
| E | 4088 | 329681 WAS 009-1955-0001 | 5/11/66 | AW |
| D | 247 | 1-331947-2 WAS 003-1348-0001 | 7/1/66 | EH |
| C | 20 | 110/055 WAS 110/090 | 8/2/66 | EH |
| B | 16 | ITEM 3, QTY WAS 1'S ADD. NOTE 2, 3, 4. SEE ECN FOR OTHER CHANGES. | 8/11/66 | EH |
| A | 11 | REV. LETTER UP DATED | 8/11/66 | EH |
| ASSEMBLY | NO REQ'D | RELEASE D FOR PROZ. | 8/11/66 | EH |
| NEXT ASSEMBLIES | | | | |

MALCO
A MICRODOT COMPANY, INC.
220 PASADENA AVE., SO. PASADENA, CAL.

SURFACE TREATMENT: NOTED

MATERIAL: NOTED

STANDARD TOLERANCES UNLESS OTHERWISE SPECIFIED:
 DEC. = .015
 FRACTIONAL = .015
 HOLE DIA. = MAX. T.I.R.
 SURFACE ROUGHNESS = MICRO INCHES
 THREADS TO FIT = COMMERCIAL TOLERANCES
 APPLY TO STOCK DIMENSIONS

ADAPTER, BNC PLUG TO LEPRACON SCREW-ON RECEPTACLE

SCALE: 5/1
 DRAWN BY: U. N. 10/22/66
 CHECKED BY: DATE: 10/22/66
 DRAWING NUMBER: 143-0002-0001
 CODE: CDM

TYCO CUSTOMER NUMBER 2-1532223-1