

THIS DRAWING IS UNPUBLISHED.

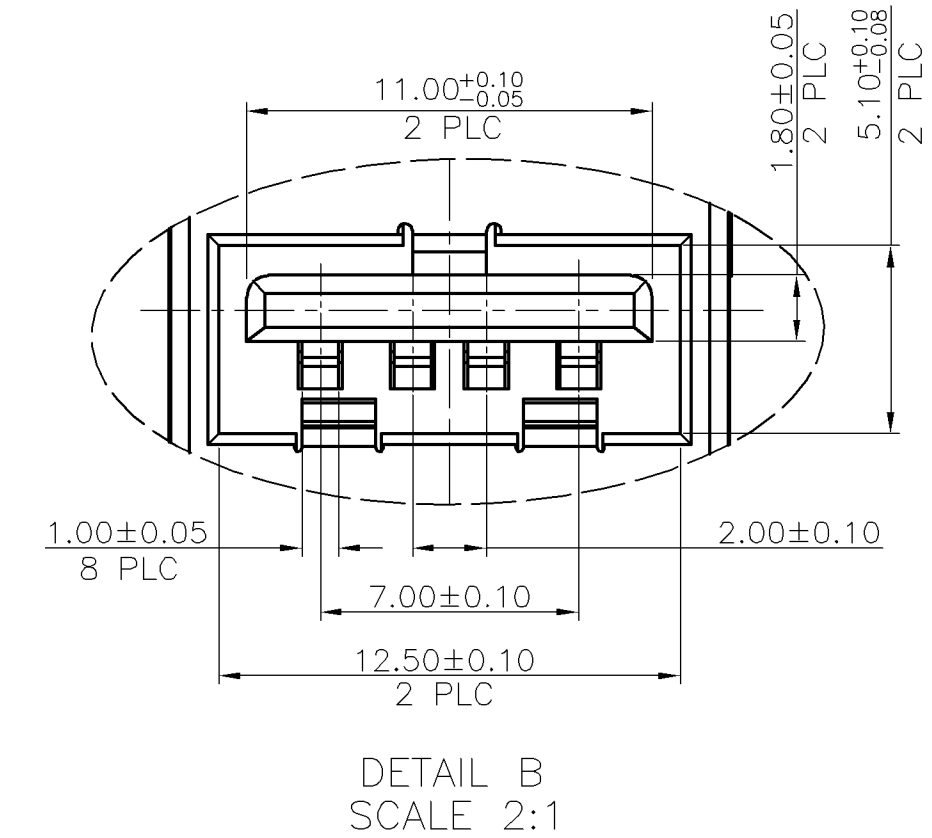
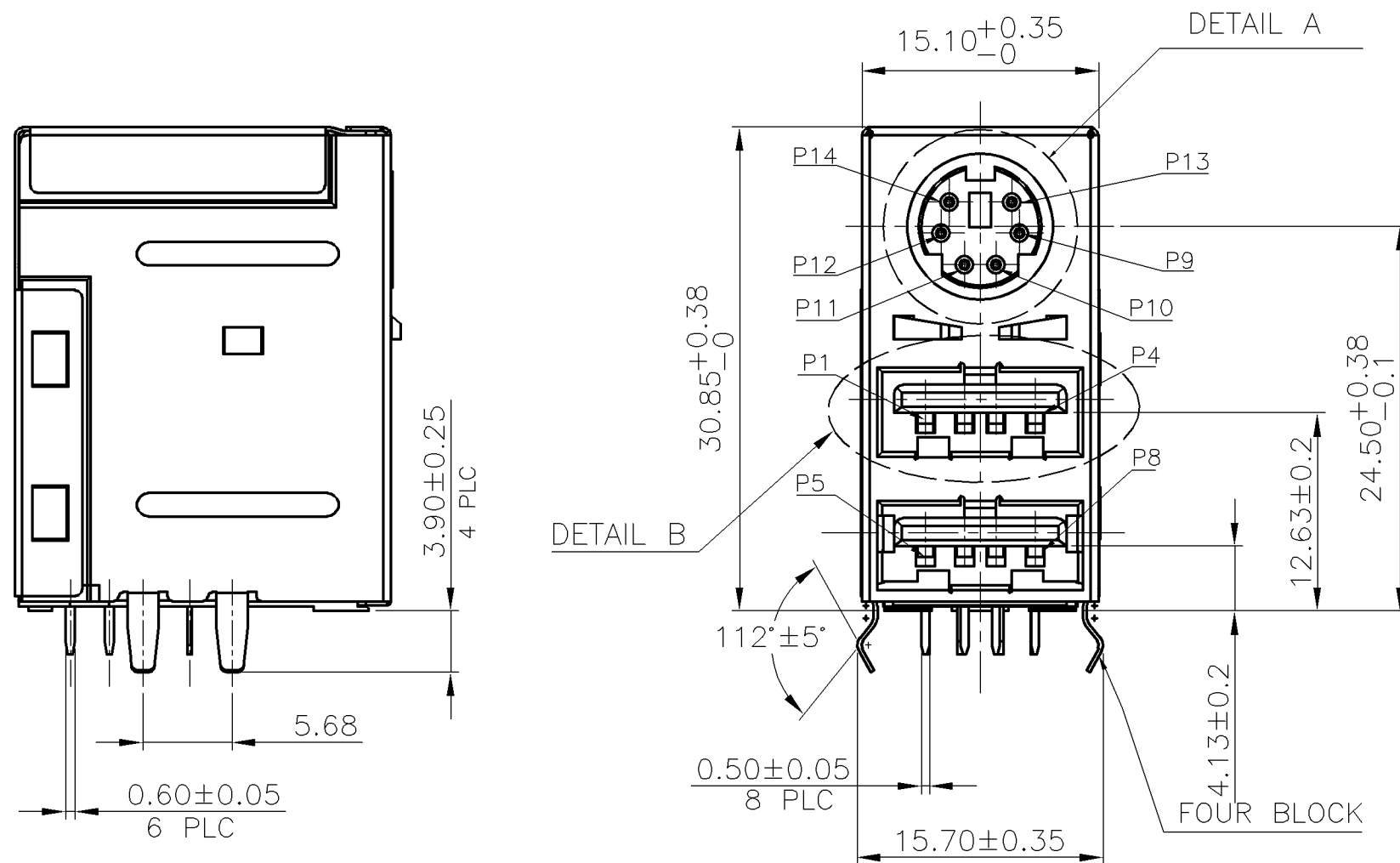
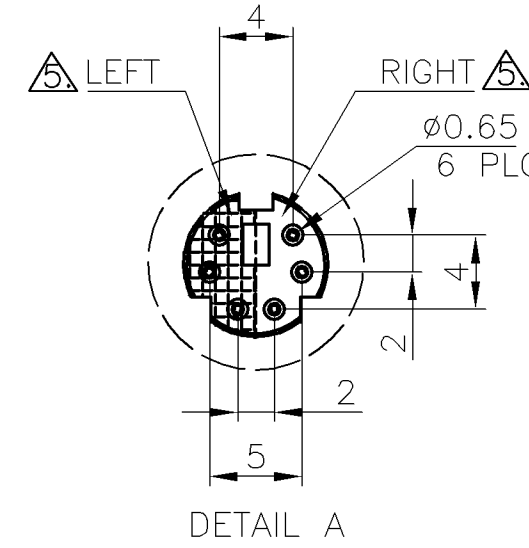
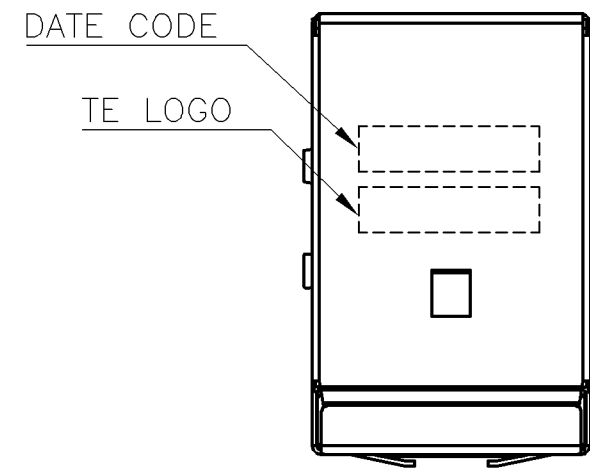
RELEASED FOR PUBLICATION AUG ,2006.

© COPYRIGHT - BY TYCO ELECTRONICS CORPORATION. ALL RIGHTS RESERVED.

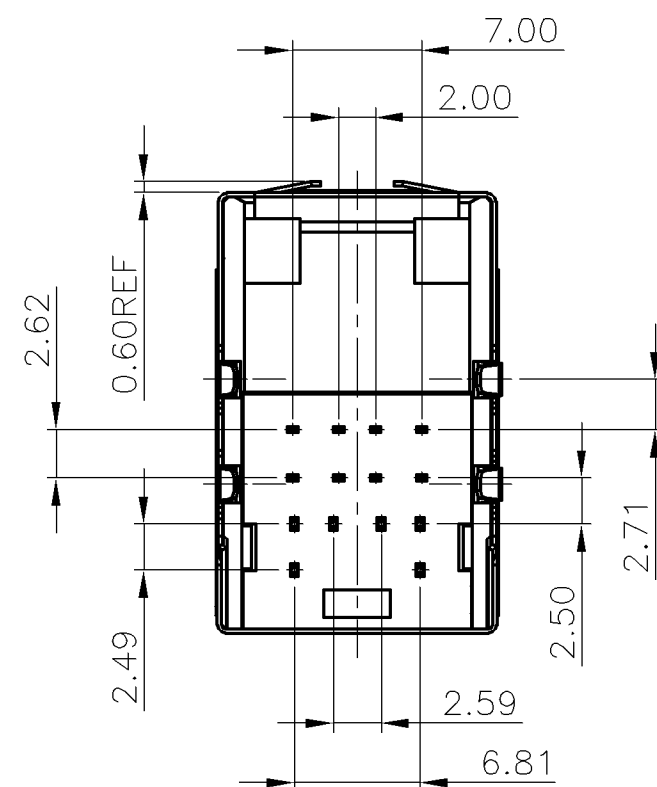
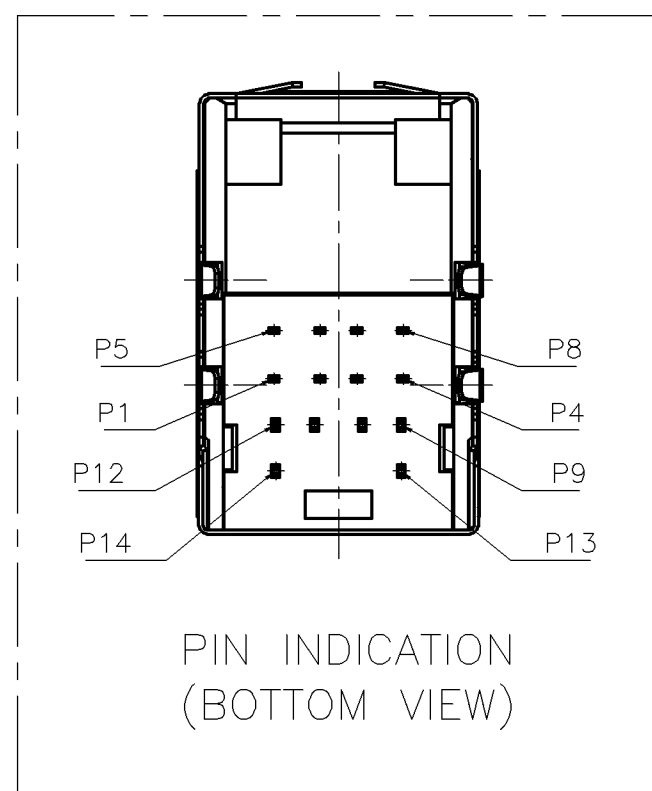
LOC DW DIST

REVISIONS

P	LTR	DESCRIPTION	DATE	DWN	APVD
A1		REVISED (ECR-09-016360)	15JUN'09	E.L.	W.K.

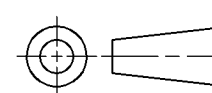


WEIGHT	REAR SHIELD	LEFT HSG COLOR	RIGHT HSG COLOR	MINIMUM GOLD PLATING	PART NUMBER
14.86g	STAINLESS STEEL	PURPLE	GREEN	0.381µm[15µ"]	1-2041038-4
		GREEN	PURPLE	GOLD FLASH	1-2041038-3
15.24g	STEEL	PURPLE	GREEN	0.381µm[15µ"]	2041038-4
		GREEN	PURPLE	GOLD FLASH	2041038-3
		GREEN	PURPLE	0.381µm[15µ"]	2041038-2
		LEFT	RIGHT	GOLD FLASH	2041038-1



THIS DRAWING IS A CONTROLLED DOCUMENT.

DIMENSIONS: MM



TOLERANCES UNLESS OTHERWISE SPECIFIED:	
0 PLC	± -
1 PLC	± 0.3
2 PLC	± 0.25
3 PLC	± -
4 PLC	± -
ANGLES	± 3°

MATERIAL SEE NOTE(SHEET 2)

FINISH SEE NOTE(SHEET 2)

DWN E. LIU 15JUN2009

CHK S. CHIEN 15JUN2009

APVD W. KODAMA 15JUN2009

PRODUCT SPEC

108-57654

QUALIFICATION TEST REPORT

501-57792

WEIGHT SEE TABLE

CUSTOMER DRAWING

15JUN2009 Tyco Electronics Corporation Taipei, Taiwan

NAME

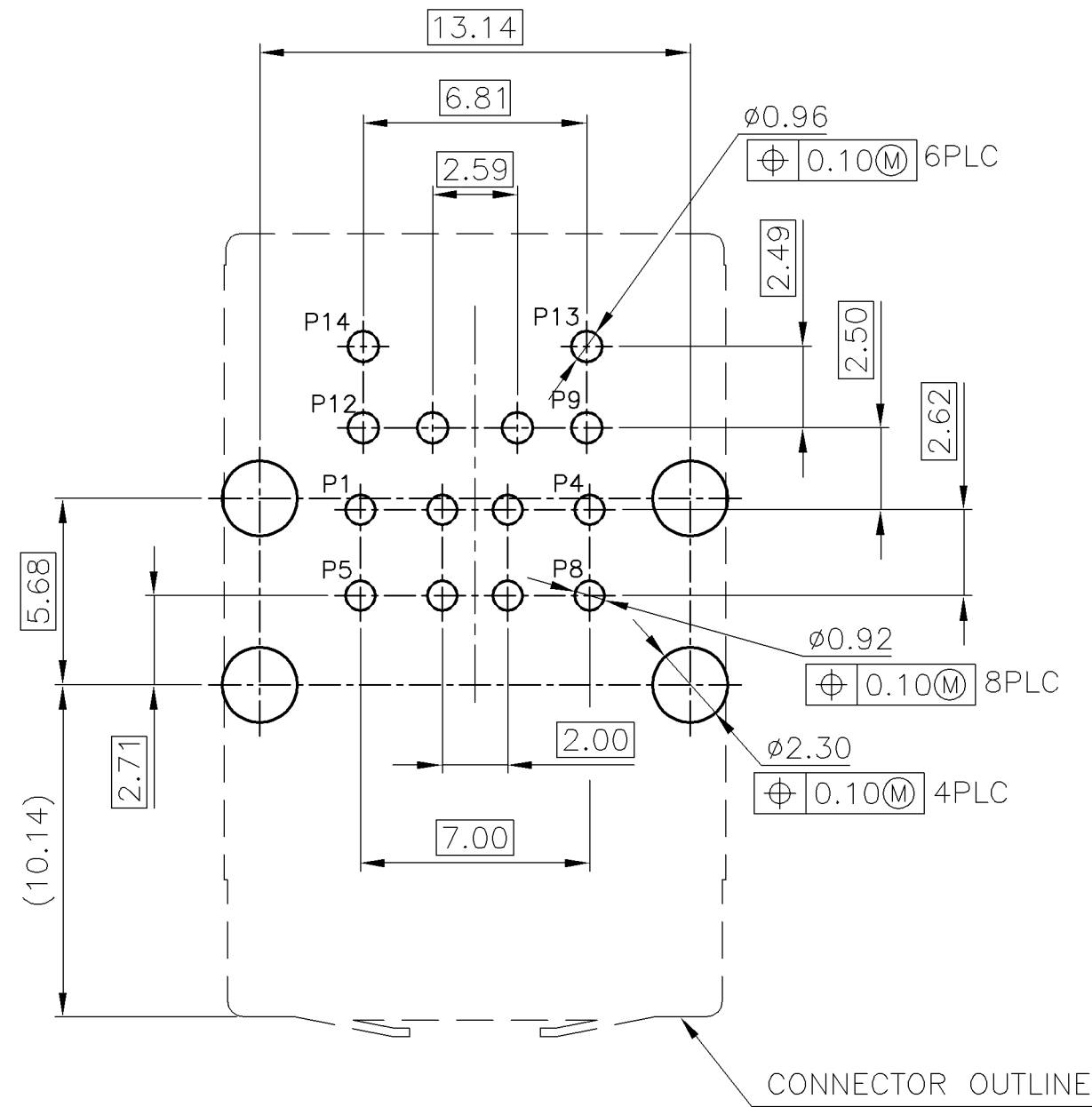
MINI DIN OVER USB 2 STACKED CONNECTOR

SIZE CAGE CODE DRAWING NO RESTRICTED TO

A3 00779 C=2041038

SCALE SHEET 1 OF 3 REV A1

LOC DW	DIST /	REVISIONS			
P	LTR	DESCRIPTION	DATE	DWN	APVD
		SEE SHEET 1			



RECOMMENDED PCB LAYOUT(TOP VIEW)
(DIMENSION TOLERANCE:±0.05) ⚠

NOTE:

- MATERIAL:
 - USB HOUSING: PA46 WITH 30% G/F, UL 94V-0, BLACK COLOR.
 - MINIDIN HOUSING: PBT WITH 30% G/F, UL 94V-0 , COLOR: SEE TABLE
 - USB CONTACTS: BRASS.
 - MNIDIN CONTACT: PHOSPHOR BRONZE.
 - FORNT SHIELD: BRASS.
 - REAR SHIELD: SEE TABLE.
- FINISH:
 - USB CONTACTS: GOLD PLATED ON CONTACT AREA(SEE TABLE), 2.54μm[100μ"]MIN. MATTE-TIN ON SOLDER TAIL, 1.27μm[50μ"]MIN. NICKEL UNDERPLATED ENTIRE.
 - MINI DIN CONTACTS: GOLD PLATED ON CONTACT AREA(SEE TABLE), 2.54μm[100μ"]MIN. MATTE-TIN ON SOLDER TAIL, 1.27μm[50μ"]MIN. NICKEL UNDERPLATED ENTIRE
 - SHIELD: 1.27μm[50μ"]MIN. NICKEL PLATED FOR STEEL ONLY.
- ⚠ RECOMMENDED PCB THICNESS: 1.60±0.05mm.
- WAVE SOLDER CAPABLE TO 265°C PER TE TEST SPEC. 109-202, CONDITION B.
- ⚠ DIFFERENT HOUSING COLOR(SEE TABLE)

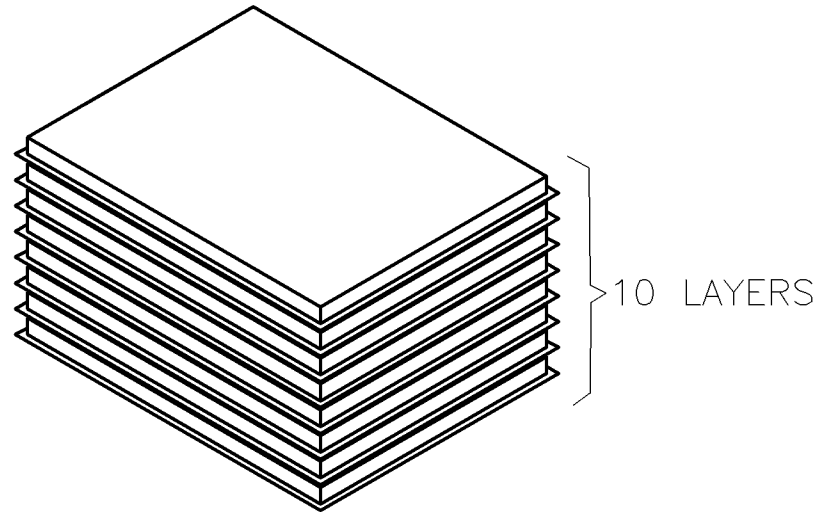
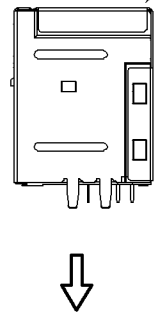
THIS DRAWING IS A CONTROLLED DOCUMENT.		DWN	Tyco Electronics Corporation		
DIMENSIONS: MM		CHK	Tyco Electronics Taipei, Taiwan		
TOLERANCES UNLESS OTHERWISE SPECIFIED:		APVD	NAME		
0 PLC ± -		PRODUCT SPEC	MINI DIN OVER USB 2 STACKED CONNECTOR		
1 PLC ± -		QUALIFICATION TEST REPORT	SIZE	CAGE CODE	DRAWING NO
2 PLC ± -		WEIGHT	A3	00779	C=2041038
3 PLC ± -		CUSTOMER DRAWING	RESTRICTED TO		
4 PLC ± -		SCALE	SHEET		REV
ANGLES ± -			2 OF 3		A1
FINISH					

THIS DRAWING IS UNPUBLISHED. RELEASED FOR PUBLICATION AUG ,2006.

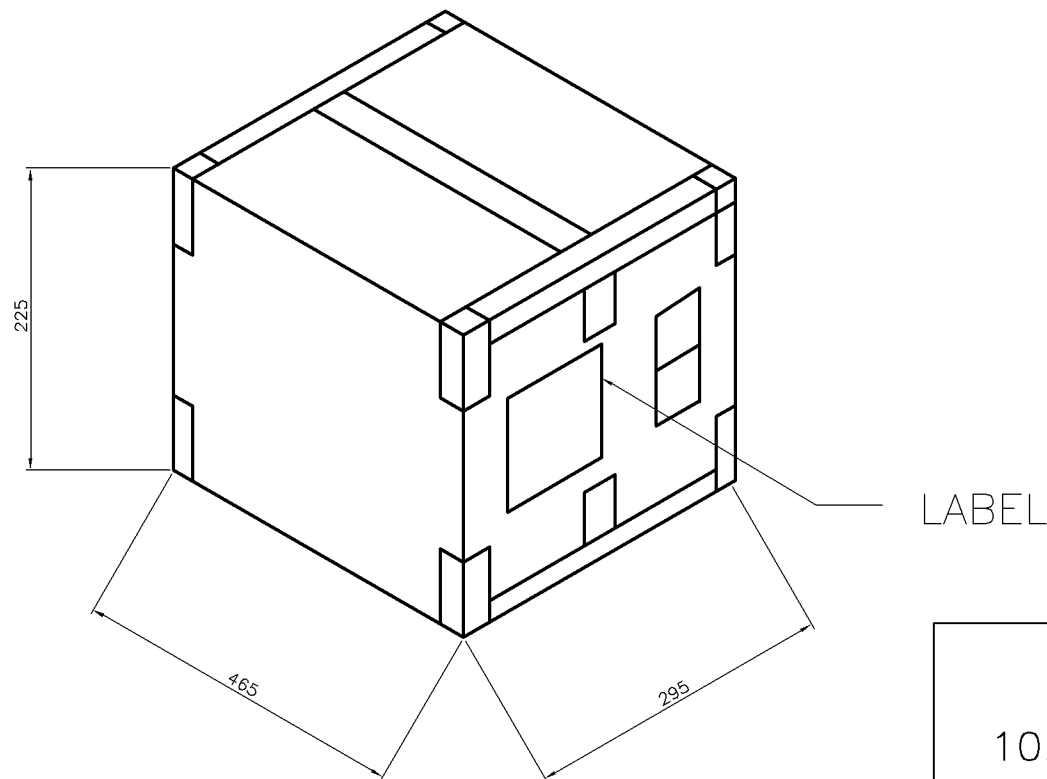
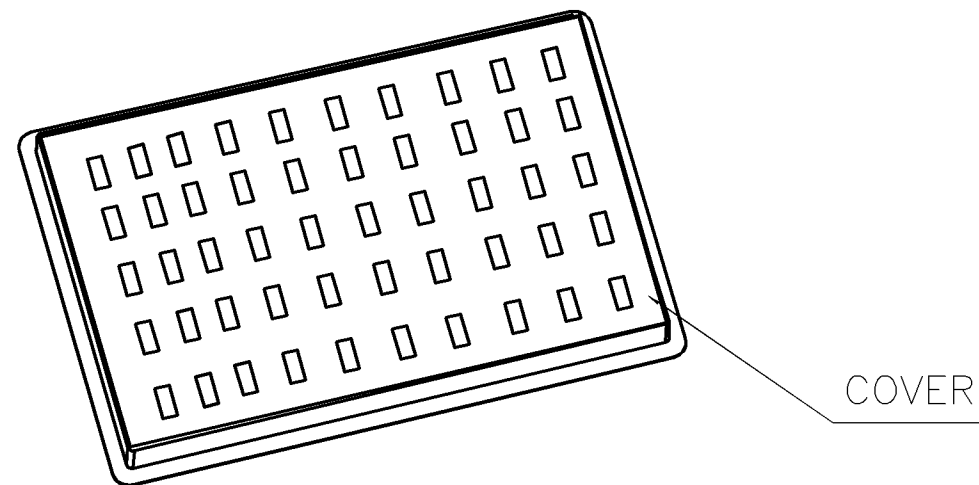
© COPYRIGHT - BY TYCO ELECTRONICS CORPORATION. ALL RIGHTS RESERVED.

LOC DW	DIST /	REVISIONS			
P	LTR	DESCRIPTION	DATE	DWN	APVD
		SEE SHEET 1			

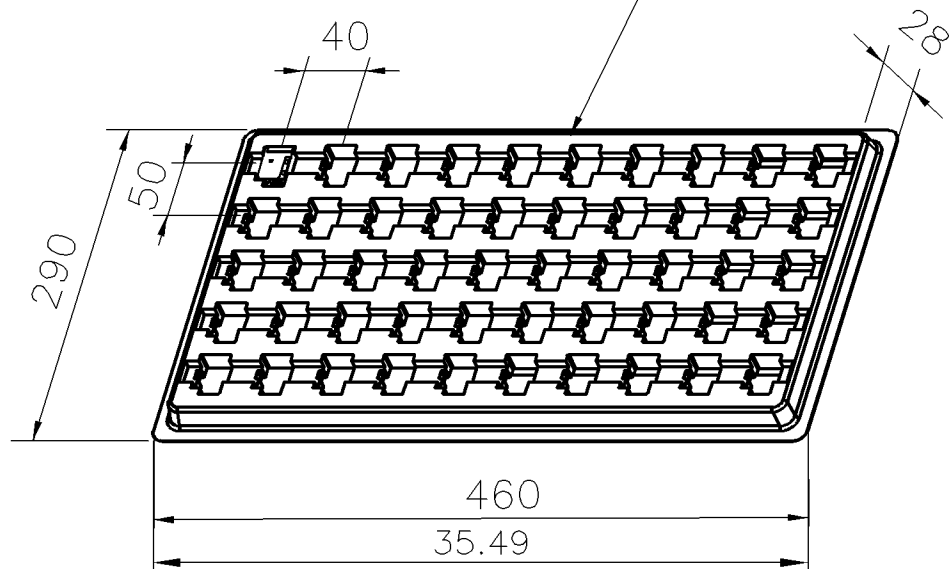
50 PCS/TRAY



NOTE :
 1. MATERIAL
 TRAY: PVC, T=0.8mm
 2. EACH BAG SHALL BE INCLUDED:
 * DESICCANT



50 PCS/TRAY



10.05	7.43	50	10	500	1-2041038-4
10.31	7.62				1-2041038-3
		1-2041038-2			
		1-2041038-1			
		2041038-4			
G.W(KG)	N.W(KG)	PCS/ TRAY	TRAY/ SHIPPING BOX	PCS/ SHIPPING BOX	2041038-3
					2041038-2
					2041038-1
					PART NUMBER

THIS DRAWING IS A CONTROLLED DOCUMENT.		DWN	Tyco Electronics Corporation Taipei, Taiwan		
DIMENSIONS: MM		CHK	NAME		
TOLERANCES UNLESS OTHERWISE SPECIFIED: 0 PLC ± - 1 PLC ± - 2 PLC ± - 3 PLC ± - 4 PLC ± - ANGLES ± - FINISH		APVD	MINI DIN OVER USB 2 STACKED CONNECTOR		
MATERIAL		PRODUCT SPEC	SIZE	CAGE CODE	DRAWING NO
		QUALIFICATION TEST REPORT	A3	00779	G=2041038
		WEIGHT	RESTRICTED TO		
		CUSTOMER DRAWING	SCALE	SHEET	REV
			-	3 OF 3	A1