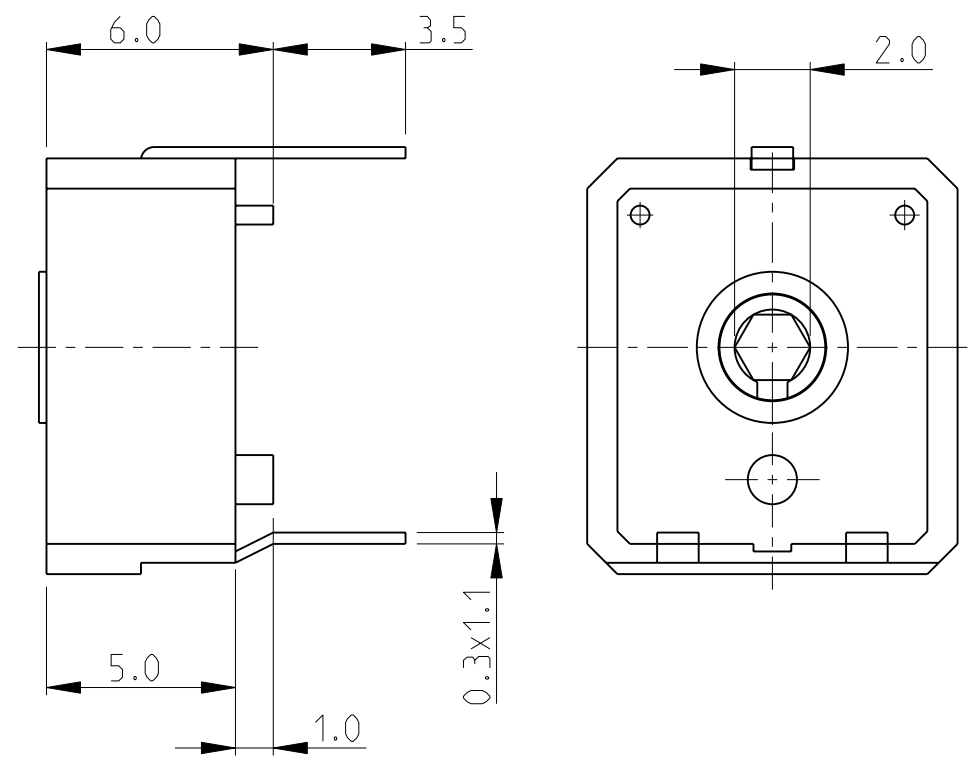
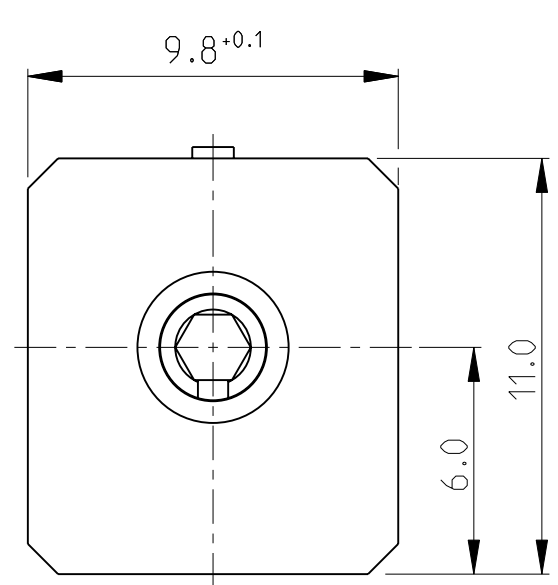


THIS DRAWING IS UNPUBLISHED. RELEASED FOR PUBLICATION 2008  
 © COPYRIGHT 2008 BY TYCO ELECTRONICS CORPORATION. ALL RIGHTS RESERVED.

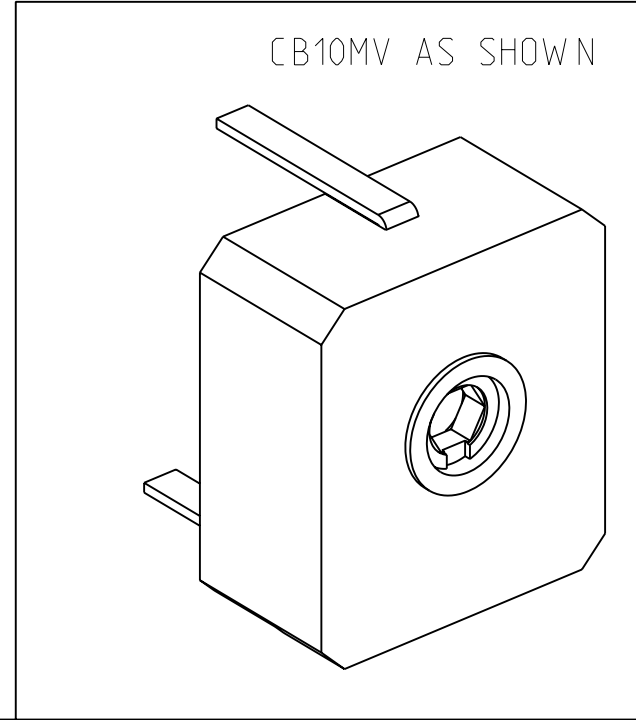
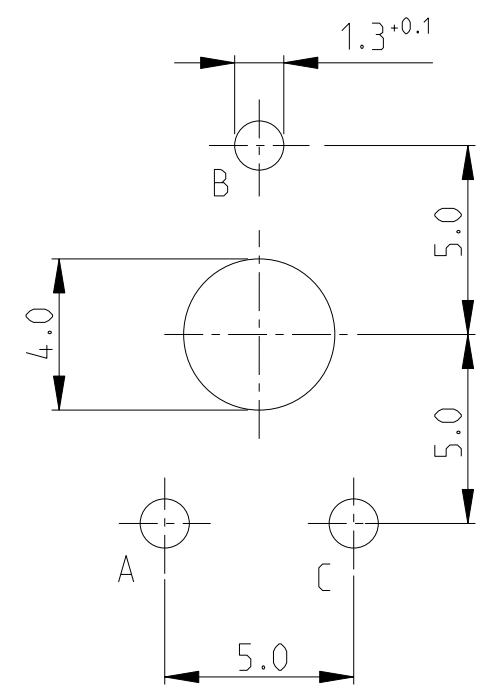
LOC	DIST	REVISIONS				
P	LTR	DESCRIPTION	DATE	DWN	APVD	
E	B	BA	NEW RELEASE	17-SEP-08	SM St.P	

CB10MV AS SHOWN



FOR FURTHER INFORMATION SEE DATA SHEET FOR  
 CB10 SERIES-CARBON ECONOMY TRIMMERS

RECOMMENDED PCB PATTERN



RoHS Compliant

<small>THIS DRAWING IS A CONTROLLED DOCUMENT FOR TYCO ELECTRONICS CORPORATION          IT IS SUBJECT TO CHANGE AND THE CONTROLLING ENGINEERING ORGANIZATION          SHOULD BE CONTACTED FOR THE LATEST REVISION.</small>		DWN	SUBHASH.M	17-SEP-08	Tyco Electronics Corporation Dorcan, Swindon, SN3 5HH					
DIMENSIONS: mm		CHK	PRAKASH.S	17-SEP-08						
		APVD	STEPHEN.P	17-SEP-08						
TOLERANCES UNLESS OTHERWISE SPECIFIED: 0 PLC ±0.5 1 PLC ±0.2 2 PLC ±0.1 3 PLC ± 4 PLC ± ANGLES ±5°		PRODUCT SPEC	NAME							
MATERIAL -		APPLICATION SPEC	CARBON ECONOMY TRIMMERS SERIES CB10 MV							
FINISH -		WEIGHT -	SIZE	A3	CAGE CODE	00779	DRAWING NO	C=1630481	RESTRICTED TO	-
CUSTOMER DRAWING			SCALE	5:1	SHEET	1	OF	1	REV	BA