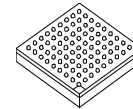




# IMX51



## Package Information

Plastic Package  
Case 2058 13 x 13 mm, 0.5 mm pitch  
Case 2017 19 x 19 mm, 0.8 mm pitch

## Ordering Information

See [Table 1](#) on page 3 for ordering information.

# i.MX51 Applications Processors for Consumer and Industrial Products

## 1 Introduction

The i.MX51 multimedia applications processors represent Freescale Semiconductor's latest addition to a growing family of multimedia-focused products offering high performance processing optimized for lowest power consumption.

The i.MX51 processors feature Freescale's advanced and power-efficient implementation of the ARM Cortex A8™ core, which operates at speeds as high as 800 MHz. Up to 200 MHz DDR2 and mobile DDR DRAM clock rates are supported. These devices are suitable for applications such as the following:

- Netbooks (web tablets)
- Nettops (internet desktop devices)
- Mobile internet devices (MID)
- Portable media players (PMP)
- Portable navigation devices (PND)
- High-end PDAs
- Gaming consoles
- Automotive navigation and entertainment (see automotive data sheet, IMX51AEC)

1	Introduction	1
1.1	Ordering Information	3
1.2	Block Diagram	4
2	Features	5
2.1	Special Signal Considerations	12
3	Electrical Characteristics	14
3.1	Chip-Level Conditions	14
3.2	Supply Power-Up/Power-Down Requirements and Restrictions	20
3.3	I/O DC Parameters	21
3.4	Output Buffer Impedance Characteristics	28
3.5	I/O AC Parameters	31
3.6	Module Timing	36
3.7	External Peripheral Interfaces	60
4	Package Information and Contact Assignments	137
4.1	13 x 13 mm Package Information	137
4.2	19 x 19 mm Package Information	156
4.3	13 x 13 mm, 0.5 Pitch Ball Map	174
4.4	19 x 19 mm, 0.8 Pitch Ball Map	179
5	Revision History	183

This document contains information on a new product. Specifications and information herein are subject to change without notice.

© Freescale Semiconductor, Inc., 2009. All rights reserved.



Features include the following:

- **Smart Speed Technology**—The heart of the i.MX51 processors is a level of power management throughout the device that enables the rich suite of multimedia features and peripherals to achieve minimum system power consumption in both active and various low-power modes. Smart Speed Technology enables the designer to deliver a feature-rich product that requires levels of power that are far less than typical industry expectations.
- **Applications Processor**—i.MX51 processors boost the capabilities of high-tier portable applications by providing for the ever-increasing MIPS needs of operating systems and games. Freescale's Dynamic Voltage and Frequency Scaling (DVFS) allows the device run at much lower voltage and frequency with sufficient MIPS for tasks such as audio decode resulting in significant power reduction.
- **Multimedia Powerhouse**—The multimedia performance of the i.MX51 processors is boosted by a multi-level cache system and further enhanced by a Multi-Standard Hardware Video Codec, autonomous Image Processing Unit, SD and HD720p Triple Video (TV) Encoder with triple video DAC, Neon (including Advanced SIMD, 32-bit Single-Precision floating point support and Vector Floating Point co-processor), and a programmable smart DMA (SDMA) controller.
- **Powerful Graphics Acceleration**—Graphics is the key to mobile game navigation, web browsing, and other applications. The i.MX51 processors provide two independent, integrated Graphics Processing Units: OpenGL ES 2.0 3D graphics accelerator (27 Mtri/s, 166 Mpix/s) and OpenVG 1.1 2D graphics accelerator (166 Mpix/s).
- **Interface Flexibility**—The i.MX51 processor interface supports connection to all popular types of external memories: DDR2, Mobile DDR, NOR Flash, PSRAM, Cellular RAM, NAND Flash (MLC and SLC) and OneNAND. Designers seeking to provide products that deliver a rich multimedia experience find a full suite of on-chip peripherals: LCD controller and CMOS sensor interface, High-Speed USB On-The-Go with PHY, and three High-Speed USB hosts, multiple expansion card ports (High-Speed MMC/SDIO Host and others), 10/100 Ethernet controller, and a variety of other popular interfaces (PATA, UART, I<sup>2</sup>C, I<sup>2</sup>S serial audio, and SIM card, among others).
- **Increased Security**—Because the need for advanced security for mobile devices continues to increase, the i.MX51 processors deliver hardware-enabled security features that enable secure e-commerce, digital rights management (DRM), information encryption, secure boot, and secure software downloads. For detailed information about the MX51 security features contact your Freescale representative.

## 1.1 Ordering Information

Table 1 provides the ordering information.

Table 1. Ordering Information

Part Number <sup>1, 2</sup>	Mask Set	Features	Case Temperature Range (°C)	Package <sup>3</sup>
PCIMX512CJM6C	M77X	No hardware video codecs No hardware graphics accelerators	–40 to 105	19 x 19 mm, 0.8 mm pitch BGA Case 2017
MCIMX512DJM8C	M77X	No hardware video codecs No hardware graphics accelerators	–20 to 85	19 x 19 mm, 0.8 mm pitch BGA Case 2017
PCIMX513CJM6C	M77X	No hardware graphics accelerators	–40 to 105	19 x 19 mm, 0.8 mm pitch BGA Case 2017
MCIMX513DJM8C	M77X	No hardware graphics accelerators	–20 to 85	19 x 19 mm, 0.8 mm pitch BGA Case 2017
PCIMX515CJM6C	M77X	Full specification	–40 to 105	19 x 19 mm, 0.8 mm pitch BGA Case 2017
MCIMX515DJM8C	M77X	Full specification	–20 to 85	19 x 19 mm, 0.8 mm pitch BGA Case 2017
MCIMX512DVK8C!	M77X	No hardware video codecs No hardware graphics accelerators	–20 to 85	13 x 13 mm, 0.5 mm pitch BGA Case 2058
MCIMX513DVK8C!	M77X	No hardware graphics accelerators	–20 to 85	13 x 13 mm, 0.5 mm pitch BGA Case 2058
MCIMX515DVK8C!	M77X	Full specification	–20 to 85	13 x 13 mm, 0.5 mm pitch BGA Case 2058
MCIMX511DVK8C!	M77X	Full specification plus Macrovision copy protection	–20 to 85	13 x 13 mm, 0.5 mm pitch BGA Case 2058

<sup>1</sup> Because of an order from the United States International Trade Commission, BGA-packaged product lines and part numbers indicated here currently are not available from Freescale for import or sale in the United States prior to September 2010: Indicated by the icon (!)

<sup>2</sup> Part numbers with a PC prefix indicate non-production engineering parts.

<sup>3</sup> Case 2017 and Case 2058 are RoHS compliant, lead-free, MSL = 3.

## 1.2 Block Diagram

Figure 1 shows the functional modules of the processor.

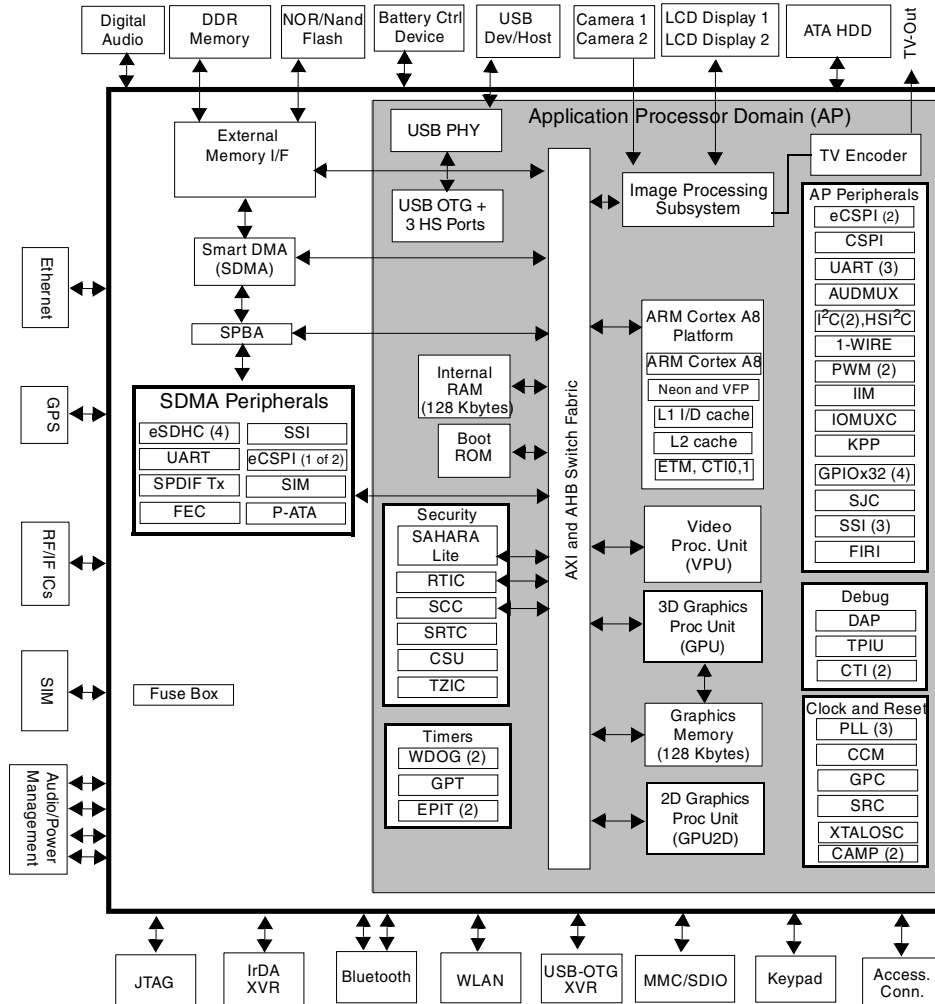


Figure 1. Functional Block Diagram

## 2 Features

The i.MX51 processor contains a large number of digital and analog modules that are described in [Table 2](#).

**Table 2. i.MX51 Digital and Analog Modules**

Block Mnemonic	Block Name	Subsystem	Brief Description
1-WIRE	1-Wire Interface	Connectivity Peripherals	1-Wire support provided for interfacing with an on-board EEPROM, and smart battery interfaces, for example: Dallas DS2502.
ARM Cortex A8™	ARM Cortex A8™ Platform	ARM	The ARM Cortex A8™ Core Platform consists of the ARM Cortex A8™ processor version r2p5 (with TrustZone) and its essential sub-blocks. It contains the Level 2 Cache Controller, 32-Kbyte L1 instruction cache, 32-Kbyte L1 data cache, and a 256-Kbyte L2 cache. The platform also contains an Event Monitor and Debug modules. It also has a NEON co-processor with SIMD media processing architecture, register file with 32 × 64-bit general-purpose registers, an Integer execute pipeline (ALU, Shift, MAC), dual, single-precision floating point execute pipeline (FADD, FMUL), load/store and permute pipeline and a Non-Pipelined Vector Floating Point (VFP) co-processor (VFPv3).
Audio Subsystem	Audio Subsystem	Multimedia Peripherals	The elements of the audio subsystem are three Synchronous Serial Interfaces (SSI1-3), a Digital Audio Mux (AUDMUX), and Digital Audio Out (SPDIF TX). See the specific interface listings in this table.
AUDMUX	Digital Audio Mux	Multimedia Peripherals	The AUDMUX is a programmable interconnect for voice, audio, and synchronous data routing between host serial interfaces (for example, SSI1, SSI2, and SSI3) and peripheral serial interfaces (audio and voice codecs). The AUDMUX has seven ports (three internal and four external) with identical functionality and programming models. A desired connectivity is achieved by configuring two or more AUDMUX ports.
CCM GPC SRC	Clock Control Module Global Power Controller System Reset Controller	Clocks, Resets, and Power Control	These modules are responsible for clock and reset distribution in the system, and also for system power management. The modules include three PLLs and a Frequency Pre-Multiplier (FPM).
CSPI-1, eCSPI-2 eCSPI-3	Configurable SPI, Enhanced CSPI	Connectivity Peripherals	Full-duplex enhanced Synchronous Serial Interface, with data rate up to 66.5Mbit/s (for eCSPI, master mode). It is configurable to support Master/Slave modes, four chip selects to support multiple peripherals.
CSU	Central Security Unit	Security	The Central Security Unit (CSU) is responsible for setting comprehensive security policy within the i.MX51A platform, and for sharing security information between the various security modules. The Security Control Registers (SCR) of the CSU are set during boot time by the High Assurance Boot (HAB) code and are locked to prevent further writing.
Debug System	Debug System	System Control	The Debug System provides real-time trace debug capability of both instructions and data. It supports a trace protocol that is an integral part of the ARM Real Time Debug solution (RealView). Real-time tracing is controlled by specifying a set of triggering and filtering resources, which include address and data comparators, cross-system triggers, counters, and sequencers.

**Table 2. i.MX51 Digital and Analog Modules (continued)**

Block Mnemonic	Block Name	Subsystem	Brief Description
EMI	External Memory Interface	Connectivity Peripherals	<p>The EMI is an external and internal memory interface. It performs arbitration between multi-AXI masters to multi-memory controllers, divided into four major channels: fast memories (Mobile DDR, DDR2) channel, slow memories (NOR-FLASH/PSRAM/NAND-FLASH etc.) channel, internal memory (RAM, ROM) channel and graphical memory (GMEM) Channel.</p> <p>In order to increase the bandwidth performance, the EMI separates the buffering and the arbitration between different channels so parallel accesses can occur. By separating the channels, slow accesses do not interfere with fast accesses. EMI features:</p> <ul style="list-style-type: none"> <li>• 64-bit and 32-bit AXI ports</li> <li>• Enhanced arbitration scheme for fast channel, including dynamic master priority, and taking into account which pages are open or closed and what type (Read or Write) was the last access</li> <li>• Flexible bank interleaving</li> <li>• Supports 16/32-bit Mobile DDR up to 200 MHz SDCLK (mDDR400)</li> <li>• Supports 16/32-bit (Non-Mobile) DDR2 up to 200 MHz SDCLK (DDR2-400)</li> <li>• Supports up to 2 Gbit Mobile DDR memories</li> <li>• Supports 16-bit (in muxed mode only) PSRAM memories (sync and async operating modes), at slow frequency, for debugging purposes</li> <li>• Supports 32-bit NOR-Flash memories (only in muxed mode), at slow frequencies for debugging purposes</li> <li>• Supports 4/8-ECC, page sizes of 512 Bytes, 2 KBytes and 4 KBytes</li> <li>• NAND-Flash (including MLC)</li> <li>• Multiple chip selects</li> <li>• Enhanced Mobile DDR memory controller, supporting access latency hiding</li> <li>• Supports watermarking for security (Internal and external memories)</li> <li>• Supports Samsung OneNAND™ (only in muxed I/O mode)</li> </ul>
EPIT-1 EPIT-2	Enhanced Periodic Interrupt Timer	Timer Peripherals	<p>Each EPIT is a 32-bit “set and forget” timer that starts counting after the EPIT is enabled by software. It is capable of providing precise interrupts at regular intervals with minimal processor intervention. It has a 12-bit prescaler for division of input clock frequency to get the required time setting for the interrupts to occur, and counter values can be programmed on the fly.</p>
eSDHC-1 eSDHC-2 eSDHC-3	Enhanced Multi-Media Card/ Secure Digital Host Controller	Connectivity Peripherals	<p>The features of the eSDHC module, when serving as host, include the following:</p> <ul style="list-style-type: none"> <li>• Conforms to SD Host Controller Standard Specification version 2.0</li> <li>• Compatible with the MMC System Specification version 4.2</li> <li>• Compatible with the SD Memory Card Specification version 2.0</li> <li>• Compatible with the SDIO Card Specification version 1.2</li> <li>• Designed to work with SD Memory, miniSD Memory, SDIO, miniSDIO, SD Combo, MMC and MMC RS cards</li> <li>• Configurable to work in one of the following modes: <ul style="list-style-type: none"> <li>—SD/SDIO 1-bit, 4-bit</li> <li>—MMC 1-bit, 4-bit, 8-bit</li> </ul> </li> <li>• Full-/high-speed mode</li> <li>• Host clock frequency variable between 32 kHz to 52 MHz</li> <li>• Up to 200 Mbps data transfer for SD/SDIO cards using four parallel data lines</li> <li>• Up to 416 Mbps data transfer for MMC cards using eight parallel data lines</li> </ul>

Because of an order from the United States International Trade Commission, BGA-packaged product lines and part numbers indicated here currently are not available from Freescale for import or sale in the United States prior to September 2010: MCIMX512DVK8C, MCIMX513DVK8C, MCIMX515DVK8C, and MCIMX511DVK8C.



Table 2. i.MX51 Digital and Analog Modules (continued)

Block Mnemonic	Block Name	Subsystem	Brief Description
eSDHC-4 (muxed with P-ATA)	Enhanced Multi-Media Card/ Secure Digital Host Controller	Connectivity Peripherals	Can be configured as eSDHC (see above) and is muxed with the P-ATA interface.
FEC	Fast Ethernet Controller	Connectivity Peripherals	The Ethernet Media Access Controller (MAC) is designed to support both 10 Mbps and 100 Mbps ethernet/IEEE Std 802.3™ networks. An external transceiver interface and transceiver function are required to complete the interface to the media.
FIRI	Fast Infra-Red Interface	Connectivity Peripherals	Fast Infra-Red Interface
GPIO-1 GPIO-2 GPIO-3 GPIO-4	General Purpose I/O Modules	System Control Peripherals	These modules are used for general purpose input/output to external ICs. Each GPIO module supports up to 32 bits of I/O.
GPT	General Purpose Timer	Timer Peripherals	Each GPT is a 32-bit “free-running” or “set and forget” mode timer with a programmable prescaler and compare and capture register. A timer counter value can be captured using an external event, and can be configured to trigger a capture event on either the leading or trailing edges of an input pulse. When the timer is configured to operate in “set and forget” mode, it is capable of providing precise interrupts at regular intervals with minimal processor intervention. The counter has output compare logic to provide the status and interrupt at comparison. This timer can be configured to run either on an external clock or on an internal clock.
GPU	Graphics Processing Unit	Multimedia Peripherals	The GPU provides hardware acceleration for 2D and 3D graphics algorithms with sufficient processor power to run desk-top quality interactive graphics applications on displays up to HD720 resolution. It supports color representation up to 32 bits per pixel. The GPU with its 128 KByte memory enables high performance mobile 3D and 2D vector graphics at rates up to 27 Mtriangles/sec, 166 M pixels/sec, 664 Mpixels/sec (Z).
GPU2D	Graphics Processing Unit-2D Ver. 1	Multimedia Peripherals	The GPU2D provides hardware acceleration for 2D graphic algorithms with sufficient processor power to run desk-top quality interactive graphics applications on displays up to HD720 resolution.
I <sup>2</sup> C-1 I <sup>2</sup> C-2 HS-I <sup>2</sup> C	I <sup>2</sup> C Interface	Connectivity Peripherals	I <sup>2</sup> C provides serial interface for controlling peripheral devices. Data rates of up to 400 Kbps are supported by two of the I <sup>2</sup> C ports. Data rates of up to 3.4 Mbps (I <sup>2</sup> C Specification v2.1) are supported by the HS-I <sup>2</sup> C. <b>Note:</b> See the errata for the HS-I <sup>2</sup> C in the i.MX51 Chip Errata. The two standard I <sup>2</sup> C modules have no errata.

Table 2. i.MX51 Digital and Analog Modules (continued)

Block Mnemonic	Block Name	Subsystem	Brief Description
IIM	IC Identification Module	Security	The IC Identification Module (IIM) provides an interface for reading, programming, and/or overriding identification and control information stored in on-chip fuse elements. The module supports electrically programmable poly fuses (e-Fuses). The IIM also provides a set of volatile software-accessible signals that can be used for software control of hardware elements not requiring non-volatility. The IIM provides the primary user-visible mechanism for interfacing with on-chip fuse elements. Among the uses for the fuses are unique chip identifiers, mask revision numbers, cryptographic keys, JTAG secure mode, boot characteristics, and various control signals requiring permanent non-volatility. The IIM also provides up to 28 volatile control signals. The IIM consists of a master controller, a software fuse value shadow cache, and a set of registers to hold the values of signals visible outside the module.
IOMUXC	IOMUX Control	System Control Peripherals	This module enables flexible I/O multiplexing. Each I/O pad has default as well as several alternate functions. The alternate functions are software configurable.
IPU	Image Processing Unit	Multimedia Peripherals	IPU enables connectivity to displays and image sensors, relevant processing and synchronization. It supports two display ports and two camera ports, through the following interfaces. <ul style="list-style-type: none"> <li>• Legacy Interfaces</li> <li>• Analog TV interfaces (through a TV encoder bridge)</li> </ul> <p>The processing includes:</p> <ul style="list-style-type: none"> <li>• Support for camera control</li> <li>• Image enhancement: color adjustment and gamut mapping, gamma correction and contrast enhancement, sharpening and noise reduction</li> <li>• Video/graphics combining</li> <li>• Support for display backlight reduction</li> <li>• Image conversion—resizing, rotation, inversion and color space conversion</li> <li>• Synchronization and control capabilities, allowing autonomous operation.</li> <li>• Hardware de-interlacing support</li> </ul>
KPP	Keypad Port	Connectivity Peripherals	The KPP supports an 8 × 8 external keypad matrix. The KPP features are as follows: <ul style="list-style-type: none"> <li>• Open drain design</li> <li>• Glitch suppression circuit design</li> <li>• Multiple keys detection</li> <li>• Standby key press detection</li> </ul>
P-ATA (Muxed with eSDHC-4)	Parallel ATA	Connectivity Peripherals	The P-ATA block is an AT attachment host interface. Its main use is to interface with hard disc drives and optical disc drives. It interfaces with the ATA-5 (UDMA-4) compliant device over a number of ATA signals. It is possible to connect a bus buffer between the host side and the device side. This is muxed with eSDHC-4 interfaces.
PWM-1 PWM-2	Pulse Width Modulation	Connectivity Peripherals	The pulse-width modulator (PWM) has a 16-bit counter and is optimized to generate sound from stored sample audio images. It can also generate tones. The PWM uses 16-bit resolution and a 4x16 data FIFO to generate sound.
RAM 128 Kbytes	Internal RAM	Internal Memory	Unified RAM, can be split between Secure RAM and Non-Secure RAM
ROM 36 Kbytes	Boot ROM	Internal Memory	Supports secure and regular Boot Modes



Table 2. i.MX51 Digital and Analog Modules (continued)

Block Mnemonic	Block Name	Subsystem	Brief Description
RTIC	Real Time Integrity Checker	Security	Protecting read-only data from modification is one of the basic elements in trusted platforms. The Run-Time Integrity Checker v3 (RTICv3) module, is a data monitoring device responsible for ensuring that memory content is not corrupted during program execution. The RTICv3 mechanism periodically checks the integrity of code or data sections during normal OS run-time execution without interfering with normal operation. The RTICv3's purpose is to ensure the integrity of the peripheral memory contents, protect against unauthorized external memory elements replacement, and assist with boot authentication.
SAHARA Lite	SAHARA security accelerator Lite	Security	SAHARA (Symmetric/Asymmetric Hashing and Random Accelerator) is a security co-processor. It implements symmetric encryption algorithms, (AES, DES, 3DES, and RC4), public key algorithms, hashing algorithms (MD5, SHA-1, SHA-224, and SHA-256), and a hardware random number generator. It has a slave IP bus interface for the host to write configuration and command information, and to read status information. It also has a DMA controller, with an AHB bus interface, to reduce the burden on the host to move the required data to and from memory.
SCC	Security Controller	Security	The Security Controller is a security assurance hardware module designed to safely hold sensitive data such as encryption keys, digital right management (DRM) keys, passwords, and biometrics reference data. The SCC monitors the system's alert signal to determine if the data paths to and from it are secure—that is, cannot be accessed from outside of the defined security perimeter. If not, it erases all sensitive data on its internal RAM. The SCC also features a Key Encryption Module (KEM) that allows non-volatile (external memory) storage of any sensitive data that is temporarily not in use. The KEM utilizes a device-specific hidden secret key and a symmetric cryptographic algorithm to transform the sensitive data into encrypted data.
SDMA	Smart Direct Memory Access	System Control Peripherals	The SDMA is multi-channel flexible DMA engine. It helps in maximizing system performance by off loading various cores in dynamic data routing. The SDMA features list is as follows: <ul style="list-style-type: none"> <li>• Powered by a 16-bit instruction-set micro-RISC engine</li> <li>• Multi-channel DMA supports up to 32 time-division multiplexed DMA channels</li> <li>• 48 events with total flexibility to trigger any combination of channels</li> <li>• Memory accesses including linear, FIFO, and 2D addressing</li> <li>• Shared peripherals between ARM Cortex A8™ and SDMA</li> <li>• Very fast context-switching with two-level priority-based preemptive multi-tasking</li> <li>• DMA units with auto-flush and prefetch capability</li> <li>• Flexible address management for DMA transfers (increment, decrement, and no address changes on source and destination address)</li> <li>• DMA ports can handle unit-directional and bi-directional flows (copy mode)</li> <li>• Up to 8-word buffer for configurable burst transfers for EMI</li> <li>• Support of byte-swapping and CRC calculations</li> <li>• A library of scripts and API are available</li> </ul>
SIM	Subscriber Identity Module Interface	Connectivity Peripherals	The SIM is an asynchronous interface with additional features for allowing communication with Smart Cards conforming to the ISO 7816 specification. The SIM is designed to facilitate communication to SIM cards or pre-paid phone cards.

Table 2. i.MX51 Digital and Analog Modules (continued)

Block Mnemonic	Block Name	Subsystem	Brief Description
SJC	Secure JTAG Interface	System Control Peripherals	<p>JTAG manipulation is a known hacker's method of executing unauthorized program code, getting control over secure applications, and running code in privileged modes. The JTAG port provides a debug access to several hardware blocks including the ARM processor and the system bus.</p> <p>The JTAG port must be accessible during platform initial laboratory bring-up, manufacturing tests and troubleshooting, as well as for software debugging by authorized entities. However, in order to properly secure the system, unauthorized JTAG usage should be strictly forbidden.</p> <p>In order to prevent JTAG manipulation while allowing access for manufacturing tests and software debugging, the i.MX51 processor incorporates a mechanism for regulating JTAG access. The i.MX51Secure JTAG Controller provides four different JTAG security modes that can be selected via e-fuse configuration.</p>
SPBA	Shared Peripheral Bus Arbiter	System Control Peripherals	SPBA (Shared Peripheral Bus Arbiter) is a two-to-one IP bus interface (IP bus) arbiter.
SPDIF	Sony Philips Digital Interface	Multimedia Peripherals	A standard digital audio transmission protocol developed jointly by the Sony and Philips corporations. Only the transmitter functionality is supported.
SRTC	Secure Real Time Clock	Security	The SRTC incorporates a special System State Retention Register (SSRR) that stores system parameters during system shutdown modes. This register and all SRTC counters are powered by dedicated supply rail NVCC_SRTC_POW. The NVCC_SRTC_POW can be energized even if all other supply rails are shut down. This register is helpful for storing warm boot parameters. The SSRR also stores the system security state. In case of a security violation, the SSRR mark the event (security violation indication).
SSI-1 SSI-2 SSI-3	I2S/SSI/AC97 Interface	Connectivity Peripherals	<p>The SSI is a full-duplex synchronous interface used on the i.MX51 processor to provide connectivity with off-chip audio peripherals. The SSI supports a wide variety of protocols (SSI normal, SSI network, I2S, and AC-97), bit depths (up to 24 bits per word), and clock/frame sync options.</p> <p>Each SSI has two pairs of 8x24 FIFOs and hardware support for an external DMA controller in order to minimize its impact on system performance. The second pair of FIFOs provides hardware interleaving of a second audio stream, which reduces CPU overhead in use cases where two timeslots are being used simultaneously.</p>
TVE	TV Encoder	Multimedia	The TVE is implemented in conjunction with the Image Processing Unit (IPU) allowing handheld devices to display captured still images and video directly on a TV or LCD projector. It supports the following analog video outputs: composite, S-video, and component video up to HD720p/1080i.
TZIC	TrustZone Aware Interrupt Controller	ARM/Control	The TrustZone Interrupt Controller (TZIC) collects interrupt requests from all i.MX51A sources and routes them to the ARM core. Each interrupt can be configured as a normal or a secure interrupt. Software Force Registers and software Priority Masking are also supported.

Table 2. i.MX51 Digital and Analog Modules (continued)

Block Mnemonic	Block Name	Subsystem	Brief Description
UART-1 UART-2 UART-3	UART Interface	Connectivity Peripherals	Each of the UART modules supports the following serial data transmit/receive protocols and configurations: <ul style="list-style-type: none"> <li>• 7 or 8 bit data words, 1 or 2 stop bits, programmable parity (even, odd, or none)</li> <li>• Programmable baud rates up to 4 MHz. This is a higher max baud rate relative to the 1.875 MHz, which is stated by the TIA/EIA-232-F standard and previous Freescale UART modules.</li> <li>• 32-byte FIFO on Tx and 32 half-word FIFO on Rx supporting auto-baud</li> <li>• IrDA 1.0 support (up to SIR speed of 115200 bps)</li> <li>• Option to operate as 8-pins full UART, DCE, or DTE</li> </ul>
USB	USB 2.0 High-Speed OTG and 3x Hosts	Connectivity Peripherals	USB-OTG contains one high-speed OTG module, which is internally connected to the on-chip HS USB PHY. There are an additional three high-speed host modules that require external USB PHYs.
VPU	Video Processing Unit	Multimedia Peripherals	A high-performing video processing unit (VPU), which covers many SD-level video decoders and SD-level encoders as a multi-standard video codec engine as well as several important video processing such as rotation and mirroring. VPU Features: <ul style="list-style-type: none"> <li>• MPEG-4 decode: 720p, 30 fps, simple profile and advanced simple profile</li> <li>• MPEG-4 encode: D1, 25/30 fps, simple profile</li> <li>• H.263 decode: 720p, 30 fps, profile 3</li> <li>• H.263 encode: D1, 25/30 fps, profile 3</li> <li>• H.264 decode: 720p, 30 fps, baseline, main, and high profile</li> <li>• H.264 encode: D1, 25/30 fps, baseline profile</li> <li>• MPEG-2 decode: 720p, 30 fps, MP-ML</li> <li>• MPEG-2 encode: D1, 25/30 fps, MP-ML (in software with partial acceleration in hardware)</li> <li>• VC-1 decode: 720p, 30 fps, simple, main, and advanced profile</li> <li>• DivX decode: 720p, 30 fps versions 3, 4, and 5</li> <li>• RV10 decode: 720p, 30 fps</li> <li>• MJPEG decode: 32 Mpix/s</li> <li>• MJPEG encode: 64 Mpix/s</li> </ul>
WDOG-1	Watch Dog	Timer Peripherals	The Watch Dog Timer supports two comparison points during each counting period. Each of the comparison points is configurable to evoke an interrupt to the ARM core, and a second point evokes an external event on the WDOG line.
WDOG-2 (TZ)	Watch Dog (TrustZone)	Timer Peripherals	The TrustZone Watchdog (TZ WDOG) timer module protects against TrustZone starvation by providing a method of escaping normal mode and forcing a switch to the TZ mode. TZ starvation is a situation where the normal OS prevents switching to the TZ mode. This situation should be avoided, as it can compromise the system's security. Once the TZ WDOG module is activated, it must be serviced by TZ software on a periodic basis. If servicing does not take place, the timer times out. Upon a time-out, the TZ WDOG asserts a TZ mapped interrupt that forces switching to the TZ mode. If it is still not served, the TZ WDOG asserts a security violation signal to the CSU. The TZ WDOG module cannot be programmed or deactivated by a normal mode SW.
XTALOSC	Crystal Oscillator I/F	Clocking	The XTALOSC module allows connectivity to an external crystal.

## 2.1 Special Signal Considerations

Table 3 lists special signal considerations for the i.MX51. The signal names are listed in alphabetical order. The package contact assignments are found in Section 4, “Package Information and Contact Assignments.” Signal descriptions are defined in the i.MX51 reference manual.

**Table 3. Special Signal Considerations**

Signal Name	Remarks
CKIH1, CKIH2	Inputs feeding CAMPs (Clock Amplifiers) that have on-chip ac coupling precluding the need for external coupling capacitors. The CAMPs are enabled by default, but the main clocks feeding the on-chip clock tree are sourced from XTAL/EXTAL by default. Optionally, the use of a low jitter external oscillators to feed CKIH1 or CKIH2 (while not required) can be an advantage if low jitter or special frequency clock sources are required by modules driven by CKIH1 or CKIH2. See CCM chapter in the i.MX51 reference manual for details on the respective clock trees. After initialization, the CAMPs could be disabled (if not used) by CCM registers (CCR CAMPx_EN field). If disabled, the on-chip CAMP output is low; the input is irrelevant. If unused, the user should tie CKIH1/CKIH2 to GND for best practice.
CLK_SS	Clock Source Select is the input that selects the default reference clock source providing input to the DPLLs. To use a reference in the megahertz range per Table 8, tie CLK_SS to GND to select EXTAL/XTAL. To use a reference in the kilohertz range per Table 59, tie CLK_SS to NVCC_PER3 to select CKIL. After initialization, the reference clock source can be changed (initial setting is overwritten). <b>Note:</b> Because this input has a keeper circuit, Freescale recommends tying this input to directly to GND or NVCC_PER3. If a series resistor is used its value must be $\leq 4.7 \text{ k}\Omega$ .
COMP	The user should bypass this reference with an external 0.1 $\mu\text{F}$ capacitor tied to GND. If TV OUT is not used, float the COMP contact and ensure the DACs are powered down. <b>Note:</b> Previous engineering samples required this reference to be bypassed to a positive supply.
FASTR_ANA and FASTR_DIG	These signals are reserved for Freescale manufacturing use only. User must tie both connections to GND.
GPANAIO	This signal is reserved for Freescale manufacturing use only. Users should float this output.
GPIO_NAND	This is a general-purpose input/output (GPIO3_12) on the NVCC_NANDF_A power rail.
IOB, IOG, IOR, IOB_BACK, IOG_BACK, and IOR_BACK	These signals are analog TV outputs that should be tied to GND when not being used.
JTAG_nnnn	The JTAG interface is summarized in Table 4. Use of external resistors is unnecessary. However, if external resistors are used, the user must ensure that the on-chip pull-up/down configuration is followed. For example, do not use an external pull down on an input that has on-chip pull-up. JTAG_TDO is configured with a keeper circuit such that the floating condition is eliminated if an external pull resistor is not present. An external pull resistor on JTAG_TDO is detrimental and should be avoided. JTAG_MOD is referenced as SJC_MOD in the i.MX51 Reference Manual. Both names refer to the same signal. JTAG_MOD must be externally connected to GND for normal operation. Termination to GND through an external pull-down resistor (such as 1 k $\Omega$ ) is allowed.
NC	These signals are No Connect (NC) and should be floated by the user.

Table 3. Special Signal Considerations (continued)

Signal Name	Remarks
PMIC_INT_REQ	When using the MC13892 power management IC, the PMIC_INT_REQ high-priority interrupt input on i.MX51 should be either floated or tied to NVCC_SRTC_POW with a 4.7 k $\Omega$ to 68 k $\Omega$ resistor. This avoids a continuous current drain on the real-time clock backup battery due to a 100 k $\Omega$ on-chip pull-up resistor. PMIC_INT_REQ is not used by the Freescale BSP (board support package) software. The BSP requires that the general-purpose INT output from the MC13892 be connected to i.MX51 GPIO input GPIO1_8 configured to cause an interrupt that is not high-priority. The original intent was for PMIC_INT_REQ to be connected to a circuit that detects when the battery is almost depleted. In this case, the I/O must be configured as alternate mode 0 (ALTO = power fail).
POR_B	This cold reset negative logic input resets all modules and logic in the IC. <b>Note:</b> The POR_B input must be immediately asserted at power-up and remain asserted until after the last power rail is at its working voltage.
RESET_IN_B	This warm reset negative logic input resets all modules and logic except for the following: <ul style="list-style-type: none"> <li>• Test logic (JTAG, IOMUXC, DAP)</li> <li>• SRTC</li> <li>• Memory repair – Configuration of memory repair per fuse settings</li> <li>• Cold reset logic of WDOG – Some WDOG logic is only reset by POR_B. See WDOG chapter in i.MX51 Reference Manual for details.</li> </ul>
RREFEXT	Determines the reference current for the USB PHY bandgap reference. An external 6.04 k $\Omega$ 1% resistor to GND is required.
SGND, SVCC, and SVDDGP	These sense lines provide the ability to sense actual on-chip voltage levels on their respective supplies. SGND monitors differentials of the on-chip ground versus an external power source. SVCC monitors on-chip VCC, and SVDDGP monitors VDDGP. Freescale recommends connection of the SVCC and SVDDGP signals to the feedback inputs of switching power-supplies or to test points.
STR	This signal is reserved for Freescale manufacturing use. The user should float this signal.
TEST_MODE	TEST_MODE is for Freescale factory use only. This signal is internally connected to an on-chip pull-down device. Users must either float this signal or tie it to GND.
VREF	When using VREF with DDR-2 I/O, the nominal 0.9 V reference voltage must be half of the NVCC_EMI_DRAM supply. The user must tie VREF to a precision external resistor divider. Use a 1 k $\Omega$ 0.5% resistor to GND and a 1 k $\Omega$ 0.5% resistor to NVCC_EMI_DRAM. Shunt each resistor with a closely-mounted 0.1 $\mu$ F capacitor. To reduce supply current, a pair of 1.5 k $\Omega$ 0.1% resistors can be used. Using resistors with recommended tolerances ensures the $\pm$ 2% VREF tolerance (per the DDR-2 specification) is maintained when four DDR-2 ICs plus the i.MX51 are drawing current on the resistor divider. <b>Note:</b> When VREF is used with mDDR this signal must be tied to GND.
VREFOUT	This signal determines the Triple Video DAC (TVDAC) reference voltage. The user must tie VREFOUT to an external 1.18 k $\Omega$ 1% resistor to GND.

**Table 3. Special Signal Considerations (continued)**

Signal Name	Remarks
VREG	This regulator is no longer used and should be floated by the user.
XTAL/EXTAL	The user should tie a fundamental-mode crystal across XTAL and EXTAL. The crystal must be rated for a maximum drive level of 100 $\mu$ W or higher. An ESR (equivalent series resistance) of 80 $\Omega$ or less is recommended. Freescale BSP (Board Support Package) software requires 24 MHz on EXTAL. The crystal can be eliminated if an external 24 MHz oscillator is available. In this case, EXTAL must be directly driven by the external oscillator and XTAL is floated. The EXTAL signal level must swing from NVCC_OSC to GND. If the clock is used for USB, then there are strict jitter requirements: < 50 ps peak-to-peak below 1.2 MHz and < 100 ps peak-to-peak above 1.2 MHz for the USB PHY. The COSC_EN bit in the CCM (Clock Control Module) must be cleared to put the on-chip oscillator circuit in bypass mode which allows EXTAL to be externally driven. COSC_EN is bit 12 in the CCR register of the CCM.

**Table 4. JTAG Controller Interface Summary**

JTAG	I/O Type	On-chip Termination
JTAG_TCK	Input	100 k $\Omega$ pull-down
JTAG_TMS	Input	47 k $\Omega$ pull-up
JTAG_TDI	Input	47 k $\Omega$ pull-up
JTAG_TDO	3-state output	Keeper
JTAG_TRSTB	Input	47 k $\Omega$ pull-up
JTAG_DE_B	Input/open-drain output	47 k $\Omega$ pull-up
JTAG_MOD	Input	100 k $\Omega$ pull-down

### 3 Electrical Characteristics

This section provides the device and module-level electrical characteristics for the i.MX51 processor.

#### 3.1 Chip-Level Conditions

This section provides the device-level electrical characteristics for the IC. See [Table 5](#) for a quick reference to the individual tables and sections.

**Table 5. i.MX51 Chip-Level Conditions**

For these characteristics, ...	Topic appears ...
<a href="#">Table 6, “Absolute Maximum Ratings”</a>	<a href="#">on page 15</a>
<a href="#">Table 7, “Thermal Resistance Data”</a>	<a href="#">on page 15</a>
<a href="#">Table 8, “i.MX51 Operating Ranges”</a>	<a href="#">on page 16</a>
<a href="#">Table 9, “Interface Frequency”</a>	<a href="#">on page 18</a>



**CAUTION**

Stresses beyond those listed under [Table 6](#) may cause permanent damage to the device. These are stress ratings only. Functional operation of the device at these or any other conditions beyond those indicated under [Table 8](#), "[i.MX51 Operating Ranges](#)," on page 16 is not implied. Exposure to absolute-maximum-rated conditions for extended periods may affect device reliability.

**Table 6. Absolute Maximum Ratings**

Parameter Description	Symbol	Min	Max	Unit
Peripheral Core Supply Voltage	VCC	-0.3	1.35	V
ARM Core Supply Voltage	VDDGP	-0.3	1.15	V
Supply Voltage (UHVIO, I <sup>2</sup> C)	Supplies denoted as I/O Supply	-0.5	3.6	V
Supply Voltage (except UHVIO, I <sup>2</sup> C)	Supplies denoted as I/O Supply	-0.5	3.3	V
USB VBUS	VBUS	—	5.25	V
Input/Output Voltage Range	V <sub>in</sub> /V <sub>out</sub>	-0.5	OVDD +0.3 <sup>1</sup>	V
ESD Damage Immunity:	V <sub>esd</sub>			V
Human Body Model (HBM)		—	2000	
Charge Device Model (CDM)		—	500	
Storage Temperature Range	T <sub>STORAGE</sub>	-40	125	°C
Junction Temperature (MCIMX51xD - Consumer)	T <sub>J</sub>	—	105	°C
Junction Temperature (MCIMX51xC - Industrial)	T <sub>J</sub>	—	125	°C

<sup>1</sup> The term OVDD in this section refers to the associated supply rail of an input or output. The association is described in [Table 111 on page 141](#) and [Table 114 on page 160](#). The maximum range can be superseded by the DC tables.

[Table 7](#) provides the thermal resistance data.

**Table 7. Thermal Resistance Data**

Rating	Board	Symbol	Value	Unit
Junction to Case <sup>1</sup> , 19 x 19 mm package	—	R <sub>θJC</sub>	6	°C/W
Junction to Case <sup>1</sup> , 13 x 13 mm package	—	R <sub>θJC</sub>	6	°C/W

<sup>1</sup> R<sub>jc-x</sub> per JEDEC 51-12: The junction-to-case thermal resistance. The "x" indicates the case surface where T<sub>case</sub> is measured and through which 100% of the junction power is forced to flow due to the cold plate heat sink fixture placed either at the top (T) or bottom (B) of the package, with no board attached to the package.

Table 8. i.MX51 Operating Ranges

Symbol	Parameter	Minimum <sup>1</sup>	Nominal <sup>2</sup>	Maximum <sup>1</sup>	Unit
VDDGP MCIMX51xD products (Consumer)	ARM core supply voltage $0 \leq f_{\text{ARM}} \leq 167$ MHz	0.8	0.85	1.15	V
	ARM core supply voltage $167 < f_{\text{ARM}} \leq 800$ MHz	1.05	1.1	1.15	V
	ARM core supply voltage Stop mode	0.8 <sup>3</sup>	0.85	1.15	V
VDDGP MCIMX51xC products (Industrial)	ARM core supply voltage $0 < f_{\text{ARM}} \leq 600$ MHz	TBD	1.0	TBD	V
	ARM core supply voltage Stop mode	TBD	0.95	TBD	V
VCC MCIMX51xD products (Consumer)	Peripheral supply voltage High Performance Mode (HPM) The clock frequencies are derived from AXI and AHB buses using 133 or 166 MHz (as needed). The DDR clock rate is 200 MHz. <b>Note:</b> For detailed information about the use of 133 or 166 MHz clocks, refer to the i.MX51 Reference Manual.	1.175	1.225	1.275	V
	Peripheral supply voltage Low Performance Mode (LPM) The clock frequencies are derived from AXI and AHB buses at 44 MHz and a DDR clock rate of DDR Clock/3. DDR2 does not support frequencies below 125 MHz per JEDEC.	1.00	1.05	1.275	V
	Peripheral supply voltage—Stop mode	0.9 <sup>3</sup>	0.95	1.275	V
VCC MCIMX51xC products (Industrial)	Peripheral supply voltage High Performance Mode (HPM) The clock frequencies are derived from AXI and AHB buses using 133 or 166 MHz (as needed). The DDR clock rate is 200 MHz. <b>Note:</b> For detailed information about the use of 133 or 166 MHz clocks, refer to the i.MX51 Reference Manual.	TBD	1.225	TBD	V
	Peripheral supply voltage—Stop mode	TBD	0.95	TBD	V
VDDA	Memory arrays voltage—Run Mode	1.15	1.20	1.275	V
	Memory arrays voltage—Stop Mode	0.9 <sup>3</sup>	0.95	1.275	V
VDD_DIG_PLL_A VDD_DIG_PLL_B	PLL Digital supplies	1.15	1.2	1.35	V
VDD_ANA_PLL_A VDD_ANA_PLL_B	PLL Analog supplies	1.75	1.8	1.95	V

Table 8. i.MX51 Operating Ranges (continued)

Symbol	Parameter	Minimum <sup>1</sup>	Nominal <sup>2</sup>	Maximum <sup>1</sup>	Unit
NVCC_EMI NVCC_PER5 NVCC_PER10 NVCC_PER11 NVCC_PER12 NVCC_PER13 NVCC_PER14	GPIO EMI Supply and additional digital power supplies.	1.65	1.875 or 2.775	3.1	V
NVCC_IPUx <sup>4</sup> NVCC_PER3 NVCC_PER8 NVCC_PER9	GPIO IPU Supply and additional digital power supplies.	1.65	1.875 or 2.775	3.1	V
NVCC_EMI_DRAM	DDR and Fuse Read Supply	1.65	1.8	1.95	V
VDD_FUSE <sup>5</sup>	Fusebox Program Supply (Write Only)	3.0	—	3.3	V
NVCC_NANDF_x <sup>6</sup> NVCC_PER15 NVCC_PER17	Ultra High voltage I/O (UHVIO) supplies	—			V
	UHVIO_L	1.65	1.875	1.95	
	UHVIO_H	2.5	2.775	3.1	
	UHVIO_UH	3.0	3.3	3.6	
NVCC_USBPHY NVCC_OSC	USB_PHY analog supply, oscillator analog supply <sup>7</sup>	2.25	2.5	2.75	V
TVDAC_DHVDD, NVCC_TV_BACK, AHVDDRGB	TVE-to-DAC level shifter supply, cable detector supply, analog power supply to RGB channel	2.69	2.75	2.91	V
NVCC_HS4_1 NVCC_HS4_2 NVCC_HS6 NVCC_HS10	HS-GPIO additional digital power supplies	1.65	—	3.1	V
NVCC_I2C	I <sup>2</sup> C and HS-I <sup>2</sup> C I/O Supply <sup>8</sup>	1.65	1.875	1.95	V
		2.7	3.0	3.3	
NVCC_SRTC_ POW	SRTC Core and I/O Supply (LVIO)	1.1	1.2	1.3	V
VDDA33	USB PHY I/O analog supply	3.0	3.3	3.6	V
VBUS	See <a href="#">Table 6 on page 15</a> and <a href="#">Table 109 on page 137</a> for details. This is not a power supply.	—	—	—	—
T <sub>C</sub>	Case Temperature	-20	—	85	°C

<sup>1</sup> Voltage at the package power supply contact must be maintained between the minimum and maximum voltages. The design must allow for supply tolerances and system voltage drops.

<sup>2</sup> The nominal values for the supplies indicate the target setpoint for a tolerance no tighter than  $\pm 50$  mV. Use of supplies with a tighter tolerance allows reduction of the setpoint with commensurate power savings.

<sup>3</sup> Voltage for STOP mode – final value to be determined by characterization. Higher voltage in STOP mode reduces amount of power savings.

## Electrical Characteristics

- 4 The NVCC\_IPUx rails are isolated from one another. This allows the connection of different supply voltages for each one. For example, NVCC\_IPU2 can operate at 1.8 V while NVCC\_IPU4 operates at 3.0 V.
- 5 In Read mode, Freescale recommends VDD\_FUSE be floated or grounded. Tying VDD\_FUSE to a positive supply (3.0 V–3.3 V) increases the possibility of inadvertently blowing fuses and is not recommended.
- 6 The NAND Flash supplies are composed of three groups: A, B, and C. Each group can be powered with a different supply voltage. For example, NVCC\_NANDF\_A = 1.8 V, NVCC\_NANDF\_B = 3.0 V, NVCC\_NANDF\_C = 2.7 V.
- 7 The analog supplies should be isolated in the application design. Use of series inductors is recommended.
- 8 Operation of the HS-I<sup>2</sup>C and I<sup>2</sup>C is not guaranteed when operated between the supply voltages of 1.95 to 2.7 V.

**Table 9. Interface Frequency**

Parameter Description	Symbol	Min	Max	Unit
JTAG: TCK Operating Frequency	f <sub>tck</sub>	See Table 86, "JTAG Timing," on page 119		MHz
CKIL: Operating Frequency	f <sub>ckil</sub>	See Table 61, "FPM Specifications," on page 69		kHz
CKIH: Operating Frequency	f <sub>ckih</sub>	See Table 34, "CAMP Electrical Parameters (CKIH1, CKIH2)," on page 37		MHz
XTAL Oscillator	f <sub>xtal</sub>	22	27	MHz

### 3.1.1 Supply Current

**Table 10. Fuse Supply Current**

Description	Symbol	Min	Typ	Max	Unit
eFuse Program Current. <sup>1</sup> Current to required to program one eFuse bit: The associated VDD_FUSE supply per Table 8.	I <sub>program</sub>	—	60	TBD	mA
eFuse Read Current <sup>2</sup> Current necessary to read an 8-bit eFuse word	I <sub>read</sub>	—	TBD	TBD	mA

<sup>1</sup> The current I<sub>program</sub> is only required during program time (t<sub>program</sub>).

<sup>2</sup> The current I<sub>read</sub> is present for approximately TBD ns of the read access to the 8-bit word. The current is derived from the DDR supply (NVCC\_EMI\_DRAM).

Table 11 shows the current core consumption (not including I/O) of the i.MX51.

**Table 11. i.MX51 Stop Mode Current and Power Consumption <sup>1</sup>**

Mode	Condition	Supply	Nominal	Unit
Stop Mode <ul style="list-style-type: none"> <li>External reference clocks gated</li> <li>Power gating for ARM and processing units</li> <li>Stop mode voltage</li> </ul>	VDDGP = 0.85 V, VCC = 0.95 V, VDDA = 0.95 V ARM CORE in SRPG mode L1 and L2 caches power gated IPU in S&RPG mode VPU and GPU in PG mode All PLLs off, all CCM-generated clocks off CKIL input on with 32 kHz signal present All modules disabled USBPHY PLL off External (MHz) crystal and on-chip oscillator powered down (SBYOS bit asserted) No external resistive loads that cause current flow Standby voltage allowed (VSTBY bit is asserted) TA = 25°C	VDDGP	0.18	mA
		VCC	0.35	
		VDDA	0.15	
		NVCC_OSC	0.012	
		Total	0.66	mW
Stop Mode <ul style="list-style-type: none"> <li>External reference clocks gated</li> <li>Power gating for ARM and processing units</li> <li>HPM voltage</li> </ul>	VDDGP = 1.1 V, VCC = 1.225 V, VDDA = 1.2 V ARM CORE in SRPG mode L1 and L2 caches power gated IPU in S&RPG mode VPU and GPU in PG mode All PLLs off, all CCM-generated clocks off CKIL input on with 32 kHz signal present All modules disabled. USBPHY PLL off External (MHz) crystal and on-chip oscillator powered down (SBYOS bit asserted) No external resistive loads that cause current flow TA = 25°C	VDDGP	0.24	mA
		VCC	0.45	
		VDDA	0.2	
		NVCC_OSC	0.012	
		Total	1.09	mW
Stop Mode <ul style="list-style-type: none"> <li>External reference clocks enabled</li> <li>Power gating for ARM and processing units</li> <li>HPM voltage</li> </ul>	VDDGP = 1.1 V, VCC = 1.225 V, VDDA = 1.20 V ARM CORE in SRPG mode L1 and L2 caches power gated IPU in S&RPG mode VPU and GPU in PG mode All PLLs off, all CCM-generated clocks off CKIL input on with 32 kHz signal present All modules disabled USBPHY PLL off External (MHz) crystal and on-chip oscillator powered and generating reference clock No external resistive loads that cause current flow TA = 25°C	VDDGP	0.24	mA
		VCC	0.45	
		VDDA	0.2	
		NVCC_OSC	1.5	
		Total	4.8	mW

Table 11. i.MX51 Stop Mode Current and Power Consumption (continued)<sup>1</sup>

Mode	Condition	Supply	Nominal	Unit
Stop Mode <ul style="list-style-type: none"> <li>External reference clocks enabled</li> <li>No power gating for ARM and processing units</li> <li>HPM voltage</li> </ul>	VDDGP = 1.1 V, VCC = 1.225 V, VDDA = 1.2 V All PLLs off, all CCM-generated clocks off CKIL input on with 32 kHz signal present All modules disabled USBPHY PLL off External (MHz) crystal and on-chip oscillator powered and generating reference clock No external resistive loads that cause current flow TA = 25°C	VDDGP	50	mA
		VCC	2	
		VDDA	1.15	
		NVCC_OSC	1.5	
		Total	63	mW

<sup>1</sup> The data in this table will be finalized after the complete characterization of the silicon.

### 3.1.2 USB PHY Current Consumption

Table 12. USB PHY Current Consumption

Parameter	Conditions		Typical @ 25 °C	Max	Unit
Analog Supply VDDA33 (3.3 V)	Full Speed	RX	5.5	6	mA
		TX	7	8	
	High Speed	RX	5	6	
		TX	5	6	
Analog Supply NVCC_USBPHY (2.5 V)	Full Speed	RX	6.5	7	mA
		TX	6.5	7	
	High Speed	RX	12	13	
		TX	21	22	
Digital Supply VCC (1.2 V)	Full Speed	RX	6	7	mA
		TX	6	7	
	High Speed	RX	6	7	
		TX	6	7	
VDDA33 + NVCC_USBPHY + VCC	Suspend		50	100	µA

## 3.2 Supply Power-Up/Power-Down Requirements and Restrictions

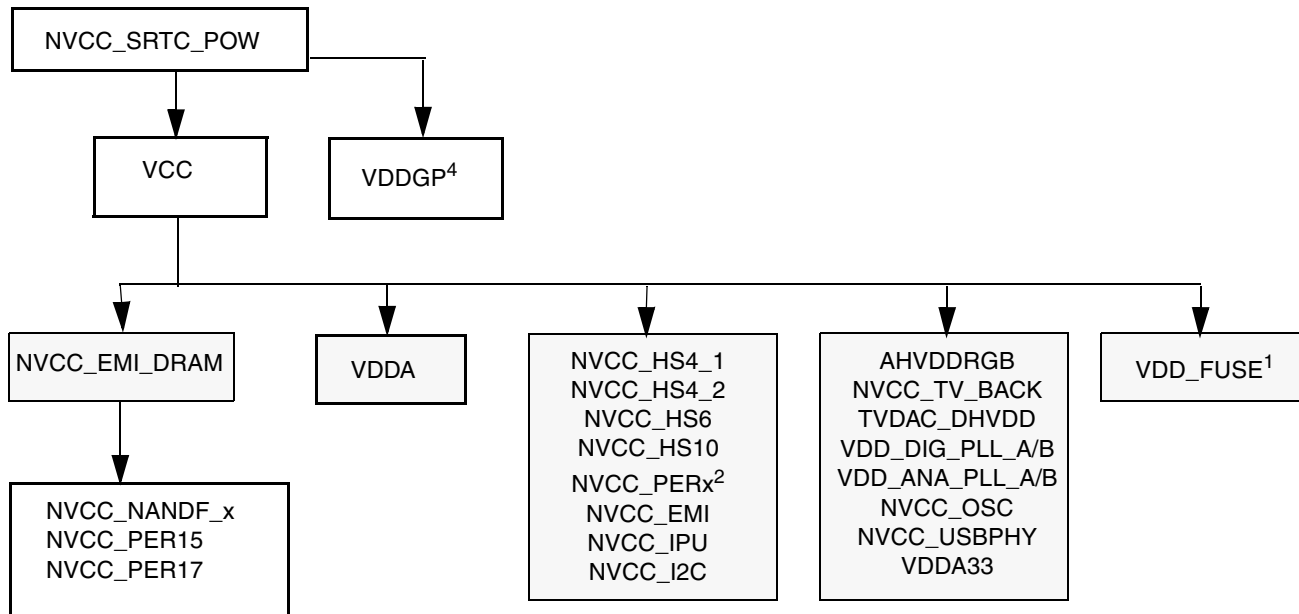
The system design must comply with the power-up and power-down sequence guidelines as described in this section to guarantee reliable operation of the device. Any deviation from these sequences may result in the following situations:

- Excessive current during power-up phase
- Prevention of the device from booting
- Irreversible damage to the i.MX51 processor (worst-case scenario)



### 3.2.1 Power-Up Sequence

Figure 2 shows the power-up sequence.



1. VDD\_FUSE should only be powered when writing.
2. NVCC\_PERx refers to NVCC\_PER 3, 5, 8, 9, 10, 11, 12, 13, 14.
3. No power-up sequence dependencies exist between the supplies shown in the block diagram shaded in gray.
4. There is no requirement for VDDGP to be preceded by any other power supply other than NVCC\_SRTC\_POW.

Figure 2. Power-Up Sequence

#### NOTE

The POR\_B input must be immediately asserted at power-up and remain asserted until after the last power rail is at its working voltage.

### 3.2.2 Power-Down Sequence

The following power-down sequence is recommend for the i.MX51 processor:

- To be provided.

### 3.3 I/O DC Parameters

This section includes the DC parameters of the following I/O types:

- General Purpose I/O and High-Speed General Purpose I/O (GPIO/HSGPIO)
- Double Data Rate 2 (DDR2)
- Low Voltage I/O (LVIO)
- Ultra High Voltage I/O (UHVIO)
- High-Speed I<sup>2</sup>C and I<sup>2</sup>C
- Enhanced Secure Digital Host Controller (eSDHC)

## NOTE

The term ‘OVDD’ in this section refers to the associated supply rail of an input or output. The association is shown in [Table 111](#) and [Table 114](#).

## 3.3.1 GPIO/HSGPIO I/O DC Parameters

The parameters in [Table 13](#) are guaranteed per the operating ranges in [Table 8](#), unless otherwise noted.

Table 13. GPIO/HSGPIO DC Electrical Characteristics

Parameter	Symbol	Test Conditions	Min	Typ	Max	Unit
High-level output voltage	Voh	I <sub>out</sub> = -1 mA	OVDD - 0.15	—	OVDD + 0.3	V
Low-level output voltage	Vol	I <sub>out</sub> = 1 mA	—	—	0.15	V
High-level output current	Ioh	V <sub>out</sub> = 0.8×OVDD Low drive Medium drive High drive Max drive	-1.9 -3.7 -5.2 -6.6	—	—	mA
Low-level output current	Iol	V <sub>out</sub> = 0.2×OVDD Low drive Medium drive High drive Max drive	1.9 3.7 5.2 6.6	—	—	mA
High-Level DC input voltage <sup>1</sup>	VIH	—	0.7 × OVDD	—	OVDD	V
Low-Level DC input voltage <sup>1</sup>	VIL	—	0	—	0.3×OVDD	V
Input Hysteresis	VHYS	OVDD = 1.875 OVDD = 2.775	0.25	0.34 0.45	—	V
Schmitt trigger VT+ <sup>1,2</sup>	VT+	—	0.5OVDD	—	—	V
Schmitt trigger VT- <sup>1,2</sup>	VT-	—	—	—	0.5 × OVDD	V
Input current (no pull-up/down)	IIN	VI = OVDD or 0	—	—	TBD	—
Input current (22 kΩ Pull-up)	IIN	VI = 0 VI = OVDD	—	—	161 TBD	μA
Input current (47 kΩ Pull-up)	IIN	VI = 0 VI = OVDD	—	—	76 TBD	μA
Input current (100 kΩ Pull-up)	IIN	VI = 0 VI = OVDD	—	—	36 TBD	μA
Input current (100 kΩ Pull-down)	IIN	VI = 0 VI = OVDD	—	—	TBD 36	μA
High-impedance I/O supply current	I <sub>cc-ovdd</sub>	VI = OVDD or 0	—	—	TBD	μA
Keeper Circuit Resistance		OVDD = 1.875V OVDD = 2.775V	— —	22 17	— —	kΩ

<sup>1</sup> To maintain a valid level, the transition edge of the input must sustain a constant slew rate (monotonic) from the current DC level through to the target DC level, VIL or VIH. Monotonic input transition time is from 0.1ns to 1s.

<sup>2</sup> Hysteresis of 250 mV is guaranteed over all operating conditions when hysteresis is enabled.

### 3.3.2 DDR2 I/O DC Parameters

The parameters in Table 14 are guaranteed per the operating ranges in Table 8, unless otherwise noted.

Table 14. DDR2 I/O DC Electrical Parameters

Parameters	Symbol	Test Conditions	Min	Max	Unit
High-level output voltage	Voh	—	OVDD – 0.28	—	V
Low-level output voltage	Vol	—	—	0.28	V
Output minimum Source Current	Ioh	OVDD=1.7V Vout=1.42V	–13.4	—	mA
Output min Sink Current	Iol	OVDD=1.7V Vout=0.28V	13.4	—	mA
DC input Logic High	VIH	—	OVDD/2+0.125	OVDD+0.3	V
DC input Logic Low	VIL	—	–0.3	OVDD/2–0.125	V
Input voltage range of each differential input	Vin	—	–0.3	OVDD+0.3	V
Differential input voltage required for switching	Vid	—	0.25	OVDD+0.6	V
Termination Voltage	Vtt	Vtt tracking OVDD/2	OVDD/2 – 0.04	OVDD/2 + 0.04	V
Input current (no pull-up/down)	Iin	VI = 0 VI=OVDD	— —	TBD TBD	μA

### 3.3.3 Low Voltage I/O (LVIO) DC Parameters

The parameters in Table 15 are guaranteed per the operating ranges in Table 8, unless otherwise noted.

Table 15. LVIO DC Electrical Characteristics

DC Electrical Characteristics	Symbol	Test Conditions	Min	Typ	Max	Unit
High-level output voltage	Voh	Iout = –1 mA	OVDD–0.15	—	—	V
Low-level output voltage	Vol	Iout = 1 mA	—	—	0.15	V
High-level output current	I Ioh	Vout = 0.8 × OVDD Low Drive Medium Drive High Drive Max Drive	–2.1 –4.2 –6.3 –8.4	—	—	mA
Low-level output current	I Iol	Vout = 0.2 × OVDD Low Drive Medium Drive High Drive Max Drive	2.1 4.2 6.3 8.4	—	—	mA
High-Level DC input voltage <sup>1</sup>	VIH	—	0.7 × OVDD	—	OVDD	V
Low-Level DC input voltage <sup>1</sup>	VIL	—	0	—	0.3 × OVDD	V
Input Hysteresis	VHYS	OVDD = 1.875 OVDD = 2.775	0.35	0.62 1.27	—	V
Schmitt trigger VT+ <sup>1,2</sup>	VT+	—	0.5 × OVDD	—	—	V
Schmitt trigger VT– <sup>1,2</sup>	VT–	—	—	—	0.5 × OVDD	V

Table 15. LVIO DC Electrical Characteristics (continued)

DC Electrical Characteristics	Symbol	Test Conditions	Min	Typ	Max	Unit
Input current (no pull-up/down)	IIN	VI = 0 or OVDD	—	—	TBD	μA
Input current (22 kΩ Pull-up)	IIN	VI = 0 VI = OVDD	—	—	16 TBD	μA
Input current (47 kΩ Pull-up)	IIN	VI = 0 VI = OVDD	—	—	76 TBD	μA
Input current (100 kΩ Pull-up)	IIN	VI = 0 VI = OVDD	—	—	36 TBD	μA
Input current (100 kΩ Pull-down)	IIN	VI = 0 VI = OVDD	—	—	TBD 36	μA
Keeper Circuit Resistance	—	OVDD = 1.875V OVDD = 2.775V	— —	22 17	— —	kΩ

<sup>1</sup> To maintain a valid level, the transition edge of the input must sustain a constant slew rate (monotonic) from the current DC level through to the target DC level, VIL or VIH. Monotonic input transition time is from 0.1 ns to 1 s.

<sup>2</sup> Hysteresis of 250 mV is guaranteed over all operating conditions when hysteresis is enabled.

### 3.3.4 Ultra-High Voltage I/O (UHVIO) DC Parameters

The parameters in Table 16 are guaranteed per the operating ranges in Table 8, unless otherwise noted.

Table 16. UHVIO DC Electrical Characteristics<sup>1</sup>

DC Electrical Characteristics	Symbol	Test Conditions	Min	Typ	Max	Unit
High-level output voltage	Voh	Iout = -1mA	OVDD-0.15	—	—	V
Low-level output voltage	Vol	Iout = 1mA	—	—	0.15	V
High-level output current, low voltage mode	Ioh_lv	Vout = 0.8 × OVDD Low Drive Medium Drive High Drive	-2.2 -4.4 -6.6	—	—	mA
High-level output current, high voltage mode	Ioh_hv	Vout = 0.8 × OVDD Low Drive Medium Drive High Drive	-5.1 -10.2 -15.3	—	—	mA
Low-level output current, low voltage mode	Iol_lv	Vout = 0.2 × OVDD Low Drive Medium Drive High Drive	2.2 4.4 6.6	—	—	mA
Low-level output current, high voltage mode	Iol_hv	Vout = 0.2 × OVDD Low Drive Medium Drive High Drive	5.1 10.2 15.3	—	—	mA
High-Level DC input voltage <sup>2,3</sup>	VIH	—	0.7 × OVDD	—	OVDD	V
Low-Level DC input voltage <sup>2,3</sup>	VIL	—	0	—	0.3 × OVDD	V

Table 16. UHVIO DC Electrical Characteristics<sup>1</sup> (continued)

DC Electrical Characteristics	Symbol	Test Conditions	Min	Typ	Max	Unit
Input Hysteresis	VHYS	low voltage mode high voltage mode	0.38 0.95	—	0.43 1.33	V
Schmitt trigger $VT_+$ <sup>2,4</sup>	VT+	—	0.5OVDD	—	—	V
Schmitt trigger $VT_-$ <sup>2,4</sup>	VT-	—	—	—	$0.5 \times OVDD$	V
Input current (no pull-up/down)	IIN	$V_I = 0$ $V_I = OVDD$	—	—	TBD	$\mu A$
Input current (22 k $\Omega$ Pull-up)	IIN	$V_I = 0$ $V_I = OVDD$	—	—	202 TBD	$\mu A$
Input current (47 k $\Omega$ Pull-up)	IIN	$V_I = 0$ $V_I = OVDD$	—	—	61 TBD	$\mu A$
Input current (100 k $\Omega$ Pull-up)	IIN	$V_I = 0$ $V_I = OVDD$	—	—	47 TBD	$\mu A$
Input current (360 k $\Omega$ Pull-down)	IIN	$V_I = 0$ $V_I = OVDD$	—	—	TBD 5.7	$\mu A$
Keeper Circuit Resistance	—	NA	—	17	—	k $\Omega$

<sup>1</sup> This table applies with VCC down to 0.9 V. UHVIO are functional down to 0.85 V with degraded performance.

<sup>2</sup> To maintain a valid level, the transitioning edge of the input must sustain a constant slew rate (monotonic) from the current DC level through to the target DC level, VIL or VIH. Monotonic input transition time is from 0.1 ns to 1 s.

<sup>3</sup> Overshoot and undershoot conditions (transitions above OVDD and below OVSS) on switching pads must be held below 0.6 V, and the duration of the overshoot/undershoot must not exceed 10% of the system clock cycle. Overshoot/undershoot must be controlled through printed circuit board layout, transmission line impedance matching, signal line termination, or other methods. Non-compliance to this specification may affect device reliability or cause permanent damage to the device.

<sup>4</sup> Hysteresis of 250 mV is guaranteed over all operating conditions when hysteresis is enabled.

### 3.3.5 I<sup>2</sup>C I/O DC Parameters

**NOTE:** See the errata for HS-I2C in i.MX51 Chip Errata document. The two standard I2C modules have no errata

The DC Electrical Characteristics listed below are guaranteed using operating ranges per [Table 8](#), unless otherwise noted.

Table 17. I<sup>2</sup>C Standard/Fast/High-Speed Mode Electrical Parameters for Low/Medium Drive Strength

Parameter	Symbol	Test Conditions	Min	Typ	Max	Unit
Low-level output voltage	Vol	I <sub>ol</sub> = 3mA	—	—	0.4	V
High-Level DC input voltage <sup>1</sup>	VIH	—	$0.7 \times OVDD$	—	OVDD	V
Low-Level DC input voltage <sup>1</sup>	VIL	—	0	—	$0.3 \times OVDD$	V
Input Hysteresis	VHYS	—	0.25	—	—	V
Schmitt trigger $VT_+$ <sup>1,2</sup>	VT+	—	$0.5 \times OVDD$	—	—	V

## Electrical Characteristics

**Table 17. I<sup>2</sup>C Standard/Fast/High-Speed Mode Electrical Parameters for Low/Medium Drive Strength**

Parameter	Symbol	Test Conditions	Min	Typ	Max	Unit
Schmitt trigger VT <sup>-</sup> 1,2	VT <sup>-</sup>	—	—	—	0.5 × OVDD	V
I/O leakage current (no pull-up)	I <sub>in</sub>	VI = OVDD or 0	—	—	TBD	μA

<sup>1</sup> To maintain a valid level, the transitioning edge of the input must sustain a constant slew rate (monotonic) from the current DC level through to the target DC level, VIL or VIH. Monotonic input transition time is from 0.1ns to 1s.

<sup>2</sup> Hysteresis of 250 mV is guaranteed over all operating conditions when hysteresis is enabled.

### 3.3.6 eSDHCv2 Electrical I/O DC Parameters

This module is designed to interface with both low and high-voltage cards. See [Table 8](#) for UHVIO supply ranges. [Table 18](#) lists the Module Name electrical DC characteristics.

**Table 18. MMC/SD Interface Electrical Specification**

Parameter	Min	Max	Unit	Condition/Remark
<b>All Inputs</b>				
Input Leakage Current	-10	10	μA	—
<b>All Outputs</b>				
Output Leakage Current	-10	10	μA	—
<b>Power Supply</b>				
Power Up Time	—	250	ms	—
Supply Current	100	200	mA	—
<b>Bus Signal Line Load</b>				
Pull-up Resistance	10	100	kΩ	Internal Pull-up
Open Drain Resistance	NA	NA	kΩ	For MMC cards only
External Loading Drive	40	—	pF	CMD/CLK/DAT0–7 PADs must drive external 40 pF loading in all working conditions
Open Drain Signal Level	For MMC cards only			
Output High Voltage	V <sub>DD</sub> - 0.2	—	V	I <sub>OH</sub> = -100 μA
Output Low Voltage	—	0.3	V	I <sub>OL</sub> = 2 mA
<b>Bus Signal Levels</b>				
Output HIGH Voltage	0.75 × V <sub>DD</sub>	—	V	I <sub>OH</sub> = -100 μA @ V <sub>DD</sub> min
Output LOW Voltage	—	0.125 × OVDD	V	I <sub>OL</sub> = 100 μA @ V <sub>DD</sub> min
Input HIGH Voltage	0.625 × OVDD	OVDD + 0.3	V	—
Input LOW Voltage	GND - 0.3	0.25 × OVDD	V	—



### 3.3.7 USBOTG Electrical DC Parameters

### 3.3.8 USB Port Electrical DC Characteristics

Table 19 and Table 20 list the electrical DC characteristics.

**Table 19. USBOTG Interface Electrical Specification**

Parameter	Symbol	Signals	Min	Max	Unit	Test Conditions
Input High Voltage	VIH	USB_VPOUT USB_VMOOUT USB_XRXD, USB_VPIN, USB_VMIN	VDD x 0.7	VDD	V	—
Input low Voltage	VIL	USB_VPOUT USB_VMOOUT USB_XRXD, USB_VPIN, USB_VMIN	0	VDD x 0.3	V	—
Output High Voltage	VOH	USB_VPOUT USB_VMOOUT USB_TXENB	VDD -0.43	—	V	7 mA Drv at IOH = 5 mA
Output Low Voltage	VOL	USB_VPOUT USB_VMOOUT USB_TXENB	—	0.43	V	7 mA Drv at IOH = 5 mA

**Table 20. USB Interface Electrical Specification**

Parameter	Symbol	Signals	Min	Max	Unit	Test Conditions
Input High Voltage	VIH	USB_DAT_VP USB_SE0_VM USB_RCV, USB_VP1, USB_VM1	VDD x 0.7	VDD	V	—
Input Low Voltage	VIL	USB_DAT_VP USB_SE0_VM USB_RCV, USB_VP1, USB_VM1	0	VDD x 0.3	V	—
Output High Voltage	VOH	USB_DAT_VP USB_SE0_VM USB_TXOE_B	VDD -0.43	—	V	7 mA Drv at Iout = 5 mA
Output Low Voltage	VOL	USB_DAT_VP USB_SE0_VM USB_TXOE_B	—	0.43	V	7 mA Drv at Iout = 5 mA

### 3.4 Output Buffer Impedance Characteristics

This section defines the I/O Impedance parameters of the i.MX51 processor.

#### 3.4.1 LVIO I/O Output Buffer Impedance

Table 21. LVIO I/O Output Buffer Impedance

Parameter	Symbol	Conditions	Min	Typical		Max	Unit
				OVDD 2.775 V	OVDD 1.875 V		
Output Driver Impedance	Rpu	Low Drive Strength, Ztl = 150 Ω	80	104	150	250	Ω
		Medium Drive Strength, Ztl = 75 Ω	40	52	75	125	
		High Drive Strength, Ztl = 50 Ω	27	35	51	83	
		Max Drive Strength, Ztl = 37.5 Ω	20	26	38	62	
Output Driver Impedance	Rpd	Low Drive Strength, Ztl = 150 Ω	64	88	134	243	Ω
		Medium Drive Strength, Ztl = 75 Ω	32	44	66	122	
		High Drive Strength, Ztl = 50 Ω	21	30	44	81	
		Max Drive Strength, Ztl = 37.5 Ω	16	22	34	61	

#### 3.4.2 DDR Output Buffer Impedance

Table 22. DDR I/O Output Buffer Impedance

Parameter	Symbol	Test Conditions	Best Case T <sub>j</sub> = -20 °C OVDD = 1.95 V VCC = 1.3 V		Typical T <sub>j</sub> = 25 °C OVDD = 1.8 V VCC = 1.2 V		Worst Case T <sub>j</sub> = 105 °C OVDD = 1.6 V VCC = 1.1 V	Unit
			s0-s5 000000	s0-s5 111111	s0-s5 101010	s0-s5 111111	s0-s5 111111	
Output Driver Impedance	Rpu	Low Drive Strength, Ztl = 150 Ω	280	55.2	150	50.4	90.3	Ω
		Medium Drive Strength, Ztl = 75 Ω	140	27.6	75	34.8	45.4	
		High Drive Strength, Ztl = 50 Ω,	93.4	18.4	50	23.2	32	
Output Driver Impedance	Rpd	Low Drive Strength, Ztl = 150 Ω	293	32.8	131	48.8	72	Ω
		Medium Drive Strength, Ztl = 75 Ω	147	16.4	65.6	22	36	
		High Drive Strength, Ztl = 50 Ω,	87.7	11	43.8	14.6	24.3	

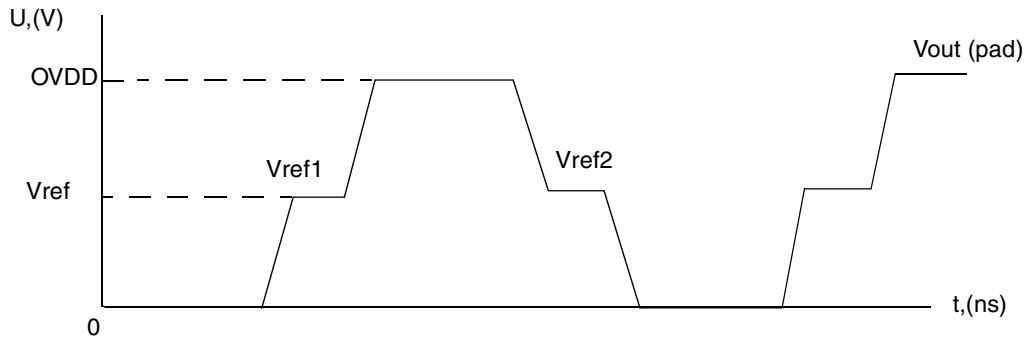
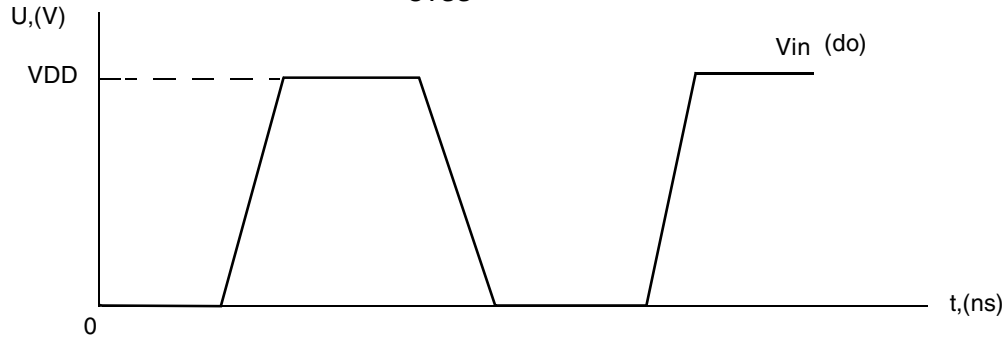
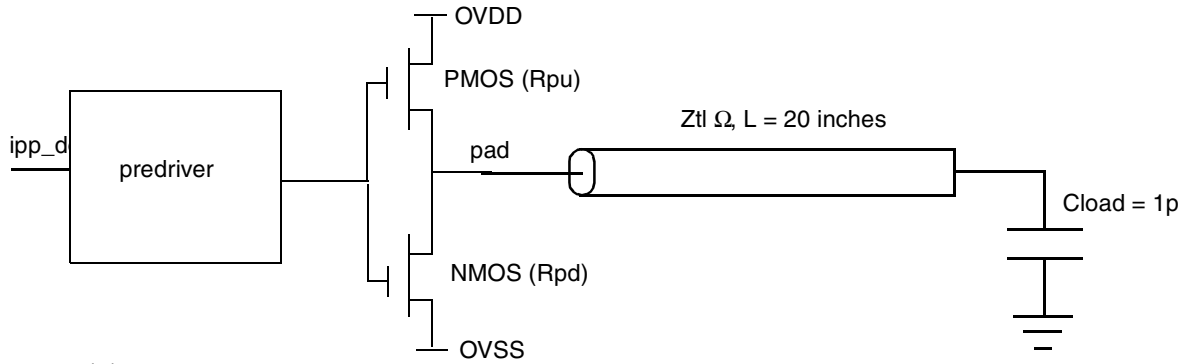
### 3.4.3 UHVIO Output Buffer Impedance

Table 23. UHVIO Output Buffer Impedance

Parameter	Symbol	Test Conditions	Min		Typ		Max		Unit
			OVDD 1.95 V	OVDD 3.0 V	OVDD 1.875 V	OVDD 3.3 V	OVDD 1.65 V	OVDD 3.6 V	
Output Driver Impedance	Rpu	Low Drive Strength, Ztl = 150 $\Omega$	98	114	124	135	198	206	$\Omega$
		Medium Drive Strength, Ztl = 75 $\Omega$	49	57	62	67	99	103	
		High Drive Strength, Ztl = 50 $\Omega$	32	38	41	45	66	69	
Output Driver Impedance	Rpd	Low Drive Strength, Ztl = 150 $\Omega$	97	118	126	154	179	217	$\Omega$
		Medium Drive Strength, Ztl = 75 $\Omega$	49	59	63	77	89	109	
		High Drive Strength, Ztl = 50 $\Omega$	32	40	42	51	60	72	

#### NOTE

Output driver impedance is measured with “long” transmission line of impedance Ztl attached to I/O pad and incident wave launched into transmission line. Rpu/Rpd and Ztl form a voltage divider that defines specific voltage of incident wave relative to OVDD. Output driver impedance is calculated from this voltage divider (see [Figure 3](#)).



$$R_{pu} = \frac{V_{ovdd} - V_{ref1}}{V_{ref1}} \times Z_{tl}$$

$$R_{pd} = \frac{V_{ref2}}{V_{ovdd} - V_{ref2}} \times Z_{tl}$$

Figure 3. Impedance Matching Load for Measurement

Because of an order from the United States International Trade Commission, BGA-packaged product lines and part numbers indicated here currently are not available from Freescale for import or sale in the United States prior to September 2010: MCIMX512DVK8C, MCIMX513DVK8C, MCIMX515DVK8C, and MCIMX511DVK8C.

### 3.5 I/O AC Parameters

The load circuit and output transition time waveforms are shown in Figure 4 and Figure 5. AC electrical characteristics for slow and fast I/O are presented in the Table 24 and Table 25, respectively.

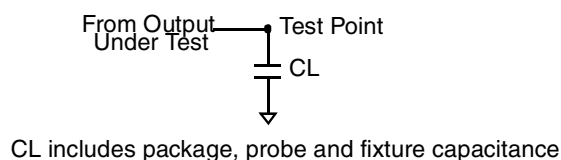


Figure 4. Load Circuit for Output

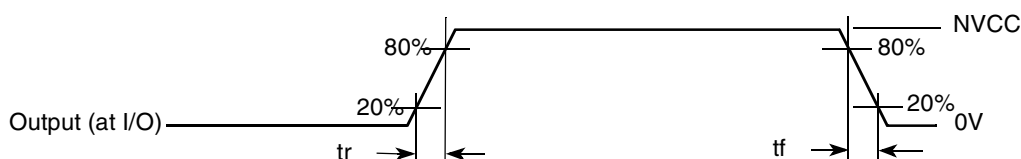


Figure 5. Output Transition Time Waveform

#### 3.5.1 Slow I/O AC Parameters

Table 24. Slow I/O AC Parameters

Parameter	Symbol	Test Condition	Min Rise/Fall	Typ	Max Rise/Fall	Unit
Output Pad Transition Times (Max Drive)	tr, tf	15 pF 35 pF	—	—	1.98/1.52 3.08/2.69	ns
Output Pad Transition Times (High Drive)	tr, tf	15 pF 35 pF	—	—	2.31/1.838 3.8/2.4	ns
Output Pad Transition Times (Medium Drive)	tr, tf	15 pF 35 pF	—	—	2.92/2.43 5.37/4.99	ns
Output Pad Transition Times (Low Drive)	tr, tf	15 pF 35 pF	—	—	4.93/4.53 10.55/9.79	ns
Output Pad Slew Rate (Max Drive)	tps	15 pF 35 pF	0.5/0.65 0.32/0.37	—	—	V/ns
Output Pad Slew Rate (High Drive)	tps	15 pF 35 pF	0.43/0.54 0.26/0.41	—	—	V/ns
Output Pad Slew Rate (Medium Drive)	tps	15 pF 35 pF	0.34/0.41 0.18/0.2	—	—	V/ns
Output Pad Slew Rate (Low Drive)	tps	15 pF 35 pF	0.20/0.22 0.09/0.1	—	—	V/ns
Output Pad di/dt (Max Drive)	tdit	—	—	—	30	mA/ns
Output Pad di/dt (High Drive)	tdit	—	—	—	23	mA/ns
Output Pad di/dt (Medium drive)	tdit	—	—	—	15	mA/ns

Table 24. Slow I/O AC Parameters (continued)

Parameter	Symbol	Test Condition	Min Rise/Fall	Typ	Max Rise/Fall	Unit
Output Pad di/dt (Low drive)	tdit	—	—	—	7	mA/ns
Input Transition Times <sup>1</sup>	trm	—	—	—	25	ns

<sup>1</sup> Hysteresis mode is recommended for inputs with transition times greater than 25 ns.

### 3.5.2 Fast I/O AC Parameters

Table 25. Fast I/O AC Parameters

Parameter	Symbol	Test Condition	Min Rise/Fall	Typ	Max Rise/Fall	Unit
Output Pad Transition Times (Max Drive)	tr, tf	15 pF 35 pF	—	—	1.429/1.275 2.770/2.526	ns
Output Pad Transition Times (High Drive)	tr, tf	15 pF 35 pF	—	—	1.793/1.607 3.565/3.29	ns
Output Pad Transition Times (Medium Drive)	tr, tf	15 pF 35 pF	—	—	2.542/2.257 5.252/4.918	ns
Output Pad Transition Times (Low Drive)	tr, tf	15 pF 35 pF	—	—	4.641/4.456 10.699/10.0	ns
Output Pad Slew Rate (Max Drive)	tps	15 pF 35 pF	0.69/0.78 0.36/0.39	—	—	V/ns
Output Pad Slew Rate (High Drive)	tps	15 pF 35 pF	0.55/0.62 0.28/0.30	—	—	V/ns
Output Pad Slew Rate (Medium Drive)	tps	15 pF 35 pF	0.39/0.44 0.19/0.20	—	—	V/ns
Output Pad Slew Rate (Low Drive)	tps	15 pF 35 pF	0.21/0.22 0.09/0.1	—	—	V/ns
Output Pad di/dt (Max Drive)	tdit	—	—	—	70	mA/ns
Output Pad di/dt (High Drive)	tdit	—	—	—	53	mA/ns
Output Pad di/dt (Medium drive)	tdit	—	—	—	35	mA/ns
Output Pad di/dt (Low drive)	tdit	—	—	—	18	mA/ns
Input Transition Times <sup>1</sup>	trm	—	—	—	25	ns

<sup>1</sup> Hysteresis mode is recommended for inputs with transition time greater than 25 ns.

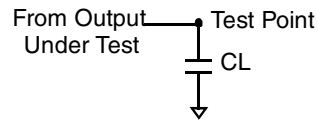
### 3.5.3 I<sup>2</sup>C AC Parameters

**NOTE:** See the errata for HS-I2C in i.MX51 Chip Errata document. The two standard I2C modules have no errata

Figure 6 depicts the load circuit for output pads for standard- and fast-mode. Figure 7 depicts the output pad transition time definition. Figure 6 depicts pull-up current source measurement for HS-mode. Figure 8



depicts load circuit with external pull-up current source for HS-mode. Figure 9 depicts HS-mode timing definition.



CL includes package, probe and fixture capacitance

Figure 6. Load Circuit for Standard- and Fast-Mode

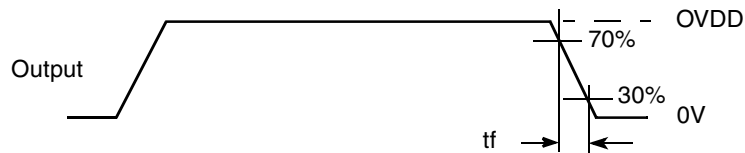
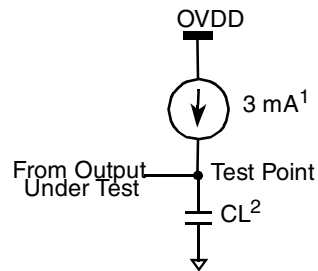


Figure 7. Definition of Timing for Standard- and Fast-Mode



**Notes:**

- <sup>1</sup>Load current when output is between  $0.3 \times OVDD$  and  $0.7 \times OVDD$
- <sup>2</sup>CL includes package, probe, and fixture capacitance.

Figure 8. Load Circuit for HS-Mode with External Pull-Up Current Source

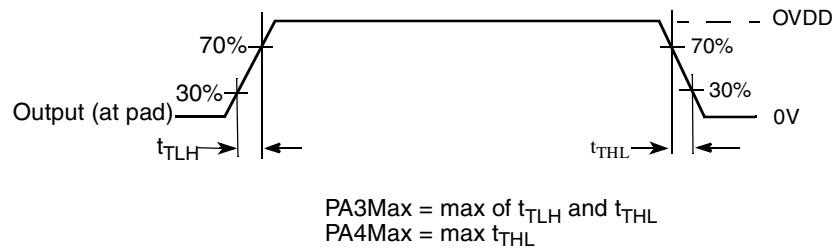


Figure 9. Definition of Timing for HS-Mode

## Electrical Characteristics

The electrical characteristics for I<sup>2</sup>C I/O are listed in the tables from the [Table 26](#) to the [Table 29](#) on [page 35](#). Characteristics are guaranteed using operating ranges per [Table 8](#), unless otherwise noted.

**Table 26. I<sup>2</sup>C Standard- and Fast-Mode Electrical Parameters for Low/Medium Drive Strength and OVDD = 2.7 V–3.3 V**

Parameter	Symbol	Test Conditions	Min	Typ	Max	Unit
Output fall time, (low driver strength)	t <sub>f</sub>	from V <sub>IHmin</sub> to V <sub>ILmax</sub> with C <sub>L</sub> from 10 pF to 400 pF	—	—	52	ns
Output fall time, (medium driver strength)	t <sub>f</sub>	from V <sub>IHmin</sub> to V <sub>ILmax</sub> with C <sub>L</sub> from 10 pF to 400 pF	—	—	28	ns

**Table 27. I<sup>2</sup>C Standard- and Fast-Mode Electrical Parameters for Low/Medium Drive Strength and OVDD = 1.65 V–1.95 V**

Parameter	Symbol	Test Conditions	Min	Typ	Max	Unit
Output fall time, (low driver strength)	t <sub>of</sub>	from V <sub>IHmin</sub> to V <sub>ILmax</sub> with C <sub>L</sub> from 10 pF to 400 pF	—	—	70	ns
Output fall time, (medium driver strength)	t <sub>of</sub>	from V <sub>IHmin</sub> to V <sub>ILmax</sub> with C <sub>L</sub> from 10 pF to 400 pF	—	—	35	ns

**Table 28. I<sup>2</sup>C High-Speed Mode Electrical Parameters for Low/Medium Drive Strength and OVDD = 2.7 V – 3.3 V**

Parameter	Symbol	Test Conditions	Min	Typ	Max	Unit
Output rise time (current-source enabled) and fall time at SCLH (low driver strength)	t <sub>rCL</sub> , t <sub>fCL</sub>	with a 3mA external pull-up current source and C <sub>L</sub> = 100 pF	—	—	18/21	ns
Output rise time (current-source enabled) and fall time at SCLH (medium driver strength)	t <sub>rCL</sub> , t <sub>fCL</sub>	with a 3mA external pull-up current source and C <sub>L</sub> = 100 pF	—	—	9/9	ns
Output fall time at SDAH (low driver strength)	t <sub>fDA</sub>	with C <sub>L</sub> from 10 pF to 100 pF	—	—	14	ns
Output fall time at SDAH (medium driver strength)	t <sub>fDA</sub>	with C <sub>L</sub> from 10 pF to 100 pF	—	—	8	ns
Output fall time at SDAH (low driver strength)	t <sub>fDA</sub>	C <sub>L</sub> = 400 pF	—	—	52	ns
Output fall time at SDAH (medium driver strength)	t <sub>fDA</sub>	C <sub>L</sub> = 400 pF	—	—	27	ns

**Table 29. I<sup>2</sup>C High-Speed Mode Electrical Parameters  
for Low/Medium Drive Strength and OVDD = 1.65 V – 1.95 V**

Parameter	Symbol	Test Conditions	Min	Typ	Max	Unit
Output rise time (current-source enabled) and fall time at SCLH (low driver strength)	$t_{rCL}, t_{fCL}$	with a 3mA external pull-up current source and $C_L = 100$ pF	—	—	10/74	ns
Output rise time (current-source enabled) and fall time at SCLH (medium driver strength)	$t_{rCL}, t_{fCL}$	with a 3mA external pull-up current source and $C_L = 100$ pF	—	—	7/14	ns
Output fall time at SDAH (low driver strength)	$t_{fDA}$	with $C_L$ from 10 pF to 100 pF	0	—	17	ns
Output fall time at SDAH (medium driver strength)	$t_{fDA}$	with $C_L$ from 10 pF to 100 pF	0	—	9	ns
Output fall time at SDAH (low driver strength)	$t_{fDA}$	$C_L = 400$ pF	30	—	67	ns
Output fall time at SDAH (medium driver strength)	$t_{fDA}$	$C_L = 400$ pF	15	—	34	ns

**Table 30. Low Voltage I<sup>2</sup>C I/O Parameters**

Parameter	Symbol	Test Condition	Min Rise/Fall	Typ	Max Rise/Fall	Unit
Output Pad di/dt (Medium drive)	tdit	—	—	—	22	mA/ns
Output Pad di/dt (Low drive)	tdit	—	—	—	11	mA/ns
Input Transition Times <sup>1</sup>	trm	—	—	—	25	ns

<sup>1</sup> Hysteresis mode is recommended for inputs with transition time greater than 25 ns

**Table 31. High Voltage I<sup>2</sup>C I/O Parameters**

Parameter	Symbol	Test Condition	Min Rise/Fall	Typ	Max Rise/Fall	Unit
Output Pad Transition Times (Medium Drive)	$t_r, t_f$	15 pF 35 pF	—	—	3/3 6/5	ns
Output Pad Transition Times (Low Drive)	$t_r, t_f$	15 pF 35 pF	—	—	5/5 9/9	ns
Output Pad Slew Rate (Medium Drive)	tps	15 pF 35 pF	0/0 0/0	—	—	V/ns
Output Pad Slew Rate (Low Drive)	tps	15 pF 35 pF	0/0 0/0	—	—	V/ns
Output Pad di/dt (Medium drive)	tdit	—	—	—	36	mA/ns
Output Pad di/dt (Low drive)	tdit	—	—	—	16	mA/ns
Input Transition Times <sup>1</sup>	trm	—	—	—	25	ns

<sup>1</sup> Hysteresis mode is recommended for inputs with transition time > 25 ns

### 3.6 Module Timing

This section contains the timing and electrical parameters for the modules in the i.MX51 processor.

#### 3.6.1 Reset Timings Parameters

Figure 10 shows the reset timing and Table 32 lists the timing parameters.

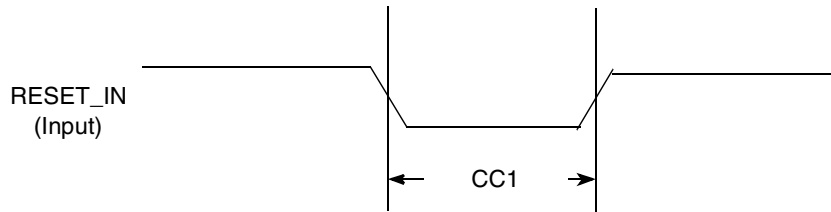


Figure 10. Reset Timing Diagram

Table 32. Reset Timing Parameters

ID	Parameter	Min	Max	Unit
CC1	Duration of RESET_IN to be qualified as valid (input slope = 5 ns)	50	—	ns

#### 3.6.2 WDOG Reset Timing Parameters

Figure 11 shows the WDOG reset timing and Table 33 lists the timing parameters.

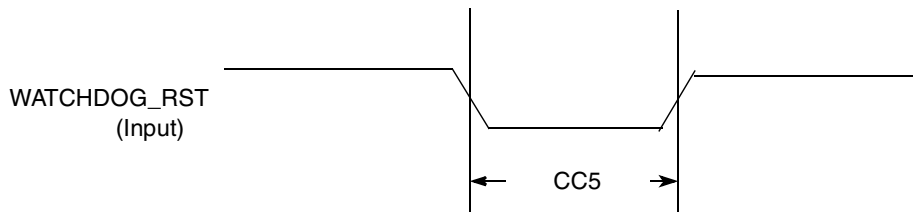


Figure 11. WATCHDOG\_RST Timing Diagram

Table 33. WATCHDOG\_RST Timing Parameters

ID	Parameter	Min	Max	Unit
CC5	Duration of WATCHDOG_RESET Assertion	1	—	T <sub>CKIL</sub>

**NOTE**

CKIL is approximately 32 kHz. T<sub>CKIL</sub> is one period or approximately 30 μs.

#### 3.6.3 AUDMUX Timing Parameters

The AUDMUX provides a programmable interconnect logic for voice, audio and data routing between internal serial interfaces (SSIs) and external serial interfaces (audio and voice codecs). The AC timing of AUDMUX external pins is hence governed by the SSI module.

### 3.6.4 Clock Amplifier Parameters (CKIH1, CKIH2)

The input to Clock Amplifier (CAMP) is internally ac-coupled allowing direct interface to a square wave or sinusoidal frequency source. No external series capacitors are required

**Table 34. CAMP Electrical Parameters (CKIH1, CKIH2)**

Parameter	Min	Typ	Max	Unit
Input frequency	8.0	—	40.0	MHz
VIL (for square wave input)	0	—	0.3	V
VIH (for square wave input)	(VCC <sup>1</sup> - 0.25)	—	3	V
Sinusoidal input amplitude	0.4 <sup>2</sup>	—	VDD	Vp-p
Output duty cycle	45	50	55	%

<sup>1</sup> VCC is the supply voltage of CAMP.

<sup>2</sup> This value of the sinusoidal input will be determined during characterization.

### 3.6.5 DPLL Electrical Parameters

**Table 35. DPLL Electrical Parameters**

Parameter	Test Conditions/Remarks	Min	Typ	Max	Unit
Reference clock frequency range <sup>1</sup>	—	10	—	100	MHz
Reference clock frequency range after pre-divider	—	10	—	40	MHz
Output clock frequency range (dpdck_2)	—	300	—	1025	MHz
Pre-division factor <sup>2</sup>	—	1	—	16	—
Multiplication factor integer part	—	5	—	15	—
Multiplication factor numerator <sup>3</sup>	Should be less than denominator	-67108862	—	67108862	—
Multiplication factor denominator <sup>2</sup>	—	1	—	67108863	—
Output Duty Cycle	—	48.5	50	51.5	%
Frequency lock time <sup>4</sup> (FOL mode or non-integer MF)	—	—	—	398	T <sub>dpdref</sub>
Phase lock time	—	—	—	100	μs
Frequency jitter <sup>5</sup> (peak value)	—	—	0.02	0.04	T <sub>dck</sub>
Phase jitter (peak value)	FPL mode, integer and fractional MF	—	2.0	3.5	ns
Power dissipation	f <sub>dck</sub> = 300 MHz @ avdd = 1.8 V, dvdd = 1.2 V f <sub>dck</sub> = 650 MHz @ avdd = 1.8 V, dvdd = 1.2 V	—	—	0.65 (avdd) 0.92 (dvdd) 1.98 (avdd) 1.8 (dvdd)	mW

<sup>1</sup> Device input range cannot exceed the electrical specifications of the CAMP, see [Table 34](#).

<sup>2</sup> The values specified here are internal to DPLL. Inside the DPLL, a “1” is added to the value specified by the user. Therefore, the user has to enter a value “1” less than the desired value at the inputs of DPLL for PDF and MFD.

## Electrical Characteristics

- <sup>3</sup> The maximum total multiplication factor (MFI + MFN/MFD) allowed is 15. Therefore, if the MFI value is 15, MFN value must be zero.
- <sup>4</sup>  $T_{dpdref}$  is the time period of the reference clock after predivider. According to the specification, the maximum lock time in FOL mode is 398 cycles of divided reference clock when DPLL starts after full reset.
- <sup>5</sup>  $T_{dck}$  is the time period of the output clock,  $dpdck\_2$ .

### 3.6.6 NAND Flash Controller (NFC) Parameters

This section provides the relative timing requirements among different signals of NFC at the module level in the different operational modes.

Timing parameters in Figure 12, through Figure 15, Figure 17, and Table 37 show the default NFC mode (asymmetric mode) using two Flash clock cycles per one access of RE\_B and WE\_B.

Timing parameters in Figure 12, Figure 13, Figure 14, Figure 16, Figure 17, and Table 37 show symmetric NFC mode using one Flash clock cycle per one access of RE\_B and WE\_B.

With reference to the timing diagrams, a high is defined as 80% of signal value and low is defined as 20% of signal value. All parameters are given in nanoseconds. The BGA contact load used in calculations is 20 pF (except for NF16 - 40 pF) and there is max drive strength on all contacts.

All timing parameters are a function of T, which is the period of the flash\_clk clock (“enfc\_clk” at system level). This clock frequency can be controlled by the user, configuring CCM (SoC clock controller). The clock is derived from emi\_slow\_clk after single divider. Table 36 demonstrates few examples for clock frequency settings.

**Table 36. NFC Clock Settings Examples**

emi_slow_clk (MHz)	nfc_podf (Division Factor)	enfc_clk (MHz)	T—Clock Period (ns) <sup>1</sup>
133 (max value)	5 (reset value)	26.6	38
133	4	33.25	31
133	3	44.33	23

<sup>1</sup> Rounded up to whole nanoseconds.

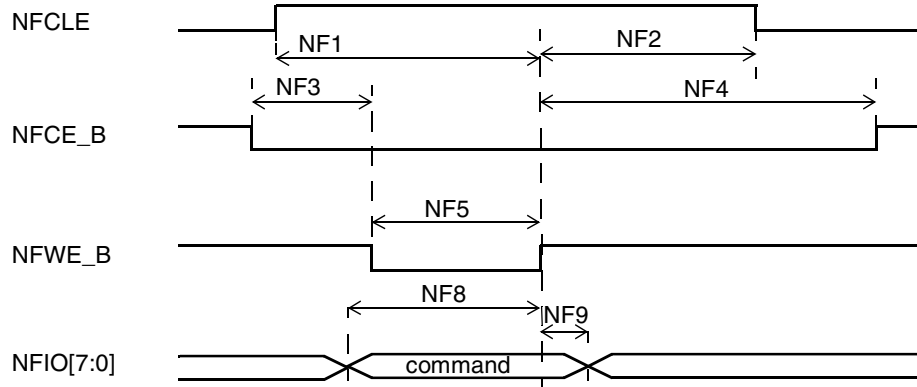


Figure 12. Command Latch Cycle Timing

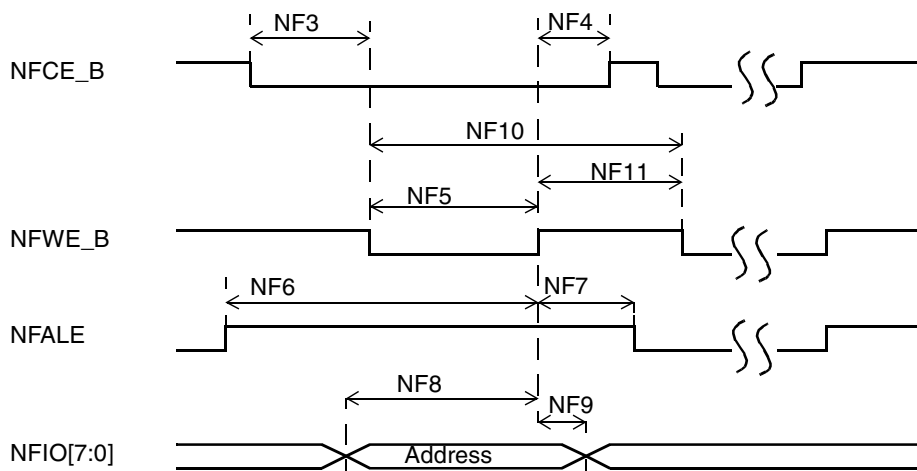


Figure 13. Address Latch Cycle Timing

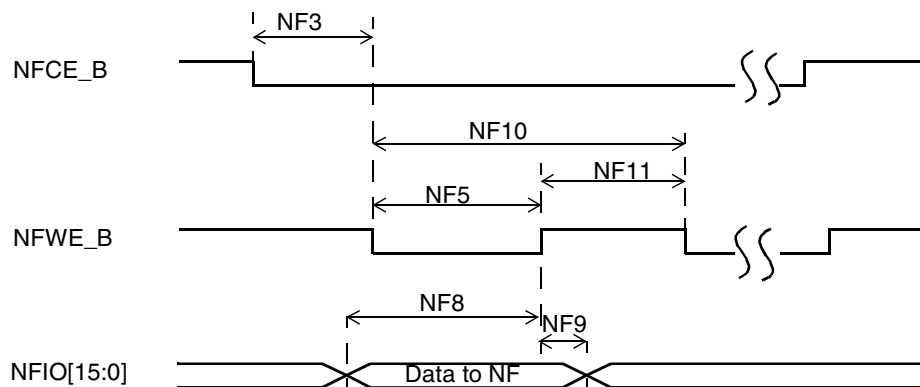
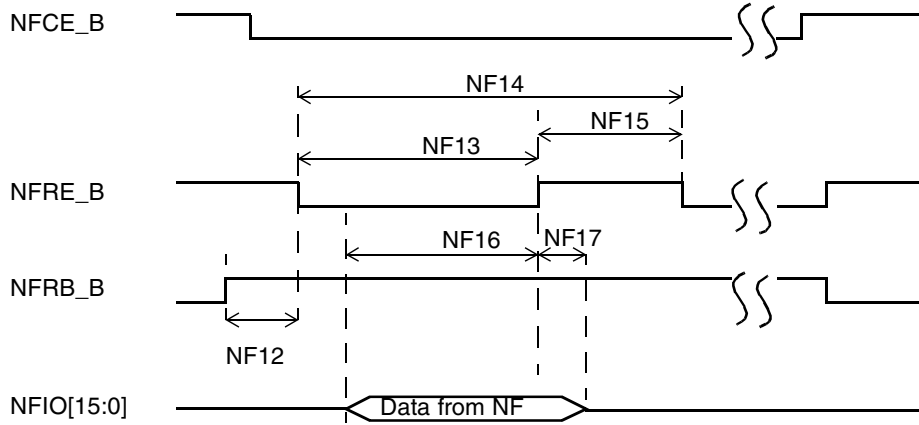


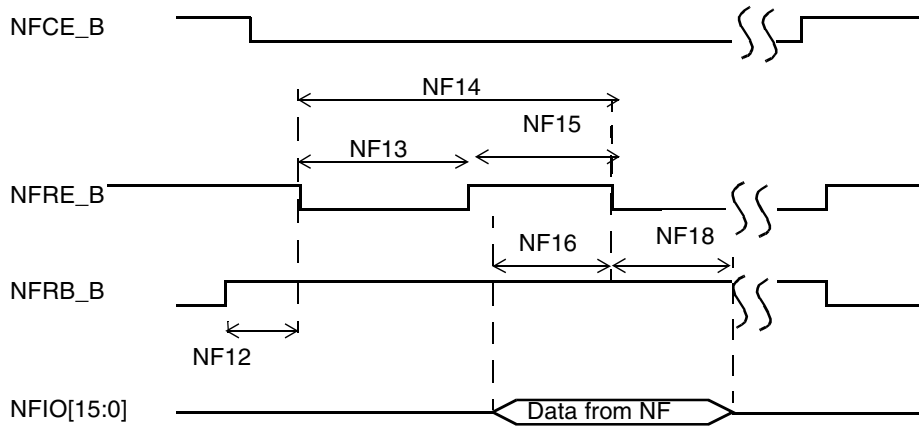
Figure 14. Write Data Latch Timing



**Electrical Characteristics**



**Figure 15. Read Data Latch Timing - asymmetric mode.**



**Figure 16. Read Data Latch Timing - Symmetric Mode.**

Because of an order from the United States International Trade Commission, BGA-packaged product lines and part numbers indicated here currently are not available from Freescale for import or sale in the United States prior to September 2010: MCIMX512DVK8C, MCIMX513DVK8C, MCIMX515DVK8C, and MCIMX511DVK8C.

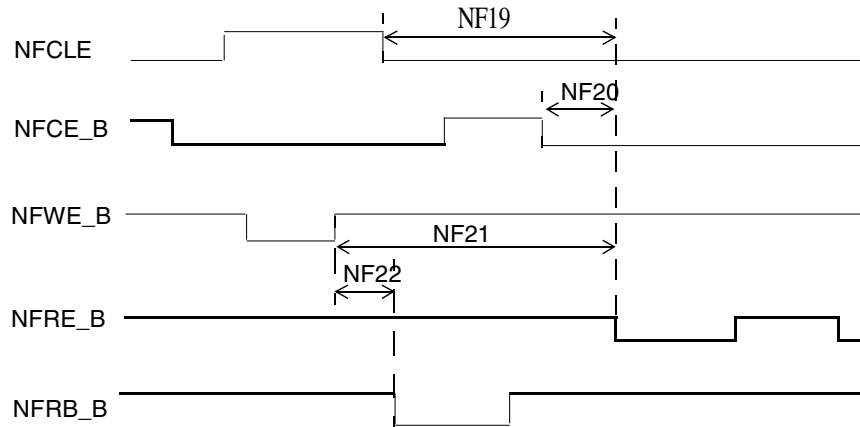


Figure 17. Other Timing Parameters.

Table 37. NFC—Timing Characteristics

ID	PARAMETER	Symbol	Asymmetric Mode Min	Symmetric Mode Min	Max
NF1	NFCLE setup Time	tCLS	2T+0.1	2T+0.1	-
NF2	NFCLE Hold Time	tCLH	T-4.45	T-4.45	-
NF3	NFCE_B Setup Time	tCS	2T+0.95	T+0.95	-
NF4	NFCE_B Hold Time	tCH	2T-5.55	1.5T-5.55	-
NF5	NFWE_B Pulse Width	tWP	T-1.4	0.5T-1.4	-
NF6	NFALE Setup Time	tALS	2T+0.1	2T+0.1	-
NF7	NFALE Hold Time	tALH	T-4.45	T-4.45	-
NF8	Data Setup Time	tDS	T-0.9	0.5T-0.9	-
NF9	Data Hold Time	tDH	T-5.55	0.5T-5.55	-
NF10	Write Cycle Time	tWC	2T	T	-
NF11	NFWE_B Hold Time	tWH	T-1.15	0.5T-1.15	-
NF12	Ready to NFRE_B Low	tRR	9T+8.9	9T+8.9	-
NF13	NFRE_B Pulse Width	tRP	1.5T	0.5T	-
NF14	READ Cycle Time	tRC	2T	T	-
NF15	NFRE_B High Hold Time	tREH	0.5T-1.15	0.5T-1.15	-
NF16 <sup>1</sup>	Data Setup on READ	tDSR	11.2+0.5T-Tdl <sup>2</sup>	11.2-Tdl <sup>2</sup>	-
NF17 <sup>3</sup>	Data Hold on READ	tDHR	0	-	2T <sub>ack</sub> +T
NF18 <sup>4</sup>	Data Hold on READ	tDHR	-	Tdl <sup>2</sup> -11.2	2T <sub>ack</sub> +T
NF19	CLE to RE delay	tCLR	13T+1.5	13T+1.5	-
NF20	CE to RE delay	tCRE	T-3.45	T-3.45	T+0.3

**Table 37. NFC—Timing Characteristics (continued)**

ID	PARAMETER	Symbol	Asymmetric Mode Min	Symmetric Mode Min	Max
NF21	WE high to RE low	tWHR	14T-5.45	14T-5.45	
NF22	WE high to busy	tWB			6T

- 1 tDSR is calculated by the following formula:  
 Asymmetric mode:  $t_{DSR} = t_{REpd} + t_{Dpd} + \frac{1}{2}T - Tdl^2$   
 Symmetric mode:  $t_{DSR} = t_{REpd} + t_{Dpd} - Tdl^2$   
 $t_{REpd} + t_{Dpd} = 11.2 \text{ ns}$  (including clock skew)  
 where tREpd is RE propagation delay in the chip including IO pad delay, and tDpd is Data propagation delay from IO pad to EMI including IO pad delay.  
 tDSR can be used to determine tREA max parameter with the following formula:  $t_{REA} = 1.5T - t_{DSR}$ .
- 2 Tdl is composed of 4 delay-line units each generates an equal delay with min 1.25 ns and max 1 aclk period (Tack). Default is 1/4 aclk period for each delay-line unit, so all 4 delay lines together generates a total of 1 aclk period. Tack is “emi\_slow\_clk” of the system, which default value is 7.5 ns (133MHz).
- 3 NF17 is defined only in asymmetric operation mode.  
 NF17 max value is equivalent to max tRHZ value that can be used with NFC.  
 Tack is “emi\_slow\_clk” of the system.
- 4 NF18 is defined only in Symmetric operation mode.  
 tDHR (MIN) is calculated by the following formula:  $Tdl^2 - (t_{REpd} + t_{Dpd})$   
 where tREpd is RE propagation delay in the chip including IO pad delay, and tDpd is Data propagation delay from IO pad to EMI including IO pad delay.  
 NF18 max value is equivalent to max tRHZ value that can be used with NFC.  
 Tack is “emi\_slow\_clk” of the system.

### 3.6.7 External Interface Module (WEIM)

#### 3.6.7.1 WEIM Signal Cross Reference

Table 38 is a guide to help the user identify signals in the WEIM Chapter of the Reference Manual Chapter that are the same as those mentioned in this data sheet.

**Table 38. WEIM Signal Cross Reference**

Reference Manual WEIM Chapter Nomenclature	Data Sheet Nomenclature, Reference Manual External Signals and Pin Multiplexing Chapter, and IOMUX Controller Chapter Nomenclature
BCLK	EIM_BCLK
CSx	EIM_CSx
WE_B	EIM_RW
OE_B	EIM_OE
BEy_B	EIM_EBx
ADV	EIM_LBA
ADDR	EIM_A[27:16], EIM_DA[15:0]
ADDR/M_DATA	EIM_DAx (Addr/Data muxed mode)

Table 38. WEIM Signal Cross Reference (continued)

Reference Manual WEIM Chapter Nomenclature	Data Sheet Nomenclature, Reference Manual External Signals and Pin Multiplexing Chapter, and IOMUX Controller Chapter Nomenclature
DATA	EIM_NFC_D (Data bus shared with NAND Flash) EIM_Dx (dedicated data bus)
WAIT_B	EIM_WAIT

### 3.6.7.2 WEIM Internal Module Multiplexing

Table 39 provides WEIM internal muxing information.

Table 39. WEIM Internal Module Multiplexing

Package Signal Name	EIM 16-Bit MUXed Data/Address	EIM 16-Bit Non-MUXed Data/Address	EIM 32-Bit MUXed Data/Address	EIM MUXed to NAND Flash DATA
EIM_DA0	DA0	A0	DA0	
EIM_DA1	DA1	A1	DA1	
EIM_DA2	DA2	A2	DA2	
EIM_DA3	DA3	A3	DA3	
EIM_DA4	DA4	A4	DA4	
EIM_DA5	DA5	A5	DA5	
EIM_DA6	DA6	A6	DA6	
EIM_DA7	DA7	A7	DA7	
EIM_DA8	DA8	A8	DA8	
EIM_DA9	DA9	A9	DA9	
EIM_DA10	DA10	A10	DA10	
EIM_DA11	DA11	A11	DA11	
EIM_DA12	DA12	A12	DA12	
EIM_DA13	DA13	A13	DA13	
EIM_DA14	DA14	A14	DA14	
EIM_DA15	DA15	A15	DA15	
EIM_D16	—	D0	D16	
EIM_D17	—	D1	D17	
EIM_D18	—	D2	D18	
EIM_D19	—	D3	D19	
EIM_D20	—	D4	D20	
EIM_D21	—	D5	D21	

Table 39. WEIM Internal Module Multiplexing (continued)

Package Signal Name	EIM 16-Bit MUXed Data/Address	EIM 16-Bit Non-MUXed Data/Address	EIM 32-Bit MUXed Data/Address	EIM MUXed to NAND Flash DATA
EIM_D22	—	D6	D22	
EIM_D23	—	D7	D23	
EIM_D24	—	D8	D24	
EIM_D25	—	D9	D25	
EIM_D26	—	D10	D26	
EIM_D27	—	D11	D27	
EIM_D28	—	D12	D28	
EIM_D29	—	D13	D29	
EIM_D30	—	D14	D30	
EIM_D31	—	D15	D31	
EIM_A16	A16	A16	A16	A16
EIM_A17	A17	A17	A17	A17
EIM_A18	A18	A18	A18	A18
EIM_A19	A19	A19	A19	A19
EIM_A20	A20	A20	A20	A20
EIM_A21	A21	A21	A21	A21
EIM_A22	A22	A22	A22	A22
EIM_A23	A23	A23	A23	A23
EIM_A24	A24	A24	A24	A24
EIM_A25	A25	A25	A25	A25
EIM_A26	A26	A26	A26	A26
EIM_A27	A27	A27	A27	A27
EIM_EB0	EB0	EB0	EB0	EB0
EIM_EB1	EB1	EB1	EB1	EB1
EIM_EB2	EB2	EB2	EB2	EB2
EIM_EB3	EB3	EB3	EB3	EB3
EIM_OE	OE	OE	OE	OE
EIM_CS0	CS0	CS0	CS0	CS0
EIM_CS1	CS1	CS1	CS1	CS1
EIM_CS2	CS2	CS2	CS2	CS2
EIM_CS3	CS3	CS3	CS3	CS3

Table 39. WEIM Internal Module Multiplexing (continued)

Package Signal Name	EIM 16-Bit MUXed Data/Address	EIM 16-Bit Non-MUXed Data/Address	EIM 32-Bit MUXed Data/Address	EIM MUXed to NAND Flash DATA
EIM_CS4	CS4	CS4	CS4	CS4
EIM_CS5	CS5	CS5	CS5	CS5
EIM_DTACK	DTACK	DTACK	DTACK	DTACK
EIM_WAIT	WAIT	WAIT	WAIT	WAIT
EIM_LBA	LBA	LBA	LBA	LBA
EIM_BCLK	BCLK	BCLK	BCLK	BCLK
EIM_RW	RW	RW	RW	RW
EIM_CRE	CRE	CRE	CRE	CRE
EIM_SDBA1	SDBA1	SDBA1	SDBA1	SDBA1
EIM_SDBA0	SDBA0	SDBA0	SDBA0	SDBA0

### 3.6.7.3 General WEIM Timing

The following diagrams and tables specify the timings related to the WEIM module. All WEIM output control signals may be asserted and deasserted by an internal clock synchronized to the BCLK rising edge according to corresponding assertion/negation control fields.

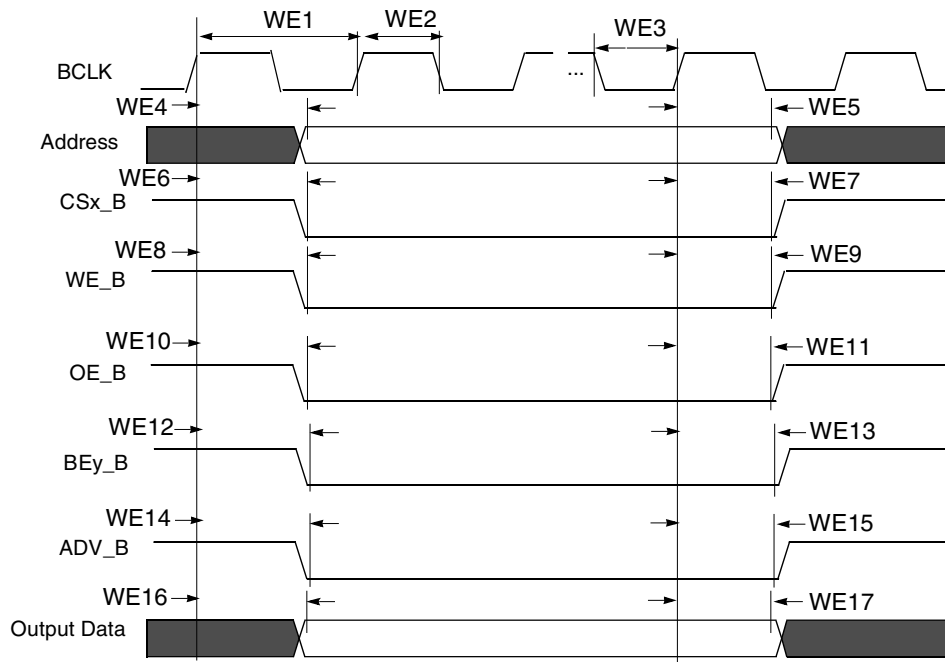


Figure 18. WEIM Outputs Timing Diagram

## Electrical Characteristics

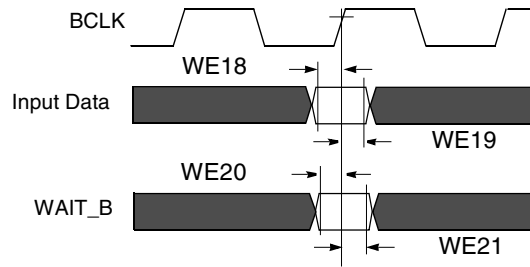


Figure 19. WEIM Inputs Timing Diagram

Table 40. WEIM Bus Timing Parameters <sup>1</sup>

ID	Parameter	BCD = 0		BCD = 1		BCD = 2		BCD = 3	
		Min	Max	Min	Max	Min	Max	Min	Max
WE1	BCLK Cycle time <sup>2</sup>	t	—	2t	—	3t	—	4t	—
WE2	BCLK Low Level Width	0.4t	—	0.8t	—	1.2t	—	1.6t	—
WE3	BCLK High Level Width	0.4t	—	0.8t	—	1.2t	—	1.6t	—
WE4	Clock rise to address valid <sup>3</sup>	0.5t-1.25	0.5t+1.75	t-1.25	t+1.75	2t-1.25	2t+1.75	3t-1.25	3t+1.75
WE5	Clock rise to address invalid	0.5t-1.25	0.5t+1.75	t-1.25	t+1.75	2t-1.25	2t+1.75	3t-1.25	3t+1.75
WE6	Clock rise to CSx_B valid	0.5t-1.25	0.5t+1.75	t-1.25	t+1.75	2t-1.25	2t+1.75	3t-1.25	3t+1.75
WE7	Clock rise to CSx_B invalid	0.5t-1.25	0.5t+1.75	t-1.25	t+1.75	2t-1.25	2t+1.75	3t-1.25	3t+1.75
WE8	Clock rise to WE_B Valid	0.5t-1.25	0.5t+1.75	t-1.25	t+1.75	2t-1.25	2t+1.75	3t-1.25	3t+1.75
WE9	Clock rise to WE_B Invalid	0.5t-1.25	0.5t+1.75	t-1.25	t+1.75	2t-1.25	2t+1.75	3t-1.25	3t+1.75
WE10	Clock rise to OE_B Valid	0.5t-1.25	0.5t+1.75	t-1.25	t+1.75	2t-1.25	2t+1.75	3t-1.25	3t+1.75
WE11	Clock rise to OE_B Invalid	0.5t-1.25	0.5t+1.75	t-1.25	t+1.75	2t-1.25	2t+1.75	3t-1.25	3t+1.75
WE12	Clock rise to BEy_B Valid	0.5t-1.25	0.5t+1.75	t-1.25	t+1.75	2t-1.25	2t+1.75	3t-1.25	3t+1.75
WE13	Clock rise to BEy_B Invalid	0.5t-1.25	0.5t+1.75	t-1.25	t+1.75	2t-1.25	2t+1.75	3t-1.25	3t+1.75
WE14	Clock rise to ADV_B Valid	0.5t-1.25	0.5t+1.75	t-1.25	t+1.75	2t-1.25	2t+1.75	3t-1.25	3t+1.75
WE15	Clock rise to ADV_B Invalid	0.5t-1.25	0.5t+1.75	t-1.25	t+1.75	2t-1.25	2t+1.75	3t-1.25	3t+1.75
WE16	Clock rise to Output Data Valid	0.5t-1.25	0.5t+1.75	t-1.25	t+1.75	2t-1.25	2t+1.75	2t-1.25	2t+1.75
WE17	Clock rise to Output Data Invalid	0.5t-1.25	0.5t+1.75	t-1.25	t+1.75	2t-1.25	2t+1.75	2t-1.25	2t+1.75
WE18	Input Data setup time to Clock rise	2	—	2	—	2	—	2	—
WE19	Input Data hold time from Clock rise	2.5	—	2.5	—	2.5	—	2.5	—



Table 40. WEIM Bus Timing Parameters (continued)<sup>1</sup>

ID	Parameter	BCD = 0		BCD = 1		BCD = 2		BCD = 3	
		Min	Max	Min	Max	Min	Max	Min	Max
WE20	WAIT_B setup time to Clock rise	2	—	2	—	2	—	2	—
WE21	WAIT_B hold time from Clock rise	2.5	—	2.5	—	2.5	—	2.5	—

<sup>1</sup> t is axi\_clk cycle time. The maximum allowed axi\_clk frequency is 133 MHz, whereas the maximum allowed BCLK frequency is 104 MHz. As a result if BCD = 0, axi\_clk must be ≤104 MHz. If BCD = 1, then 133 MHz is allowed for axi\_clk, resulting in a BCLK of 66.5 MHz. When the clock branch to WEIM is decreased to 104 MHz, other busses are impacted which are clocked from this source. See the CCM chapter of the i.MX51 Reference Manual for a detailed clock tree description.

<sup>2</sup> BCLK parameters are being measured from the 50% point. i.e., high is defined as 50% of signal value and low is defined as 50% as signal value.

<sup>3</sup> For signal measurements “High” is defined as 80% of signal value and “Low” is defined as 20% of signal value.

### 3.6.7.4 Examples of WEIM Accesses

The following diagrams give few examples of basic WEIM accesses to external memory devices with the timing parameters mentioned previously for specific control parameters settings.

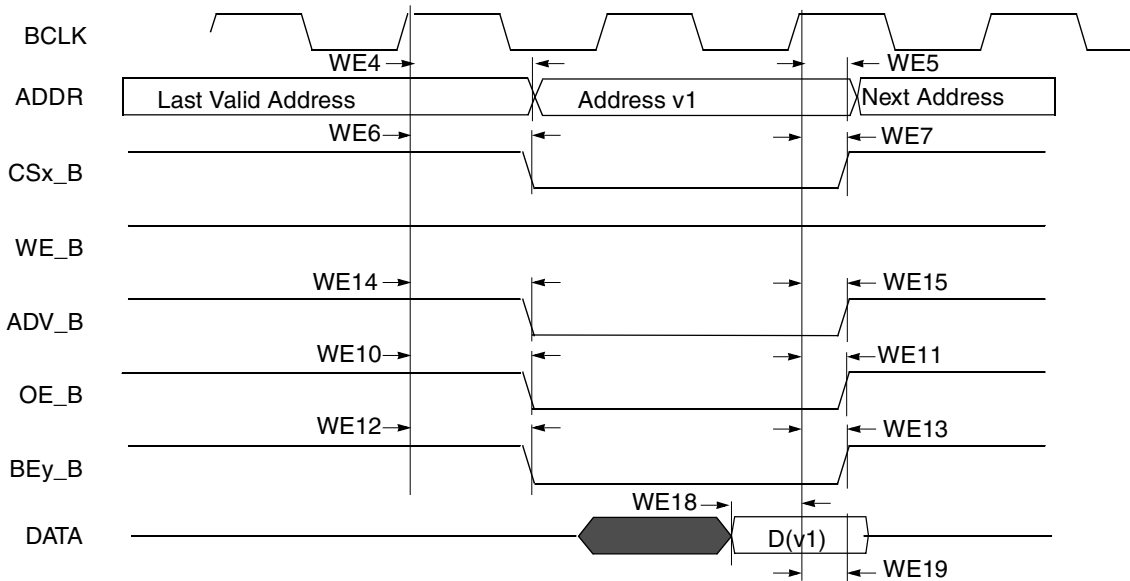


Figure 20. Synchronous Memory Read Access, WSC=1

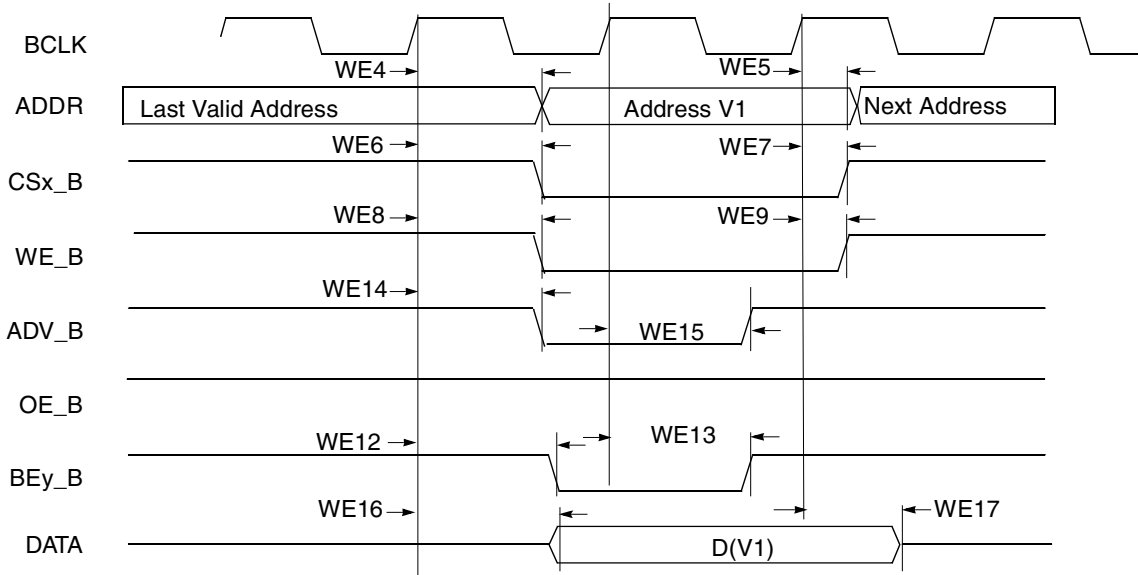


Figure 21. Synchronous Memory, Write Access, WSC=1, WBEA=1, WBEN=1, and WADVN=0

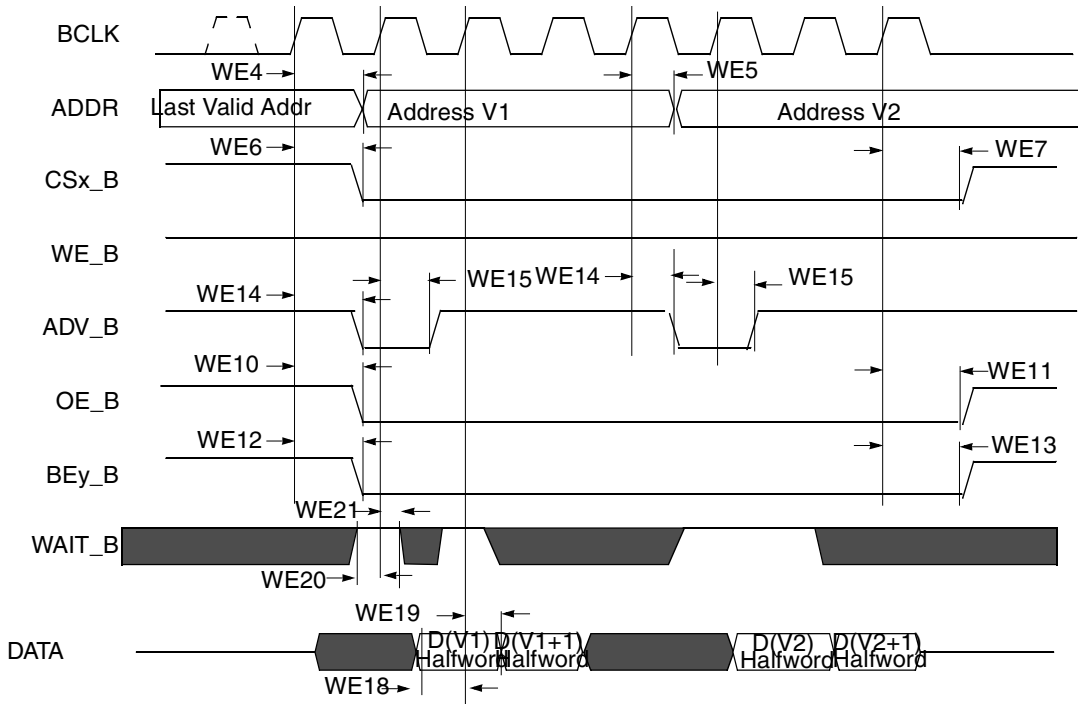


Figure 22. Synchronous 16-Bit Memory, Two Non-Sequential 32-bit Read Accesses, WSC=2, SRD=1, BCD=0

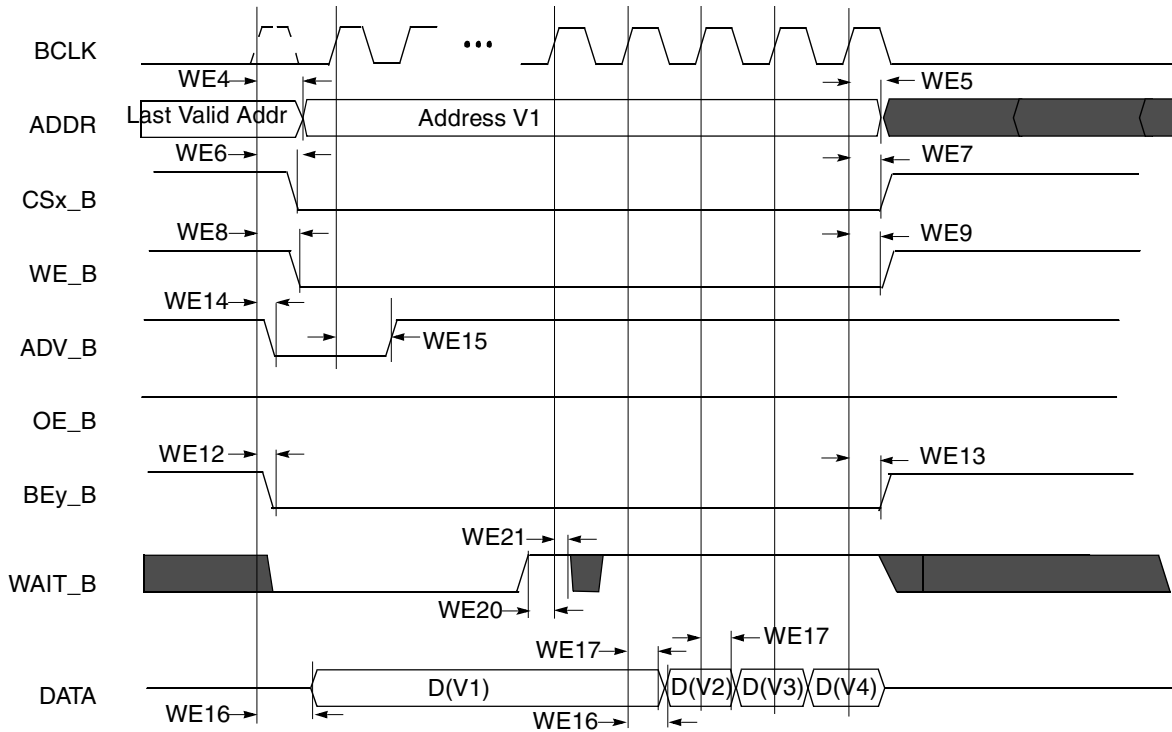


Figure 23. Synchronous Memory, Burst Write, BCS=1, WSC=4, SRD=1, and BCD=0

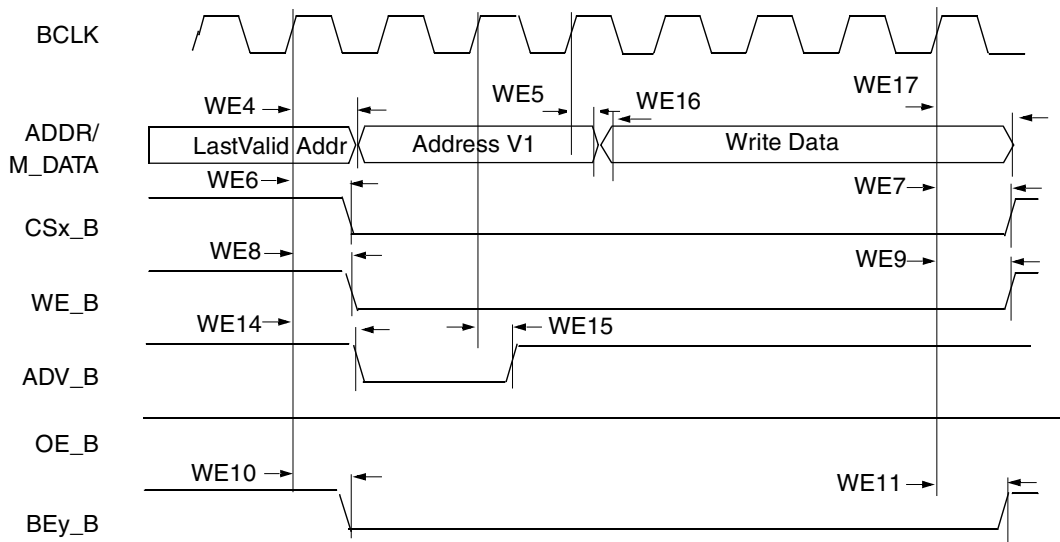


Figure 24. Muxed Address/Data (A/D) Mode, Synchronous Write Access, WSC=6, ADVA=1, ADVN=1, and ADH=1

**NOTE**

In 32-bit muxed address/data (A/D) mode the 16 MSBs are driven on the data bus.

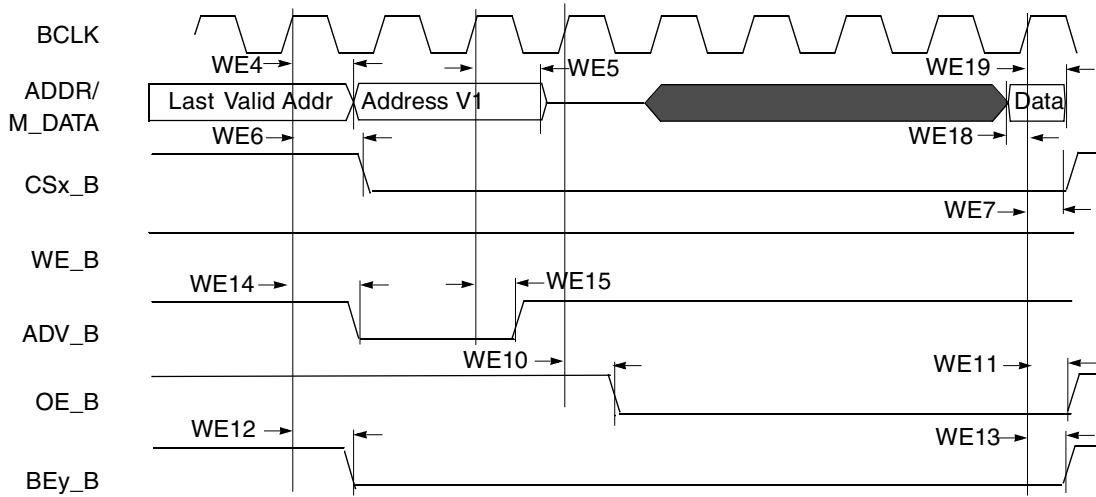


Figure 25. 16-Bit Muxed A/D Mode, Synchronous Read Access, WSC=7, RADVN=1, ADH=1, OEA=2

The Figure 26, Figure 27, Figure 28, and Table 41 help to determine timing parameters relative chip select (CS) state for asynchronous and DTACK WEIM accesses with corresponding WEIM bit fields and the timing parameters mentioned above.

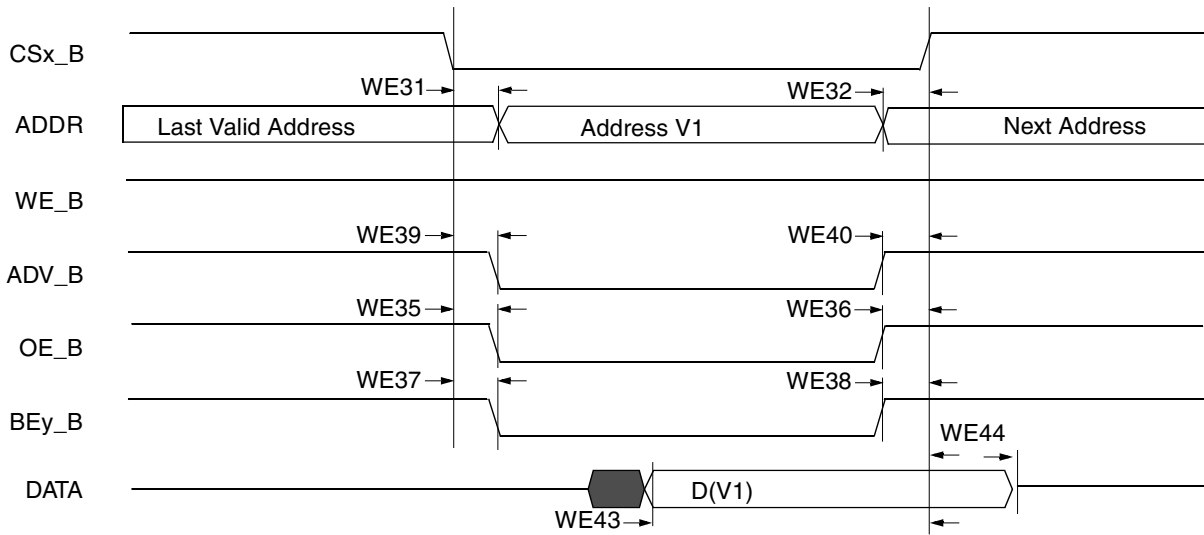


Figure 26. Asynchronous Memory Read Access

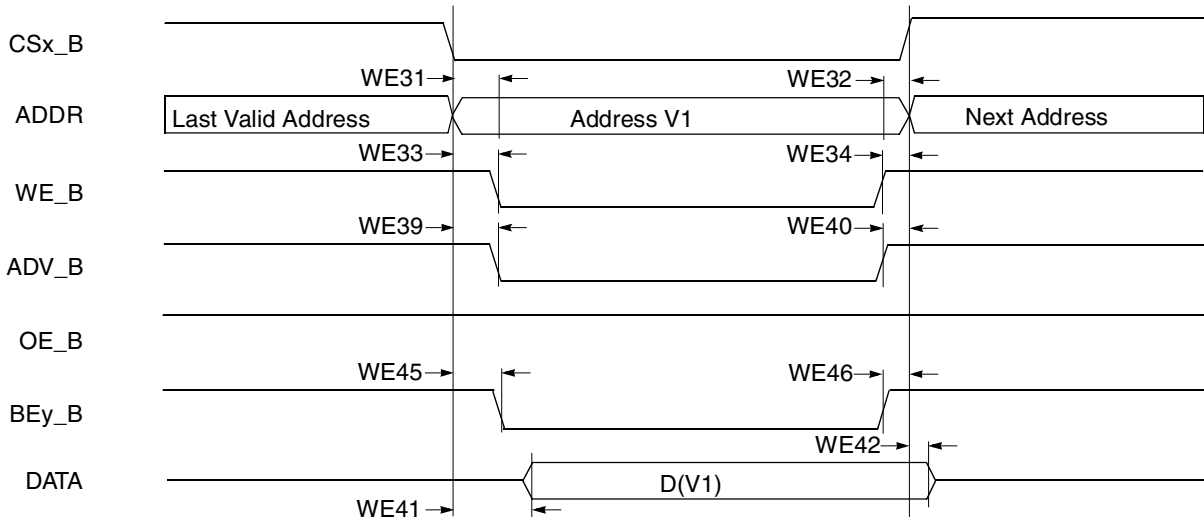


Figure 27. Asynchronous Memory Write Access

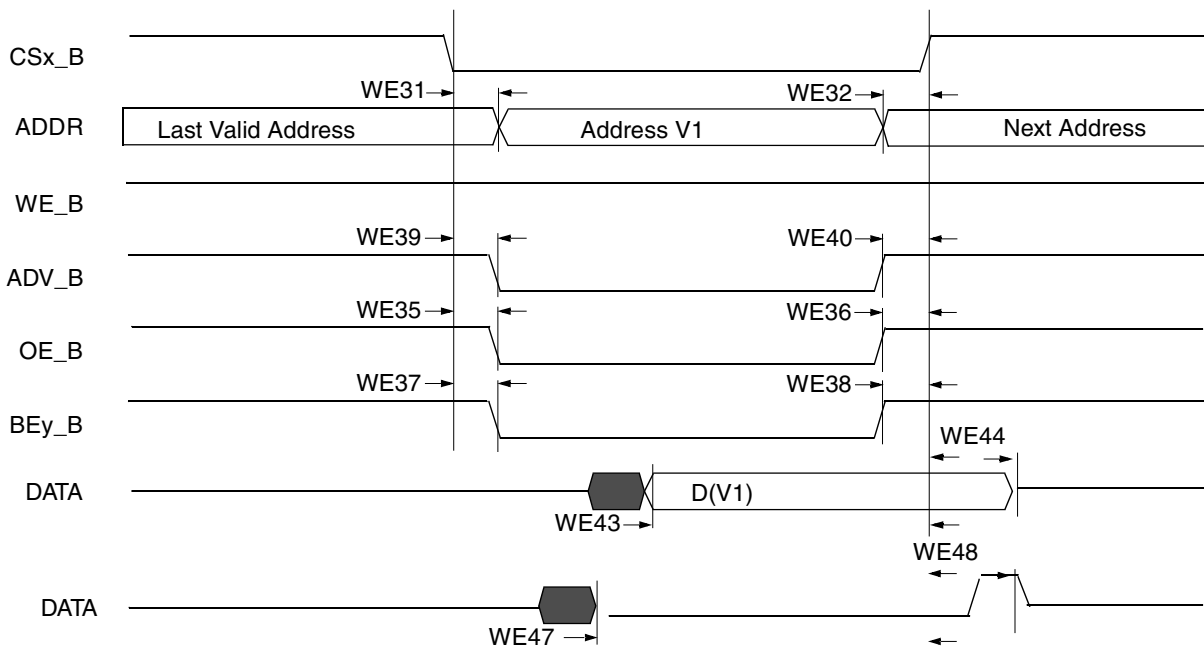


Figure 28. DTACK Read Access

Table 41. WEIM Asynchronous Timing Parameters Table Relative Chip Select

ID	Parameter	Determination by Synchronous Measured Parameters <sup>1</sup>	Min	Max	Unit
WE31	CSx_B valid to Address Valid	WE4 – WE6 – CSA <sup>2</sup>	—	3 – CSA	ns
WE32	Address Invalid to CSx_B invalid	WE7 – WE5 – CSN <sup>3</sup>	—	3 – CSN	ns
WE33	CSx_B Valid to WE_B Valid	WE8 – WE6 + (WEA – CSA)	—	3 + (WEA – CSA)	ns

Table 41. WEIM Asynchronous Timing Parameters Table Relative Chip Select (continued)

ID	Parameter	Determination by Synchronous Measured Parameters <sup>1</sup>	Min	Max	Unit
WE34	WE_B Invalid to CSx_B Invalid	WE7 – WE9 + (WEN – CSN)	—	3 – (WEN_CSN)	ns
WE35	CSx_B Valid to OE_B Valid	WE10 – WE6 + (OEA – CSA)	—	3 + (OEA – CSA)	ns
WE36	OE_B Invalid to CSx_B Invalid	WE7 – WE11 + (OEN – CSN)	—	3 – (OEN – CSN)	ns
WE37	CSx_B Valid to BEy_B Valid (Read access)	WE12 – WE6 + (RBEA – CSA)	—	3 + (RBEA <sup>4</sup> – CSA)	ns
WE38	BEy_B Invalid to CSx_B Invalid (Read access)	WE7 – WE13 + (RBEN – CSN)	—	3 – (RBEN <sup>5</sup> – CSN)	ns
WE39	CSx_B Valid to ADV_B Valid	WE14 – WE6 + (ADV – CSA)	—	3 + (ADVA – CSA)	ns
WE40	ADV_B Invalid to CSx_B Invalid (ADV_L is asserted)	WE7 – WE15 – CSN	—	3 – CSN	ns
WE41	CSx_B Valid to Output Data Valid	WE16 – WE6 – WCSA	—	3 – WCSA	ns
WE42	Output Data Invalid to CSx_B Invalid	WE17 – WE7 – CSN	—	3 – CSN	ns
WE43	Input Data Valid to CSx_B Invalid	MAXCO + MAXDI	MAXCO <sup>6</sup> + MAXDI <sup>7</sup>	—	ns
WE44	CSx_B Invalid to Input Data invalid	0	0	—	ns
WE45	CSx_B Valid to BEy_B Valid (Write access)	WE12 – WE6 + (WBEA – CSA)	—	3 + (WBEA – CSA)	ns
WE46	BEy_B Invalid to CSx_B Invalid (Write access)	WE7 – WE13 + (WBEN – CSN)	—	–3 + (WBEN – CSN)	ns
WE47	Dtack Valid to CSx_B Invalid	MAXCO + MAXDTI	MAXCO <sup>6</sup> + MAXDTI <sup>8</sup>	—	ns
WE48	CSx_B Invalid to Dtack invalid	0	0	—	ns

<sup>1</sup> Parameters WE4... WE21 value see in the [Table 41](#).

<sup>2</sup> CS Assertion. This bit field determines when CS signal is asserted during read/write cycles.

<sup>3</sup> CS Negation. This bit field determines when CS signal is negated during read/write cycles.

<sup>4</sup> BE Assertion. This bit field determines when BE signal is asserted during read cycles.

<sup>5</sup> BE Negation. This bit field determines when BE signal is negated during read cycles.

<sup>6</sup> Output maximum delay from internal driving the FFs to chip outputs. The Max. delay between all memory controls (addr, csx\_b, oe\_b, we\_b, bey\_b, and adv\_b)

<sup>7</sup> Maximum delay from chip input data to internal FFs. The max. delay between all data input pins.

<sup>8</sup> DTACK maximum delay from chip input data to internal FF.

### 3.6.8 SDRAM Controller Timing Parameters

#### 3.6.8.1 Mobile DDR SDRAM Timing Parameters

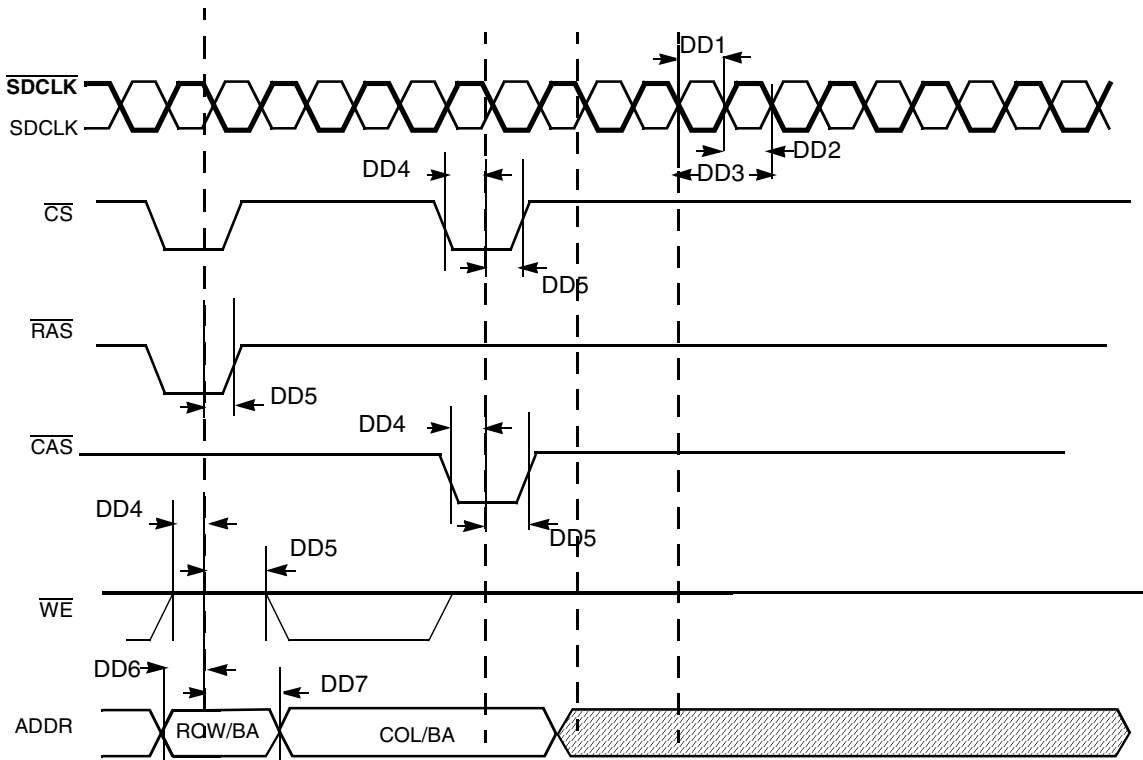


Figure 29. Mobile DDR SDRAM Basic Timing Parameters

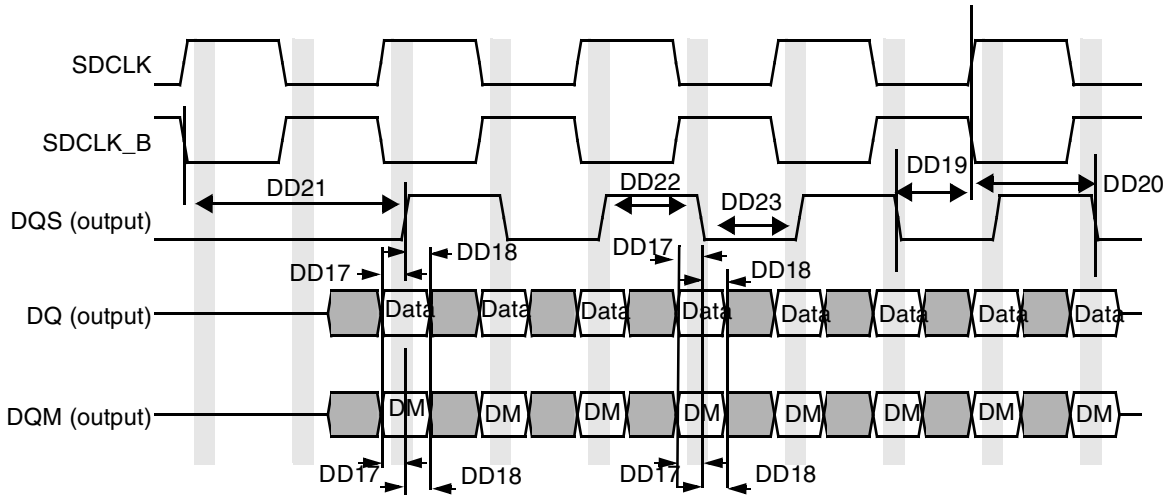
Table 42. Mobile DDR SDRAM Timing Parameter Table

ID	Parameter	Symbol	200 MHz		166 MHz		133 MHz		Unit
			Min	Max	Min	Max	Min	Max	
DD1	SDRAM clock high-level width	t <sub>CH</sub>	0.45	0.55	0.45	0.55	0.45	0.55	t <sub>CK</sub>
DD2	SDRAM clock low-level width	t <sub>CL</sub>	0.45	0.55	0.45	0.55	0.45	0.55	t <sub>CK</sub>
DD3	SDRAM clock cycle time	t <sub>CK</sub>	5	—	6	—	7.5	—	ns
DD4	CS, RAS, CAS, CKE, WE setup time	t <sub>IS</sub> <sup>1</sup>	0.9	—	1.1	—	1.3	—	ns
DD5	CS, RAS, CAS, CKE, WE hold time	t <sub>IH</sub> <sup>1</sup>	0.9	—	1.1	—	1.3	—	ns
DD6	Address output setup time	t <sub>IS</sub> <sup>1</sup>	0.9	—	1.1	—	1.3	—	ns
DD7	Address output hold time	t <sub>IH</sub> <sup>1</sup>	0.9	—	1.1	—	1.3	—	ns

<sup>1</sup> This parameter is affected by pad timing. if the slew rate is < 1 V/ns, 0.2 ns should be added to the value. For cmos65 pads this is true for medium and low drive strengths.



**Electrical Characteristics**



**Figure 30. Mobile DDR SDRAM Write cycle Timing Diagram**

**Table 43. Mobile DDR SDRAM Write Cycle Parameter Table<sup>1</sup>**

ID	Parameter	Symbol	200 MHz <sup>2</sup>		166 MHz		133 MHz		Unit
			Min	Max	Min	Max	Min	Max	
DD17	DQ and DQM setup time to DQS	t <sub>DS</sub> <sup>3</sup>	0.48	—	0.6	—	0.8	—	ns
DD18	DQ and DQM hold time to DQS	t <sub>DH</sub> <sup>1</sup>	0.48	—	0.6	—	0.8	—	ns
DD19	Write cycle DQS falling edge to SDCLK output setup time	t <sub>DSS</sub>	0.2	—	0.2	—	0.2	—	tCK
DD20	Write cycle DQS falling edge to SDCLK output hold time	t <sub>DSH</sub>	0.2	—	0.2	—	0.2	—	tCK
DD21	Write command to first DQS latching transition	t <sub>DQSS</sub>	0.75	1.25	0.75	1.25	0.75	1.25	tCK
DD22	DQS high level width	t <sub>DQSH</sub>	0.4	0.6	0.4	0.6	0.4	0.6	tCK
DD23	DQS low level width	t <sub>DQSL</sub>	0.4	0.6	0.4	0.6	0.4	0.6	tCK

<sup>1</sup> Test conditions are: Capacitance 15 pF for DDR PADS. Recommended drive strengths is medium for SDCLK and high for address and controls

<sup>2</sup> SDRAM CLK and DQS related parameters are being measured from the 50% point. that is, high is defined as 50% of signal value and low is defined as 50% as signal value. DDR SDRAM CLK parameters are measured at the crossing point of SDCLK and  $\overline{\text{SDCLK}}$  (inverted clock).

<sup>3</sup> This parameter is affected by pad timing. If the slew rate is < 1 V/ns, 0.1 ns should be increased to this value.

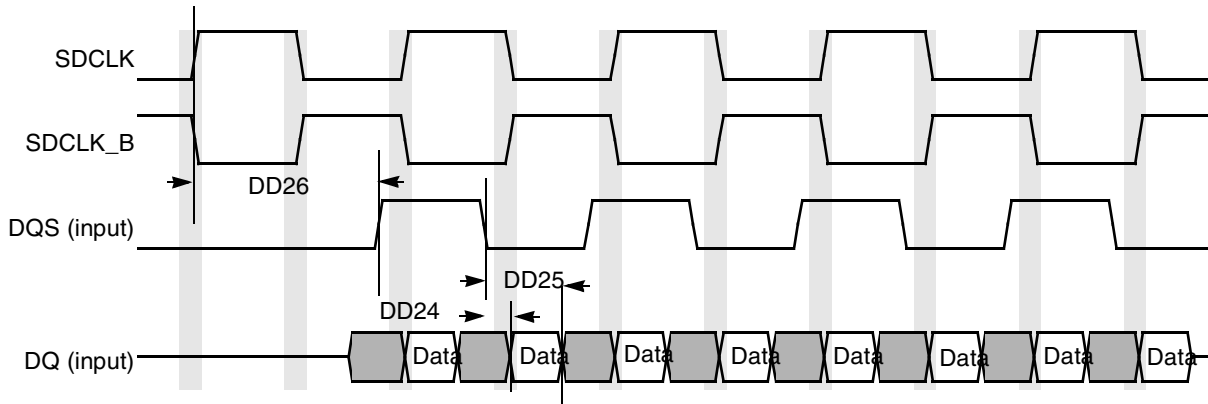


Figure 31. Mobile DDR SDRAM DQ vs. DQS and SDCLK READ Cycle Timing Diagram

Table 44. Mobile DDR SDRAM Read Cycle Parameter Table<sup>1</sup>

ID	PARAMETER	Symbol	200 MHz <sup>2</sup>		166 MHz		133 MHz		Unit
			Min	Max	Min	Max	Min	Max	
DD24	DQS - DQ Skew (defines the Data valid window in read cycles related to DQS)	t <sub>DQSQ</sub>	—	0.4	—	0.75	—	0.85	ns
DD25	DQS DQ in HOLD time from DQS	t <sub>QH</sub>	1.75	—	2.05	—	2.6	—	ns
DD26	DQS output access time from SDCLK posedge	t <sub>DQSCK</sub>	2	5	2	5.5	2	6.5	ns

<sup>1</sup> Test conditions are: Capacitance 15 pF for DDR PADS. Recommended drive strengths is medium for SDCLK and high for address and controls

<sup>2</sup> SDRAM CLK and DQS related parameters are being measured from the 50% point. that is, high is defined as 50% of signal value and low is defined as 50% as signal value. DDR SDRAM CLK parameters are measured at the crossing point of SDCLK and SDCLK (inverted clock)

Because of an order from the United States International Trade Commission, BGA-packaged product lines and part numbers indicated here currently are not available from Freescale for import or sale in the United States prior to September 2010: MCIMX512DVK8C, MCIMX513DVK8C, MCIMX515DVK8C, and MCIMX511DVK8C.

### 3.6.9 DDR2 SDRAM Specific Parameters

Figure 32 shows the timing parameters for DDR2. The timing parameters for this diagram appear in Table 45.

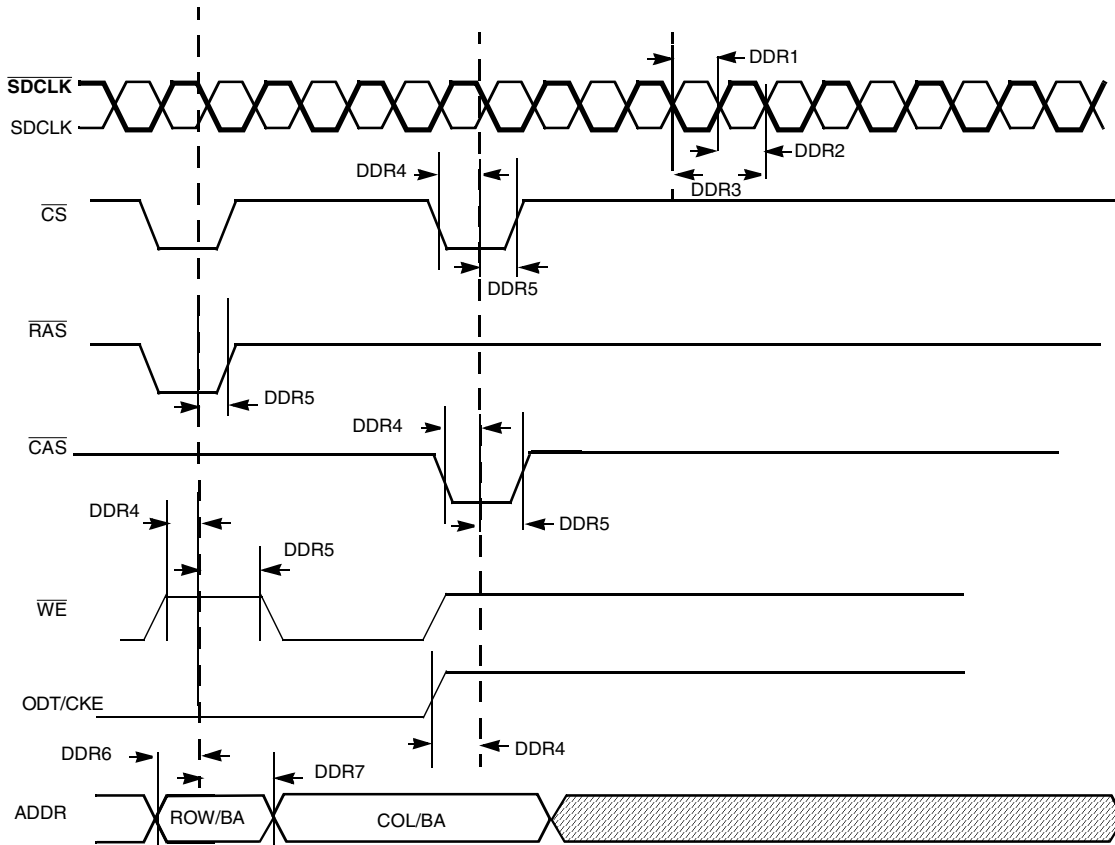


Figure 32. DDR2 SDRAM Basic Timing Parameters

Table 45. DDR2 SDRAM Timing Parameter Table

ID	Parameter	Symbol	SDCLK = 200 MHz		Unit
			Min	Max	
DDR1	SDRAM clock high-level width	tCH	0.45	0.55	tCK
DDR2	SDRAM clock low-level width	tCL	0.45	0.55	tCK
DDR3	SDRAM clock cycle time	tCK	5	—	ns
DDR4	CS, RAS, CAS, CKE, WE, ODT setup time	tIS <sup>1</sup>	0.35	—	ns
DDR5	CS, RAS, CAS, CKE, WE, ODT hold time	tIH <sup>1</sup>	0.475	—	ns

Because of an order from the United States International Trade Commission, BGA-packaged product lines and part numbers indicated here currently are not available from Freescale for import or sale in the United States prior to September 2010: MCIMX512DVK8C, MCIMX513DVK8C, MCIMX515DVK8C, and MCIMX511DVK8C.

Table 45. DDR2 SDRAM Timing Parameter Table (continued)

ID	Parameter	Symbol	SDCLK = 200 MHz		Unit
			Min	Max	
DDR6	Address output setup time	$t_{IS}^1$	0.35	—	ns
DDR7	Address output hold time	$t_{IH}^1$	0.475	—	ns

<sup>1</sup> These values are for command/address slew rates of 1V/ns and SDCLK / SDCLK\_B differential slew rate of 2 V/ns. For different values use the settings shown in Table 46.

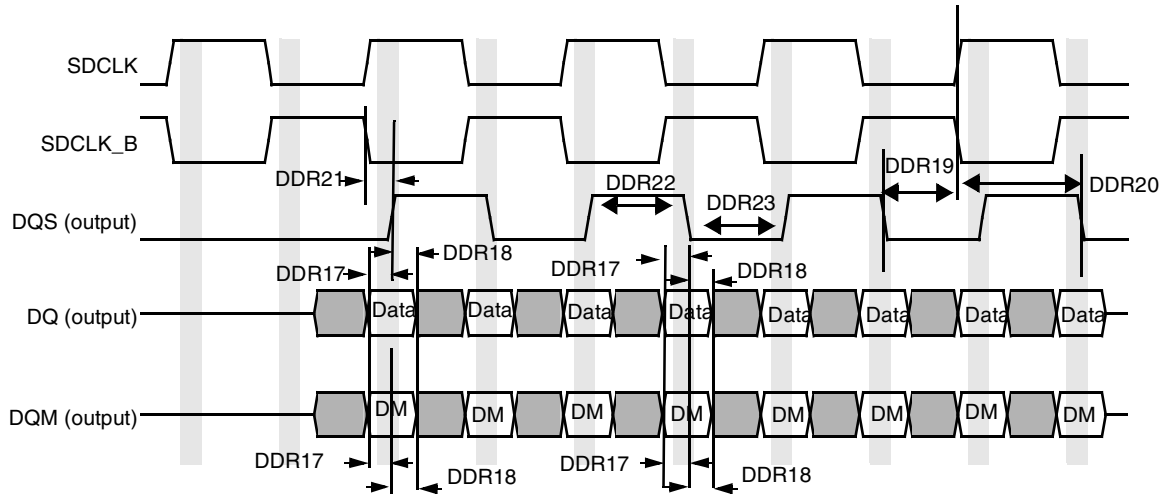
Table 46. Derating Values for DDR2-400 (SDCLK = 200 MHz)

Command / Address Slew Rate (V/ns)	SDCLK Differential Slew Rates <sup>1,2</sup>						Unit
	2.0 V/ns		1.5 V/ns		1.0 V/ns		
	$\Delta t_{IS}$	$\Delta t_{IH}$	$\Delta t_{IS}$	$\Delta t_{IH}$	$\Delta t_{IS}$	$\Delta t_{IH}$	
4.0	+187	+94	+217	+124	+247	+154	ps
3.5	+179	+89	+209	+119	+239	+149	ps
3.0	+167	+83	+197	+113	+227	+143	ps
2.5	+150	+75	+180	+105	+210	+135	ps
2.0	+125	+45	+155	+75	+185	+105	ps
1.5	+83	+21	+113	+51	+143	+81	ps
1.0	+0	+0	+30	+30	+60	+60	ps
0.9	-11	-14	+19	+16	+49	+46	ps
0.8	-25	-31	+5	-1	+35	+29	ps
0.7	-43	-54	-13	-24	+17	+6	ps
0.6	-67	-83	-37	-53	-7	-23	ps
0.5	-110	-125	-80	-95	-50	-65	ps
0.4	-175	-188	-145	-158	-115	-128	ps
0.3	-285	-292	-255	-262	-225	-232	ps
0.25	-350	-375	-320	-345	-290	-315	ps
0.2	-525	-500	-495	-470	-465	-440	ps
0.15	-800	-708	-770	-678	-740	-648	ps
0.1	-1450	-1125	-1420	-1095	-1390	-1065	ps

<sup>1</sup> Test conditions are: Capacitance 15 pF for DDR contacts. Recommended drive strengths: Medium for SDCLK and High for address and controls.

<sup>2</sup> SDCLK and DQS related parameters are measured from the 50% point. For example, a high is defined as 50% of the signal value and a low is defined as 50% of the signal value. DDR SDRAM CLK parameters are measured at the crossing point of SDCLK and SDCLK\_B

## Electrical Characteristics



**Figure 33. DDR2 SDRAM Write Cycle**

**Table 47. DDR2 SDRAM Write Cycle**

ID	PARAMETER	Symbol	SDCLK = 200 MHz		Unit
			Min	Max	
DDR17	DQ and DQM setup time to DQS (differential strobe) <sup>1</sup>	tDS(base)	0.15	—	ns
DDR18	DQ and DQM hold time to DQS (differential strobe) <sup>1</sup>	tDH(base)	0.275	—	ns
DDR17	DQ and DQM setup time to DQS (single-ended strobe) <sup>2</sup>	tDS1(base)	0.025	—	ns
DDR18	DQ and DQM hold time to DQS (single-ended strobe) <sup>2</sup>	tDH1(base)	0.025	—	ns
DDR19	Write cycle DQS falling edge to SDCLK output setup time	tDSS	0.2	—	tCK
DDR20	Write cycle DQS falling edge to SDCLK output hold time	tDSH	0.2	—	tCK
DDR21	DQS latching rising transitions to associated clock edges	tDQSS	-0.25	0.25	tCK
DDR22	DQS high level width	tDQSH	0.35	—	tCK
DDR23	DQS low level width	tDQSL	0.35	—	tCK

<sup>1</sup> These values are for DQ/DM slew rates of 1 V/ns and DQS/DQS\_B differential slew rates of 2 V/ns. For different values use derating table below

<sup>2</sup> These values are for DQ/DM slew rates of 1 V/ns and DQS slew rates of 1 V/ns. For different values use derating table below

**Table 48. Derating values for DDR2 Differential DQS<sup>1,2</sup>**

		$\Delta tDS, \Delta tDH$ derating values for DDR2-400, DDR2-533 (All units in 'ps'; the note applies to the entire table)																	
		DQS, $\overline{DQS}$ Differential Slew Rate																	
		4.0 V/ns		3.0 V/ns		2.0 V/ns		1.8 V/ns		1.6 V/ns		1.4 V/ns		1.2 V/ns		1.0 V/ns		0.8 V/ns	
		$\Delta tD_S$	$\Delta tD_H$	$\Delta tD_S$	$\Delta tD_H$	$\Delta tD_S$	$\Delta tD_H$	$\Delta tD_S$	$\Delta tD_H$	$\Delta tD_S$	$\Delta tD_H$	$\Delta tD_S$	$\Delta tD_H$	$\Delta tD_S$	$\Delta tD_H$	$\Delta tD_S$	$\Delta tD_H$	$\Delta tD_S$	$\Delta tD_H$
DQ Slew rate V/ns	2.0	125	45	125	45	125	45	-	-	-	-	-	-	-	-	-	-	-	
	1.5	83	21	83	21	83	21	95	33	-	-	-	-	-	-	-	-	-	
	1.0	0	0	0	0	0	0	12	12	24	24	-	-	-	-	-	-	-	
	0.9	-	-	-11	-14	-11	-14	1	-2	13	10	25	22	-	-	-	-	-	
	0.8	-	-	-	-	-25	-31	-13	-19	-1	-7	11	5	23	17	-	-	-	
	0.7	-	-	-	-	-	-	-31	-42	-19	-30	-7	-18	5	-6	17	6	-	
	0.6	-	-	-	-	-	-	-	-	-43	-59	-31	-47	-19	-35	-7	-23	5	-11
	0.5	-	-	-	-	-	-	-	-	-	-	-74	-89	-62	-77	-50	-65	-38	-53
	0.4	-	-	-	-	-	-	-	-	-	-	-	-	-127	-140	-115	-128	-103	-116

**Table 49. Derating values for DDR2 Single Ended DQS<sup>3,4</sup>**

		$\Delta tDS1, \Delta tDH1$ derating values for DDR2-400, DDR2-533 (All units in 'ps'; the note applies to the entire table)																	
		DQS Single-ended Slew Rate																	
		2.0 V/ns		1.5 V/ns		1.0 V/ns		0.9 V/ns		0.8 V/ns		0.7 V/ns		0.6 V/ns		0.5 V/ns		0.4 V/ns	
		$\Delta tD_{S1}$	$\Delta tD_{H1}$	$\Delta tD_{S1}$	$\Delta tD_{H1}$	$\Delta tD_{S1}$	$\Delta tD_{H1}$	$\Delta tD_{S1}$	$\Delta tD_{H1}$	$\Delta tD_{S1}$	$\Delta tD_{H1}$	$\Delta tD_{S1}$	$\Delta tD_{H1}$	$\Delta tD_{S1}$	$\Delta tD_{H1}$	$\Delta tD_{S1}$	$\Delta tD_{H1}$	$\Delta tD_{S1}$	$\Delta tD_{H1}$
DQ Slew rate V/ns	2.0	188	188	167	146	125	63	-	-	-	-	-	-	-	-	-	-	-	
	1.5	146	167	125	125	83	42	81	43	-	-	-	-	-	-	-	-	-	
	1.0	63	125	42	83	0	0	-2	1	-7	-13	-	-	-	-	-	-	-	
	0.9	-	-	31	69	-11	-14	-13	-13	-18	-27	-29	-45	-	-	-	-	-	
	0.8	-	-	-	-	-25	-31	-27	-30	-32	-44	-43	-62	-60	-86	-	-	-	
	0.7	-	-	-	-	-	-	-45	-53	-50	-67	-61	-85	-78	-109	-108	-152	-	
	0.6	-	-	-	-	-	-	-	-	-74	-96	-85	-114	-102	-138	-132	-181	-183	-246
	0.5	-	-	-	-	-	-	-	-	-	-	-128	-156	-145	-180	-175	-223	-226	-288
	0.4	-	-	-	-	-	-	-	-	-	-	-	-	-210	-243	-240	-286	-291	-351

1. Test conditions are: Capacitance 15 pF for DDR PADS. Recommended drive strengths is medium for SDCLK and high for address and controls.
2. SDRAM CLK and DQS related parameters are being measured from the 50% point. that is, high is defined as 50% of signal value and low is defined as 50% as signal value. DDR SDRAM CLK parameters are measured at the crossing point of SDCLK and  $\overline{SDCLK}$  (inverted clock).
3. Test conditions are: Capacitance 15 pF for DDR PADS. Recommended drive strengths is medium for SDCLK and high for address and controls.
4. SDRAM CLK and DQS related parameters are being measured from the 50% point. that is, high is defined as 50% of signal value and low is defined as 50% as signal value. DDR SDRAM CLK parameters are measured at the crossing point of SDCLK and  $\overline{SDCLK}$  (inverted clock).

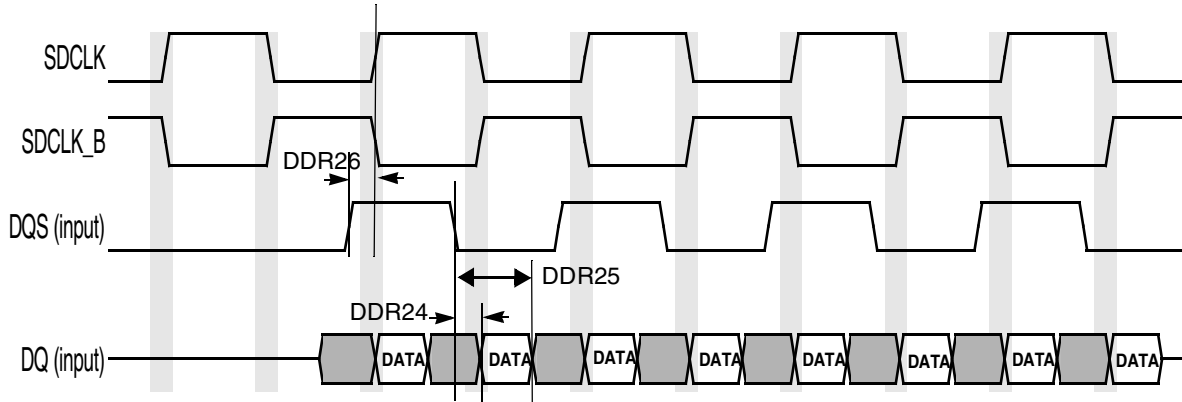


Figure 34. DDR2 SDRAM DQ vs. DQS and SDCLK READ Cycle

Table 50. DDR2 SDRAM Read Cycle<sup>1</sup>

ID	Parameter	Symbol	SDCLK = 200 MHz <sup>2</sup>		Unit
			Min	Max	
DDR24	DQS - DQ Skew (defines the Data valid window in read cycles related to DQS).	tDQSQ	—	0.35	ns
DDR25	DQS DQ in HOLD time from DQS	tQH	1.8	—	ns
DDR26	DQS output access time from SDCLK posedge	tDQSCK	-0.5	0.5	ns

<sup>1</sup> Test conditions are: Capacitance of 15 pF for DDR contacts. The recommended drive strength is Medium for SDCLK and High for address and controls

<sup>2</sup> SDCLK and DQS related parameters are being measured from the 50% point. that is, high is defined as 50% of signal value and low is defined as 50% as signal value. DDR SDRAM CLK parameters are measured at the crossing point of SDCLK and SDCLK\_B.

## 3.7 External Peripheral Interfaces

### 3.7.1 CSPI Timing Parameters

This section describes the timing parameters of the CSPI. The CSPI has separate timing parameters for master and slave modes. The nomenclature used with the CSPI modules and the respective routing of these signals is shown in [Table 51 on page 61](#).



Table 51. CSPI Nomenclature and Routing

Module	I/O Access
eCSPI1	CSPI1 <sup>1</sup> , USBH1, and DI1 via IOMUX
eCSPI2	NANDF and USBH1 via IOMUX
CSPI	NANDF, USBH1, SD1, SD2, and GPIO via IOMUX

<sup>1</sup> This set of BGA contacts is labeled CSPI, but is actually an eCSPI channel

### 3.7.1.1 CSPI Master Mode Timing

Figure 35 depicts the timing of CSPI in Master mode and Table 52 lists the CSPI Master Mode timing characteristics.

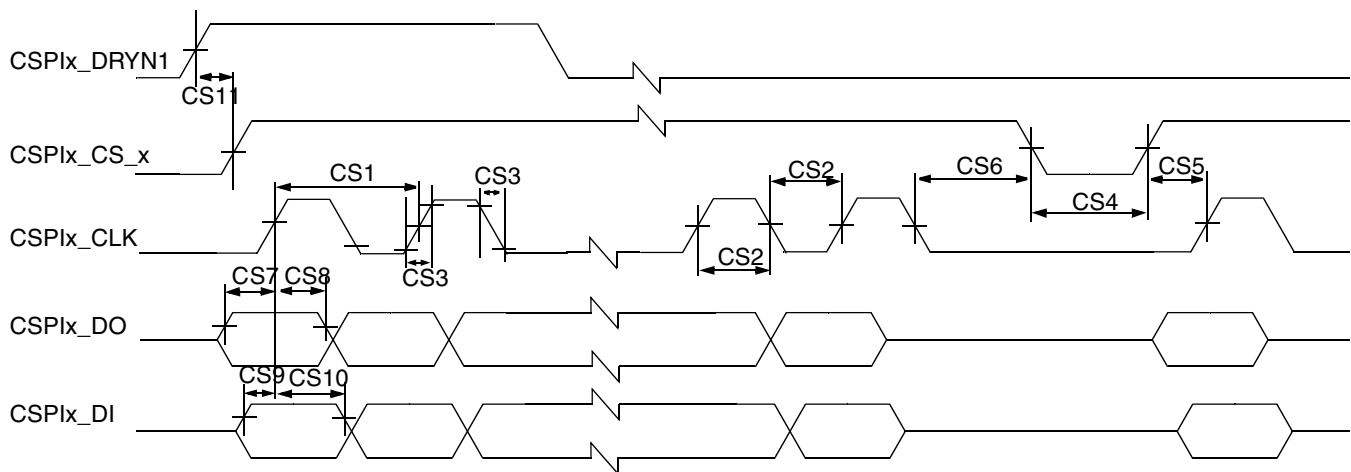


Figure 35. CSPI Master Mode Timing Diagram

Table 52. CSPI Master Mode Timing Parameters

ID	Parameter	Symbol	Min	Max	Unit
CS1	CSPIx_CLK Cycle Time	$t_{clk}$	60	—	ns
CS2	CSPIx_CLK High or Low Time	$t_{sw}$	6	—	ns
CS3	CSPIx_CLK Rise or Fall	$t_{RISE/FALL}$	—	—	ns
CS4	CSPIx_CS_x pulse width	$t_{CSLH}$	15	—	ns
CS5	CSPIx_CS_x Lead Time (CS setup time)	$t_{SCS}$	5	—	ns
CS6	CSPIx_CS_x Lag Time (CS hold time)	$t_{HCS}$	5	—	ns
CS7	CSPIx_DO Setup Time	$t_{Smosi}$	5	—	ns
CS8	CSPIx_DO Hold Time	$t_{Hmosi}$	5	—	ns
CS9	CSPIx_DI Setup Time	$t_{Smiso}$	5	—	ns

Table 52. CSPI Master Mode Timing Parameters (continued)

ID	Parameter	Symbol	Min	Max	Unit
CS10	CSPIx_DI Hold Time	$t_{Hmiso}$	5	—	ns
CS11	CSPIx_DRYN Setup Time	$t_{SDRY}$	5	—	ns

### 3.7.1.2 CSPI Slave Mode Timing

Figure 36 depicts the timing of CSPI in Slave mode. Table 53 lists the CSPI Slave Mode timing characteristics.

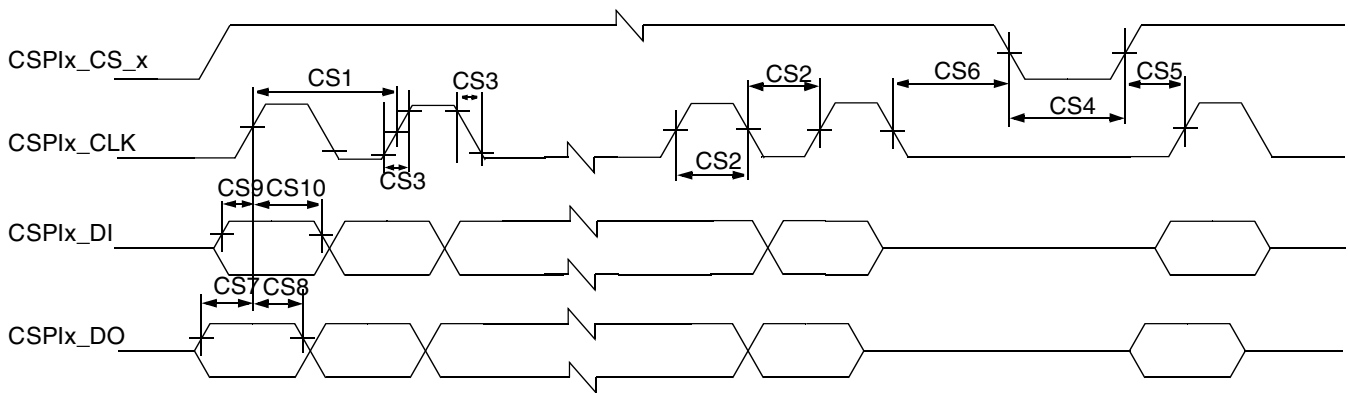


Figure 36. CSPI Slave Mode Timing Diagram

Table 53. CSPI Slave Mode Timing Parameters

ID	Parameter	Symbol	Min	Max	Unit
CS1	CSPIx_CLK Cycle Time	$t_{clk}$	60	—	ns
CS2	CSPIx_CLK High or Low Time	$t_{sw}$	15	—	ns
CS3	CSPIx_CLK Rise or Fall	$t_{RISE/FALL}$	—	—	ns
CS4	CSPIx_CS_x pulse width	$t_{CSLH}$	30	—	ns
CS5	CSPIx_CS_x Lead Time (CS setup time)	$t_{SCS}$	5	—	ns
CS6	CSPIx_CS_x Lag Time (CS hold time)	$t_{HCS}$	5	—	ns
CS7	CSPIx_DO Setup Time	$t_{Smosi}$	5	—	ns
CS8	CSPIx_DO Hold Time	$t_{Hmosi}$	5	—	ns
CS9	CSPIx_DI Setup Time	$t_{Smiso}$	5	—	ns
CS10	CSPIx_DI Hold Time	$t_{Hmiso}$	5	—	ns

### 3.7.2 eCSPI Timing Parameters

This section describes the timing parameters of the eCSPI. The eCSPI has separate timing parameters for master and slave modes. The nomenclature used with the CSPI modules and the respective routing of these signals is shown in [Table 51 on page 61](#).

#### 3.7.2.1 eCSPI Master Mode Timing

[Figure 35](#) depicts the timing of eCSPI in Master mode and [Table 52](#) lists the eCSPI Master Mode timing characteristics.

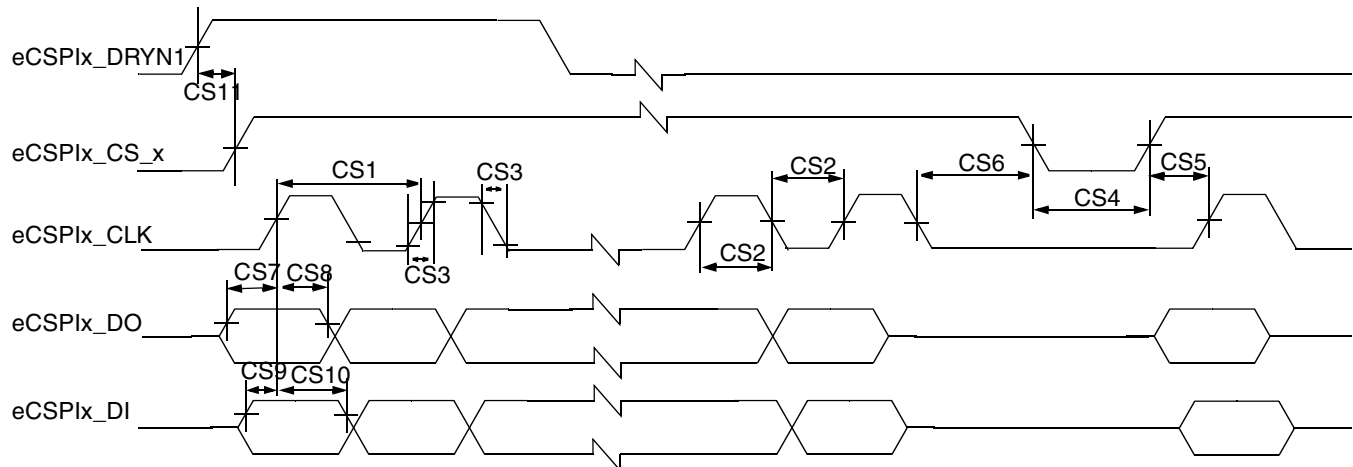


Figure 37. eCSPI Master Mode Timing Diagram

Table 54. eCSPI Master Mode Timing Parameters

ID	Parameter	Symbol	Min	Max	Unit
CS1	eCSPIx_CLK Cycle Time–Read eCSPIx_CLK Cycle Time–Write	$t_{clk}$	60 15	—	ns
CS2	eCSPIx_CLK High or Low Time	$t_{SW}$	6	—	ns
CS3	eCSPIx_CLK Rise or Fall	$t_{RISE/FALL}$	—	—	ns
CS4	eCSPIx_CS_x pulse width	$t_{CSLH}$	15	—	ns
CS5	eCSPIx_CS_x Lead Time (CS setup time)	$t_{SCS}$	5	—	ns
CS6	eCSPIx_CS_x Lag Time (CS hold time)	$t_{HCS}$	5	—	ns
CS7	eCSPIx_DO Setup Time	$t_{Smosi}$	5	—	ns
CS8	eCSPIx_DO Hold Time	$t_{Hmosi}$	5	—	ns
CS9	eCSPIx_DI Setup Time	$t_{Smiso}$	5	—	ns
CS10	eCSPIx_DI Hold Time	$t_{Hmiso}$	5	—	ns
CS11	eCSPIx_DRYN Setup Time	$t_{SDRY}$	5	—	ns

### 3.7.2.2 eCSPI Slave Mode Timing

Figure 37 depicts the timing of eCSPI in Slave mode and Table 54 lists the eCSPI Slave Mode timing characteristics.

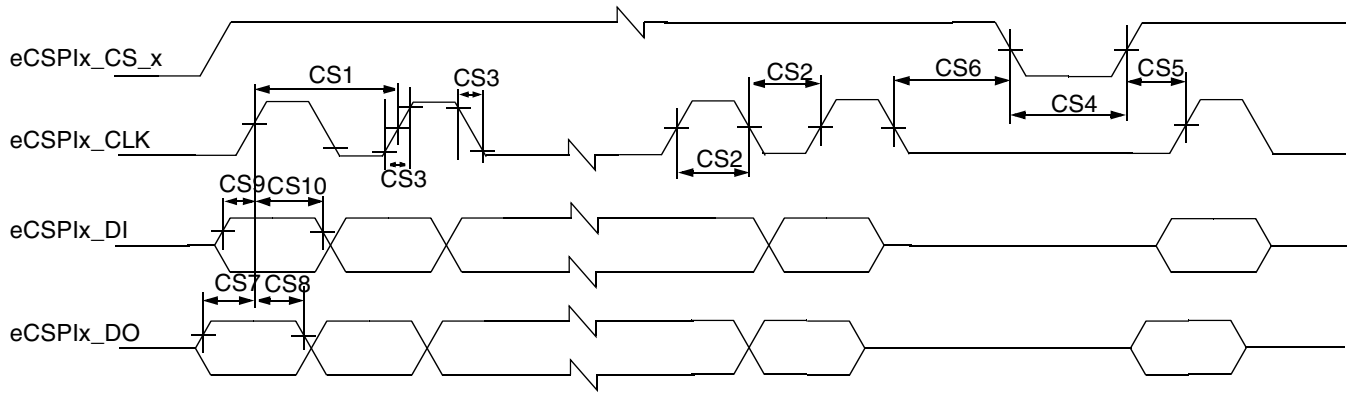


Figure 38. eCSPI Slave Mode Timing Diagram

Table 55. eCSPI Slave Mode Timing Parameters

ID	Parameter	Symbol	Min	Max	Unit
CS1	eCSPIx_CLK Cycle Time—Read eCSPIx_CLK Cycle Time—Write	$t_{clk}$	60 15	—	ns
CS2	eCSPIx_CLK High or Low Time	$t_{SW}$	6	—	ns
CS3	eCSPIx_CLK Rise or Fall	$t_{RISE/FALL}$	—	—	ns
CS4	eCSPIx_CS_x pulse width	$t_{CSLH}$	15	—	ns
CS5	eCSPIx_CS_x Lead Time (CS setup time)	$t_{SCS}$	5	—	ns
CS6	eCSPIx_CS_x Lag Time (CS hold time)	$t_{HCS}$	5	—	ns
CS7	eCSPIx_DO Setup Time	$t_{Smosi}$	5	—	ns
CS8	eCSPIx_DO Hold Time	$t_{Hmosi}$	5	—	ns
CS9	eCSPIx_DI Setup Time	$t_{Smiso}$	5	—	ns
CS10	eCSPIx_DI Hold Time	$t_{Hmiso}$	5	—	ns

### 3.7.3 eSDHCv2 Timing Parameters

This section describes the electrical information of the eSDHCv2.

Figure 39 depicts the timing of eSDHCv2, and Table 56 lists the eSDHCv2 timing characteristics.

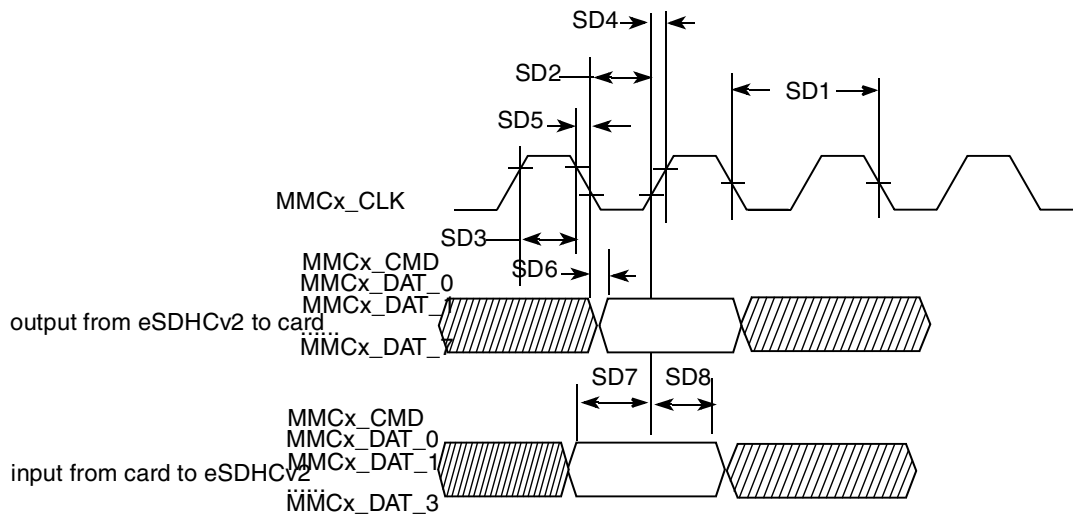


Figure 39. eSDHCv2 Timing

Table 56. eSDHCv2 Interface Timing Specification

ID	Parameter	Symbols	Min	Max	Unit
<b>Card Input Clock</b>					
SD1	Clock Frequency (Low Speed)	$f_{PP}^1$	0	400	kHz
	Clock Frequency (SD/SDIO Full Speed/High Speed)	$f_{PP}^2$	0	25/50	MHz
	Clock Frequency (MMC Full Speed/High Speed)	$f_{PP}^3$	0	20/52	MHz
	Clock Frequency (Identification Mode)	$f_{OD}$	100	400	kHz
SD2	Clock Low Time	$t_{WL}$	7	—	ns
SD3	Clock High Time	$t_{WH}$	7	—	ns
SD4	Clock Rise Time	$t_{TLH}$	—	3	ns
SD5	Clock Fall Time	$t_{THL}$	—	3	ns
<b>eSDHC Output / Card Inputs CMD, DAT (Reference to CLK)</b>					
SD6	eSDHC Output Delay	$t_{OD}$	-3	3	ns
<b>eSDHC Input / Card Outputs CMD, DAT (Reference to CLK)</b>					

Table 56. eSDHCv2 Interface Timing Specification (continued)

ID	Parameter	Symbols	Min	Max	Unit
SD7	eSDHC Input Setup Time	$t_{ISU}$	2.5	—	ns
SD8	eSDHC Input Hold Time	$t_{IH}^4$	2.5	—	ns

<sup>1</sup> In low speed mode, card clock must be lower than 400 kHz, voltage ranges from 2.7 to 3.6 V.

<sup>2</sup> In normal speed mode for SD/SDIO card, clock frequency can be any value between 0–25 MHz. In high-speed mode, clock frequency can be any value between 0–50 MHz.

<sup>3</sup> In normal speed mode for MMC card, clock frequency can be any value between 0–20 MHz. In high-speed mode, clock frequency can be any value between 0–52 MHz.

<sup>4</sup> To satisfy hold timing, the delay difference between clock input and cmd/data input must not exceed 2 ns.

### 3.7.4 FEC AC Timing Parameters

This section describes the electrical information of the Fast Ethernet Controller (FEC) module. The FEC is designed to support both 10 and 100 Mbps Ethernet/IEEE 802.3 networks. An external transceiver interface and transceiver function are required to complete the interface to the media. The FEC supports the 10/100 Mbps MII (18 pins in total) and the 10 Mbps-only 7-wire interface, which uses 7 of the MII pins, for connection to an external Ethernet transceiver. For the pin list of MII and 7-wire, refer to the i.MX51 Reference Manual.

This section describes the AC timing specifications of the FEC. The MII signals are compatible with transceivers operating at a voltage of 3.3 V.

#### 3.7.4.1 MII Receive Signal Timing

The MII receive signal timing involves the FEC\_RXD[3:0], FEC\_RX\_DV, FEC\_RX\_ER, and FEC\_RX\_CLK signals. The receiver functions correctly up to a FEC\_RX\_CLK maximum frequency of 25 MHz + 1%. There is no minimum frequency requirement but the processor clock frequency must exceed twice the FEC\_RX\_CLK frequency. Table 57 lists the MII receive channel signal timing parameters and Figure 40 shows MII receive signal timings.

Table 57. MII Receive Signal Timing

Num	Characteristic <sup>1</sup>	Min	Max	Unit
M1	FEC_RXD[3:0], FEC_RX_DV, FEC_RX_ER to FEC_RX_CLK setup	5	—	ns
M2	FEC_RX_CLK to FEC_RXD[3:0], FEC_RX_DV, FEC_RX_ER hold	5	—	ns
M3	FEC_RX_CLK pulse width high	35%	65%	FEC_RX_CLK period
M4	FEC_RX_CLK pulse width low	35%	65%	FEC_RX_CLK period

<sup>1</sup> FEC\_RX\_DV, FEC\_RX\_CLK, and FEC\_RXD0 have same timing in 10 Mbps 7-wire interface mode.

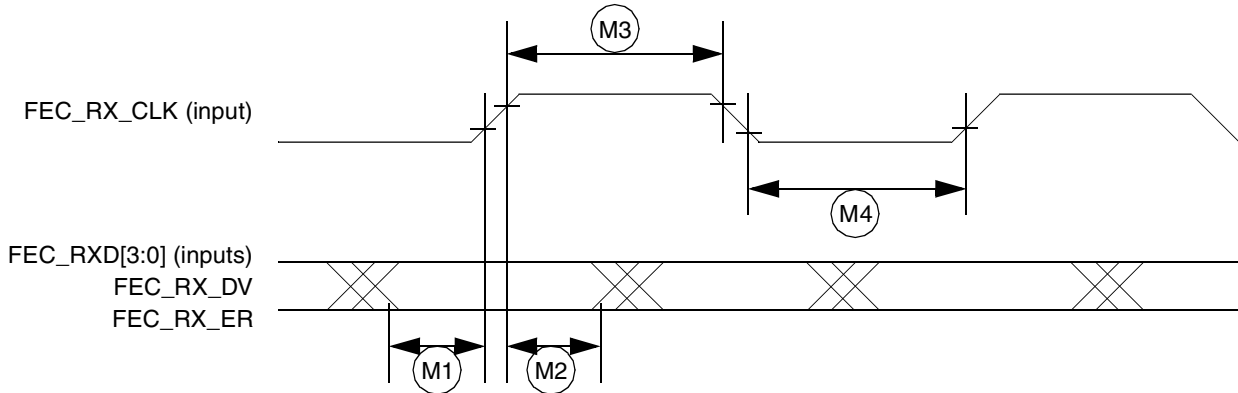


Figure 40. MII Receive Signal Timing Diagram

### 3.7.4.2 MII Transmit Signal Timing

The MII transmit signal timing affects the FEC\_TXD[3:0], FEC\_TX\_EN, FEC\_TX\_ER, and FEC\_TX\_CLK signals. The transmitter functions correctly up to a FEC\_TX\_CLK maximum frequency of 25 MHz + 1%. There is no minimum frequency requirement. In addition, the processor clock frequency must exceed twice the FEC\_TX\_CLK frequency. Table 58 lists MII transmit channel timing parameters and Figure 41 shows MII transmit signal timing diagram for the values listed in Table 58.

Table 58. MII Transmit Signal Timing

Num	Characteristic <sup>1</sup>	Min	Max	Unit
M5	FEC_TX_CLK to FEC_TXD[3:0], FEC_TX_EN, FEC_TX_ER invalid	5	—	ns
M6	FEC_TX_CLK to FEC_TXD[3:0], FEC_TX_EN, FEC_TX_ER valid	—	20	ns
M7	FEC_TX_CLK pulse width high	35%	65%	FEC_TX_CLK period
M8	FEC_TX_CLK pulse width low	35%	65%	FEC_TX_CLK period

<sup>1</sup> FEC\_TX\_EN, FEC\_TX\_CLK, and FEC\_TXD0 have the same timing in 10 Mbps 7-wire interface mode.

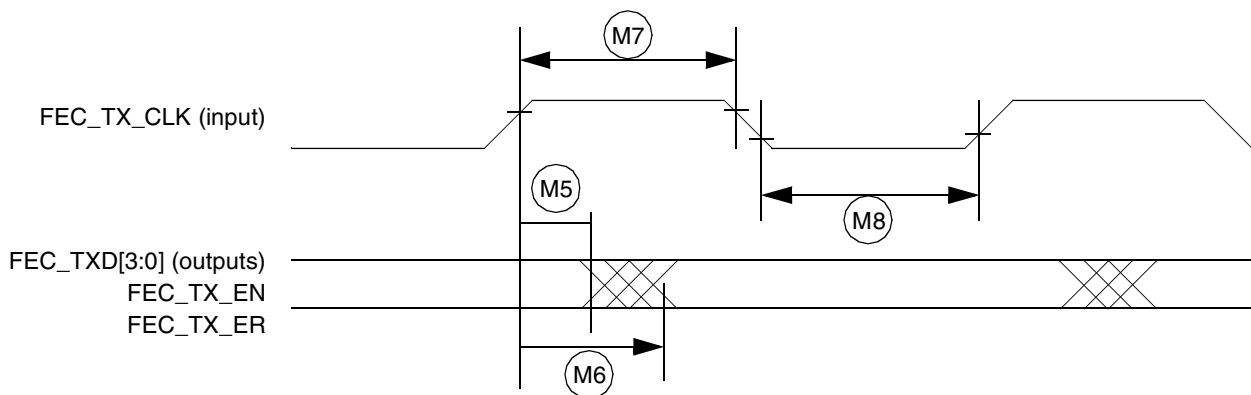


Figure 41. MII Transmit Signal Timing Diagram

### 3.7.4.3 MII Async Inputs Signal Timing (FEC\_CRS and FEC\_COL)

Table 59 lists MII asynchronous inputs signal timing information. Figure 42 shows MII asynchronous input timings listed in Table 59.

Table 59. MII Async Inputs Signal Timing

Num	Characteristic	Min	Max	Unit
M9 <sup>1</sup>	FEC_CRS to FEC_COL minimum pulse width	1.5	—	FEC_TX_CLK period

<sup>1</sup> FEC\_COL has the same timing in 10 Mbit 7-wire interface mode.

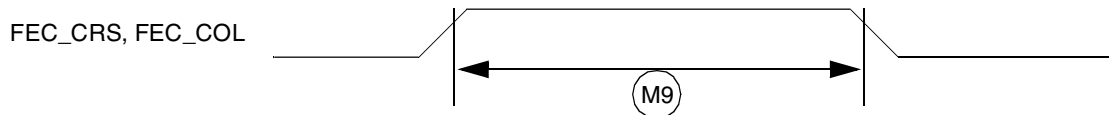


Figure 42. MII Async Inputs Timing Diagram

### 3.7.4.4 MII Serial Management Channel Timing (FEC\_MDIO and FEC\_MDC)

Table 60 lists MII serial management channel timings. Figure 43 shows MII serial management channel timings listed in Table 60. The MDC frequency should be equal to or less than 2.5 MHz to be compliant with the IEEE 802.3 MII specification. However the FEC can function correctly with a maximum MDC frequency of 15 MHz.

Table 60. MII Transmit Signal Timing

ID	Characteristic	Min	Max	Unit
M10	FEC_MDC falling edge to FEC_MDIO output invalid (minimum propagation delay)	0	—	ns
M11	FEC_MDC falling edge to FEC_MDIO output valid (max propagation delay)	—	5	ns
M12	FEC_MDIO (input) to FEC_MDC rising edge setup	18	—	ns
M13	FEC_MDIO (input) to FEC_MDC rising edge hold	0	—	ns
M14	FEC_MDC pulse width high	40%	60%	FEC_MDC period
M15	FEC_MDC pulse width low	40%	60%	FEC_MDC period



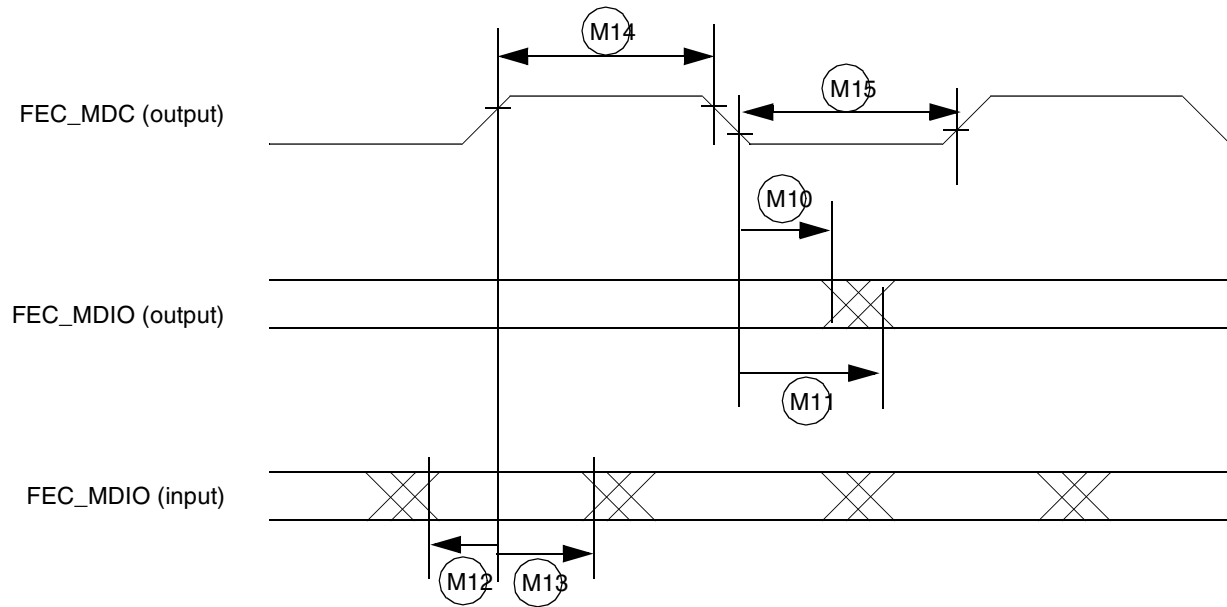


Figure 43. MII Serial Management Channel Timing Diagram

### 3.7.5 Frequency Pre-Multiplier (FPM) Electrical Parameters (CKIL)

The FPM is a DPLL that converts a signal operating in the kilohertz region into a clock signal operating in the megahertz region. The output of the FPM provides the reference frequency for the on-chip DPLLs. Parameters of the FPM are listed in [Table 61](#).

Table 61. FPM Specifications

Parameter	Min	Typ	Max	Unit
Reference clock frequency range—CKIL	32	32.768	256	kHz
FPM output clock frequency range	8	—	33	MHz
FPM multiplication factor (test condition is changed by a factor of 2)	128	—	1024	—
Lock-in time <sup>1</sup>	—	—	312.5	μs
Cycle-to-cycle frequency jitter (peak to peak)	—	8	20	ns

<sup>1</sup> plrf = 1 cycle assumed missed + x cycles for reset deassert + y cycles for calibration and lock x[ts] = {2,3,5,9}; y[ts] = {7,8,10,14}; where ts is the chosen time scale of the reference clock. In this case reference clock = 32 kHz which makes ts = 0, therefore total time required for achieving lock is 10(1+2+7) cycles or 312.5 μs.

### 3.7.6 High-Speed I<sup>2</sup>C (HS-I<sup>2</sup>C) Timing Parameters

This section describes the timing parameters of the HS-I<sup>2</sup>C module. This module can operate in the following modes: Standard, Fast and High speed.

#### NOTE

See the errata for the HS-I<sup>2</sup>C module in the i.MX51 Chip Errata. There are two standard I<sup>2</sup>C modules that have no errata.

### 3.7.6.1 Standard and Fast Mode Timing Parameters

Figure 44 depicts the standard and fast mode timings of HS-I<sup>2</sup>C module, and Table 62 lists the timing characteristics.

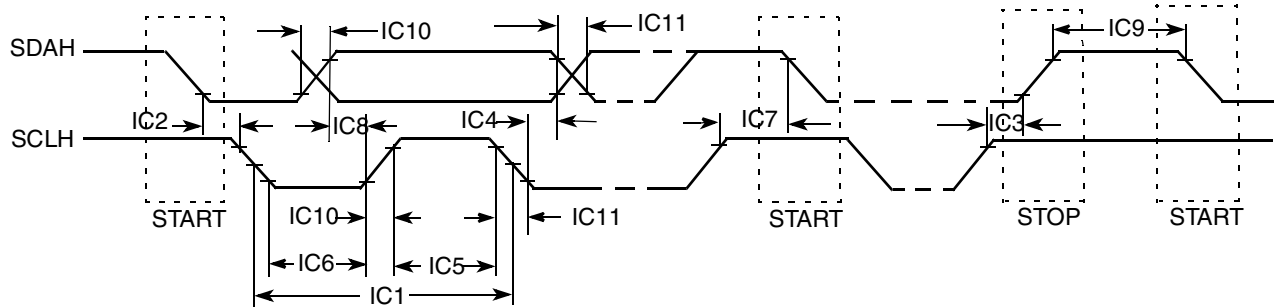


Figure 44. HS-I<sup>2</sup>C Standard and Fast Mode Bus Timing

Table 62. HS-I<sup>2</sup>C Timing Parameters—Standard and Fast Mode

ID	Parameter	Standard Mode		Fast Mode		Unit
		Min	Max	Min	Max	
IC1	SCLH cycle time	10	—	2.5	—	μs
IC2	Hold time (repeated) START condition	4.0	—	0.6	—	μs
IC3	Set-up time for STOP condition	4.0	—	0.6	—	μs
IC4	Data hold time	0 <sup>1</sup>	3.45 <sup>2</sup>	0 <sup>1</sup>	0.9 <sup>2</sup>	μs
IC5	HIGH Period of SCLH Clock	4.0	—	0.6	—	μs
IC6	LOW Period of the SCLH Clock	4.7	—	1.3	—	μs
IC7	Set-up time for a repeated START condition	4.7	—	0.6	—	μs
IC8	Data set-up time	250	—	100 <sup>3</sup>	—	ns
IC9	Bus free time between a STOP and START condition	4.7	—	1.3	—	μs
IC10	Rise time of both SDAH and SCLH signals	—	1000	20+0.1C <sub>b</sub> <sup>4</sup>	300	ns
IC11	Fall time of both SDAH and SCLH signals	—	300	20+0.1C <sub>b</sub> <sup>4</sup>	300	ns
IC12	Capacitive load for each bus line (C <sub>b</sub> )	—	100	—	100	pF

<sup>1</sup> A device must internally provide a hold time of at least 300 ns for SDAH signal in order to bridge the undefined region of the falling edge of SCLH.

<sup>2</sup> The maximum hold time has only to be met if the device does not stretch the LOW period (ID no IC6) of the SCLH signal

<sup>3</sup> A Fast-mode I<sup>2</sup>C-bus device can be used in a Standard-mode I<sup>2</sup>C-bus system, but the requirement of Set-up time (ID No IC8) of 250 ns must then be met. This automatically is the case if the device does not stretch the LOW period of the SCLH signal.

If such a device does stretch the LOW period of the SCLH signal, it must output the next data bit to the SDAH line max\_rise\_time (ID No IC10) + data\_setup\_time (ID No IC8) = 1000 + 250 = 1250 ns (according to the Standard-mode I<sup>2</sup>C-bus specification) before the SCLH line is released.

<sup>4</sup> C<sub>b</sub> = total capacitance of one bus line in pF.

### 3.7.6.2 High-Speed Mode Timing Parameters

Figure 45 depicts the high-speed mode timings of HS-I<sup>2</sup>C module, and Table 63 lists the timing characteristics.

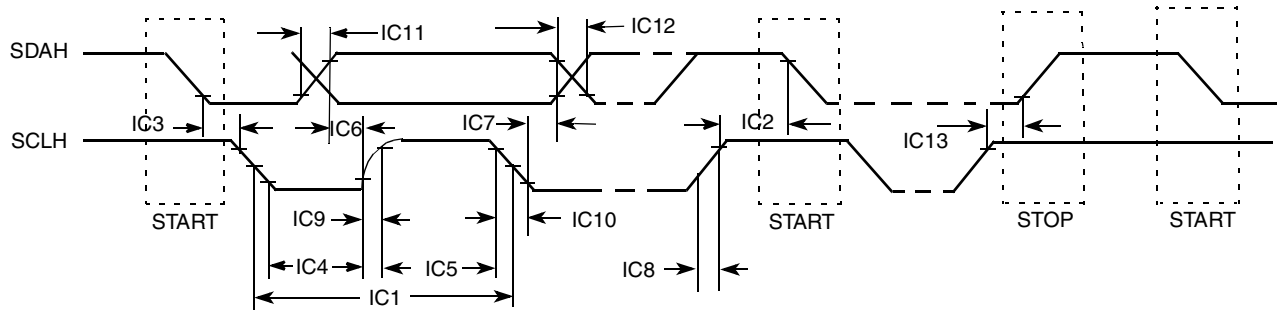


Figure 45. High-Speed Mode Timing

Table 63. HS-I<sup>2</sup>C High-Speed Mode Timing Parameters

ID	Parameter	High-Speed Mode		Unit
		Min	Max	
IC1	SCLH cycle time	10	3.4	MHz
IC2	Setup time (repeated) START condition	160	—	ns
IC3	Hold time (repeated) START condition	160	—	ns
IC4	LOW Period of the SCLH Clock	160	—	ns
IC5	HIGH Period of SCLH Clock	60	—	ns
IC6	Data set-up time	10	—	ns
IC7	Data hold time	0 <sup>1</sup>	70	ns
IC8	Rise time of SCLH	10	40	ns
IC9	Rise time of SCLH signal after a repeated START condition and after an acknowledge bit	10	80	ns
IC10	Fall time of SCLH signal	10	40	ns
IC11	Rise time of SDAH signal	10	80	ns
IC12	Fall time of SDAH signal	10	80	ns
IC13	Set-up time for STOP condition	160	—	ns
IC14	Capacitive load for each bus line (C <sub>b</sub> )	—	100	pF

<sup>1</sup> A device must internally provide a hold time of at least 300 ns for SDAH signal in order to bridge the undefined region of the falling edge of SCLH.

### 3.7.7 I<sup>2</sup>C Module Timing Parameters

This section describes the timing parameters of the I<sup>2</sup>C Module. Figure 46 depicts the timing of I<sup>2</sup>C module, and Table 64 lists the I<sup>2</sup>C Module timing characteristics.

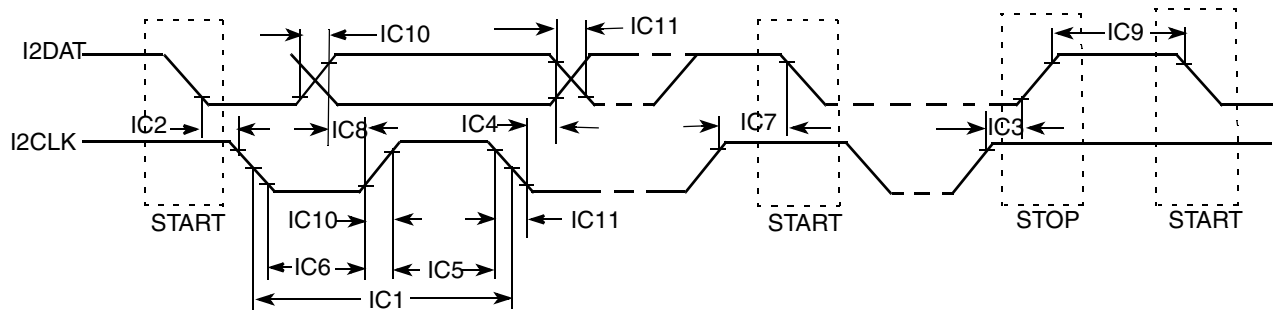


Figure 46. I<sup>2</sup>C Bus Timing

Table 64. I<sup>2</sup>C Module Timing Parameters

ID	Parameter	Standard Mode Supply Voltage = 1.65 V–1.95 V, 2.7 V–3.3 V		Fast Mode Supply Voltage = 2.7 V–3.3 V		Unit
		Min	Max	Min	Max	
IC1	I2CLK cycle time	10	—	2.5	—	μs
IC2	Hold time (repeated) START condition	4.0	—	0.6	—	μs
IC3	Set-up time for STOP condition	4.0	—	0.6	—	μs
IC4	Data hold time	0 <sup>1</sup>	3.45 <sup>2</sup>	0 <sup>1</sup>	0.9 <sup>2</sup>	μs
IC5	HIGH Period of I2CLK Clock	4.0	—	0.6	—	μs
IC6	LOW Period of the I2CLK Clock	4.7	—	1.3	—	μs
IC7	Set-up time for a repeated START condition	4.7	—	0.6	—	μs
IC8	Data set-up time	250	—	100 <sup>3</sup>	—	ns
IC9	Bus free time between a STOP and START condition	4.7	—	1.3	—	μs
IC10	Rise time of both I2DAT and I2CLK signals	—	1000	20 + 0.1C <sub>b</sub> <sup>4</sup>	300	ns
IC11	Fall time of both I2DAT and I2CLK signals	—	300	20 + 0.1C <sub>b</sub> <sup>4</sup>	300	ns
IC12	Capacitive load for each bus line (C <sub>b</sub> )	—	400	—	400	pF

<sup>1</sup> A device must internally provide a hold time of at least 300 ns for I2DAT signal in order to bridge the undefined region of the falling edge of I2CLK.

<sup>2</sup> The maximum hold time has only to be met if the device does not stretch the LOW period (ID no IC5) of the I2CLK signal

<sup>3</sup> A Fast-mode I2C-bus device can be used in a Standard-mode I2C-bus system, but the requirement of Set-up time (ID No IC7) of 250 ns must be met. This automatically is the case if the device does not stretch the LOW period of the I2CLK signal. If such a device does stretch the LOW period of the I2CLK signal, it must output the next data bit to the I2DAT line max\_rise\_time (IC9) + data\_setup\_time (IC7) = 1000 + 250 = 1250 ns (according to the Standard-mode I2C-bus specification) before the I2CLK line is released.

<sup>4</sup> C<sub>b</sub> = total capacitance of one bus line in pF.

### 3.7.8 Image Processing Unit (IPU) Module Parameters

The purpose of the IPU is to provide comprehensive support for the flow of data from an image sensor and/or to a display device. This support covers all aspects of these activities:

- Connectivity to relevant devices—cameras, displays, graphics accelerators, and TV encoders.
- Related image processing and manipulation: sensor image signal processing, display processing, image conversions, and other related functions.
- Synchronization and control capabilities such as avoidance of tearing artifacts.

#### 3.7.8.1 Sensor Interface Timings

There are three camera timing modes supported by the IPU.

##### 3.7.8.1.1 BT.656 and BT.1120 Video Mode

Smart camera sensors, which include imaging processing, usually support video mode transfer. They use an embedded timing syntax to replace the SENSB\_VSYNC and SENSB\_HSYNC signals. The timing syntax is defined by the BT.656/BT.1120 standards.

This operation mode follows the recommendations of ITU BT.656/ ITU BT.1120 specifications. The only control signal used is SENSB\_PIX\_CLK. Start-of-frame and active-line signals are embedded in the data stream. An active line starts with a SAV code and ends with a EAV code. In some cases, digital blanking is inserted in between EAV and SAV code. The CSI decodes and filters out the timing-coding from the data stream, thus recovering SENSB\_VSYNC and SENSB\_HSYNC signals for internal use. On BT.656 one component per cycle is received over the SENSB\_DATA bus. On BT.1120 two components per cycle are received over the SENSB\_DATA bus.

##### 3.7.8.1.2 Gated Clock Mode

The SENSB\_VSYNC, SENSB\_HSYNC, and SENSB\_PIX\_CLK signals are used in this mode. See [Figure 47](#).

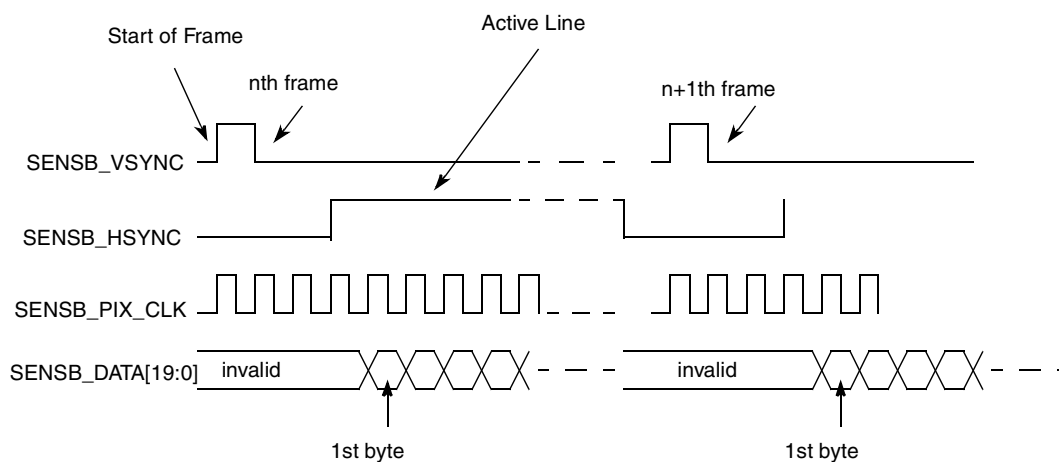


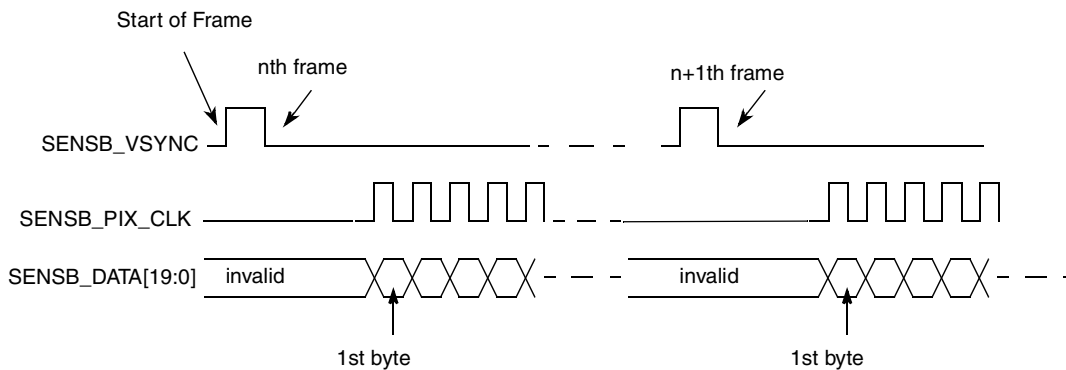
Figure 47. Gated Clock Mode Timing Diagram

## Electrical Characteristics

A frame starts with a rising edge on SENS<sub>B</sub>\_VSYNC (all the timings correspond to straight polarity of the corresponding signals). Then SENS<sub>B</sub>\_HSYNC goes to high and hold for the entire line. Pixel clock is valid as long as SENS<sub>B</sub>\_HSYNC is high. Data is latched at the rising edge of the valid pixel clocks. SENS<sub>B</sub>\_HSYNC goes to low at the end of line. Pixel clocks then become invalid and the CSI stops receiving data from the stream. For next line the SENS<sub>B</sub>\_HSYNC timing repeats. For next frame the SENS<sub>B</sub>\_VSYNC timing repeats.

### 3.7.8.1.3 Non-Gated Clock Mode

The timing is the same as the gated-clock mode (described in [Section 3.7.8.1.2, “Gated Clock Mode”](#)), except for the SENS<sub>B</sub>\_HSYNC signal, which is not used. See [Figure 48](#). All incoming pixel clocks are valid and cause data to be latched into the input FIFO. The SENS<sub>B</sub>\_PIX\_CLK signal is inactive (states low) until valid data is going to be transmitted over the bus.

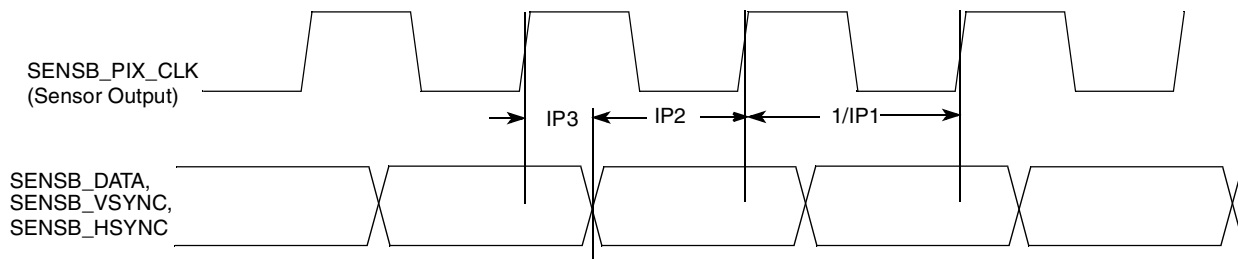


**Figure 48. Non-Gated Clock Mode Timing Diagram**

The timing described in [Figure 48](#) is that of a typical sensor. Some other sensors may have a slightly different timing. The CSI can be programmed to support rising/falling-edge triggered SENS<sub>B</sub>\_VSYNC; active-high/low SENS<sub>B</sub>\_HSYNC; and rising/falling-edge triggered SENS<sub>B</sub>\_PIX\_CLK.

### 3.7.8.2 Electrical Characteristics

[Figure 49](#) depicts the sensor interface timing. SENS<sub>B</sub>\_MCLK signal described here is not generated by the IPU.



**Figure 49. Sensor Interface Timing Diagram**

Table 65. Sensor Interface Timing Characteristics

ID	Parameter	Symbol	Min	Max	Unit
IP1	Sensor output (pixel) clock frequency	Fpck	0.01	120	MHz
IP2	Data and control setup time	Tsu	3	—	ns
IP3	Data and control holdup time	Thd	2	—	ns

### 3.7.8.3 IPU Display Interface Signal Mapping

The IPU supports a number of display output video formats. [Table 66](#) defines the mapping of the Display Interface Pins used during various supported video interface formats.

Table 66. Video Signal Cross-Reference

i.MX51	LCD								Comment <sup>1</sup>
	Port Name (x=1,2)	RGB, Signal Name (General)	RGB/TV Signal Allocation (Example)					Smart	
			16-bit RGB	18-bit RGB	24 Bit RGB	8-bit YCrCb <sup>2</sup>	16-bit YCrCb	20-bit YCrCb	
DISPx_DAT0	DAT[0]	B[0]	B[0]	B[0]	Y/C[0]	C[0]	C[0]	DAT[0]	The restrictions are as follows: a) There are maximal three continuous groups of bits that could be independently mapped to the external bus.  Groups should not be overlapped.  b) The bit order is expressed in each of the bit groups, for example B[0] = least significant blue pixel bit
DISPx_DAT1	DAT[1]	B[1]	B[1]	B[1]	Y/C[1]	C[1]	C[1]	DAT[1]	
DISPx_DAT2	DAT[2]	B[2]	B[2]	B[2]	Y/C[2]	C[2]	C[2]	DAT[2]	
DISPx_DAT3	DAT[3]	B[3]	B[3]	B[3]	Y/C[3]	C[3]	C[3]	DAT[3]	
DISPx_DAT4	DAT[4]	B[4]	B[4]	B[4]	Y/C[4]	C[4]	C[4]	DAT[4]	
DISPx_DAT5	DAT[5]	G[0]	B[5]	B[5]	Y/C[5]	C[5]	C[5]	DAT[5]	
DISPx_DAT6	DAT[6]	G[1]	G[0]	B[6]	Y/C[6]	C[6]	C[6]	DAT[6]	
DISPx_DAT7	DAT[7]	G[2]	G[1]	B[7]	Y/C[7]	C[7]	C[7]	DAT[7]	
DISPx_DAT8	DAT[8]	G[3]	G[2]	G[0]	—	Y[0]	C[8]	DAT[8]	
DISPx_DAT9	DAT[9]	G[4]	G[3]	G[1]	—	Y[1]	C[9]	DAT[9]	
DISPx_DAT10	DAT[10]	G[5]	G[4]	G[2]	—	Y[2]	Y[0]	DAT[10]	
DISPx_DAT11	DAT[11]	R[0]	G[5]	G[3]	—	Y[3]	Y[1]	DAT[11]	
DISPx_DAT12	DAT[12]	R[1]	R[0]	G[4]	—	Y[4]	Y[2]	DAT[12]	
DISPx_DAT13	DAT[13]	R[2]	R[1]	G[5]	—	Y[5]	Y[3]	DAT[13]	
DISPx_DAT14	DAT[14]	R[3]	R[2]	G[6]	—	Y[6]	Y[4]	DAT[14]	
DISPx_DAT15	DAT[15]	R[4]	R[3]	G[7]	—	Y[7]	Y[5]	DAT[15]	
DISPx_DAT16	DAT[16]	—	R[4]	R[0]	—	—	Y[6]	—	
DISPx_DAT17	DAT[17]	—	R[5]	R[1]	—	—	Y[7]	—	
DISPx_DAT18	DAT[18]	—	—	R[2]	—	—	Y[8]	—	
DISPx_DAT19	DAT[19]	—	—	R[3]	—	—	Y[9]	—	
DISPx_DAT20	DAT[20]	—	—	R[4]	—	—	—	—	
DISPx_DAT21	DAT[21]	—	—	R[5]	—	—	—	—	

Because of an order from the United States International Trade Commission, BGA-packaged product lines and part numbers indicated here currently are not available from Freescale for import or sale in the United States prior to September 2010: MCIMX512DVK8C, MCIMX513DVK8C, MCIMX515DVK8C, and MCIMX511DVK8C.



Table 66. Video Signal Cross-Reference (continued)

i.MX51	LCD								Comment <sup>1</sup>
	Port Name (x=1,2)	RGB, Signal Name (General)	RGB/TV Signal Allocation (Example)					Smart	
			16-bit RGB	18-bit RGB	24 Bit RGB	8-bit YCrCb <sup>2</sup>	16-bit YCrCb	20-bit YCrCb	
DISPx_DAT22	DAT[22]	—	—	R[6]	—	—	—	—	—
DISPx_DAT23	DAT[23]	—	—	R[7]	—	—	—	—	—
Dlx_DISP_CLK	PixCLK							—	—
Dlx_PIN1	—							VSYNC_IN	May be required for anti-tearing
Dlx_PIN2	HSYNC							—	—
Dlx_PIN3	VSYNC							—	VSYNC out
Dlx_PIN4	—							—	Additional frame/row synchronous signals with programmable timing
Dlx_PIN5	—							—	
Dlx_PIN6	—							—	
Dlx_PIN7	—							—	
Dlx_PIN8	—							—	
Dlx_D0_CS	—							CS0	—
Dlx_D1_CS	—							CS1	Alternate mode of PWM output for contrast or brightness control
Dlx_PIN11	—							WR	—
Dlx_PIN12	—							RD	—
Dlx_PIN13	—							RS1	Register select signal
Dlx_PIN14	—							RS2	Optional RS2
Dlx_PIN15	DRDY/DV							DRDY	Data validation/blank, data enable
Dlx_PIN16	—							—	Additional data synchronous signals with programmable features/timing
Dlx_PIN17	Q							—	

<sup>1</sup> Signal mapping (both data and control/synchronization) is flexible. The table provides examples.

<sup>2</sup> This mode works in compliance with recommendation ITU-R BT.656. The timing reference signals (frame start, frame end, line start, and line end) are embedded in the 8-bit data bus. Only video data is supported, transmission of non-video related data during blanking intervals is not supported.

### 3.7.8.4 IPU Display Interface Timing

The IPU Display Interface supports two kinds of display's accesses: synchronous and asynchronous. There are two groups of external interface pins to provide synchronous and asynchronous controls accordantly.

#### 3.7.8.4.1 Synchronous Controls

The synchronous control is a signal that changes its value as a function either of a system or of an external clock. This control has a permanent period and a permanent wave form.

There are special physical outputs to provide synchronous controls:

- The `ipp_disp_clk` is a dedicated base synchronous signal that is used to generate a base display (component, pixel) clock for a display.
- The `ipp_pin_1–ipp_pin_7` are general purpose synchronous pins, that can be used to provide HSYNC, VSYNC, DRDY or any else independent signal to a display.

The IPU has a system of internal binding counters for internal events (like HSYNC/VSYCN etc.) calculation. The internal event (local start point) is synchronized with internal `DI_CLK`. A suitable control starts from the local start point with predefined UP and DOWN values to calculate control's changing points with half `DI_CLK` resolution. A full description of the counters system is in the IPU chapter of the i.MX51 reference manual.

#### 3.7.8.4.2 Asynchronous Controls

The asynchronous control is a data oriented signal that changes its a value with an output data according to an additional internal flags coming with the data.

There are special physical outputs to provide asynchronous controls, as follows:

- The `ipp_d0_cs` and `ipp_d1_cspins` are dedicated to provide chip select signals to two displays
- The `ipp_pin_11–ipp_pin_17` are general purpose asynchronous pins, that can be used to provide WR, RD, RS or any else data oriented signal to display.

#### NOTE

The IPU has independent signal generators for asynchronous signals toggling. When a DI decides to put a new asynchronous data in the bus, a new internal start (local start point) is generated. The signals generators calculate predefined UP and DOWN values to change pins states with half `DI_CLK` resolution.

### 3.7.8.5 Synchronous Interfaces to Standard Active Matrix TFT LCD Panels

#### 3.7.8.5.1 IPU Display Operating Signals

The IPU uses four control signals and data to operate a standard synchronous interface:

- `IPP_DISP_CLK`—Clock to display
- `HSYNC`—Horizontal synchronization

- VSYNC—Vertical synchronization
- DRDY—Active data

All synchronous display controls are generated on base of an internal generated “local start point”. The synchronous display controls can be placed on time axis with DI’s offset, up and down parameters. The display access can be whole number of DI clock ( $T_{dclk}$ ) only. The IPP\_DATA can not be moved relative to the local start point.

### 3.7.8.5.2 LCD Interface Functional Description

Figure 50 depicts the LCD interface timing for a generic active matrix color TFT panel. In this figure signals are shown with negative polarity. The sequence of events for active matrix interface timing is:

- DI\_CLK internal DI clock, used for calculation of other controls.
- IPP\_DISP\_CLK latches data into the panel on its negative edge (when positive polarity is selected). In active mode, IPP\_DISP\_CLK runs continuously.
- HSYNC causes the panel to start a new line. (Usually IPP\_PIN\_2 is used as HSYNC)
- VSYNC causes the panel to start a new frame. It always encompasses at least one HSYNC pulse. (Usually IPP\_PIN\_3 is used as VSYNC)
- DRDY acts like an output enable signal to the CRT display. This output enables the data to be shifted onto the display. When disabled, the data is invalid and the trace is off. (For DRDY can be used either synchronous or asynchronous generic purpose pin as well.)

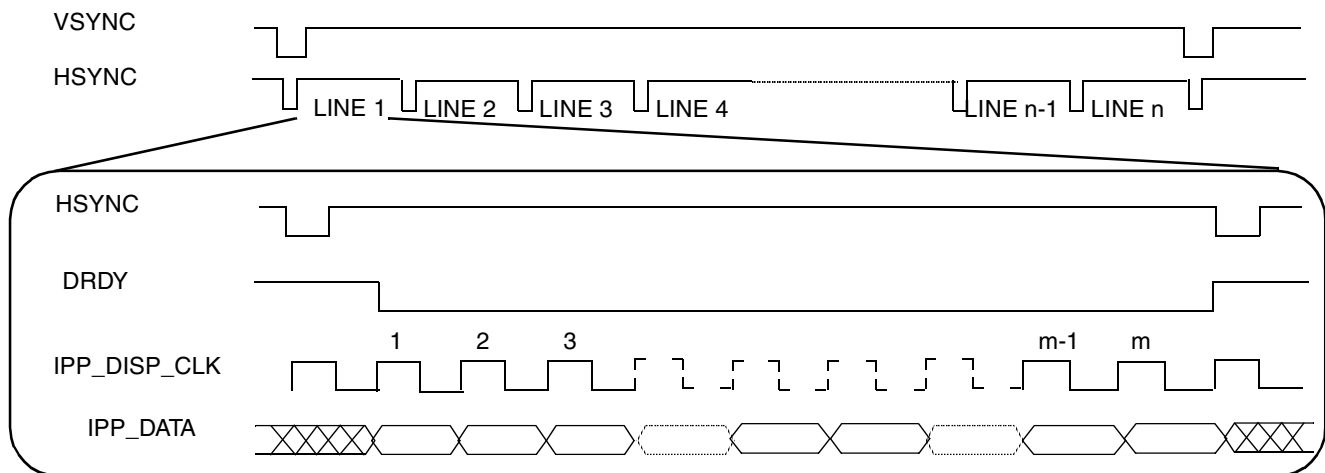


Figure 50. Interface Timing Diagram for TFT (Active Matrix) Panels

### 3.7.8.5.3 TFT Panel Sync Pulse Timing Diagrams

Figure 51 depicts the horizontal timing (timing of one line), including both the horizontal sync pulse and the data. All shown on the figure parameters are programmable. All controls are started by corresponding internal events—local start points. The timing diagrams correspond to inverse polarity of the IPP\_DISP\_CLK signal and active-low polarity of the HSYNC, VSYNC and DRDY signals.

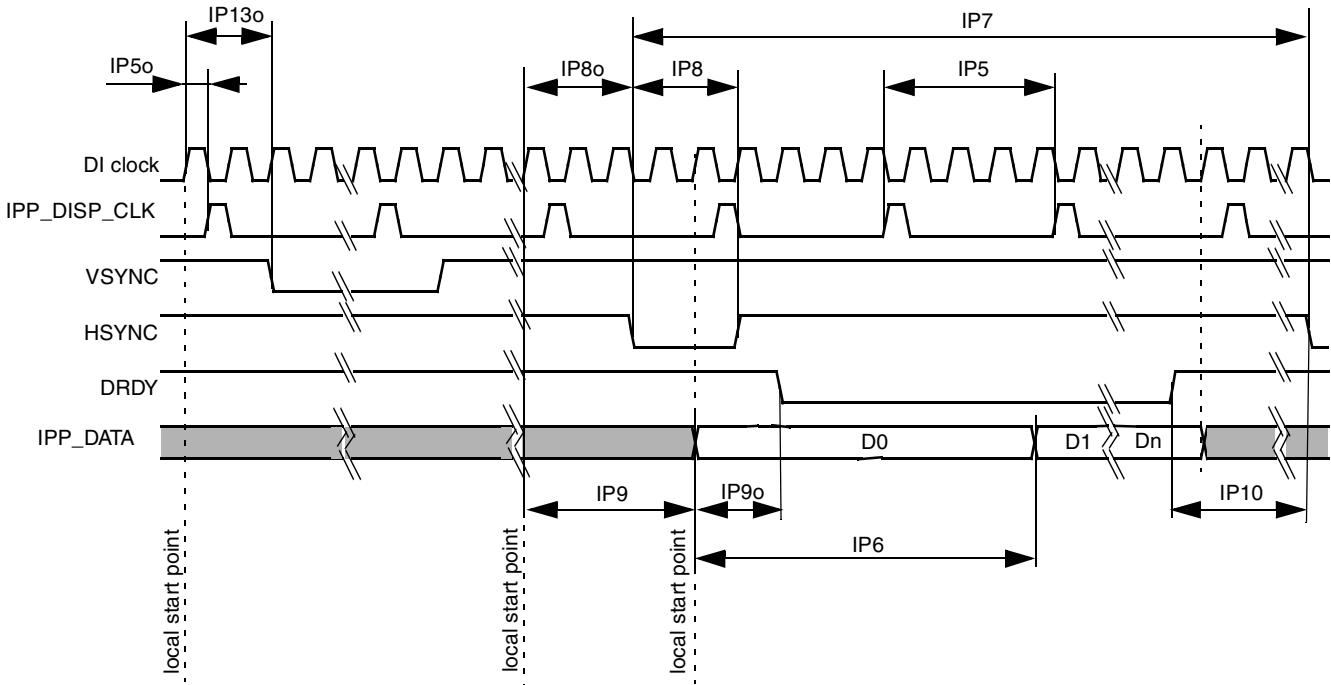


Figure 51. TFT Panels Timing Diagram—Horizontal Sync Pulse

Figure 52 depicts the vertical timing (timing of one frame). All parameters shown in the figure are programmable.

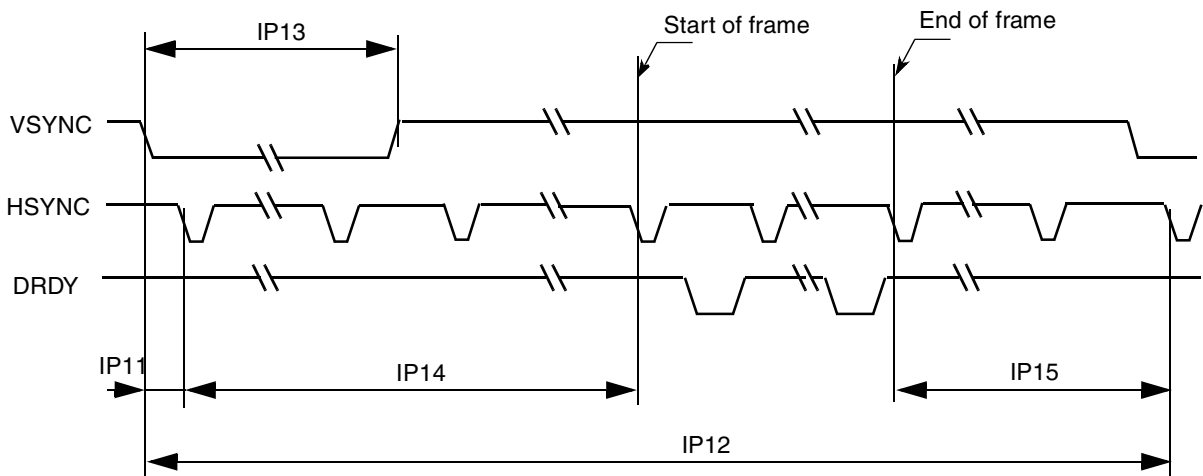


Figure 52. TFT Panels Timing Diagram—Vertical Sync Pulse

Because of an order from the United States International Trade Commission, BGA-packaged product lines and part numbers indicated here currently are not available from Freescale for import or sale in the United States prior to September 2010: MCIMX512DVK8C, MCIMX513DVK8C, MCIMX515DVK8C, and MCIMX511DVK8C.

Table 67 shows timing characteristics of signals presented in Figure 51 and Figure 52.

**Table 67. Synchronous Display Interface Timing Characteristics (Pixel Level)**

ID	Parameter	Symbol	Value	Description	Unit
IP5	Display interface clock period	Tdicp	( <sup>1</sup> )	Display interface clock. IPP_DISP_CLK	ns
IP6	Display pixel clock period	Tdpcp	DISP_CLK_PER_PIXEL × Tdicp	Time of translation of one pixel to display, DISP_CLK_PER_PIXEL—number of pixel components in one pixel (1.n). The DISP_CLK_PER_PIXEL is virtual parameter to define Display pixel clock period. The DISP_CLK_PER_PIXEL is received by DC/DI one access division to n components.	ns
IP7	Screen width time	Tsw	(SCREEN_WIDTH) × Tdicp	SCREEN_WIDTH—screen width in, interface clocks. horizontal blanking included. The SCREEN_WIDTH should be built by suitable DI's counter <sup>2</sup> .	ns
IP8	HSYNC width time	Thsw	(HSYNC_WIDTH)	HSYNC_WIDTH—Hsync width in DI_CLK with 0.5 DI_CLK resolution. Defined by DI's counter.	ns
IP9	Horizontal blank interval 1	Thbi1	BGXP × Tdicp	BGXP—Width of a horizontal blanking before a first active data in a line. (in interface clocks). The BGXP should be built by suitable DI's counter.	ns
IP10	Horizontal blank interval 2	Thbi2	(SCREEN_WIDTH - BGXP - FW) × Tdicp	Width a horizontal blanking after a last active data in a line. (in interface clocks) FW—width of active line in interface clocks. The FW should be built by suitable DI's counter.	ns
IP12	Screen height	Tsh	(SCREEN_HEIGHT) × Tsw	SCREEN_HEIGHT— screen height in lines with blanking The SCREEN_HEIGHT is a distance between 2 VSYNCs. The SCREEN_HEIGHT should be built by suitable DI's counter.	ns
IP13	VSYNC width	Tvsw	VSYNC_WIDTH	VSYNC_WIDTH—Vsync width in DI_CLK with 0.5 DI_CLK resolution. Defined by DI's counter	ns
IP14	Vertical blank interval 1	Tvbi1	BGYP × Tsw	BGYP—width of first Vertical blanking interval in line.The BGYP should be built by suitable DI's counter.	ns
IP15	Vertical blank interval 2	Tvbi2	(SCREEN_HEIGHT - BGYP - FH) × Tsw	width of second Vertical blanking interval in line.The FH should be built by suitable DI's counter.	ns

**Table 67. Synchronous Display Interface Timing Characteristics (Pixel Level) (continued)**

ID	Parameter	Symbol	Value	Description	Unit
IP50	Offset of IPP_DISP_CLK	Todicp	DISP_CLK_OFFSET × Tdiclk	DISP_CLK_OFFSET— offset of IPP_DISP_CLK edges from local start point, in DI_CLK×2 (0.5 DI_CLK Resolution) Defined by DISP_CLK counter	ns
IP130	Offset of VSYNC	Tovs	VSYNC_OFFSET × Tdiclk	VSYNC_OFFSET—offset of Vsync edges from a local start point, when a Vsync should be active, in DI_CLK×2 (0.5 DI_CLK Resolution).The VSYNC_OFFSET should be built by suitable DI's counter.	ns
IP80	Offset of HSYNC	Tohs	HSYNC_OFFSET × Tdiclk	HSYNC_OFFSET—offset of Hsync edges from a local start point, when a Hsync should be active, in DI_CLK×2 (0.5 DI_CLK Resolution).The HSYNC_OFFSET should be built by suitable DI's counter.	ns
IP90	Offset of DRDY	Todrdy	DRDY_OFFSET × Tdiclk	DRDY_OFFSET— offset of DRDY edges from a suitable local start point, when a corresponding data has been set on the bus, in DI_CLK×2 (0.5 DI_CLK Resolution) The DRDY_OFFSET should be built by suitable DI's counter.	ns

<sup>1</sup> Display interface clock period immediate value.

$$T_{dicp} = \begin{cases} T_{diclk} \times \frac{DISP\_CLK\_PERIOD}{DI\_CLK\_PERIOD}, & \text{for integer } \frac{DISP\_CLK\_PERIOD}{DI\_CLK\_PERIOD} \\ T_{diclk} \left( \text{floor} \left[ \frac{DISP\_CLK\_PERIOD}{DI\_CLK\_PERIOD} \right] + 0.5 \pm 0.5 \right), & \text{for fractional } \frac{DISP\_CLK\_PERIOD}{DI\_CLK\_PERIOD} \end{cases}$$

DISP\_CLK\_PERIOD—number of DI\_CLK per one Tdicp. Resolution 1/16 of DI\_CLK

DI\_CLK\_PERIOD—relation of between programing clock frequency and current system clock frequency

Display interface clock period average value.

$$\bar{T}_{dicp} = T_{diclk} \times \frac{DISP\_CLK\_PERIOD}{DI\_CLK\_PERIOD}$$

<sup>2</sup> DI's counter can define offset, period and UP/DOWN characteristic of output signal according to programed parameters of the counter. Same of parameters in the table are not defined by DI's registers directly (by name), but can be generated by corresponding DI's counter. The SCREEN\_WIDTH is an input value for DI's HSYNC generation counter. The distance between HSYNCs is a SCREEN\_WIDTH.

The maximal accuracy of UP/DOWN edge of controls is

$$\text{Accuracy} = (0.5 \times T_{diclk}) \pm 0.75\text{ns}$$

The maximal accuracy of UP/DOWN edge of IPP\_DATA is

$$\text{Accuracy} = T_{\text{diclk}} \pm 0.75\text{ns}$$

The DISP\_CLK\_PERIOD, DI\_CLK\_PERIOD parameters are programmed via registers.

Figure 53 depicts the synchronous display interface timing for access level. The DISP\_CLK\_DOWN and DISP\_CLK\_UP parameters are set via the Register.

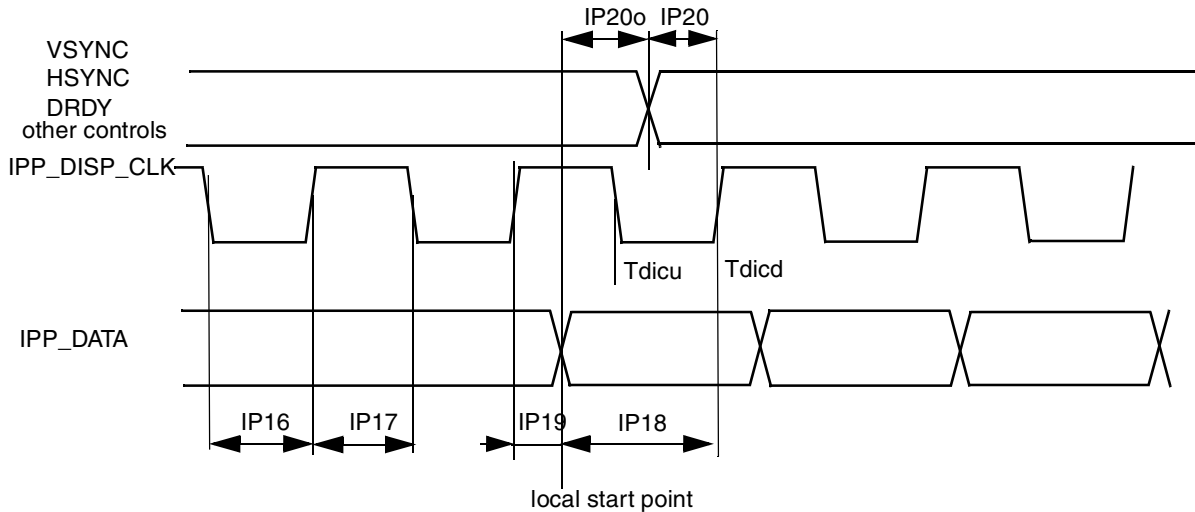


Figure 53. Synchronous Display Interface Timing Diagram—Access Level

Table 68. Synchronous Display Interface Timing Characteristics (Access Level)

ID	Parameter	Symbol	Min	Typ <sup>1</sup>	Max	Unit
IP16	Display interface clock low time	Tckl	Tdicd-Tdicu-1.5	Tdicd <sup>2</sup> -Tdicu <sup>3</sup>	Tdicd-Tdicu+1.5	ns
IP17	Display interface clock high time	Tckh	Tdicp-Tdicd+Tdicu-1.5	Tdicp-Tdicd+Tdicu	Tdicp-Tdicd+Tdicu+1.5	ns
IP18	Data setup time	Tdsu	Tdicd-1.5	Tdicu	—	ns
IP19	Data holdup time	Tdhd	Tdicp-Tdicd-1.5	Tdicp-Tdicu	—	ns
IP20o	Control signals offset times (defines for each pin)	Tocsu	Tocsu-1.5	Tocsu	Tocsu+1.5	—
IP20	Control signals setup time to display interface clock (defines for each pin)	Tcsu	Tdicd-1.5-Tocsu%Tdicp	Tdicu	—	ns

<sup>1</sup>The exact conditions have not been finalized, but will likely match the current customer requirement for their specific display. These conditions may be chip specific.

## Electrical Characteristics

<sup>2</sup> Display interface clock down time

$$T_{dicd} = \frac{1}{2} \left( T_{diclk} \times \text{ceil} \left[ \frac{2 \times \text{DISP\_CLK\_DOWN}}{\text{DI\_CLK\_PERIOD}} \right] \right)$$

<sup>3</sup> Display interface clock up time

$$T_{dicu} = \frac{1}{2} \left( T_{diclk} \times \text{ceil} \left[ \frac{2 \times \text{DISP\_CLK\_UP}}{\text{DI\_CLK\_PERIOD}} \right] \right)$$

where CEIL(X) rounds the elements of X to the nearest integers towards infinity.

### 3.7.8.6 Interface to a TV Encoder

The interface has an 8-bit data bus, transferring a single 8-bit value (Y/U/V) in each cycle. The timing of the interface is described in [Figure 54](#).

#### NOTE

- The frequency of the clock DISP\_CLK is 27 MHz (within 10%)
- The HSYNC, VSYNC signals are active low.
- The DRDY signal is shown as active high.
- The transition to the next row is marked by the negative edge of the HSYNC signal. It remains low for a single clock cycle
- The transition to the next field/frame is marked by the negative edge of the VSYNC signal. It remains low for at least one clock cycles
  - At a transition to an odd field (of the next frame), the negative edges of VSYNC and HSYNC coincide.
  - At a transition is to an even field (of the same frame), they do not coincide.
- The active intervals—during which data is transferred—are marked by the HSYNC signal being high.



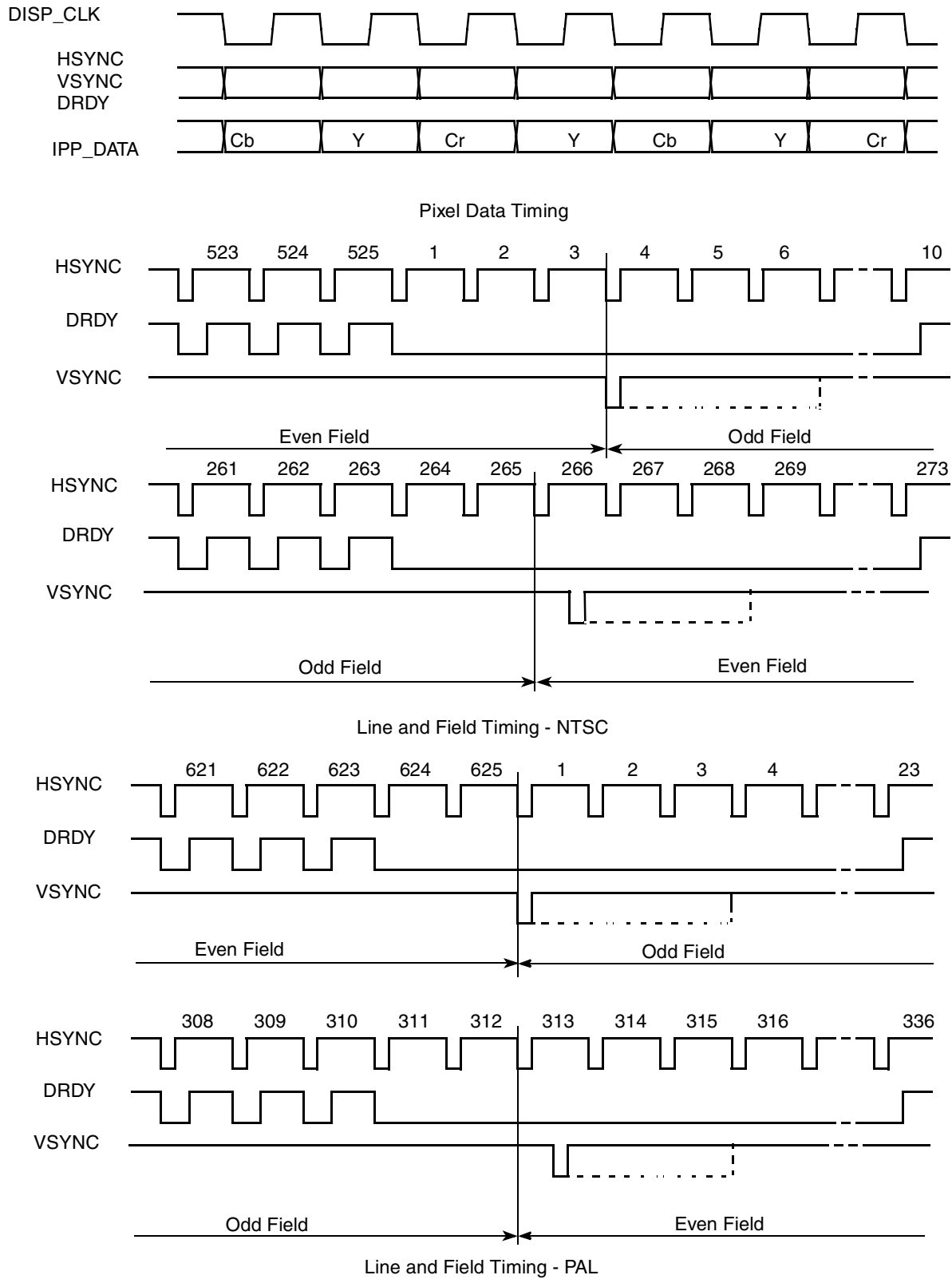


Figure 54. TV Encoder Interface Timing Diagram

## Electrical Characteristics

### 3.7.8.6.1 TV Encoder Performance Specifications

The TV encoder output specifications are shown in [Table 69](#).

**Table 69. TV Encoder Video Performance Specifications**

Parameter	Conditions	Min	Typ	Max	Unit
<b>DAC STATIC PERFORMANCE</b>					
Resolution <sup>1</sup>			10		Bits
Integral Nonlinearity (INL) <sup>2</sup>			1	2	LSBs
Differential Nonlinearity (DNL) <sup>2</sup>			0.6	1	LSBs
Channel-to-channel gain matching <sup>2</sup>			2		%
Full scale output voltage <sup>2</sup>	R <sub>load</sub> = 37.5 Ohm R <sub>set</sub> = 1.05 kOhm	1.24	1.306	1.37	V
<b>DAC DYNAMIC PERFORMANCE</b>					
Spurious Free Dynamic Range (SFDR)	F <sub>out</sub> = 3.38 MHz F <sub>samp</sub> = 216 MHz		59		dBc
Spurious Free Dynamic Range (SFDR)	F <sub>out</sub> = 9.28 MHz F <sub>samp</sub> = 297 MHz		54		dBc
<b>VIDEO PERFORMANCE IN SD MODE<sup>2, 3</sup></b>					
Short Term Jitter (Line to Line)			2.5		±ns
Long Term Jitter (Field to Field)			3.5		±ns
Frequency Response	0-4.0 MHz	-0.1		0.1	dB
	5.75 MHz	-0.7		0	dB
Luminance Nonlinearity			0.5		±%
Differential Gain			0.35		%
Differential Phase			0.6		Degrees
Signal-to-Noise Ratio (SNR)	Flat field full bandwidth		75		dB
Hue Accuracy			0.8		±Degrees
Color Saturation Accuracy			1.5		±%
Chroma AM Noise			-70		dB
Chroma PM Noise			-47		dB
Chroma Nonlinear Phase			0.5		±Degrees
Chroma Nonlinear Gain			2.5		±%
Chroma/Luma Intermodulation			0.1		±%
Chroma/Luma Gain Inequality			1.0		±%
Chroma/Luma Delay Inequality			1.0		±ns
<b>VIDEO PERFORMANCE IN HD MODE<sup>2</sup></b>					

Table 69. TV Encoder Video Performance Specifications (continued)

Luma Frequency Response	0-30 MHz	-0.7		0.1	dB
Chroma Frequency Response	0-15 MHz, YCbCr 422 mode	TBD		TBD	dB
Luma Nonlinearity			2.6		%
Chroma Nonlinearity			2.2		%
Luma Signal-to-Noise Ratio	0-30 MHz		TBD		dB
Chroma Signal-to-Noise Ratio	0-15 MHz		TBD		dB

<sup>1</sup> Guaranteed by design

<sup>2</sup> Guaranteed by characterization

<sup>3</sup>  $R_{set} = 1.05 \text{ k}\Omega$

### 3.7.8.7 Asynchronous Interfaces

#### 3.7.8.7.1 Standard Parallel Interfaces

The IPU has four signal generator machines for asynchronous signal. Each machine generates IPU's internal control levels (0 or 1) by UP and DOWN are defined in Registers. Each asynchronous pin has a dynamic connection with one of the signal generators. This connection is redefined again with a new display access (pixel/component) The IPU can generate control signals according to system 80/68 requirements. The burst length is received as a result from predefined behavior of the internal signal generator machines.

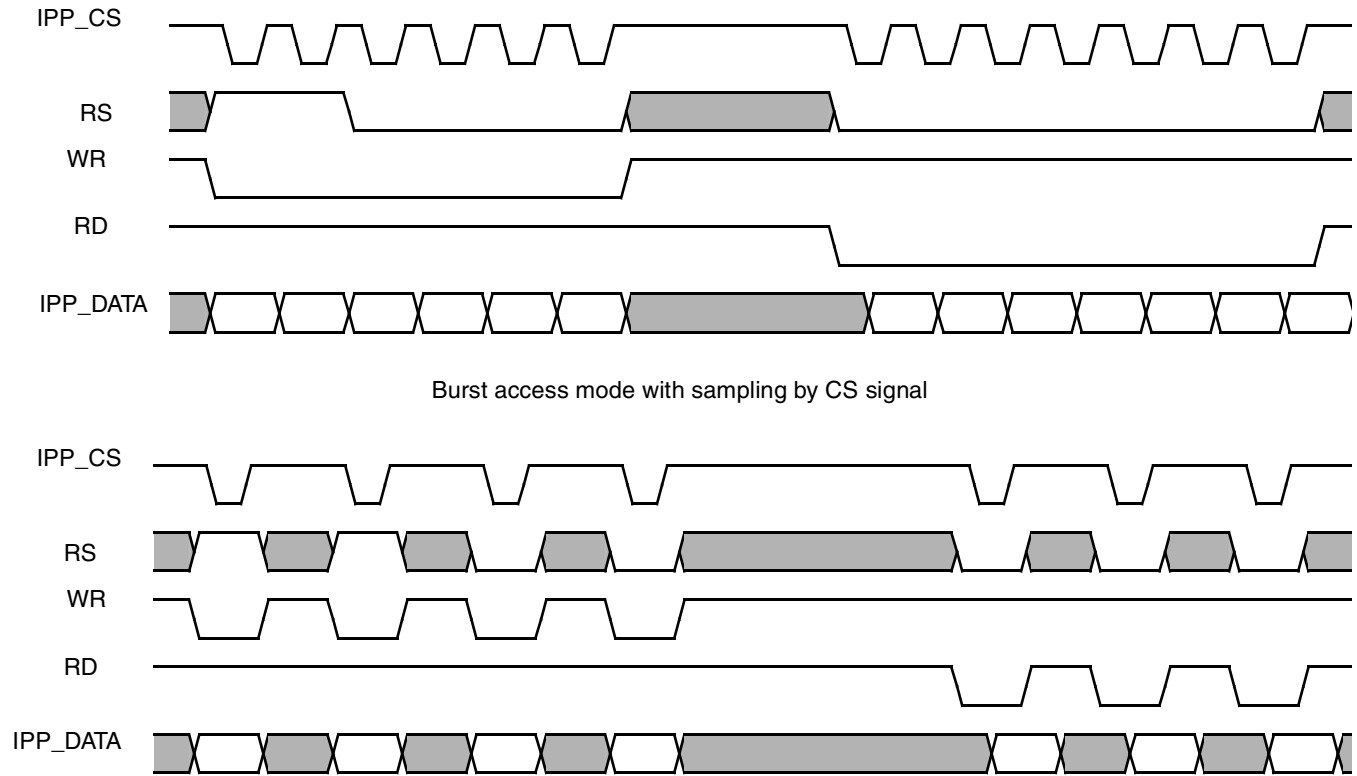
The access to a display is realized by the following:

- CS (IPP\_CS) chip select
- WR (IPP\_PIN\_11) write strobe
- RD (IPP\_PIN\_12) read strobe
- RS (IPP\_PIN\_13) Register select (A0)

Both system 80 and system 68k interfaces are supported for all described modes as depicted in [Figure 55](#), [Figure 56](#), [Figure 57](#), and [Figure 58](#). The timing images correspond to active-low IPP\_CS, WR and RD signals.

Each asynchronous access is defined by an access size parameter. This parameter can be different between different kinds of accesses. This parameter defines a length of windows, when suitable controls of the current access are valid. A pause between two different display accesses can be guaranteed by programming of suitable access sizes. There are no minimal/maximal hold/setup time hard defined by DI. Each control signal can be switched at any time during access size.

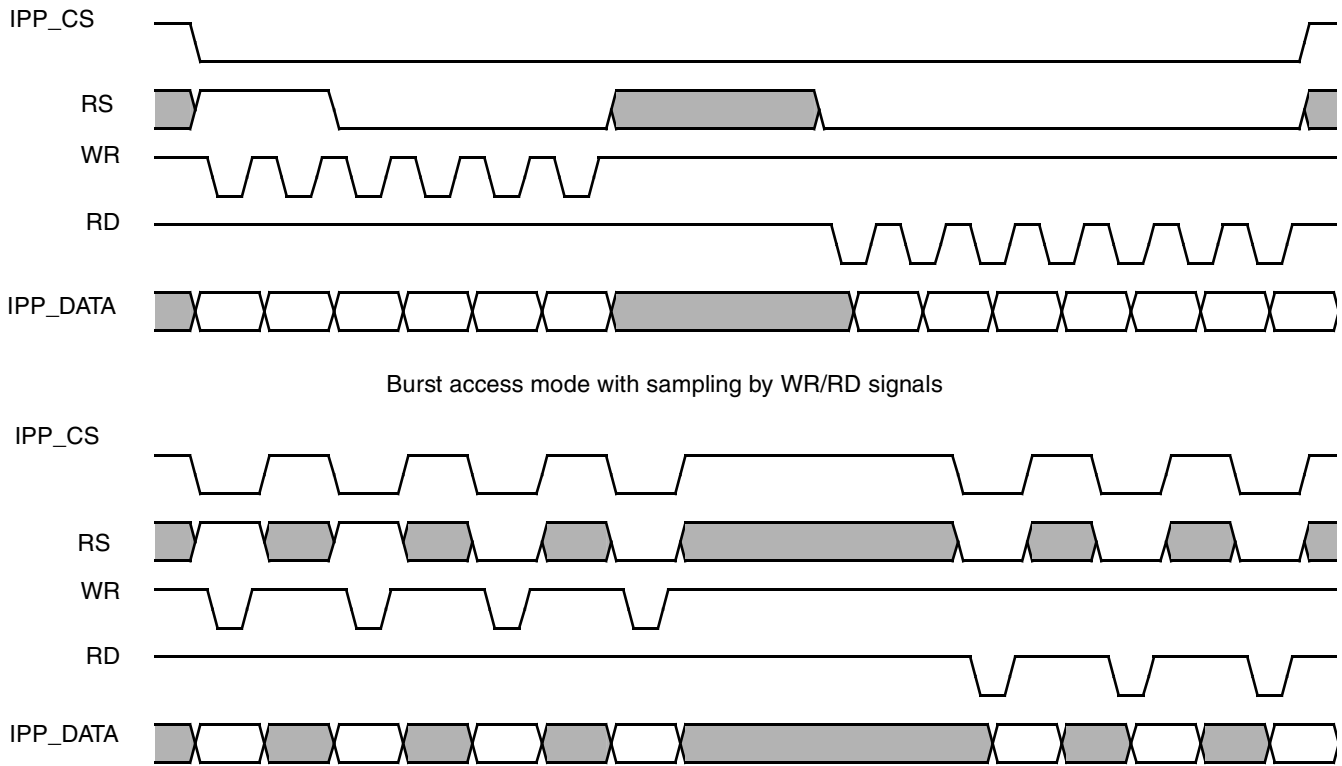
**Electrical Characteristics**



Single access mode (all control signals are not active for one display interface clock after each display access)

**Figure 55. Asynchronous Parallel System 80 Interface (Type 1) Timing Diagram**

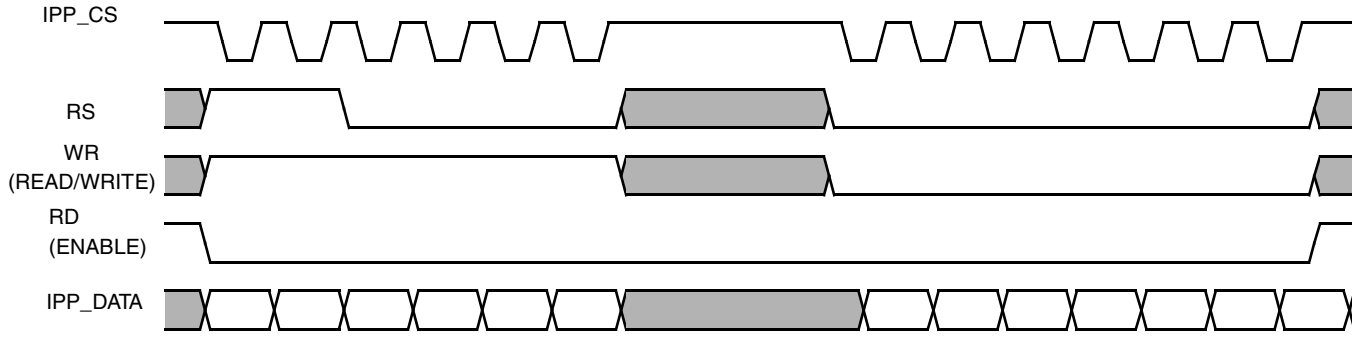
Because of an order from the United States International Trade Commission, BGA-packaged product lines and part numbers indicated here currently are not available from Freescale for import or sale in the United States prior to September 2010: MCIMX512DVK8C, MCIMX513DVK8C, MCIMX515DVK8C, and MCIMX511DVK8C.



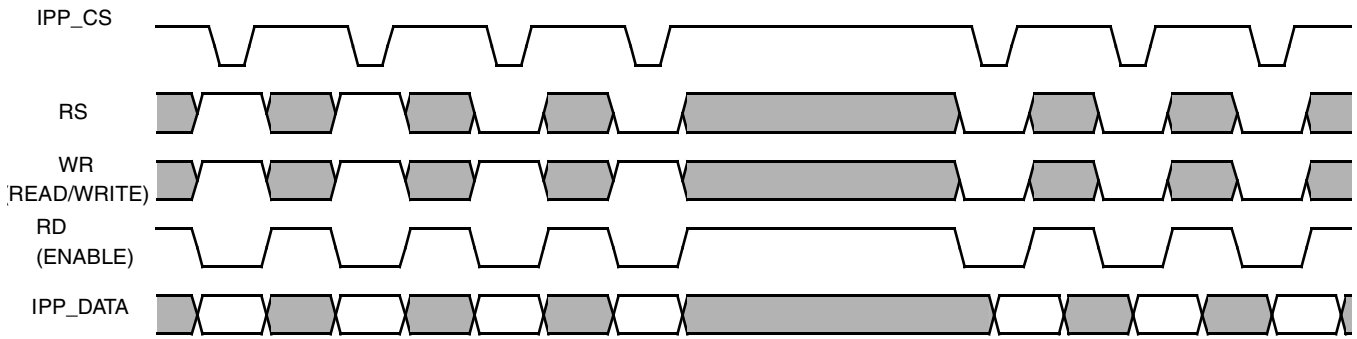
Single access mode (all control signals are not active for one display interface clock after each display access)

**Figure 56. Asynchronous Parallel System 80 Interface (Type 2) Timing Diagram**

**Electrical Characteristics**



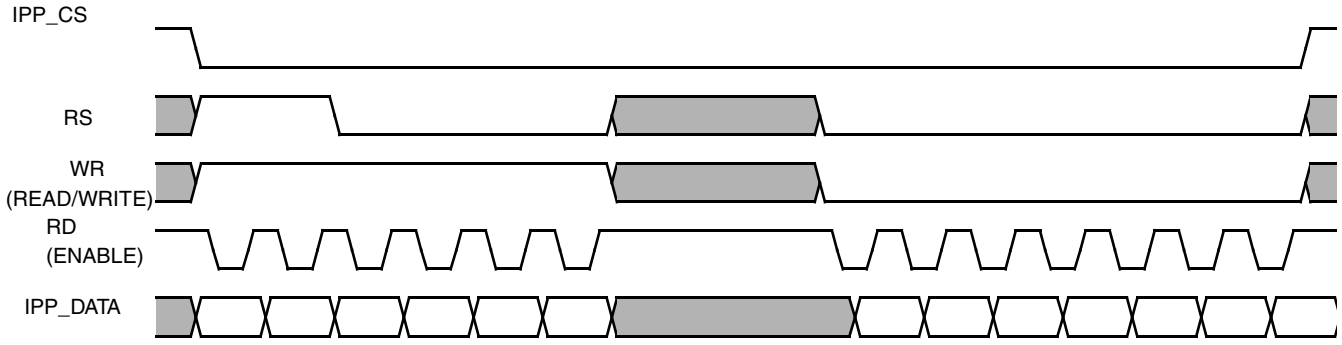
Burst access mode with sampling by CS signal



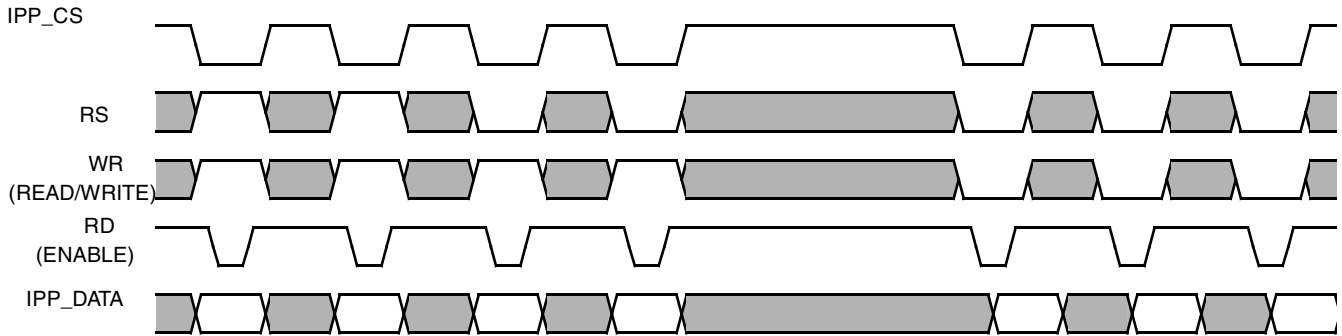
Single access mode (all control signals are not active for one display interface clock after each display access)

**Figure 57. Asynchronous Parallel System 68k Interface (Type 1) Timing Diagram**

Because of an order from the United States International Trade Commission, BGA-packaged product lines and part numbers indicated here currently are not available from Freescale for import or sale in the United States prior to September 2010: MCIMX512DVK8C, MCIMX513DVK8C, MCIMX515DVK8C, and MCIMX511DVK8C.



Burst access mode with sampling by ENABLE signal



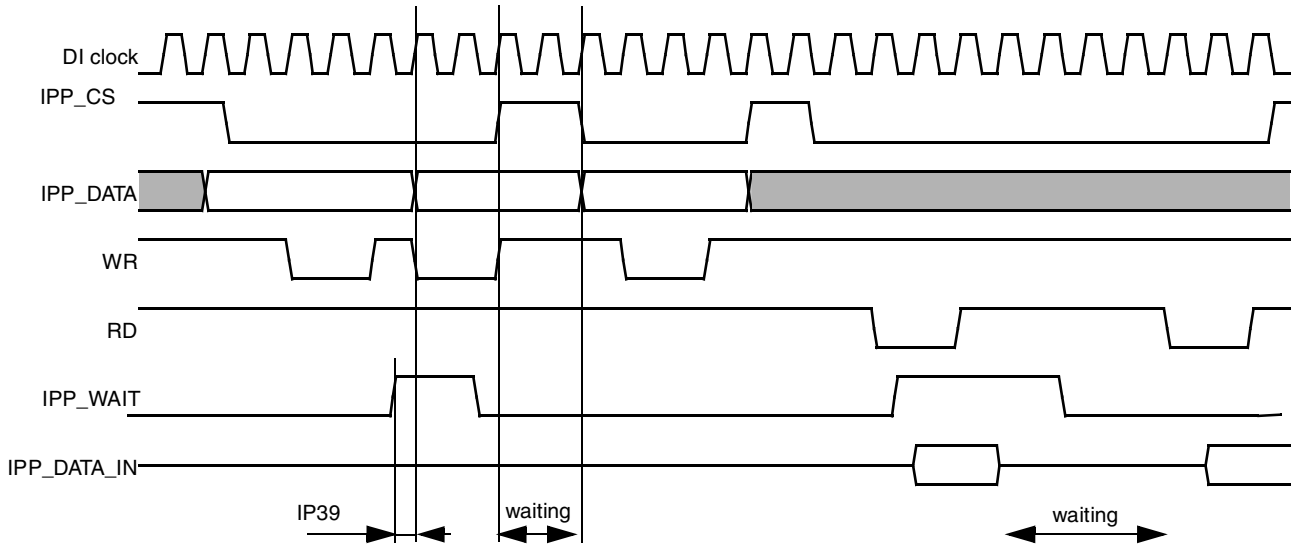
Single access mode (all control signals are not active for one display interface clock after each display access)

**Figure 58. Asynchronous Parallel System 68k Interface (Type 2) Timing Diagram**

Because of an order from the United States International Trade Commission, BGA-packaged product lines and part numbers indicated here currently are not available from Freescale for import or sale in the United States prior to September 2010: MCIMX512DVK8C, MCIMX513DVK8C, MCIMX515DVK8C, and MCIMX511DVK8C.

**Electrical Characteristics**

Display operation can be performed with IPP\_WAIT signal. The DI reacts to the incoming IPP\_WAIT signal with 2 DI\_CLK delay. The DI finishes a current access and a next access is postponed until IPP\_WAIT release. Figure 59 shows timing of the parallel interface with IPP\_WAIT control.



**Figure 59. Parallel Interface Timing Diagram—Read Wait States**

Because of an order from the United States International Trade Commission, BGA-packaged product lines and part numbers indicated here currently are not available from Freescale for import or sale in the United States prior to September 2010: MCIMX512DVK8C, MCIMX513DVK8C, MCIMX515DVK8C, and MCIMX511DVK8C.



### 3.7.8.7.2 Asynchronous Parallel Interface Timing Parameters

Figure 60 depicts timing of asynchronous parallel interfaces based on the system 80 and system 68k interfaces. Table 71 shows timing characteristics at display access level. All timing diagrams are based on active low control signals (signals polarity is controlled via the DI\_DISP\_SIG\_POL Register).

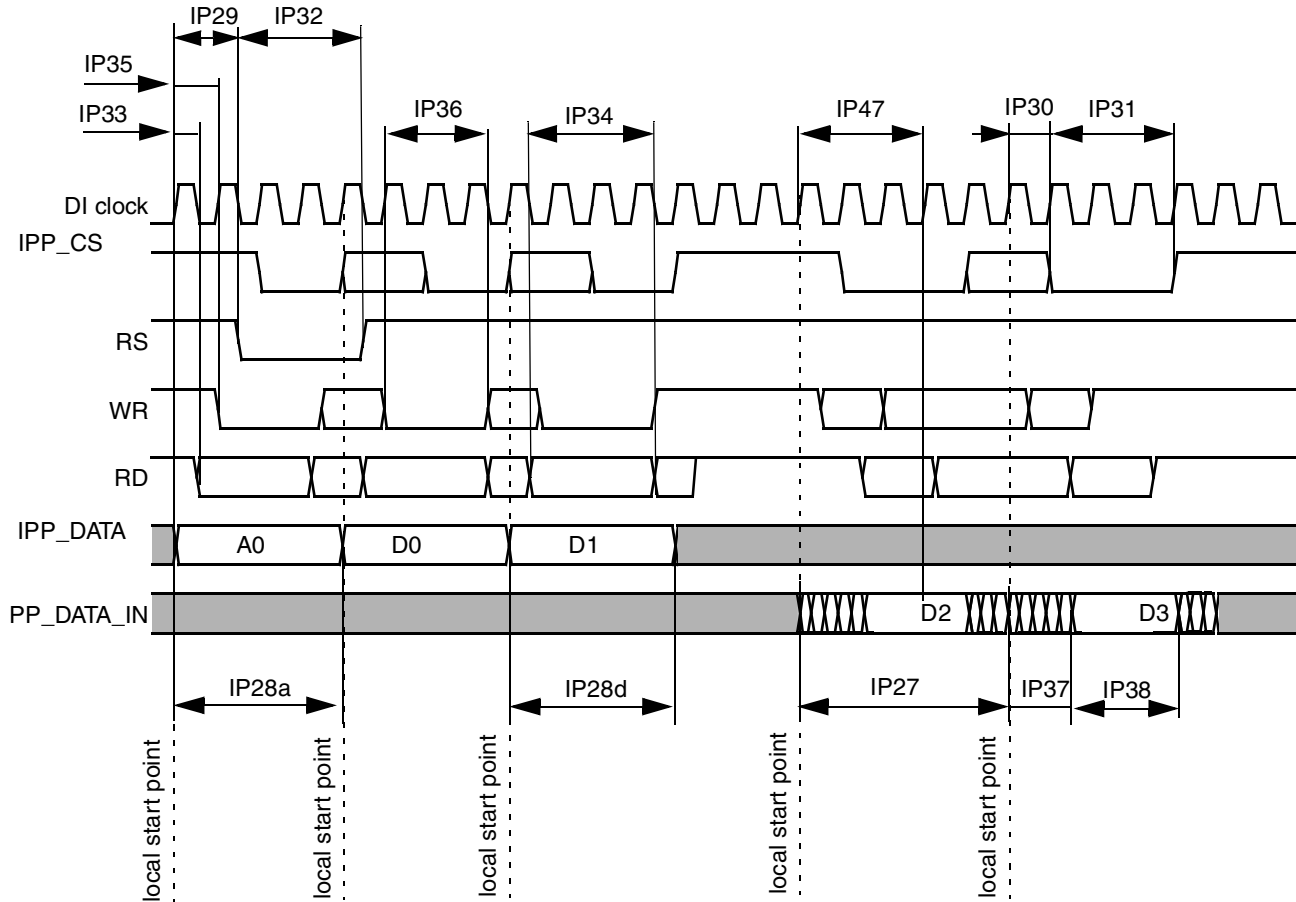


Figure 60. Asynchronous Parallel Interface Timing Diagram

Table 70. Asynchronous Display Interface Timing Parameters (Pixel Level)

ID	Parameter	Symbol	Value	Description	Unit
IP27	Read system cycle time	Tcycr	ACCESS_SIZE_#	predefined value in DI REGISTER	ns
IP28a	Address Write system cycle time	Tcycwa	ACCESS_SIZE_#	predefined value in DI REGISTER	ns
IP28d	Data Write system cycle time	Tcycwd	ACCESS_SIZE_#	predefined value in DI REGISTER	ns
IP29	RS start	Tdcrr	UP#	RS strobe switch, predefined value in DI REGISTER	ns
IP30	CS start	Tdcsc	UP#	CS strobe switch, predefined value in DI REGISTER	ns
IP31	CS hold	Tdchc	DOWN#	CS strobe release, predefined value in DI REGISTER	—

Table 70. Asynchronous Display Interface Timing Parameters (Pixel Level) (continued)

ID	Parameter	Symbol	Value	Description	Unit
IP32	RS hold	Tdchrr	DOWN#	RS strobe release, predefined value in DI REGISTER	—
IP33	Read start	Tdcscr	UP#	read strobe switch, predefined value in DI REGISTER	ns
IP34	Read hold	Tdchr	DOWN#	read strobe release signal, predefined value in DI REGISTER	ns
IP35	Write start	Tdcsw	UP#	write strobe switch, predefined value in DI REGISTER	ns
IP36	Controls hold time for write	Tdchw	DOWN#	write strobe release, predefined value in DI REGISTER	ns
IP37	Slave device data delay <sup>1</sup>	Tracc	Delay of incoming data	Physical delay of display's data, defined from Read access local start point	ns
IP38	Slave device data hold time <sup>3</sup>	Troh	Hold time of data on the buss	Time that display read data is valid in input bus	ns
IP47	Read time point <sup>13</sup>	Tdrp	Data sampling point	Point of input data sampling by DI, predefined in DC Microcode	—

<sup>1</sup>This parameter is a requirement to the display connected to the IPU.

Table 71. Asynchronous Parallel Interface Timing Parameters (Access Level)

ID	Parameter	Symbol	Min	Typ <sup>1</sup>	Max	Unit
IP27	Read system cycle time	Tcycr	Tdicpr-1.5	Tdicpr <sup>2</sup>	Tdicpr+1.5	ns
IP28	Write system cycle time	Tcyw	Tdicpw-1.5	Tdicpw <sup>3</sup>	Tdicpw+1.5	ns
IP29	RS start	Tdcrr	Tdicurs-1.5	Tdicurs	Tdicurs+1.5	ns
IP30	CS start	Tdcsc	Tdicucs-1.5	Tdicur	Tdicucs+1.5	ns
IP31	CS hold	Tdchc	Tdicdcs-Tdicucs-1.5	Tdicdcs <sup>4</sup> -Tdicucs <sup>5</sup>	Tdicdcs-Tdicucs+1.5	ns
IP32	RS hold	Tdchrr	Tdicdrs-Tdicurs-1.5	Tdicdrs <sup>6</sup> -Tdicurs <sup>7</sup>	Tdicdrs-Tdicurs+1.5	ns
IP33	Controls setup time for read	Tdcscr	Tdicur-1.5	Tdicur	Tdicur+1.5	ns
IP34	Controls hold time for read	Tdchr	Tdicdr-Tdicur-1.5	Tdicdr <sup>8</sup> -Tdicur <sup>9</sup>	Tdicdr-Tdicur+1.5	ns
IP35	Controls setup time for write	Tdcsw	Tdicuw-1.5	Tdicuw	Tdicuw+1.5	ns
IP36	Controls hold time for write	Tdchw	Tdicdw-Tdicuw-1.5	Tdicpw <sup>10</sup> -Tdicuw <sup>11</sup>	Tdicdw-Tdicuw+1.5	ns
IP37	Slave device data delay <sup>12</sup>	Tracc	0	—	Tdrp <sup>13</sup> -Tlbd <sup>14</sup> -Tdicur-1.5	ns
IP38	Slave device data hold time <sup>8</sup>	Troh	Tdrp-Tlbd-Tdicdr+1.5	—	Tdicpr-Tdicdr-1.5	ns

Table 71. Asynchronous Parallel Interface Timing Parameters (Access Level) (continued)

ID	Parameter	Symbol	Min	Typ <sup>1</sup>	Max	Unit
IP39	Setup time for wait signal	Tswait	—	—	—	—
IP47	Read time point <sup>13</sup>	Tdrp	Tdrp-1.5	Tdrp	Tdrp+1.5	ns

<sup>1</sup>The exact conditions have not been finalized, but will likely match the current customer requirement for their specific display. These conditions may be chip specific.

<sup>2</sup>Display period value for read

$$T_{dicpr} = T_{DI\_CLK} \times \text{ceil} \left[ \frac{DI\_ACCESS\_SIZE\_#}{DI\_CLK\_PERIOD} \right]$$

ACCESS\_SIZE is predefined in REGISTER

<sup>3</sup>Display period value for write

$$T_{dicpw} = T_{DI\_CLK} \times \text{ceil} \left[ \frac{DI\_ACCESS\_SIZE\_#}{DI\_CLK\_PERIOD} \right]$$

ACCESS\_SIZE is predefined in REGISTER

<sup>4</sup>Display control down for CS

$$T_{dicdcs} = \frac{1}{2} \left( T_{DI\_CLK} \times \text{ceil} \left[ \frac{2 \times DISP\_DOWN\_#}{DI\_CLK\_PERIOD} \right] \right)$$

DISP\_DOWN is predefined in REGISTER

<sup>5</sup>Display control up for CS

$$T_{dicucs} = \frac{1}{2} \left( T_{DI\_CLK} \times \text{ceil} \left[ \frac{2 \times DISP\_UP\_#}{DI\_CLK\_PERIOD} \right] \right)$$

DISP\_UP is predefined in REGISTER

<sup>6</sup>Display control down for RS

$$T_{dicdrs} = \frac{1}{2} \left( T_{DI\_CLK} \times \text{ceil} \left[ \frac{2 \times DISP\_DOWN\_#}{DI\_CLK\_PERIOD} \right] \right)$$

DISP\_DOWN is predefined in REGISTER

<sup>7</sup>Display control up for RS

$$T_{dicurs} = \frac{1}{2} \left( T_{DI\_CLK} \times \text{ceil} \left[ \frac{2 \times DISP\_UP\_#}{DI\_CLK\_PERIOD} \right] \right)$$

DISP\_UP is predefined in REGISTER

<sup>8</sup>Display control down for read

$$T_{dicdr} = \frac{1}{2} \left( T_{DI\_CLK} \times \text{ceil} \left[ \frac{2 \times DISP\_DOWN\_#}{DI\_CLK\_PERIOD} \right] \right)$$

DISP\_DOWN is predefined in REGISTER

## Electrical Characteristics

<sup>9</sup>Display control up for read

$$T_{dicur} = \frac{1}{2} \left( T_{DI\_CLK} \times \text{ceil} \left[ \frac{2 \times \text{DISP\_UP\_}\#}{DI\_CLK\_PERIOD} \right] \right)$$

DISP\_UP is predefined in REGISTER

<sup>10</sup>Display control down for read

$$T_{dicdrw} = \frac{1}{2} \left( T_{DI\_CLK} \times \text{ceil} \left[ \frac{2 \times \text{DISP\_DOWN\_}\#}{DI\_CLK\_PERIOD} \right] \right)$$

DISP\_DOWN is predefined in REGISTER

<sup>11</sup>Display control up for write

$$T_{dicuw} = \frac{1}{2} \left( T_{DI\_CLK} \times \text{ceil} \left[ \frac{2 \times \text{DISP\_UP\_}\#}{DI\_CLK\_PERIOD} \right] \right)$$

DISP\_UP is predefined in REGISTER

<sup>12</sup>This parameter is a requirement to the display connected to the IPU

<sup>13</sup>Data read point

$$T_{drp} = T_{DI\_CLK} \times \text{ceil} \left[ \frac{\text{DISP}\#\_{READ\_EN}}{DI\_CLK\_PERIOD} \right]$$

**Note:** DISP#\_READ\_EN—operand of DC's MICROCODE READ command to sample incoming data

<sup>14</sup>Loop back delay T<sub>lbd</sub> is the cumulative propagation delay of read controls and read data. It includes an IPU output delay, a chip-level output delay, board delays, a chip-level input delay, an IPU input delay. This value is chip specific.

### 3.7.8.8 Standard Serial Interfaces

The IPU supports the following types of asynchronous serial interfaces:

1. 3-wire (with bidirectional data line).
2. 4-wire (with separate data input and output lines).
3. 5-wire type 1 (with sampling RS by the serial clock).
4. 5-wire type 2 (with sampling RS by the chip select signal).

The IPU has four independent outputs and one input. The port can be configured to provide 3, 4, or 5-wire interfaces.

**Figure 61** depicts the timing diagram of the 3-wire serial interface. The timing diagrams correspond to active-low IPP#\_CS signal and the straight polarity of the IPP\_CLK signal.

For this interface, a bidirectional data line is used outside the chip. The IPU still uses separate input and output data lines (IPP\_IND\_DISP<sub>B</sub>\_SD\_D and IPP\_DO\_DISP<sub>B</sub>\_SD\_D). The I/O mux should provide joining the internal data lines to the bidirectional external line according to the IPP\_OBE\_DISP<sub>B</sub>\_SD\_D signal provided by the IPU.

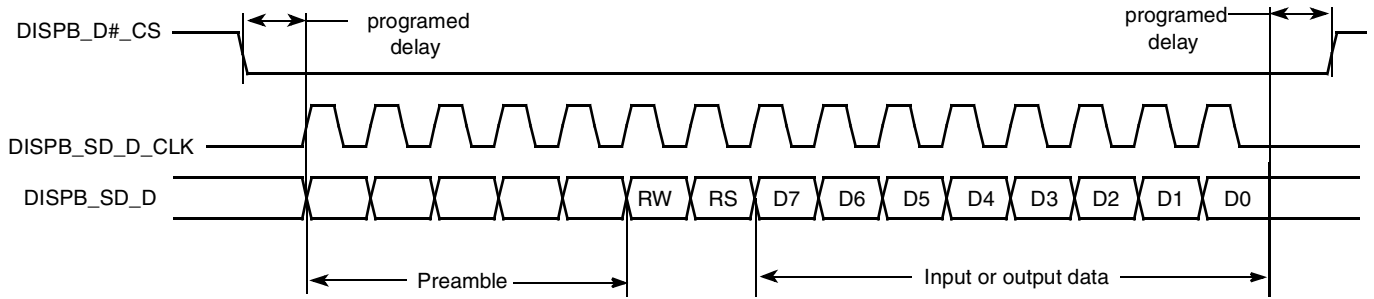


Figure 61. 3-Wire Serial Interface Timing Diagram

Figure 62 depicts timing diagram of the 4-wire serial interface. For this interface, there are separate input and output data lines both inside and outside the chip.

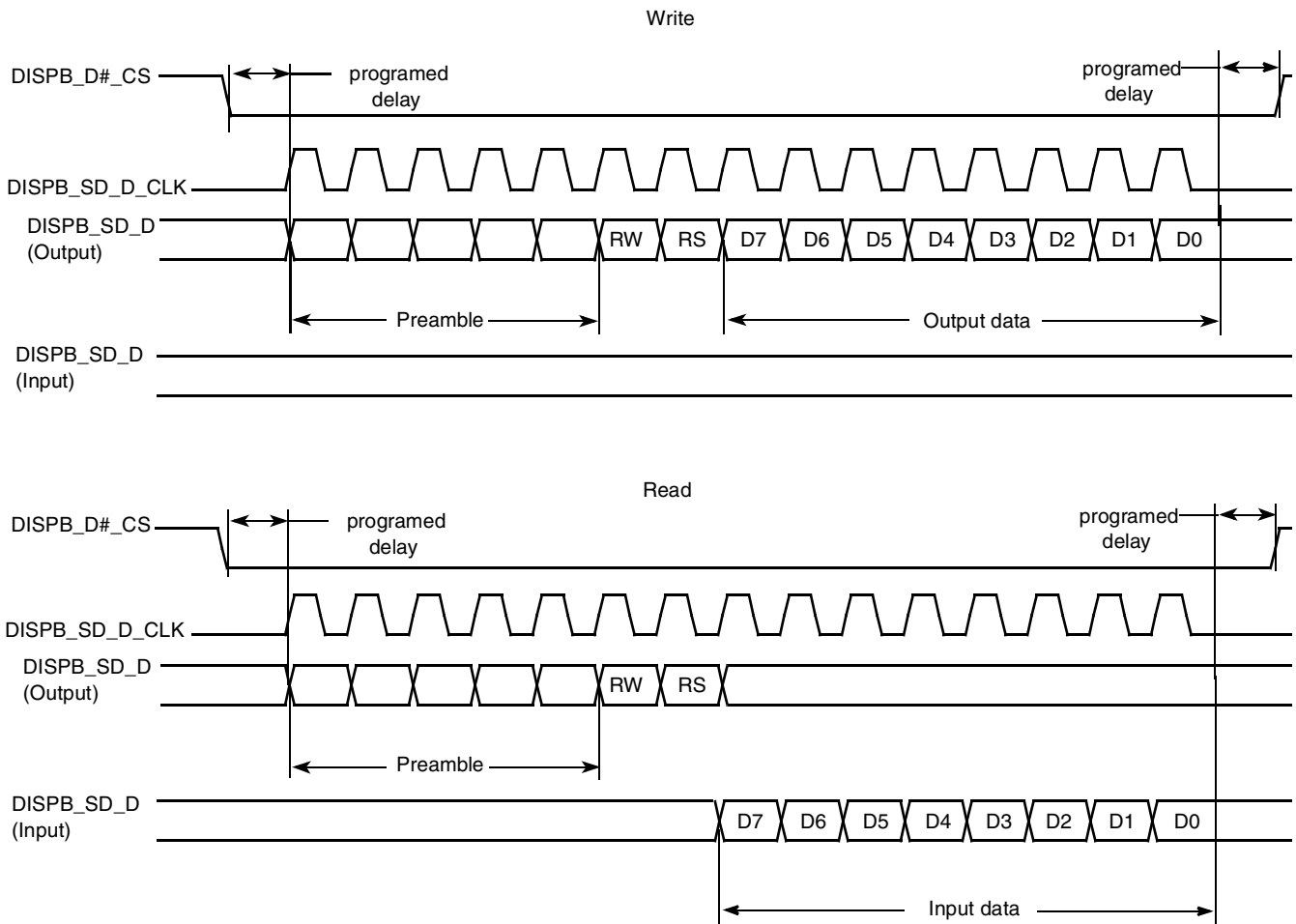


Figure 62. 4-Wire Serial Interface Timing Diagram

Figure 63 depicts timing of the 5-wire serial interface. For this interface, a separate RS line is added.

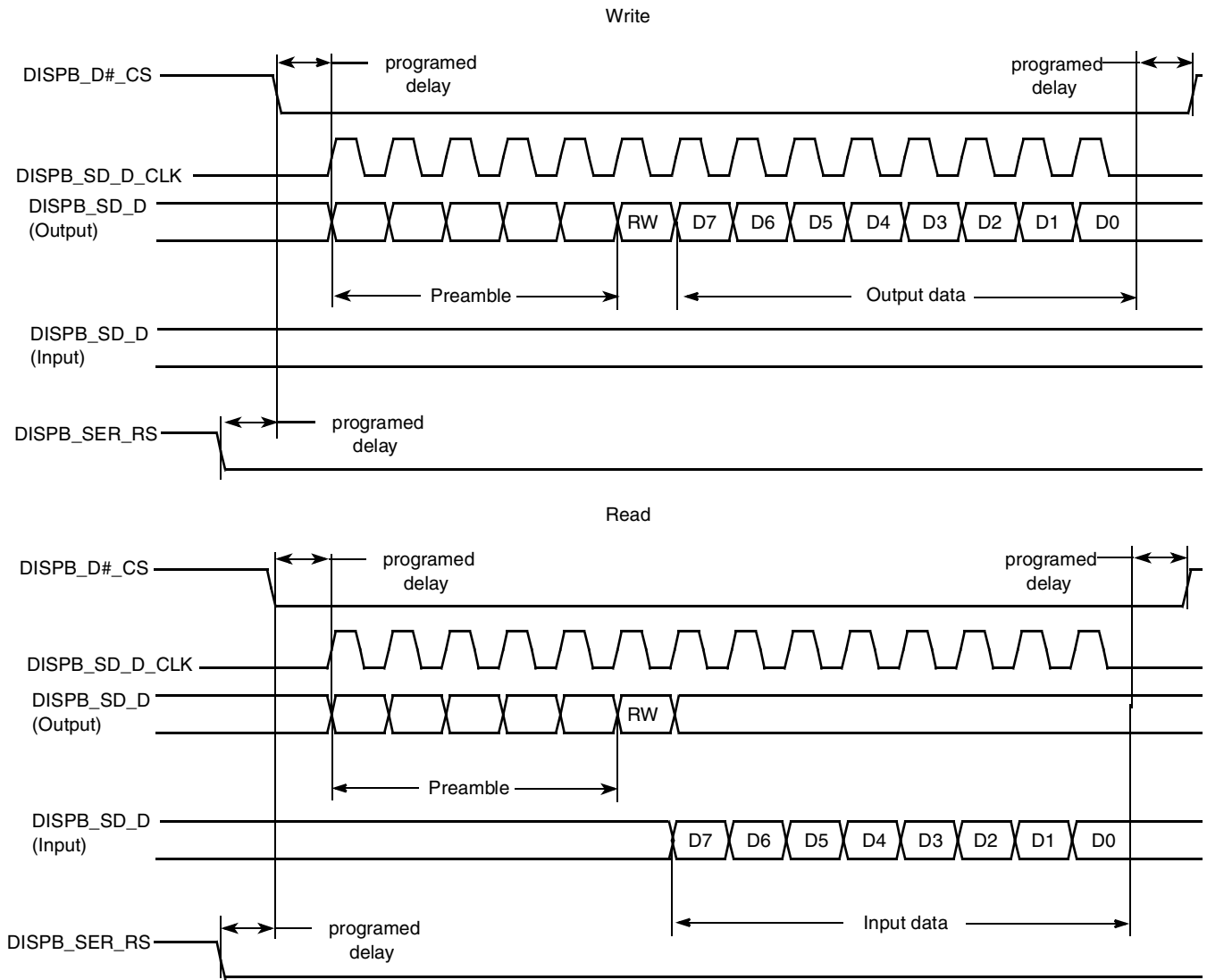


Figure 63. 5-Wire Serial Interface Timing Diagram

Because of an order from the United States International Trade Commission, BGA-packaged product lines and part numbers indicated here currently are not available from Freescale for import or sale in the United States prior to September 2010: MCIMX512DVK8C, MCIMX513DVK8C, MCIMX515DVK8C, and MCIMX511DVK8C.

3.7.8.8.1 Asynchronous Serial Interface Timing Parameters

Figure 64 depicts timing of the serial interface. Table 72 shows timing characteristics at display access level.

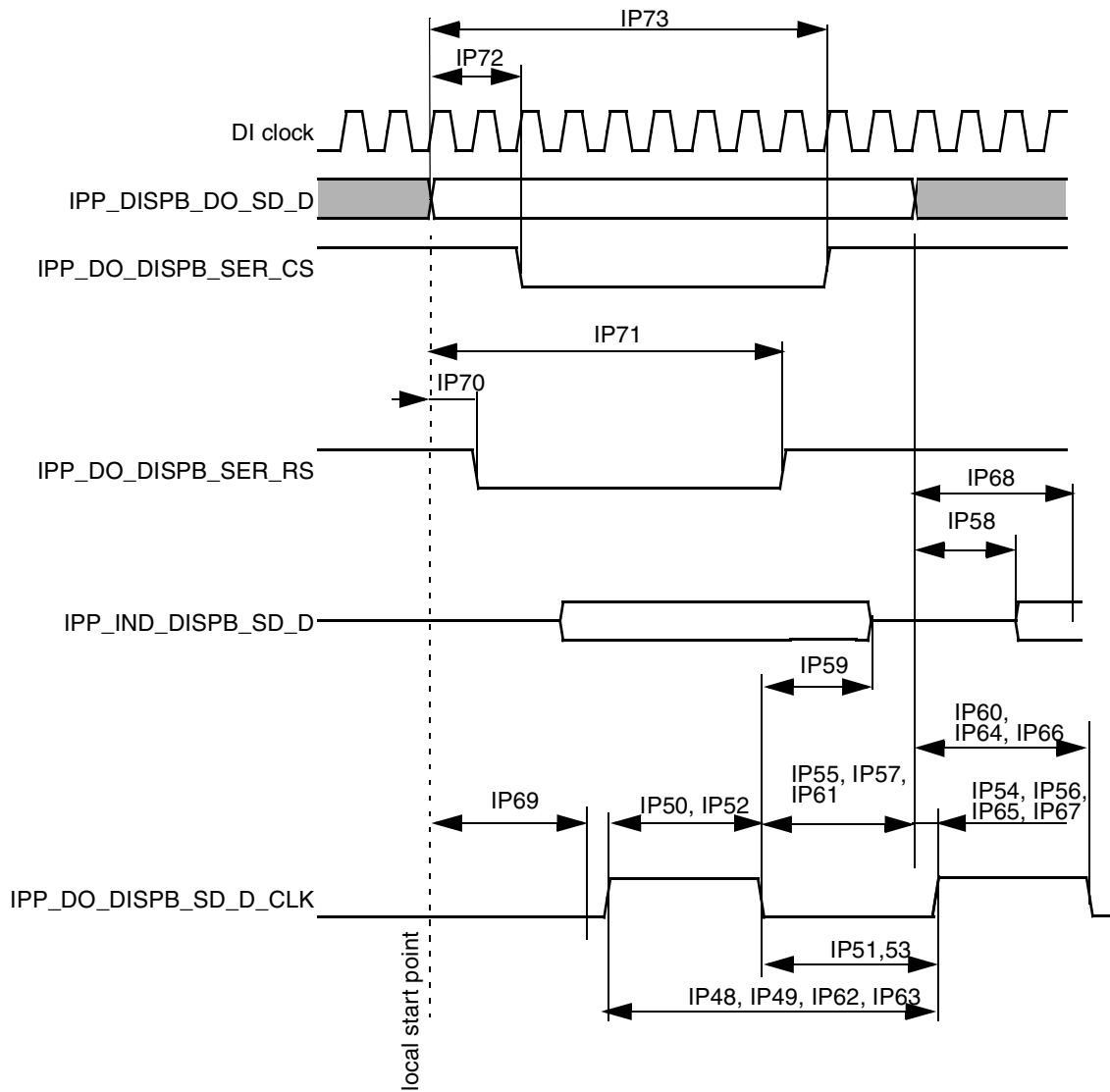


Figure 64. Asynchronous Serial Interface Timing Diagram

Table 72. Asynchronous Serial Interface Timing Characteristics (Access Level)

ID	Parameter	Symbol	Min	Typ <sup>1</sup>	Max	Unit
IP48	Read system cycle time	T <sub>cycr</sub>	T <sub>dicpr</sub> -1.5	T <sub>dicpr</sub> <sup>2</sup>	T <sub>dicpr</sub> +1.5	ns
IP49	Write system cycle time	T <sub>cyw</sub>	T <sub>dicpw</sub> -1.5	T <sub>dicpw</sub> <sup>3</sup>	T <sub>dicpw</sub> +1.5	ns
IP50	Read clock low pulse width	T <sub>rl</sub>	T <sub>dicdr</sub> -T <sub>dicur</sub> -1.5	T <sub>dicdr</sub> <sup>4</sup> -T <sub>dicur</sub> <sup>5</sup>	T <sub>dicdr</sub> -T <sub>dicur</sub> +1.5	ns
IP51	Read clock high pulse width	T <sub>rh</sub>	T <sub>dicpr</sub> -T <sub>dicdr</sub> +T <sub>dicur</sub> -1.5	T <sub>dicpr</sub> -T <sub>dicdr</sub> +T <sub>dicur</sub>	T <sub>dicpr</sub> -T <sub>dicdr</sub> +T <sub>dicur</sub> +1.5	ns

Table 72. Asynchronous Serial Interface Timing Characteristics (Access Level) (continued)

ID	Parameter	Symbol	Min	Typ <sup>1</sup>	Max	Unit
IP52	Write clock low pulse width	Twl	Tdicdw–Tdicuw–1.5	Tdicdw <sup>6</sup> –Tdicuw <sup>7</sup>	Tdicdw–Tdicuw+1.5	ns
IP53	Write clock high pulse width	Twh	Tdicpw–Tdicdw+ Tdicuw–1.5	Tdicpw–Tdicdw+ Tdicuw	Tdicpw–Tdicdw+ Tdicuw+1.5	ns
IP54	Controls setup time for read	Tdcsr	Tdicur–1.5	Tdicur	—	ns
IP55	Controls hold time for read	Tdchr	Tdicpr–Tdicdr–1.5	Tdicpr–Tdicdr	—	ns
IP56	Controls setup time for write	Tdcsw	Tdicuw–1.5	Tdicuw	—	ns
IP57	Controls hold time for write	Tdchw	Tdicpw–Tdicdw–1.5	Tdicpw–Tdicdw	—	ns
IP58	Slave device data delay <sup>8</sup>	Tracc	0	—	Tdrp <sup>9</sup> –Tlbd <sup>10</sup> –Tdicur–1.5	ns
IP59	Slave device data hold time <sup>8</sup>	Troh	Tdrp–Tlbd–Tdicdr+1.5	—	Tdicpr–Tdicdr–1.5	ns
IP60	Write data setup time	Tds	Tdicdw–1.5	Tdicdw	—	ns
IP61	Write data hold time	Tdh	Tdicpw–Tdicdw–1.5	Tdicpw–Tdicdw	—	ns
IP62	Read period <sup>2</sup>	Tdicpr	Tdicpr–1.5	Tdicpr	Tdicpr+1.5	ns
IP63	Write period <sup>3</sup>	Tdicpw	Tdicpw–1.5	Tdicpw	Tdicpw+1.5	ns
IP64	Read down time <sup>4</sup>	Tdicdr	Tdicdr–1.5	Tdicdr	Tdicdr+1.5	ns
IP65	Read up time <sup>5</sup>	Tdicur	Tdicur–1.5	Tdicur	Tdicur+1.5	ns
IP66	Write down time <sup>6</sup>	Tdicdw	Tdicdw–1.5	Tdicdw	Tdicdw+1.5	ns
IP67	Write up time <sup>7</sup>	Tdicuw	Tdicuw–1.5	Tdicuw	Tdicuw+1.5	ns
IP68	Read time point <sup>9</sup>	Tdrp	Tdrp–1.5	Tdrp	Tdrp+1.5	ns
IP69	Clock offset <sup>11</sup>	Toclk	Toclk–1.5	Toclk	Toclk+1.5	ns
IP70	RS up time <sup>12</sup>	Tdicurs	Tdicurs–1.5	Tdicurs	Tdicurs+1.5	ns
IP71	RS down time <sup>13</sup>	Tdicdrs	Tdicdrs –1.5	Tdicdrs	Tdicdrs+1.5	ns
IP72	CS up time <sup>14</sup>	Tdicucs	Tdicucs –1.5	Tdicucs	Tdicucs+1.5	ns
IP73	CS down time <sup>15</sup>	Tdicdcs	Tdicdcs –1.5	Tdicdcs	Tdicdcs+1.5	ns

<sup>1</sup>The exact conditions have not been finalized, but will likely match the current customer requirement for their specific display. These conditions may be chip specific.

<sup>2</sup>Display interface clock period value for read

$$T_{dicpr} = T_{DI\_CLK} \times \text{ceil} \left[ \frac{DISP\#\_IF\_CLK\_PER\_RD}{DI\_CLK\_PERIOD} \right]$$

<sup>3</sup>Display interface clock period value for write

$$T_{dicpw} = T_{DI\_CLK} \times \text{ceil} \left[ \frac{DISP\#\_IF\_CLK\_PER\_WR}{DI\_CLK\_PERIOD} \right]$$



<sup>4</sup>Display interface clock down time for read

$$T_{dicdr} = \frac{1}{2} \left( T_{DI\_CLK} \times \text{ceil} \left[ \frac{2 \times \text{DISP\_DOWN\_}\#}{DI\_CLK\_PERIOD} \right] \right)$$

<sup>5</sup>Display interface clock up time for read

$$T_{dicur} = \frac{1}{2} \left( T_{DI\_CLK} \times \text{ceil} \left[ \frac{2 \times \text{DISP\_UP\_}\#}{DI\_CLK\_PERIOD} \right] \right)$$

<sup>6</sup>Display interface clock down time for write

$$T_{dicdw} = \frac{1}{2} \left( T_{DI\_CLK} \times \text{ceil} \left[ \frac{2 \times \text{DISP\_DOWN\_}\#}{DI\_CLK\_PERIOD} \right] \right)$$

<sup>7</sup>Display interface clock up time for write

$$T_{dicuw} = \frac{1}{2} \left( T_{DI\_CLK} \times \text{ceil} \left[ \frac{2 \times \text{DISP\_UP\_}\#}{DI\_CLK\_PERIOD} \right] \right)$$

<sup>8</sup>This parameter is a requirement to the display connected to the IPU

<sup>9</sup>Data read point

$$T_{drp} = T_{DI\_CLK} \times \text{ceil} \left[ \frac{\text{DISP\_READ\_EN}}{DI\_CLK\_PERIOD} \right]$$

DISP\_RD\_EN is predefined in REGISTER

<sup>10</sup>Loop back delay  $T_{lbd}$  is the cumulative propagation delay of read controls and read data. It includes an IPU output delay, a chip-level output delay, board delays, a chip-level input delay, an IPU input delay. This value is chip specific.

<sup>11</sup>Display interface clock offset value

$$T_{oclk} = T_{DI\_CLK} \times \text{ceil} \left[ \frac{\text{DISP\_CLK\_OFFSET}}{DI\_CLK\_PERIOD} \right]$$

CLK\_OFFSET is predefined in REGISTER

<sup>12</sup>Display RS up time

$$T_{dicurs} = T_{DI\_CLK} \times \text{ceil} \left[ \frac{\text{DISP\_RS\_UP\_}\#}{DI\_CLK\_PERIOD} \right]$$

DISP\_RS\_UP is predefined in REGISTER

<sup>13</sup>Display RS down time

$$T_{dicdrs} = T_{DI\_CLK} \times \text{ceil} \left[ \frac{\text{DISP\_RS\_DOWN\_}\#}{DI\_CLK\_PERIOD} \right]$$

DISP\_RS\_DOWN is predefined in REGISTER

<sup>14</sup>Display RS up time

$$T_{dicucs} = T_{DI\_CLK} \times \text{ceil} \left[ \frac{\text{DISP\_CS\_UP\_}\#}{DI\_CLK\_PERIOD} \right]$$

DISP\_CS\_UP is predefined in REGISTER

## Electrical Characteristics

<sup>15</sup>Display RS down time

$$T_{dics} = (T_{DI\_CLK} \times \text{ceil}) \left[ \frac{DISP\_CS\_DOWN\_#}{DI\_CLK\_PERIOD} \right]$$

DISP\_CS\_DOWN is predefined in REGISTER.

### 3.7.9 1-Wire Timing Parameters

Figure 65 depicts the RPP timing, and Table 73 lists the RPP timing parameters.

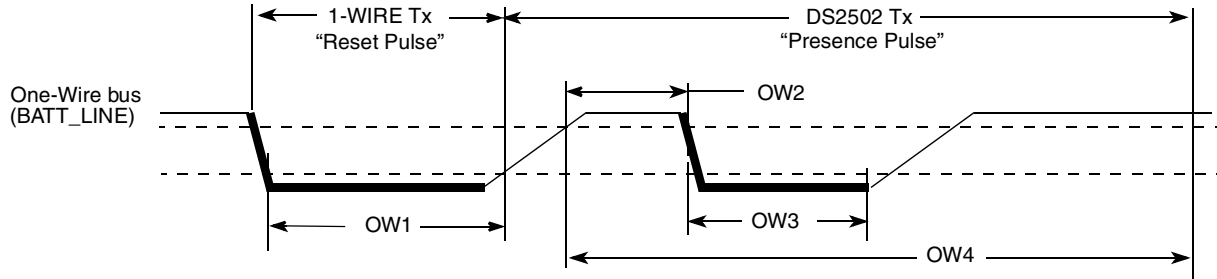


Figure 65. Reset and Presence Pulses (RPP) Timing Diagram

Table 73. RPP Sequence Delay Comparisons Timing Parameters

ID	Parameters	Symbol	Min	Typ	Max	Unit
OW1	Reset Time Low	$t_{RSTL}$	480	511	—	$\mu\text{s}$
OW2	Presence Detect High	$t_{PDH}$	15	—	60	$\mu\text{s}$
OW3	Presence Detect Low	$t_{PDL}$	60	—	240	$\mu\text{s}$
OW4	Reset Time High	$t_{RSTH}$	480	512	—	$\mu\text{s}$

Figure 66 depicts Write 0 Sequence timing, and Table 74 lists the timing parameters.

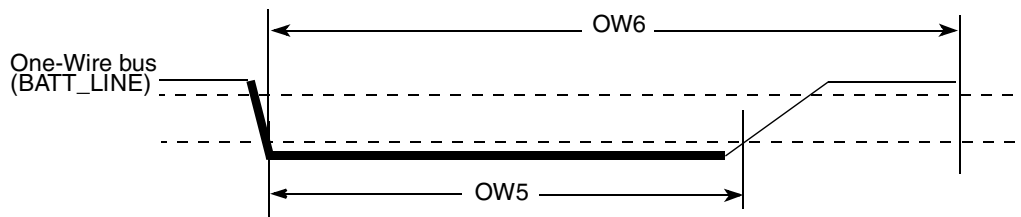


Figure 66. Write 0 Sequence Timing Diagram

Table 74. WR0 Sequence Timing Parameters

ID	Parameter	Symbol	Min	Typ	Max	Unit
OW5	Write 0 Low Time	$t_{WR0\_low}$	60	100	120	$\mu\text{s}$
OW6	Transmission Time Slot	$t_{SLOT}$	OW5	117	120	$\mu\text{s}$

Figure 67 depicts Write 1 Sequence timing, Figure 68 depicts the Read Sequence timing, and Table 75 lists the timing parameters.

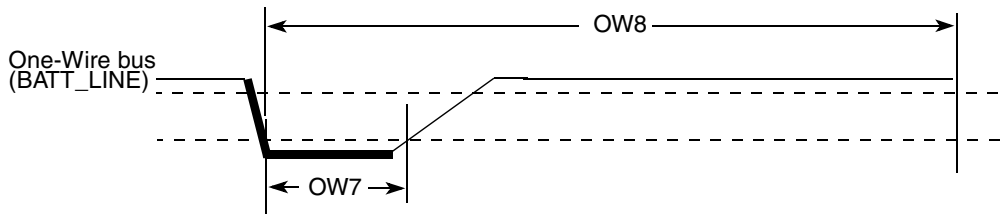


Figure 67. Write 1 Sequence Timing Diagram

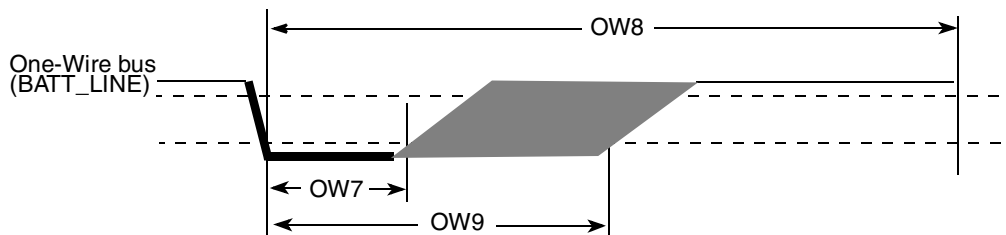


Figure 68. Read Sequence Timing Diagram

Table 75. WR1 /RD Timing Parameters

ID	Parameter	Symbol	Min	Typ	Max	Unit
OW7	Write /Read Low Time	$t_{LOW1}$	1	5	15	$\mu\text{s}$
OW8	Transmission Time Slot	$t_{SLOT}$	60	117	120	$\mu\text{s}$
OW9	Release Time	$t_{RELEASE}$	15	—	45	$\mu\text{s}$

### 3.7.10 Pulse Width Modulator (PWM) Timing Parameters

This section describes the electrical information of the PWM. The PWM can be programmed to select one of three clock signals as its source frequency. The selected clock signal is passed through a prescaler before being input to the counter. The output is available at the pulse-width modulator output (PWMO) external pin.

Figure 69 depicts the timing of the PWM, and Table 76 lists the PWM timing parameters.

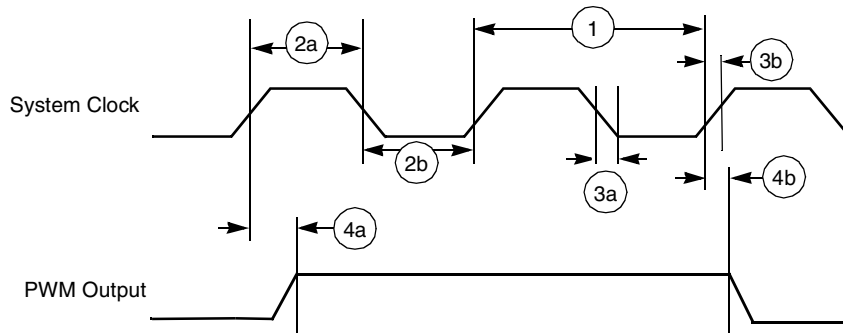


Figure 69. PWM Timing

Table 76. PWM Output Timing Parameter

Ref. No.	Parameter	Min	Max	Unit
1	System CLK frequency <sup>1</sup>	0	ipg_clk	MHz
2a	Clock high time	12.29	—	ns
2b	Clock low time	9.91	—	ns
3a	Clock fall time	—	0.5	ns
3b	Clock rise time	—	0.5	ns
4a	Output delay time	—	9.37	ns
4b	Output setup time	8.71	—	ns

<sup>1</sup> CL of PWMO = 30 pF

### 3.7.11 P-ATA Timing Parameters

This section describes the timing parameters of the Parallel ATA module which are compliant with ATA/ATAPI-6 specification.

Parallel ATA module can work on PIO/Multi-Word DMA/Ultra DMA transfer modes. Each transfer mode has different data transfer rate, Ultra DMA mode 4 data transfer rate is up to 100MB/s. Parallel ATA module interface consist of a total of 29 pins, Some pins act on different function in different transfer mode. There are different requirements of timing relationships among the function pins conform with ATA/ATAPI-6 specification and these requirements are configurable by the ATA module registers.

Table 77 and Figure 70 define the AC characteristics of all the P-ATA interface signals on all data transfer modes.

ATA Interface Signals

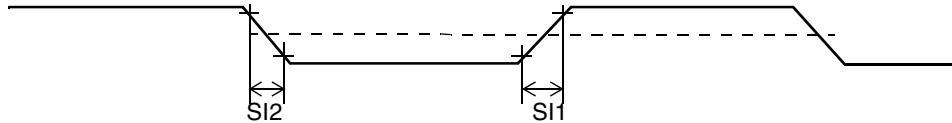


Figure 70. P-ATA Interface Signals Timing Diagram

Table 77. AC Characteristics of All Interface Signals

ID	Parameter	Symbol	Min	Max	Unit
SI1	Rising edge slew rate for any signal on ATA interface. <sup>1</sup>	$S_{rise}$	—	1.25	V/ns
SI2	Falling edge slew rate for any signal on ATA interface (see note)	$S_{fall}$	—	1.25	V/ns
SI3	Host interface signal capacitance at the host connector	$C_{host}$	—	20	pF

<sup>1</sup> SRISE and SFALL shall meet this requirement when measured at the sender's connector from 10–90% of full signal amplitude with all capacitive loads from 15–40 pF where all signals have the same capacitive load value.

The user needs to use level shifters for 5.0 V compatibility on the ATA interface. The i.MX51 P-ATA interface is 3.3 V compatible.

The use of bus buffers introduces delay on the bus and introduces skew between signal lines. These factors make it difficult to operate the bus at the highest speed (UDMA-5) when bus buffers are used. If fast UDMA mode operation is needed, this may not be compatible with bus buffers.

Another area of attention is the slew rate limit imposed by the ATA specification on the ATA bus. According to this limit, any signal driven on the bus should have a slew rate between 0.4 and 1.2 V/ns with a 40 pF load. Not many vendors of bus buffers specify slew rate of the outgoing signals.

When bus buffers are used, the ata\_data bus buffer is special. This is a bidirectional bus buffer, so a direction control signal is needed. This direction control signal is ata\_buffer\_en. When its high, the bus should drive from host to device. When its low, the bus should drive from device to host. Steering of the signal is such that contention on the host and device tri-state busses is always avoided.

## Electrical Characteristics

In the timing equations, some timing parameters are used. These parameters depend on the implementation of the i.MX51 P-ATA interface on silicon, the bus buffer used, the cable delay and cable skew. Table 78 shows ATA timing parameters.

**Table 78. P-ATA Timing Parameters**

Name	Description	Value/ Contributing Factor <sup>1</sup>
T	Bus clock period (ipg_clk_ata)	Peripheral clock frequency
ti_ds	Set-up time ata_data to ata_iordy edge (UDMA-in only)  UDMA0 UDMA1 UDMA2, UDMA3 UDMA4 UDMA5	15 ns 10 ns 7 ns 5 ns 4 ns
ti_dh	Hold time ata_iordy edge to ata_data (UDMA-in only) UDMA0, UDMA1, UDMA2, UDMA3, UDMA4 UDMA5	5.0 ns 4.6 ns
tco	Propagation delay bus clock L-to-H to ata_cs0, ata_cs1, ata_da2, ata_da1, ata_da0, ata_dior, ata_diow, ata_dmack, ata_data, ata_buffer_en	12.0 ns
tsu	Set-up time ata_data to bus clock L-to-H	8.5 ns
tsui	Set-up time ata_iordy to bus clock H-to-L	8.5 ns
thi	Hold time ata_iordy to bus clock H to L	2.5 ns
tskew1	Max difference in propagation delay bus clock L-to-H to any of following signals ata_cs0, ata_cs1, ata_da2, ata_da1, ata_da0, ata_dior, ata_diow, ata_dmack, ata_data (write), ata_buffer_en	7 ns
tskew2	Max difference in buffer propagation delay for any of following signals ata_cs0, ata_cs1, ata_da2, ata_da1, ata_da0, ata_dior, ata_diow, ata_dmack, ata_data (write), ata_buffer_en	Transceiver
tskew3	Max difference in buffer propagation delay for any of following signals ata_iordy, ata_data (read)	Transceiver
tbuf	Max buffer propagation delay	Transceiver
tcable1	Cable propagation delay for ata_data	Cable
tcable2	Cable propagation delay for control signals ata_dior, ata_diow, ata_iordy, ata_dmack	Cable
tskew4	Max difference in cable propagation delay between ata_iordy and ata_data (read)	Cable
tskew5	Max difference in cable propagation delay between (ata_dior, ata_diow, ata_dmack) and ata_cs0, ata_cs1, ata_da2, ata_da1, ata_da0, ata_data(write)	Cable
tskew6	Max difference in cable propagation delay without accounting for ground bounce	Cable

<sup>1</sup> Values provided where applicable.

### 3.7.11.1 PIO Mode Read Timing

Figure 71 shows timing for PIO read, and Table 79 lists the timing parameters for PIO read.

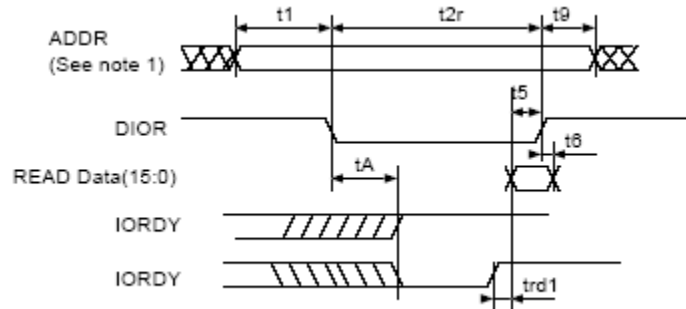


Figure 71. PIO Read Timing Diagram

Table 79. PIO Read Timing Parameters

ATA Parameter	Parameter from Figure 71	Value	Controlling Variable
t1	t1	$t1 \text{ (min)} = \text{time\_1} \times T - (\text{tskew1} + \text{tskew2} + \text{tskew5})$	time_1
t2	t2r	$t2 \text{ min} = \text{time\_2r} \times T - (\text{tskew1} + \text{tskew2} + \text{tskew5})$	time_2r
t9	t9	$t9 \text{ (min)} = \text{time\_9} \times T - (\text{tskew1} + \text{tskew2} + \text{tskew6})$	time_3
t5	t5	$t5 \text{ (min)} = t_{co} + t_{su} + t_{buf} + t_{buf} + t_{cable1} + t_{cable2}$	If not met, increase time_2
t6	t6	0	—
tA	tA	$tA \text{ (min)} = (1.5 + \text{time\_ax}) \times T - (t_{co} + t_{sui} + t_{cable2} + t_{cable2} + 2 \times t_{buf})$	time_ax
trd	trd1	$\text{trd1 (max)} = (-\text{trd}) + (\text{tskew3} + \text{tskew4})$ $\text{trd1 (min)} = (\text{time\_pio\_rdx} - 0.5) \times T - (t_{su} + t_{thi})$ $(\text{time\_pio\_rdx} - 0.5) \times T > t_{su} + t_{thi} + \text{tskew3} + \text{tskew4}$	time_pio_rdx
t0	—	$t0 \text{ (min)} = (\text{time\_1} + \text{time\_2} + \text{time\_9}) \times T$	time_1, time_2r, time_9

## Electrical Characteristics

Figure 72 shows timing for PIO write, and Table 80 lists the timing parameters for PIO write.

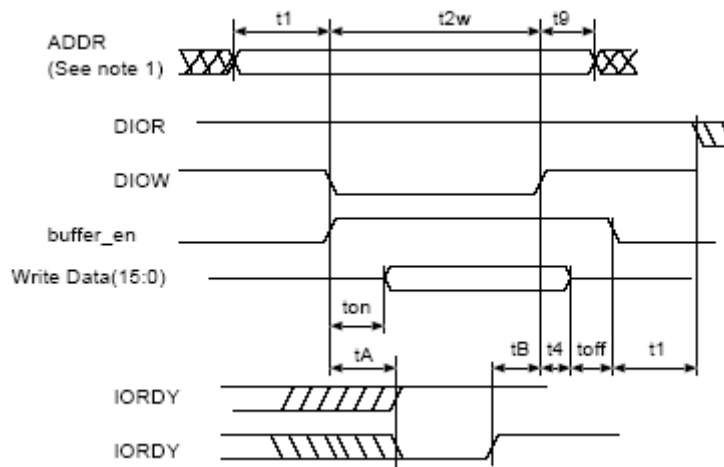


Figure 72. Multi-word DMA (MDMA) Timing

Table 80. PIO Write Timing Parameters

ATA Parameter	Parameter from Figure 72	Value	Controlling Variable
t1	t1	$t1 \text{ (min)} = \text{time\_1} \times T - (\text{tskew1} + \text{tskew2} + \text{tskew5})$	time_1
t2	t2w	$t2 \text{ (min)} = \text{time\_2w} \times T - (\text{tskew1} + \text{tskew2} + \text{tskew5})$	time_2w
t9	t9	$t9 \text{ (min)} = \text{time\_9} \times T - (\text{tskew1} + \text{tskew2} + \text{tskew6})$	time_9
t3	—	$t3 \text{ (min)} = (\text{time\_2w} - \text{time\_on}) \times T - (\text{tskew1} + \text{tskew2} + \text{tskew5})$	If not met, increase time_2w
t4	t4	$t4 \text{ (min)} = \text{time\_4} \times T - \text{tskew1}$	time_4
tA	tA	$tA = (1.5 + \text{time\_ax}) \times T - (\text{tco} + \text{tsui} + \text{tcable2} + \text{tcable2} + 2 \times \text{tbuf})$	time_ax
t0	—	$t0 \text{ (min)} = (\text{time\_1} + \text{time\_2} + \text{time\_9}) \times T$	time_1, time_2r, time_9
—	—	Avoid bus contention when switching buffer on by making ton long enough	—
—	—	Avoid bus contention when switching buffer off by making toff long enough	—



Figure 73 shows timing for MDMA read, Figure 74 shows timing for MDMA write, and Table 81 lists the timing parameters for MDMA read and write.

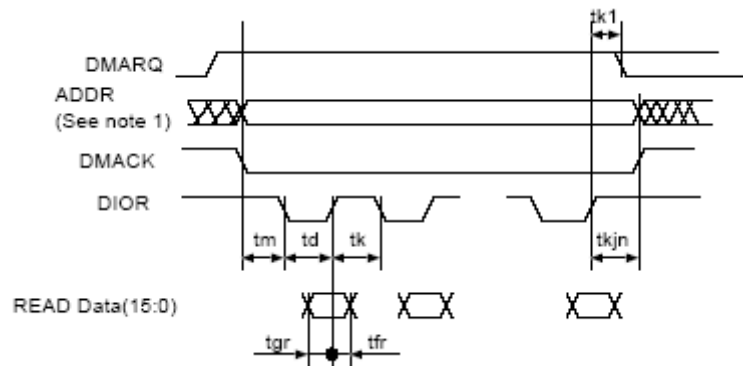


Figure 73. MDMA Read Timing Diagram

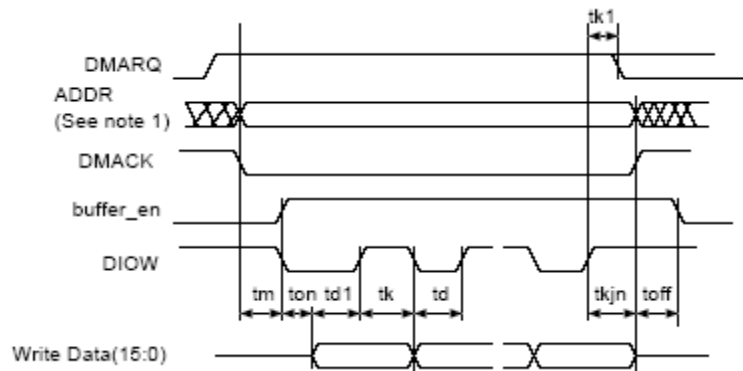


Figure 74. MDMA Write Timing Diagram

Table 81. MDMA Read and Write Timing Parameters

ATA Parameter	Parameter from Figure 73, Figure 74	Value	Controlling Variable
tm, ti	tm	$t_m(\text{min}) = t_i(\text{min}) = \text{time\_m} \times T - (\text{tskew1} + \text{tskew2} + \text{tskew5})$	time_m
td	td, td1	$td1(\text{min}) = t_d(\text{min}) = \text{time\_d} \times T - (\text{tskew1} + \text{tskew2} + \text{tskew6})$	time_d
tk	tk	$t_k(\text{min}) = \text{time\_k} \times T - (\text{tskew1} + \text{tskew2} + \text{tskew6})$	time_k
t0	—	$t_0(\text{min}) = (\text{time\_d} + \text{time\_k}) \times T$	time_d, time_k
tg(read)	tgr	$t_{gr}(\text{min-read}) = t_{co} + t_{su} + t_{buf} + t_{buf} + t_{cable1} + t_{cable2}$ $t_{gr}(\text{min-drive}) = t_d - t_e(\text{drive})$	time_d
tf(read)	tfr	$t_{fr}(\text{min-drive}) = 0$	—
tg(write)	—	$t_g(\text{min-write}) = \text{time\_d} \times T - (\text{tskew1} + \text{tskew2} + \text{tskew5})$	time_d
tf(write)	—	$t_f(\text{min-write}) = \text{time\_k} \times T - (\text{tskew1} + \text{tskew2} + \text{tskew6})$	time_k
tL	—	$t_L(\text{max}) = (\text{time\_d} + \text{time\_k} - 2) \times T - (t_{su} + t_{co} + 2 \times t_{buf} + 2 \times t_{cable2})$	time_d, time_k

Table 81. MDMA Read and Write Timing Parameters (continued)

ATA Parameter	Parameter from Figure 73, Figure 74	Value	Controlling Variable
tn, tj	tkjn	$tn = tj = tkjn = (\max(\text{time\_k}, \text{time\_jn}) \times T - (\text{tskew1} + \text{tskew2} + \text{tskew6}))$	time_jn
—	ton toff	ton = time_on × T – tskew1 toff = time_off × T – tskew1	—

### 3.7.11.2 Ultra DMA (UDMA) Input Timing

Figure 75 shows timing when the UDMA in transfer starts, Figure 76 shows timing when the UDMA in host terminates transfer, Figure 77 shows timing when the UDMA in device terminates transfer, and Table 82 lists the timing parameters for UDMA in burst.

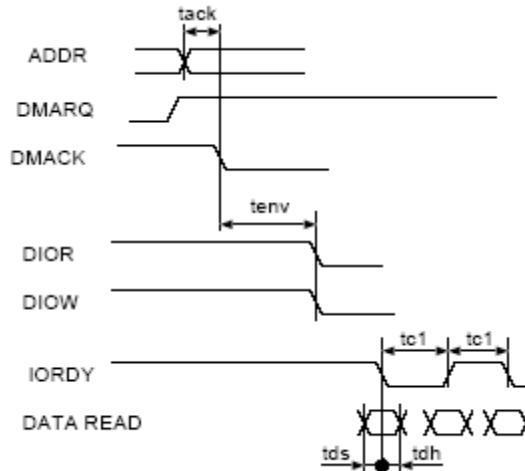


Figure 75. UDMA In Transfer Starts Timing Diagram

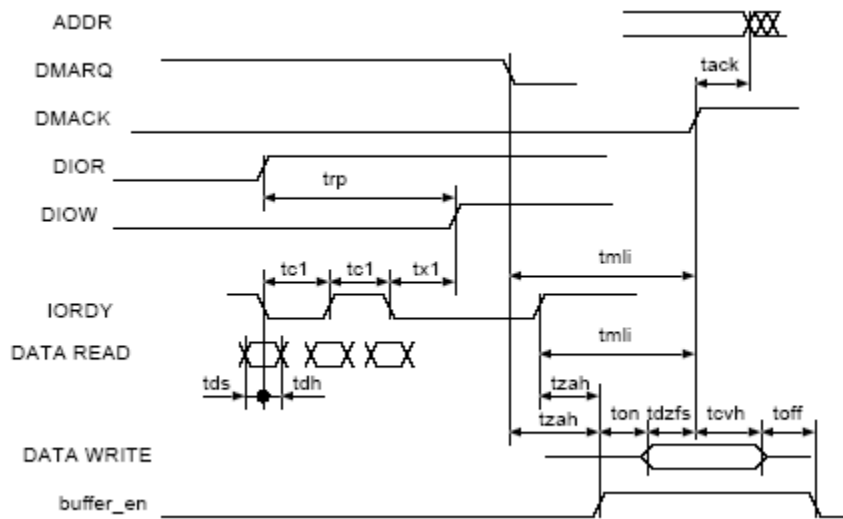


Figure 76. UDMA In Host Terminates Transfer Timing Diagram

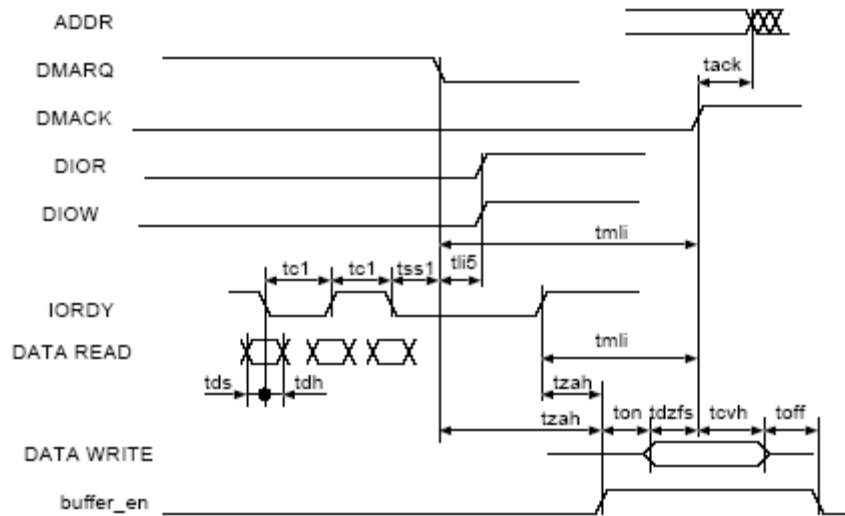


Figure 77. UDMA In Device Terminates Transfer Timing Diagram

Table 82. UDMA In Burst Timing Parameters

ATA Parameter	Parameter from Figure 75, Figure 76, Figure 77	Description	Controlling Variable
tack	tack	$tack (min) = (time\_ack \times T) - (tskew1 + tskew2)$	time_ack
tenv	tenv	$tenv (min) = (time\_env \times T) - (tskew1 + tskew2)$ $tenv (max) = (time\_env \times T) + (tskew1 + tskew2)$	time_env
tds	tds1	$tds - (tskew3) - ti\_ds > 0$	tskew3, ti_ds, ti_dh should be low enough
tdh	tdh1	$tdh - (tskew3) - ti\_dh > 0$	
tcyc	tc1	$(tcyc - tskew) > T$	T big enough
trp	trp	$trp (min) = time\_rp \times T - (tskew1 + tskew2 + tskew6)$	time_rp
—	tx1 <sup>1</sup>	$(time\_rp \times T) - (tco + tsu + 3T + 2 \times tbuf + 2 \times tcable2) > trfs (drive)$	time_rp
tml1	tml11	$tml11 (min) = (time\_mlix + 0.4) \times T$	time_mlix
tzah	tzah	$tzah (min) = (time\_zah + 0.4) \times T$	time_zah
tdzfs	tdzfs	$tdzfs = (time\_dzfs \times T) - (tskew1 + tskew2)$	time_dzfs
tcvh	tcvh	$tcvh = (time\_cvh \times T) - (tskew1 + tskew2)$	time_cvh
—	ton toff <sup>2</sup>	$ton = time\_on \times T - tskew1$ $toff = time\_off \times T - tskew1$	—

<sup>1</sup> There is a special timing requirement in the ATA host that requires the internal DIOW to go only high 3 clocks after the last active edge on the DSTROBE signal. The equation given on this line tries to capture this constraint.

<sup>2</sup> Make ton and toff big enough to avoid bus contention.

### 3.7.11.3 UDMA Output Timing

Figure 78 shows timing when the UDMA out transfer starts, Figure 79 shows timing when the UDMA out host terminates transfer, Figure 80 shows timing when the UDMA out device terminates transfer, and Table 83 lists the timing parameters for UDMA out burst.

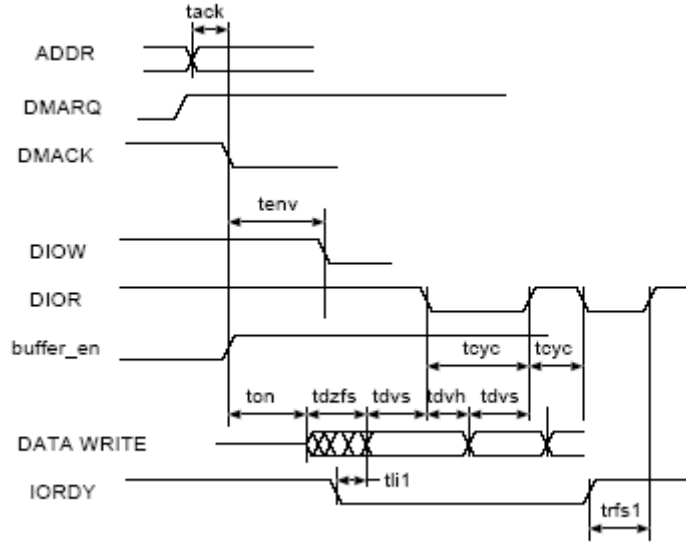


Figure 78. UDMA Out Transfer Starts Timing Diagram

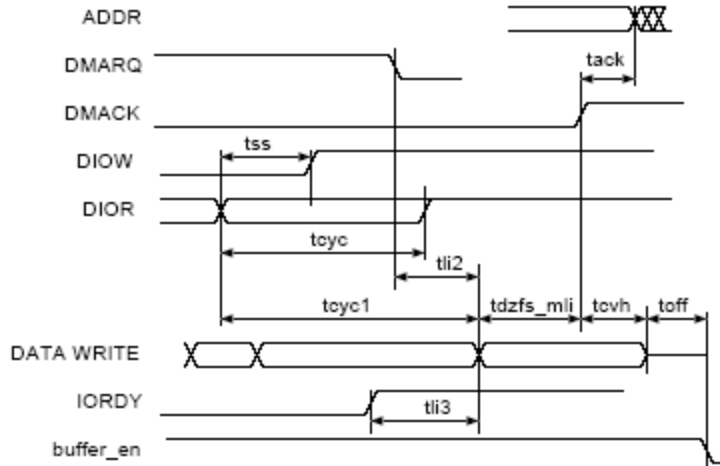


Figure 79. UDMA Out Host Terminates Transfer Timing Diagram

Because of an order from the United States International Trade Commission, BGA-packaged product lines and part numbers indicated here currently are not available from Freescale for import or sale in the United States prior to September 2010: MCIMX512DVK8C, MCIMX513DVK8C, MCIMX515DVK8C, and MCIMX511DVK8C.

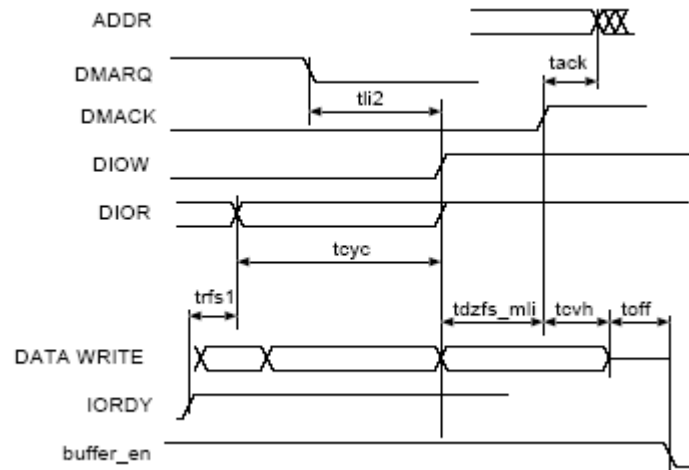


Figure 80. UDMA Out Device Terminates Transfer Timing Diagram

Table 83. UDMA Out Burst Timing Parameters

ATA Parameter	Parameter from Figure 78, Figure 79, Figure 80	Value	Controlling Variable
tack	tack	$tack (min) = (time\_ack \times T) - (tskew1 + tskew2)$	time_ack
tenv	tenv	$tenv (min) = (time\_env \times T) - (tskew1 + tskew2)$ $tenv (max) = (time\_env \times T) + (tskew1 + tskew2)$	time_env
tdvs	tdvs	$tdvs = (time\_dvs \times T) - (tskew1 + tskew2)$	time_dvs
tdvh	tdvh	$tdvs = (time\_dvh \times T) - (tskew1 + tskew2)$	time_dvh
tcyc	tcyc	$tcyc = time\_cyc \times T - (tskew1 + tskew2)$	time_cyc
t2cyc	—	$t2cyc = time\_cyc \times 2 \times T$	time_cyc
trfs1	trfs	$trfs = 1.6 \times T + tsui + tco + tbuf + tbuf$	—
—	tdzfs	$tdzfs = time\_dzfs \times T - (tskew1)$	time_dzfs
tss	tss	$tss = time\_ss \times T - (tskew1 + tskew2)$	time_ss
tmli	tdzfs_mli	$tdzfs\_mli = \max (time\_dzfs, time\_mli) \times T - (tskew1 + tskew2)$	—
tli	tli1	$tli1 > 0$	—
tli	tli2	$tli2 > 0$	—
tli	tli3	$tli3 > 0$	—
tcvh	tcvh	$tcvh = (time\_cvh \times T) - (tskew1 + tskew2)$	time_cvh
—	ton toff	$ton = time\_on \times T - tskew1$ $toff = time\_off \times T - tskew1$	—

### 3.7.12 SIM (Subscriber Identification Module) Timing

This section describes the electrical parameters of the SIM module. Each SIM module interface consists of 12 signals (two separate ports each containing six signals). Typically a port uses five signals.

The interface is designed to be used with synchronous SIM cards meaning the SIM module provides the clock used by the SIM card. The clock frequency is typically 372 times the Tx/Rx data rate, however the SIM module can work with CLK frequencies of 16 times the Tx/Rx data rate.

There is no timing relationship between the clock and the data. The clock that the SIM module provides to the SIM card is used by the SIM card to recover the clock from the data in the same manner as standard UART data exchanges. All six signals (5 for bi-directional Tx/Rx) of the SIM module are asynchronous to each other.

There are no required timing relationships between signals in normal mode. The SIM card is initiated by the interface device; the SIM card responds with Answer to Reset. Although the SIM interface has no defined requirements, the ISO-7816 defines reset and power-down sequences. (For detailed information, see ISO-7816.)

Table 84 defines the general timing requirements for the SIM interface.

**Table 84. SIM Timing Parameters, High Drive Strength**

ID	Parameter	Symbol	Min	Max	Unit
SI1	SIM Clock Frequency (SIMx_CLKy) <sup>1</sup> ,	S <sub>freq</sub>	0.01	25	MHz
SI2	SIM Clock Rise Time (SIMx_CLKy) <sup>2</sup>	S <sub>rise</sub>	—	0.09×(1/S <sub>freq</sub> )	ns
SI3	SIM Clock Fall Time (SIMx_CLKy) <sup>3</sup>	S <sub>fall</sub>	—	0.09×(1/S <sub>freq</sub> )	ns
SI4	SIM Input Transition Time (SIMx_DATAy_RX_TX, SIMx_SIMPDy)	S <sub>trans</sub>	10	25	ns
SI5	SIM I/O Rise Time / Fall Time(SIMx_DATAy_RX_TX) <sup>4</sup>	Tr/Tf	—	1	μs
SI6	SIM RST Rise Time / Fall Time(SIMx_RSTy) <sup>5</sup>	Tr/Tf	—	1	μs

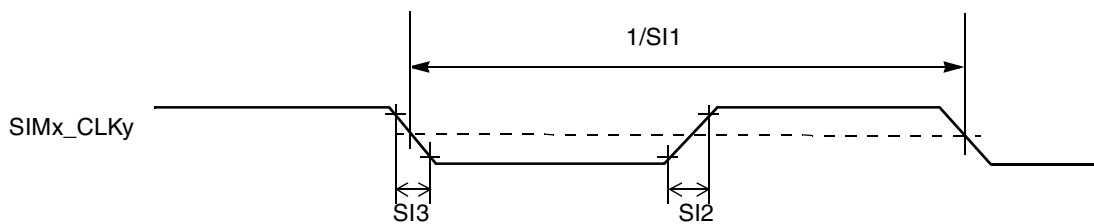
<sup>1</sup> 50% duty cycle clock

<sup>2</sup> With C = 50 pF

<sup>3</sup> With C = 50 pF

<sup>4</sup> With C<sub>in</sub> = 30 pF, C<sub>out</sub> = 30 pF

<sup>5</sup> With C<sub>in</sub> = 30 pF



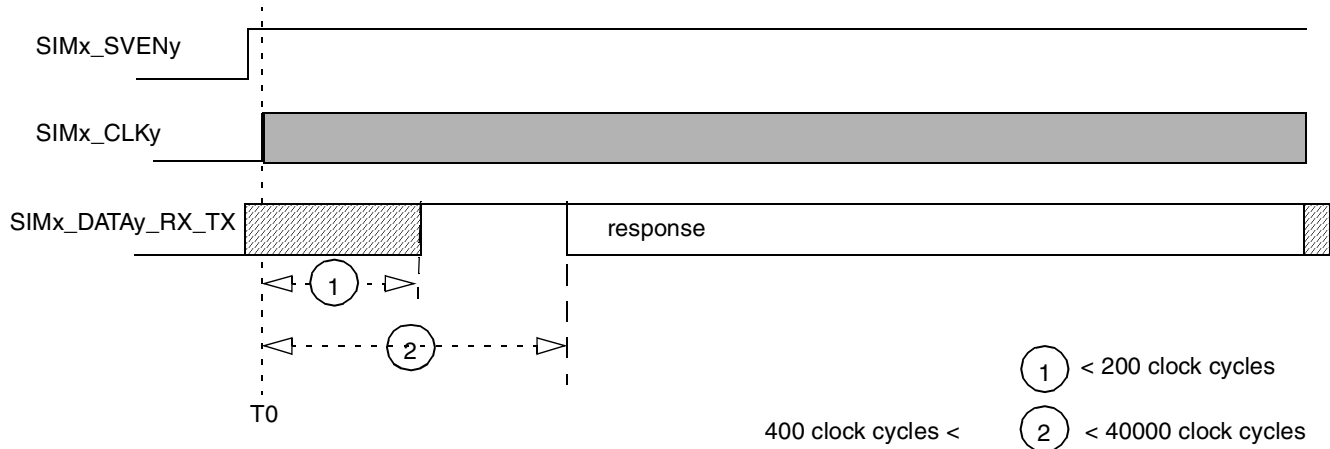
**Figure 81. SIM Clock Timing Diagram**

### 3.7.12.1 Reset Sequence

#### 3.7.12.1.1 Cards with internal reset

The sequence of reset for this kind of SIM Cards is as follows (see [Figure 82](#)):

- After power up, the clock signal is enabled on SIMx\_CLKy (time T0)
- After 200 clock cycles, RX must be high.
- The card must send a response on RX acknowledging the reset between 400 and 40000 clock cycles after T0.



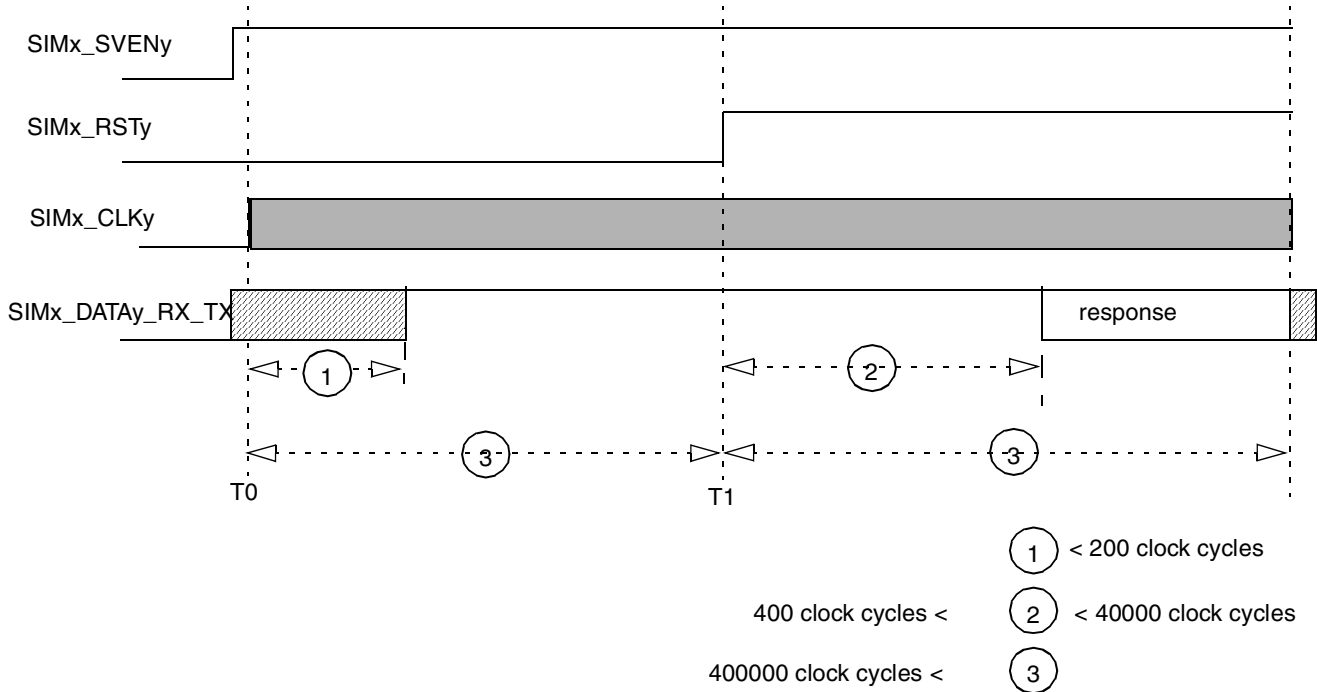
**Figure 82. Internal-Reset Card Reset Sequence**

#### 3.7.12.1.2 Cards with Active Low Reset

The sequence of reset for this kind of card is as follows (see [Figure 83](#)):

- After power-up, the clock signal is enabled on SIMx\_CLKy (time T0)
- After 200 clock cycles, SIMx\_DATAy\_RX\_TX must be high.
- SIMx\_RSTy must remain Low for at least 40000 clock cycles after T0 (no response is to be received on RX during those 40000 clock cycles)
- SIMx\_RSTy is set High (time T1)
- SIMx\_RSTy must remain High for at least 40000 clock cycles after T1 and a response must be received on SIMx\_DATAy\_RX\_TX between 400 and 40000 clock cycles after T1.

## Electrical Characteristics



**Figure 83. Active-Low-Reset Cards Reset Sequence**

### 3.7.12.2 Power Down Sequence

Power down sequence for SIM interface is as follows:

- SIMx\_SIMPDy port detects the removal of the SIM Card
- SIMx\_RSTy goes Low
- SIMx\_CLKy goes Low
- SIMx\_DATAy\_RX\_TX goes Low
- SIMx\_SVENy goes Low

Each of these steps is done in one CKIL period (usually 32 kHz). Power-down can be started because of a SIM Card removal detection or launched by the processor. Find in the table and figure below the usual timing requirements for this sequence, with  $F_{ckil}$  = CKIL frequency value.



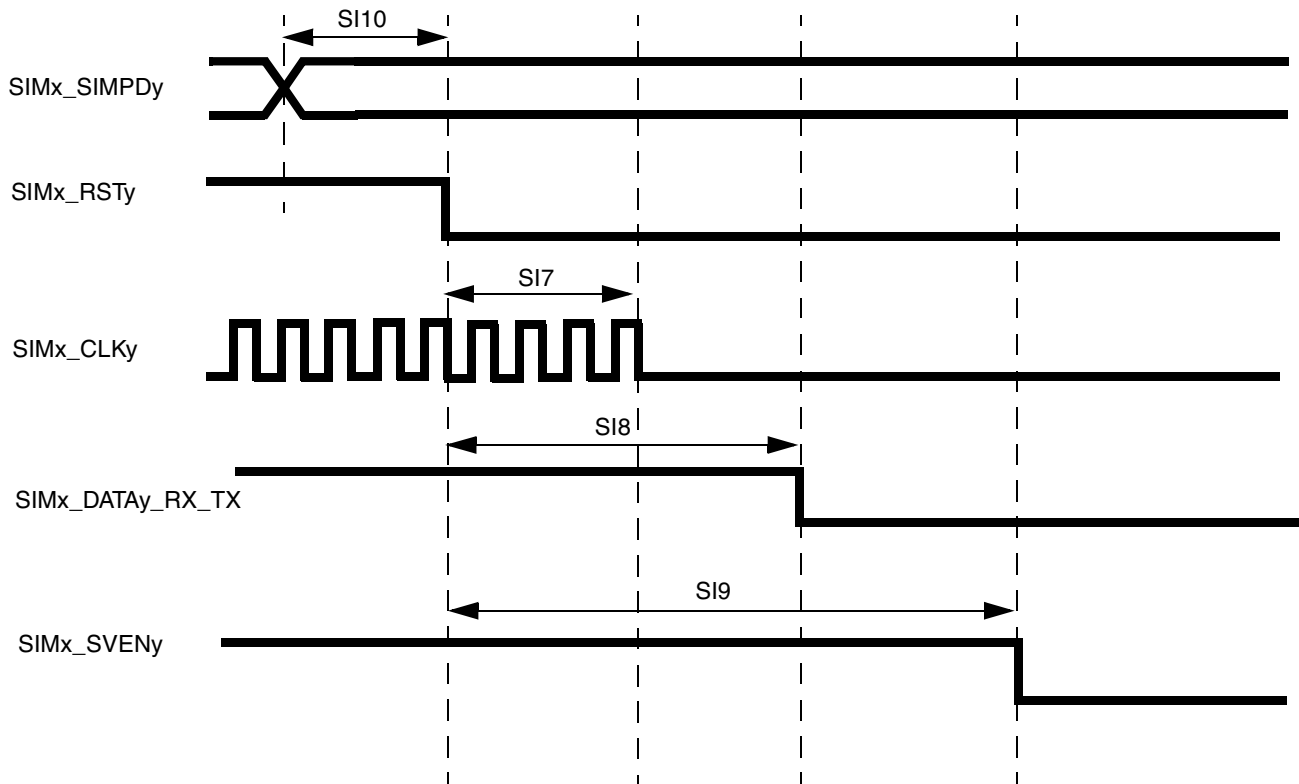


Figure 84. SmartCard Interface Power Down AC Timing

Table 85. Timing Requirements for Power Down Sequence

ID	Parameter	Symbol	Min	Max	Unit
SI7	SIM reset to SIM clock stop	$S_{rst2clk}$	$0.9 \times 1/F_{ckil}$	$1.1 \times 1/F_{ckil}$	ns
SI8	SIM reset to SIM TX data low	$S_{rst2dat}$	$1.8 \times 1/F_{ckil}$	$2.2 \times 1/F_{ckil}$	ns
SI9	SIM reset to SIM voltage enable low	$S_{rst2ven}$	$2.7 \times 1/F_{ckil}$	$3.3 \times 1/F_{ckil}$	ns
SI10	SIM presence detect to SIM reset low	$S_{pd2rst}$	$0.9 \times 1/F_{ckil}$	$1.1 \times 1/F_{ckil}$	ns

### 3.7.13 SCAN JTAG Controller (SJC) Timing Parameters

Figure 85 depicts the SJC test clock input timing. Figure 86 depicts the SJC boundary scan timing. Figure 87 depicts the SJC test access port. Signal parameters are listed in Table 86.

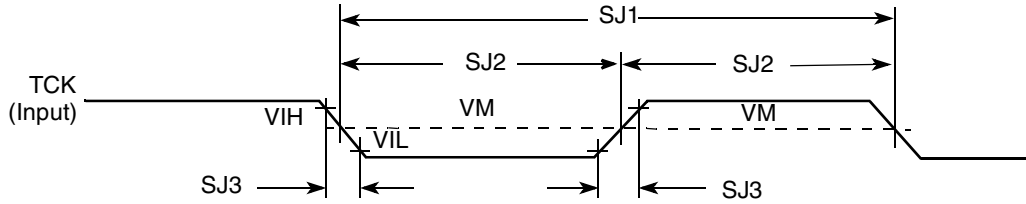


Figure 85. Test Clock Input Timing Diagram

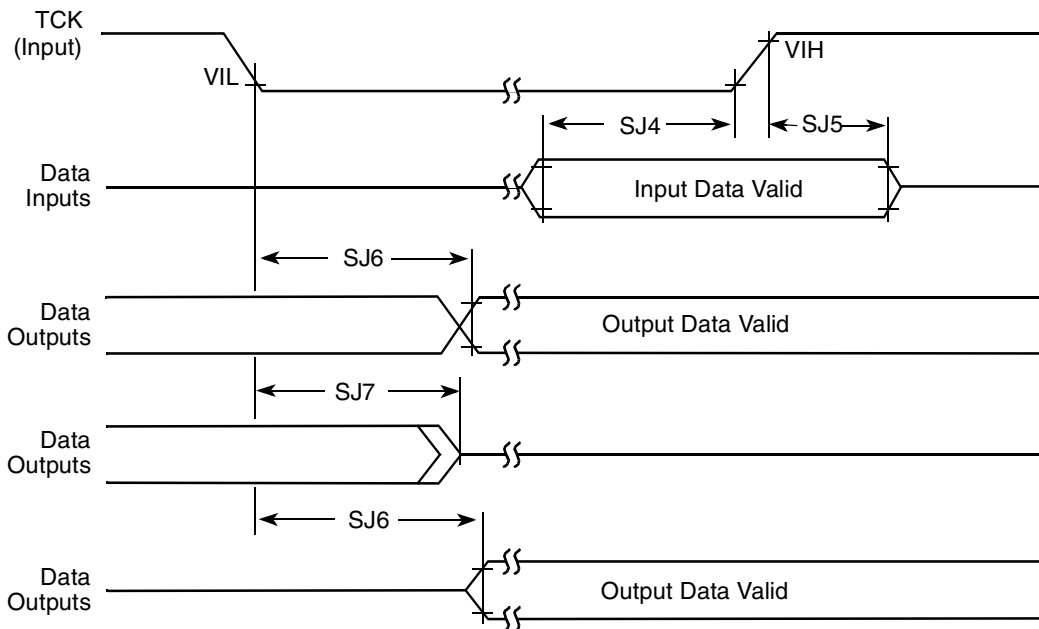


Figure 86. Boundary Scan (JTAG) Timing Diagram

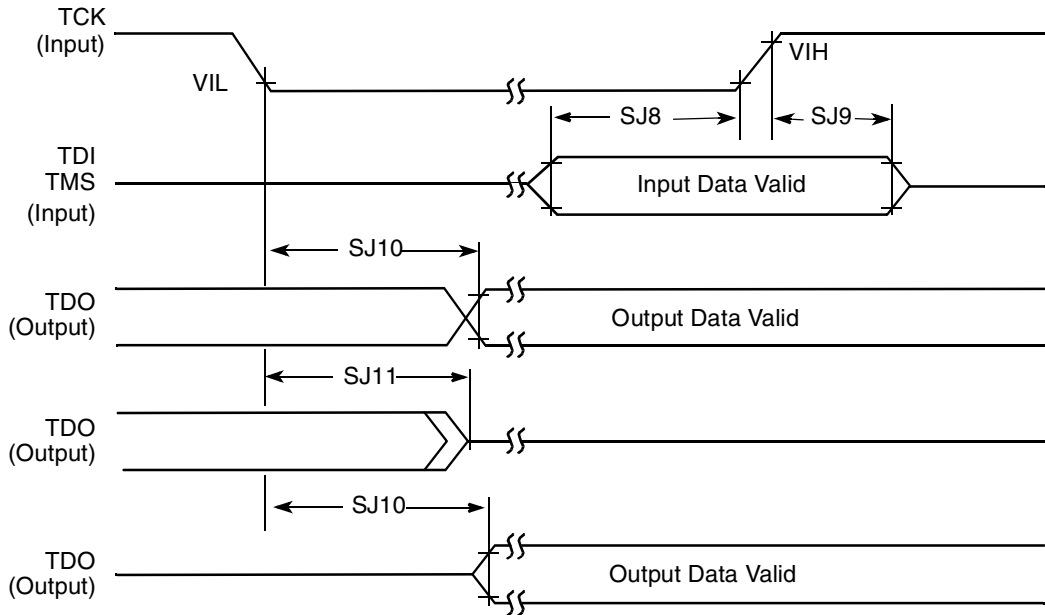


Figure 87. Test Access Port Timing Diagram

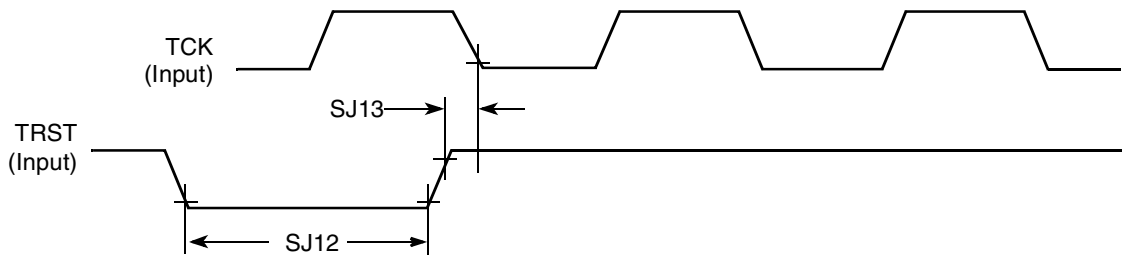


Figure 88.  $\overline{\text{TRST}}$  Timing Diagram

Table 86. JTAG Timing

ID	Parameter <sup>1,2</sup>	All Frequencies		Unit
		Min	Max	
SJ0	TCK frequency of operation $1/(3 \cdot T_{DC})^1$	0.001	22	MHz
SJ1	TCK cycle time in crystal mode	45	—	ns
SJ2	TCK clock pulse width measured at $V_M^2$	22.5	—	ns
SJ3	TCK rise and fall times	—	3	ns
SJ4	Boundary scan input data set-up time	5	—	ns
SJ5	Boundary scan input data hold time	24	—	ns
SJ6	TCK low to output data valid	—	40	ns
SJ7	TCK low to output high impedance	—	40	ns
SJ8	TMS, TDI data set-up time	5	—	ns

Table 86. JTAG Timing (continued)

ID	Parameter <sup>1,2</sup>	All Frequencies		Unit
		Min	Max	
SJ9	TMS, TDI data hold time	25	—	ns
SJ10	TCK low to TDO data valid	—	44	ns
SJ11	TCK low to TDO high impedance	—	44	ns
SJ12	$\overline{\text{TRST}}$ assert time	100	—	ns
SJ13	$\overline{\text{TRST}}$ set-up time to TCK low	40	—	ns

<sup>1</sup>  $T_{DC}$  = target frequency of SJC

<sup>2</sup>  $V_M$  = mid-point voltage

### 3.7.14 SPDIF Timing Parameters

Table 87 shows the timing parameters for the Sony/Philips Digital Interconnect Format (SPDIF).

Table 87. SPDIF Timing

Characteristics	Symbol	All Frequencies		Unit
		Min	Max	
SPDIFOUT output (load = 50 pF)	—	—	1.5	ns
• Skew		—	24.2	
• Transition rising		—	31.3	
• Transition falling				
SPDIFOUT output (load = 30 pF)	—	—	1.5	ns
• Skew		—	13.6	
• Transition rising		—	18.0	
• Transition falling				

### 3.7.15 SSI Timing Parameters

This section describes the timing parameters of the SSI module. The connectivity of the serial synchronous interfaces is summarized in Table 88.

Table 88. AUDMUX Port Allocation

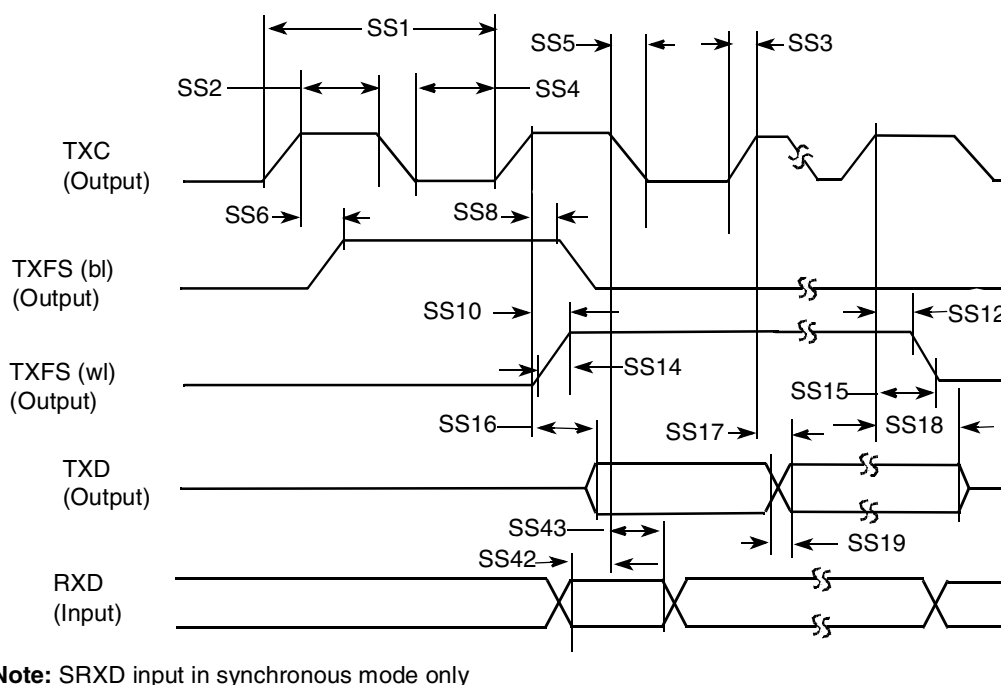
Port	Signal Nomenclature	Type and Access
AUDMUX port 1	SSI 1	Internal
AUDMUX port 2	SSI 2	Internal
AUDMUX port 3	AUD3	External – AUD3 I/O
AUDMUX port 4	AUD4	External – EIM or CSPI1 I/O via IOMUX
AUDMUX port 5	AUD5	External – EIM or SD1 I/O via IOMUX

Table 88. AUDMUX Port Allocation (continued)

Port	Signal Nomenclature	Type and Access
AUDMUX port 6	AUD6	External – EIM or DISP2 via IOMUX
AUDMUX port 7	SSI 3	Internal

**NOTE**

- The terms WL and BL used in the timing diagrams and tables refer to Word Length (WL) and Byte Length (BL).
- The SSI timing diagrams use generic signal names wherein the names used in the i.MX51 reference manual are channel specific signal names. For example, a channel clock referenced in the IOMUXC chapter as AUD3\_TXC appears in the timing diagram as TXC.



Note: SRXD input in synchronous mode only

Figure 89. SSI Transmitter Internal Clock Timing Diagram

### 3.7.15.1 SSI Transmitter Timing with Internal Clock

Table 89. SSI Transmitter Timing with Internal Clock

ID	Parameter	Min	Max	Unit
<b>Internal Clock Operation</b>				
SS1	(Tx/Rx) CK clock period	81.4	—	ns
SS2	(Tx/Rx) CK clock high period	36.0	—	ns
SS3	(Tx/Rx) CK clock rise time	—	6.0	ns

Table 89. SSI Transmitter Timing (continued)with Internal Clock (continued)

ID	Parameter	Min	Max	Unit
SS4	(Tx/Rx) CK clock low period	36.0	—	ns
SS5	(Tx/Rx) CK clock fall time	—	6.0	ns
SS6	(Tx) CK high to FS (bl) high	—	15.0	ns
SS8	(Tx) CK high to FS (bl) low	—	15.0	ns
SS10	(Tx) CK high to FS (wl) high	—	15.0	ns
SS12	(Tx) CK high to FS (wl) low	—	15.0	ns
SS14	(Tx/Rx) Internal FS rise time	—	6.0	ns
SS15	(Tx/Rx) Internal FS fall time	—	6.0	ns
SS16	(Tx) CK high to STXD valid from high impedance	—	15.0	ns
SS17	(Tx) CK high to STXD high/low	—	15.0	ns
SS18	(Tx) CK high to STXD high impedance	—	15.0	ns
SS19	STXD rise/fall time	—	6.0	ns
<b>Synchronous Internal Clock Operation</b>				
SS42	SRXD setup before (Tx) CK falling	10.0	—	ns
SS43	SRXD hold after (Tx) CK falling	0.0	—	ns
SS52	Loading	—	25.0	pF

**NOTE**

- All the timings for the SSI are given for a non-inverted serial clock polarity (TSCKP/RSCCKP = 0) and a non-inverted frame sync (TFSI/RFSI = 0). If the polarity of the clock and/or the frame sync have been inverted, all the timing remains valid by inverting the clock signal STCK/SRCK and/or the frame sync STFS/SRFS shown in the tables and in the figures.
- All timings are on Audiomux Pads when SSI is being used for data transfer.
- The terms WL and BL refer to Word Length (WL) and Byte Length (BL).
- "Tx" and "Rx" refer to the Transmit and Receive sections of the SSI.
- For internal Frame Sync operation using external clock, the FS timing is same as that of Tx Data (for example, during AC97 mode of operation).

### 3.7.15.2 SSI Receiver Timing with Internal Clock

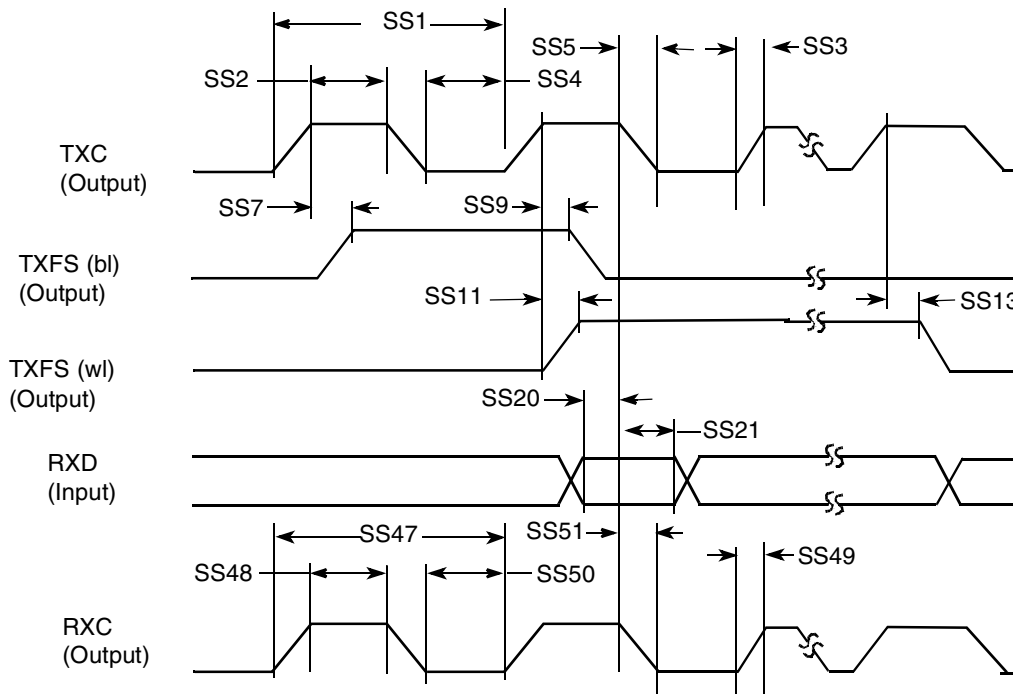


Figure 90. SSI Receiver Internal Clock Timing Diagram

Table 90. SSI Receiver Timing with Internal Clock

ID	Parameter	Min	Max	Unit
<b>Internal Clock Operation</b>				
SS1	(Tx/Rx) CK clock period	81.4	—	ns
SS2	(Tx/Rx) CK clock high period	36.0	—	ns
SS3	(Tx/Rx) CK clock rise time	—	6.0	ns
SS4	(Tx/Rx) CK clock low period	36.0	—	ns
SS5	(Tx/Rx) CK clock fall time	—	6.0	ns
SS7	(Rx) CK high to FS (bl) high	—	15.0	ns
SS9	(Rx) CK high to FS (bl) low	—	15.0	ns
SS11	(Rx) CK high to FS (wl) high	—	15.0	ns
SS13	(Rx) CK high to FS (wl) low	—	15.0	ns
SS20	SRXD setup time before (Rx) CK low	10.0	—	ns
SS21	SRXD hold time after (Rx) CK low	0.0	—	ns
<b>Oversampling Clock Operation</b>				
SS47	Oversampling clock period	15.04	—	ns

Table 90. SSI Receiver Timing with Internal Clock (continued)

ID	Parameter	Min	Max	Unit
SS48	Oversampling clock high period	6.0	—	ns
SS49	Oversampling clock rise time	—	3.0	ns
SS50	Oversampling clock low period	6.0	—	ns
SS51	Oversampling clock fall time	—	3.0	ns

**NOTE**

- All the timings for the SSI are given for a non-inverted serial clock polarity (TSCKP/RSCCKP = 0) and a non-inverted frame sync (TFSI/RFSI = 0). If the polarity of the clock and/or the frame sync have been inverted, all the timing remains valid by inverting the clock signal STCK/SRCK and/or the frame sync STFS/SRFS shown in the tables and in the figures.
- All timings are on Audiomux Pads when SSI is being used for data transfer.
- “Tx” and “Rx” refer to the Transmit and Receive sections of the SSI.
- The terms WL and BL refer to Word Length (WL) and Byte Length (BL).
- For internal Frame Sync operation using external clock, the FS timing is same as that of Tx Data (for example, during AC97 mode of operation).



### 3.7.15.3 SSI Transmitter Timing with External Clock

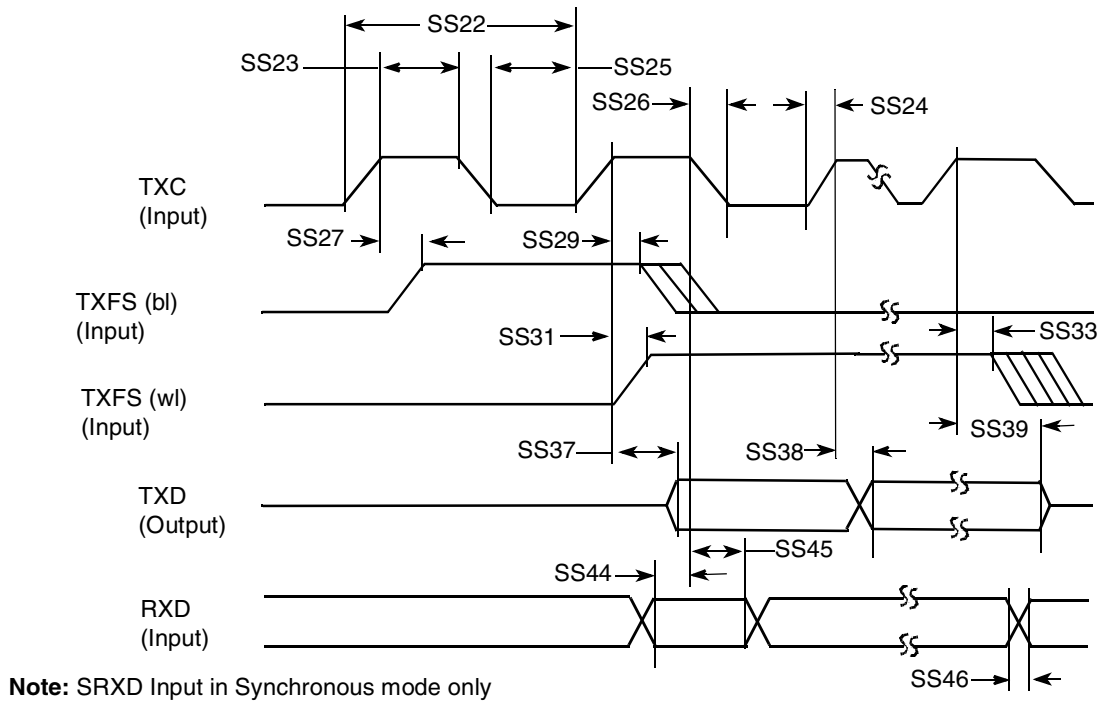


Figure 91. SSI Transmitter External Clock Timing Diagram

Table 91. SSI Transmitter Timing with External Clock

ID	Parameter	Min	Max	Unit
<b>External Clock Operation</b>				
SS22	(Tx/Rx) CK clock period	81.4	—	ns
SS23	(Tx/Rx) CK clock high period	36.0	—	ns
SS24	(Tx/Rx) CK clock rise time	—	6.0	ns
SS25	(Tx/Rx) CK clock low period	36.0	—	ns
SS26	(Tx/Rx) CK clock fall time	—	6.0	ns
SS27	(Tx) CK high to FS (bl) high	-10.0	15.0	ns
SS29	(Tx) CK high to FS (bl) low	10.0	—	ns
SS31	(Tx) CK high to FS (wl) high	-10.0	15.0	ns
SS33	(Tx) CK high to FS (wl) low	10.0	—	ns
SS37	(Tx) CK high to STXD valid from high impedance	—	15.0	ns
SS38	(Tx) CK high to STXD high/low	—	15.0	ns
SS39	(Tx) CK high to STXD high impedance	—	15.0	ns

Table 91. SSI Transmitter Timing with External Clock (continued)

ID	Parameter	Min	Max	Unit
<b>Synchronous External Clock Operation</b>				
SS44	SRXD setup before (Tx) CK falling	10.0	—	ns
SS45	SRXD hold after (Tx) CK falling	2.0	—	ns
SS46	SRXD rise/fall time	—	6.0	ns

**NOTE**

- All the timings for the SSI are given for a non-inverted serial clock polarity (TSCKP/RSCCKP = 0) and a non-inverted frame sync (TFSI/RFSI = 0). If the polarity of the clock and/or the frame sync have been inverted, all the timing remains valid by inverting the clock signal STCK/SRCK and/or the frame sync STFS/SRFS shown in the tables and in the figures.
- All timings are on Audiomux Pads when SSI is being used for data transfer.
- “Tx” and “Rx” refer to the Transmit and Receive sections of the SSI.
- The terms WL and BL refer to Word Length (WL) and Byte Length (BL).
- For internal Frame Sync operation using external clock, the FS timing is same as that of Tx Data (for example, during AC97 mode of operation).

**3.7.15.4 SSI Receiver Timing with External Clock**

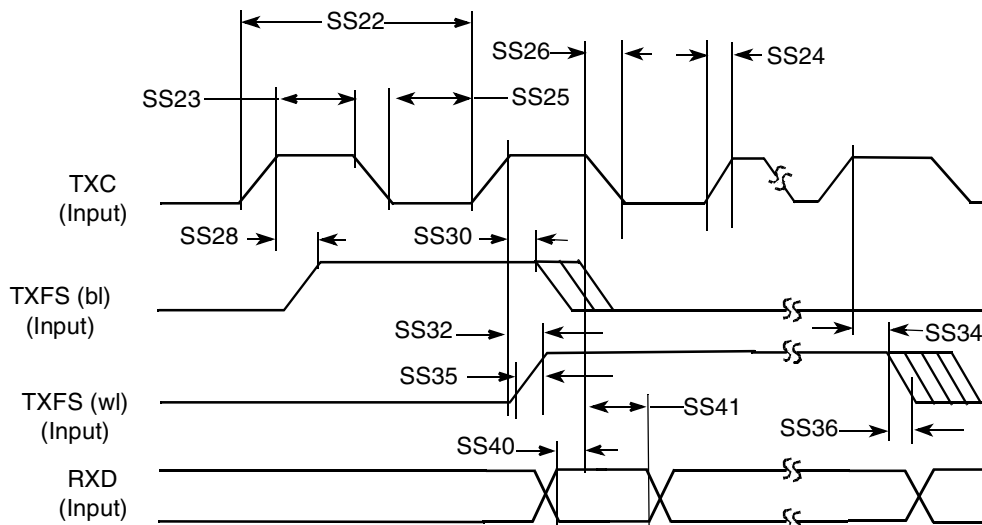


Figure 92. SSI Receiver External Clock Timing Diagram

Table 92. SSI Receiver Timing with External Clock

ID	Parameter	Min	Max	Unit
<b>External Clock Operation</b>				
SS22	(Tx/Rx) CK clock period	81.4	—	ns
SS23	(Tx/Rx) CK clock high period	36	—	ns
SS24	(Tx/Rx) CK clock rise time	—	6.0	ns
SS25	(Tx/Rx) CK clock low period	36	—	ns
SS26	(Tx/Rx) CK clock fall time	—	6.0	ns
SS28	(Rx) CK high to FS (bl) high	-10	15.0	ns
SS30	(Rx) CK high to FS (bl) low	10	—	ns
SS32	(Rx) CK high to FS (wl) high	-10	15.0	ns
SS34	(Rx) CK high to FS (wl) low	10	—	ns
SS35	(Tx/Rx) External FS rise time	—	6.0	ns
SS36	(Tx/Rx) External FS fall time	—	6.0	ns
SS40	SRXD setup time before (Rx) CK low	10	—	ns
SS41	SRXD hold time after (Rx) CK low	2	—	ns

**NOTE**

- All the timings for the SSI are given for a non-inverted serial clock polarity (TSCKP/RSCCKP = 0) and a non-inverted frame sync (TFSS/RFSI = 0). If the polarity of the clock and/or the frame sync have been inverted, all the timing remains valid by inverting the clock signal STCK/SRCK and/or the frame sync STFS/SRFS shown in the tables and in the figures.
- All timings are on Audiomux Pads when SSI is being used for data transfer.
- “Tx” and “Rx” refer to the Transmit and Receive sections of the SSI.
- The terms WL and BL refer to Word Length (WL) and Byte Length (BL).
- For internal Frame Sync operation using external clock, the FS timing is same as that of Tx Data (for example, during AC97 mode of operation).

### 3.7.16 UART

Table 93 shows the UART I/O configuration based on which mode is enabled.

**Table 93. UART I/O Configuration vs. Mode**

Port	DTE Mode		DCE Mode	
	Direction	Description	Direction	Description
RTS	Output	RTS from DTE to DCE	Input	RTS from DTE to DCE
CTS	Input	CTS from DCE to DTE	Output	CTS from DCE to DTE
DTR	Output	DTR from DTE to DCE	Input	DTR from DTE to DCE
DSR	Input	DSR from DCE to DTE	Output	DSR from DCE to DTE
DCD	Input	DCD from DCE to DTE	Output	DCD from DCE to DTE
RI	Input	RING from DCE to DTE	Output	RING from DCE to DTE
TXD_MUX	Input	Serial data from DCE to DTE	Output	Serial data from DCE to DTE
RXD_MUX	Output	Serial data from DTE to DCE	Input	Serial data from DTE to DCE

### 3.7.17 USB OH3 Parameters

This section describes the electrical parameters of the USB OTG port and USB HOST ports. For on-chip USB PHY parameters see [Section 3.7.19, “USB PHY Parameters.”](#)

#### 3.7.17.1 USB Serial Interface

In order to support four serial different interfaces, the USB serial transceiver can be configured to operate in one of four modes:

- DAT\_SE0 bidirectional, 3-wire mode
- DAT\_SE0 unidirectional, 6-wire mode
- VP\_VM bidirectional, 4-wire mode
- VP\_VM unidirectional, 6-wire mode

The USB controller does not support ULPI Serial mode. Only the legacy serial mode is supported.

**Table 94. Serial Mode Signal Map for 6-pin FsLs Serial Mode**

Signal	Maps to	Direction	Description
tx_enable	data(0)	In	Active high transmit enable
tx_dat	data(1)	In	Transmit differential data on D+/D-
tx_se0	data(2)	In	Transmit single-ended zero on D+/D-
int	data(3)	Out	Active high interrupt indication Must be asserted whenever any unmasked interrupt occurs
rx_dp	data(4)	Out	Single-ended receive data from D+
rx_dm	data(5)	Out	Single-ended receive data from D-

**Table 94. Serial Mode Signal Map for 6-pin FsLs Serial Mode (continued)**

Signal	Maps to	Direction	Description
rx_rcv	data(6)	Out	Differential receive data from D+/D-
Reserved	data(7)	Out	Reserved The PHY must drive this signal low

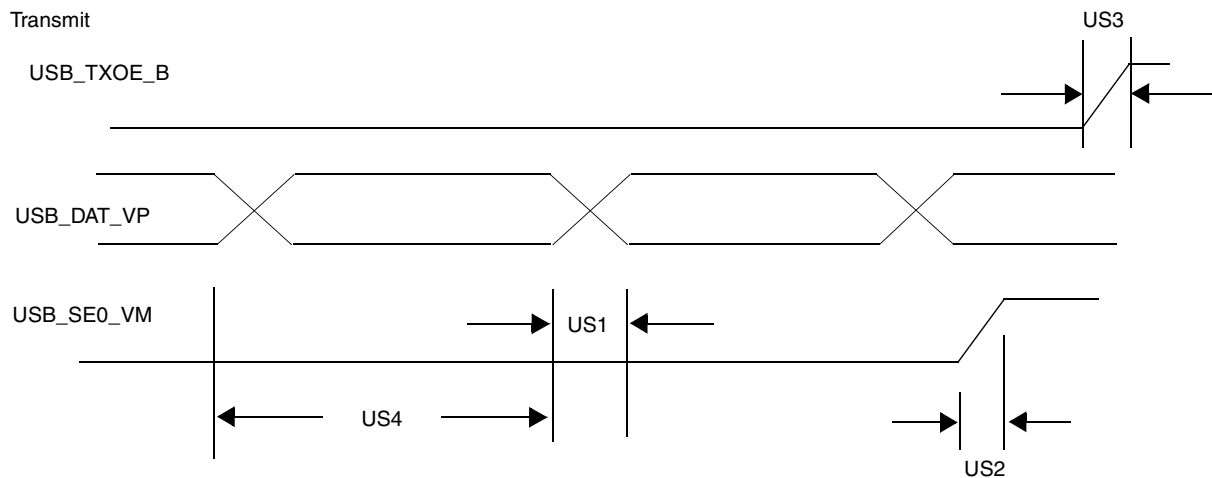
**Table 95. Serial Mode Signal Map for 3-pin FsLs Serial Mode**

Signal	Maps to	Direction	Description
tx_enable	data(0)	In	Active high transmit enable
dat	data(1)	I/O	Transmit differential data on D+/D- when tx_enable is high Receive differential data on D+/D- when tx_enable is low
se0	data(2)	I/O	Transmit single-ended zero on D+/D- when tx_enable is high Receive single-ended zero on D+/D- when tx_enable is low
int	data(3)	Out	Active high interrupt indication Must be asserted whenever any unmasked interrupt occurs

**3.7.17.1.1 USB DAT\_SE0 Bi-Directional Mode**

**Table 96. Signal Definitions—DAT\_SE0 Bi-Directional Mode**

Name	Direction	Signal Description
USB_TXOE_B	Out	Transmit enable, active low
USB_DAT_VP	Out In	TX data when USB_TXOE_B is low Differential RX data when USB_TXOE_B is high
USB_SE0_VM	Out In	SE0 drive when USB_TXOE_B is low SE0 RX indicator when USB_TXOE_B is high



**Figure 93. USB Transmit Waveform in DAT\_SE0 Bi-Directional Mode**

## Electrical Characteristics

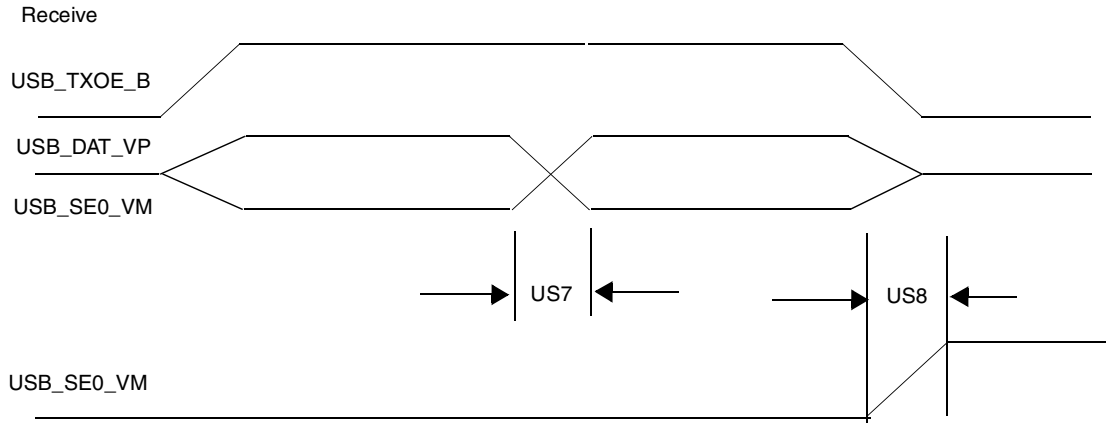


Figure 94. USB Receive Waveform in DAT\_SE0 Bi-Directional Mode

Table 97. Definitions of USB Receive Waveform in DAT\_SE0 Bi-Directional Mode

ID	Parameter	Signal Name	Direction	Min	Max	Unit	Conditions/ Reference Signal
US1	TX Rise/Fall Time	USB_DAT_VP	Out	–	5.0	ns	50 pF
US2	TX Rise/Fall Time	USB_SE0_VM	Out	–	5.0	ns	50 pF
US3	TX Rise/Fall Time	USB_TXOE_B	Out	–	5.0	ns	50 pF
US4	TX Duty Cycle	USB_DAT_VP	Out	49.0	51.0	%	–
US7	RX Rise/Fall Time	USB_DAT_VP	In	–	3.0	ns	35 pF
US8	RX Rise/Fall Time	USB_SE0_VM	In	–	3.0	ns	35 pF

### 3.7.17.1.2 USB DAT\_SE0 Unidirectional Mode

Table 98. Signal Definitions—DAT\_SE0 Unidirectional Mode

Name	Direction	Signal Description
USB_TXOE_B	Out	Transmit enable, active low
USB_DAT_VP	Out	TX data when USB_TXOE_B is low
USB_SE0_VM	Out	SE0 drive when USB_TXOE_B is low
USB_VP1	In	Buffered data on DP when USB_TXOE_B is high
USB_VM1	In	Buffered data on DM when USB_TXOE_B is high
USB_RCV	In	Differential RX data when USB_TXOE_B is high

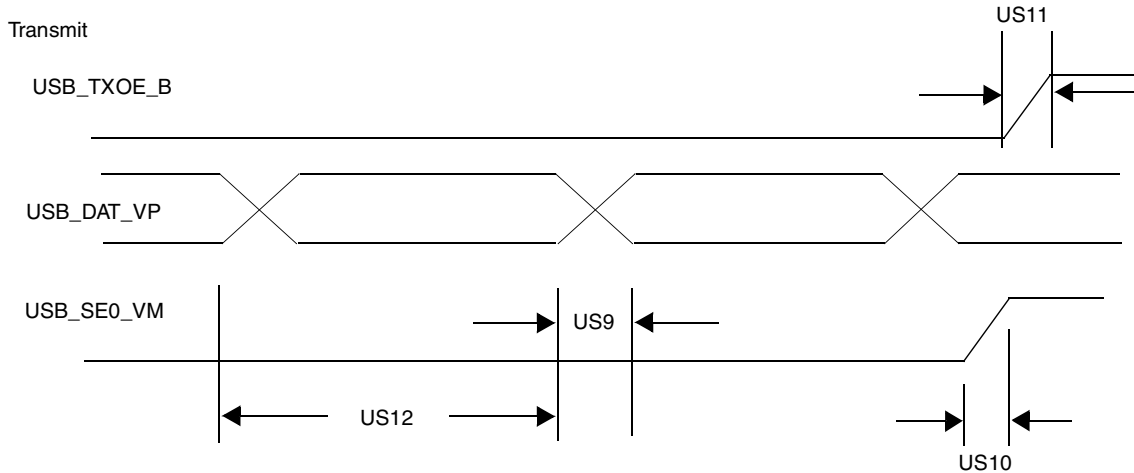


Figure 95. USB Transmit Waveform in DAT\_SE0 Uni-directional Mode

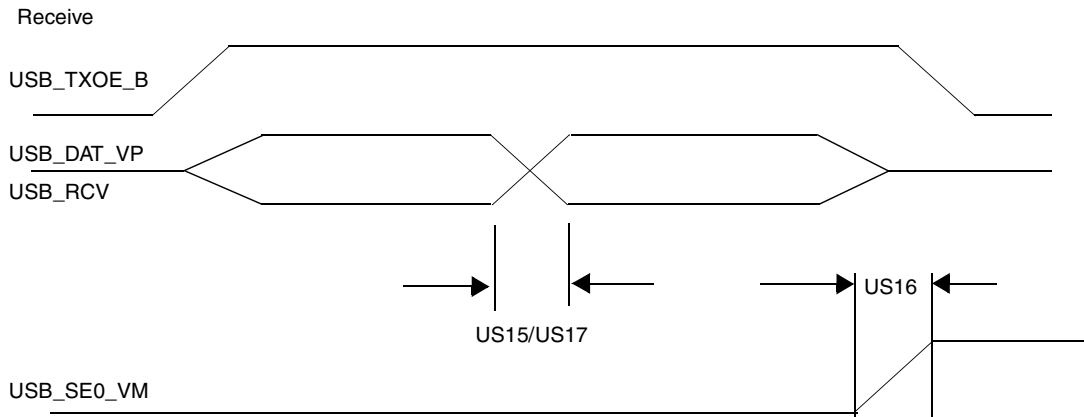


Figure 96. USB Receive Waveform in DAT\_SE0 Uni-directional Mode

Table 99. USB Port Timing Specification in DAT\_SE0 Uni-directional Mode

ID	Parameter	Signal Name	Signal Source	Min	Max	Unit	Condition/Reference Signal
US9	TX Rise/Fall Time	USB_DAT_VP	Out	–	5.0	ns	50 pF
US10	TX Rise/Fall Time	USB_SE0_VM	Out	–	5.0	ns	50 pF
US11	TX Rise/Fall Time	USB_TXOE_B	Out	–	5.0	ns	50 pF
US12	TX Duty Cycle	USB_DAT_VP	Out	49.0	51.0	%	–
US15	RX Rise/Fall Time	USB_VP1	In	–	3.0	ns	35 pF
US16	RX Rise/Fall Time	USB_VM1	In	–	3.0	ns	35 pF
US17	RX Rise/Fall Time	USB_RCV	In	–	3.0	ns	35 pF

3.7.17.1.3 USB VP\_VM Bi-Directional Mode

Table 100. Signal Definitions—VP\_VM Bi-Directional Mode

Name	Direction	Signal Description
USB_TXOE_B	Out	Transmit enable, active low
USB_DAT_VP	Out (Tx) In (Rx)	TX VP data when USB_TXOE_B is low RX VP data when USB_TXOE_B is high
USB_SE0_VM	Out (Tx) In (Rx)	TX VM data when USB_TXOE_B low RX VM data when USB_TXOE_B high
USB_RCV	In	Differential RX data

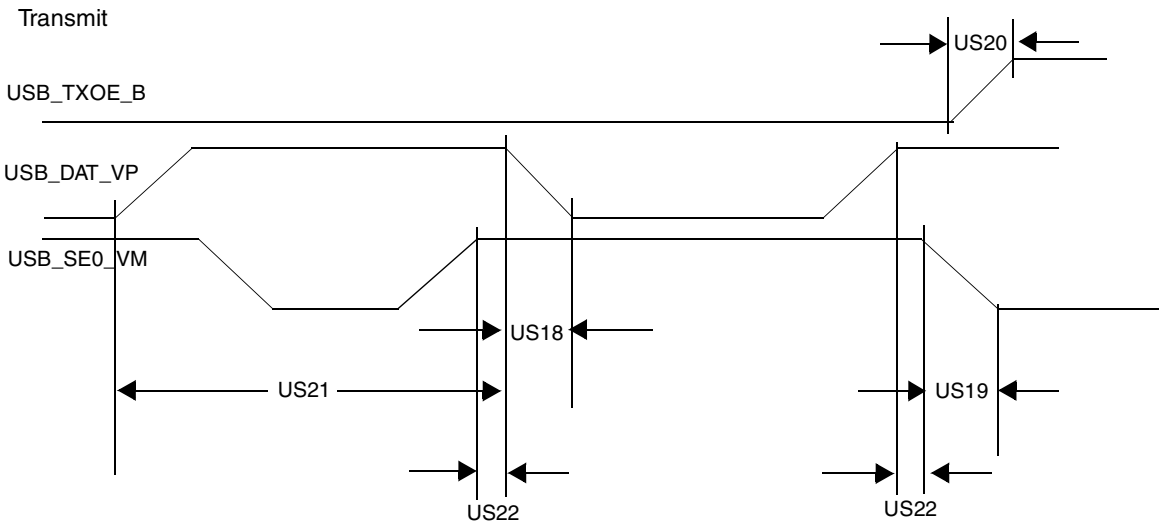


Figure 97. USB Transmit Waveform in VP\_VM Bi-Directional Mode

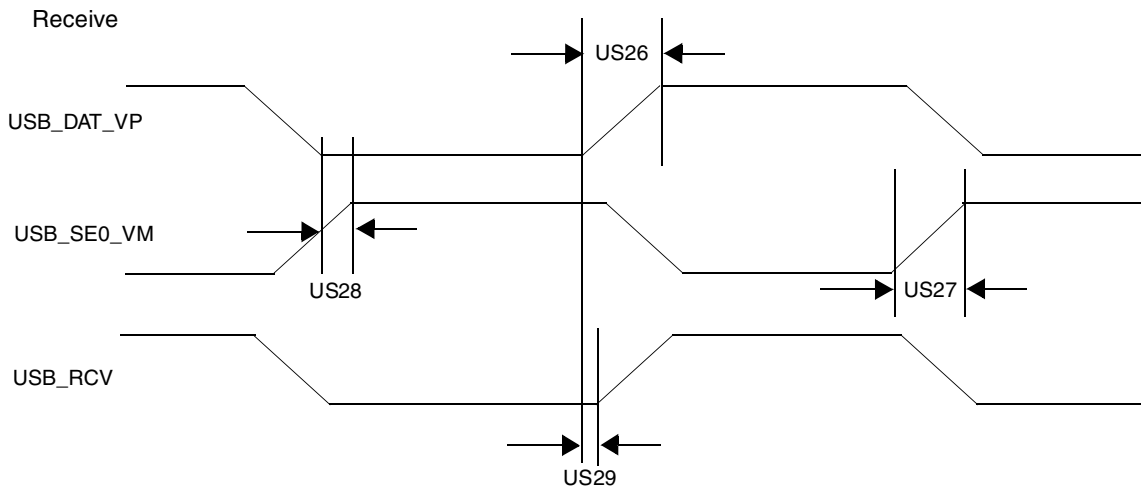


Figure 98. USB Receive Waveform in VP\_VM Bi-Directional Mode



Table 101. USB Port Timing Specification in VP\_VM Bi-directional Mode

ID	Parameter	Signal Name	Direction	Min	Max	Unit	Condition / Reference Signal
US18	TX Rise/Fall Time	USB_DAT_VP	Out	—	5.0	ns	50 pF
US19	TX Rise/Fall Time	USB_SE0_VM	Out	—	5.0	ns	50 pF
US20	TX Rise/Fall Time	USB_TXOE_B	Out	—	5.0	ns	50 pF
US21	TX Duty Cycle	USB_DAT_VP	Out	49.0	51.0	%	—
US22	TX Overlap	USB_SE0_VM	Out	-3.0	3.0	ns	USB_DAT_VP
US26	RX Rise/Fall Time	USB_DAT_VP	In	—	3.0	ns	35 pF
US27	RX Rise/Fall Time	USB_SE0_VM	In	—	3.0	ns	35 pF
US28	RX Skew	USB_DAT_VP	Out	-4.0	4.0	ns	USB_SE0_VM
US29	RX Skew	USB_RCV	Out	-6.0	2.0	ns	USB_DAT_VP

### 3.7.17.1.4 USB VP\_VM Uni-Directional Mode

Table 102. USB Signal Definitions—VP\_VM Uni-Directional Mode

Name	Direction	Signal Description
USB_TXOE_B	Out	Transmit enable, active low
USB_DAT_VP	Out	TX VP data when USB_TXOE_B is low
USB_SE0_VM	Out	TX VM data when USB_TXOE_B is low
USB_VP1	In	RX VP data when USB_TXOE_B is high
USB_VM1	In	RX VM data when USB_TXOE_B is high
USB_RCV	In	Differential RX data

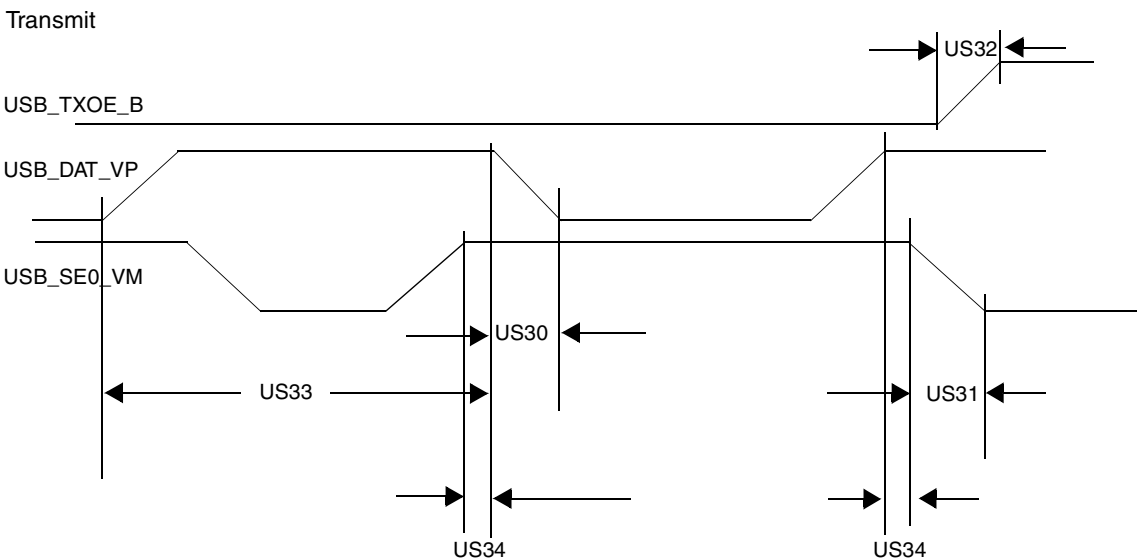


Figure 99. USB Transmit Waveform in VP\_VM Unidirectional Mode

## Electrical Characteristics

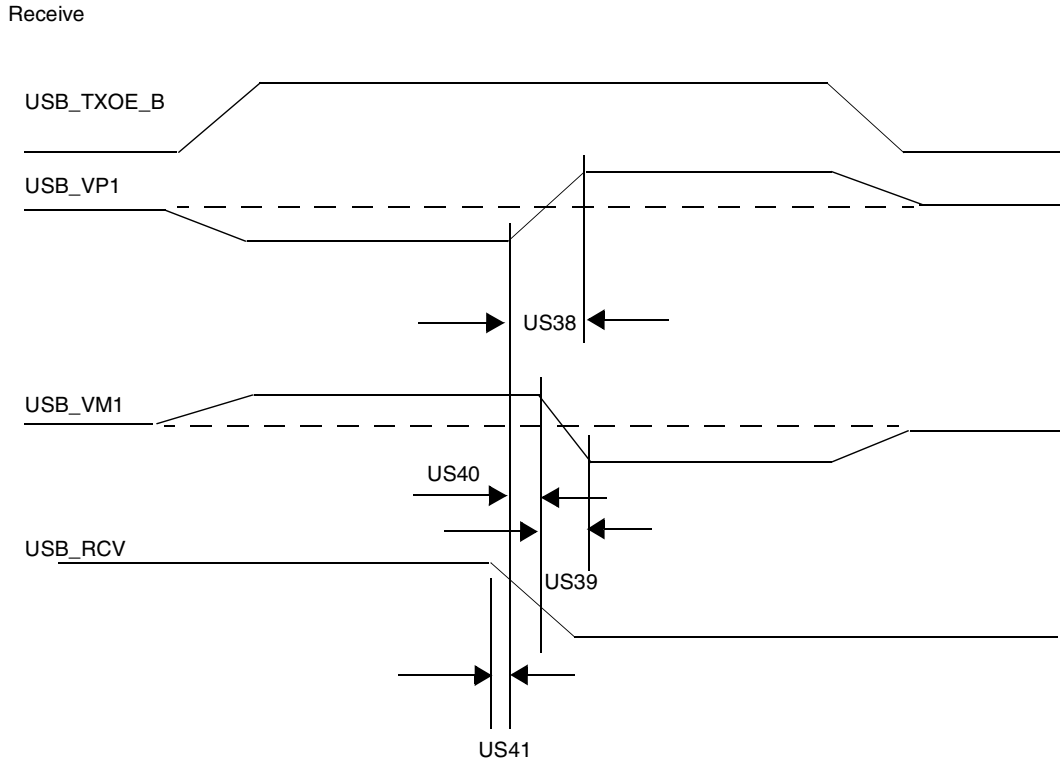


Figure 100. USB Receive Waveform in VP\_VM Unidirectional Mode

Table 103. USB Timing Specification in VP\_VM Unidirectional Mode

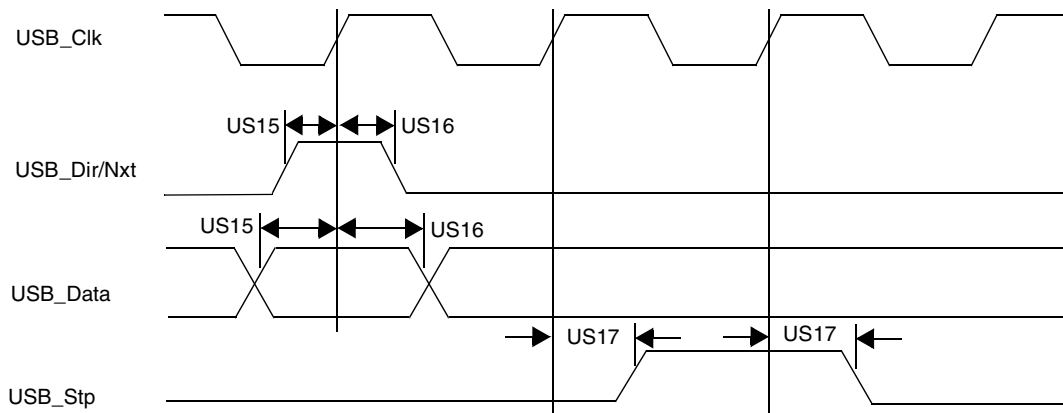
ID	Parameter	Signal	Direction	Min	Max	Unit	Conditions / Reference Signal
US30	TX Rise/Fall Time	USB_DAT_VP	Out	—	5.0	ns	50 pF
US31	TX Rise/Fall Time	USB_SE0_VM	Out	—	5.0	ns	50 pF
US32	TX Rise/Fall Time	USB_TXOE_B	Out	—	5.0	ns	50 pF
US33	TX Duty Cycle	USB_DAT_VP	Out	49.0	51.0	%	—
US34	TX Overlap	USB_SE0_VM	Out	-3.0	3.0	ns	USB_DAT_VP
US38	RX Rise/Fall Time	USB_VP1	In	—	3.0	ns	35 pF
US39	RX Rise/Fall Time	USB_VM1	In	—	3.0	ns	35 pF
US40	RX Skew	USB_VP1	Out	-4.0	4.0	ns	USB_SE0_VM
US41	RX Skew	USB_RCV	Out	-6.0	2.0	ns	USB_DAT_VP

### 3.7.18 USB Parallel Interface Timing

Electrical and timing specifications of Parallel Interface are presented in the subsequent sections.

**Table 104. Signal Definitions—Parallel Interface (Normal ULPI)**

Name	Direction	Signal Description
USB_Clk	In	Interface clock. All interface signals are synchronous to Clock.
USB_Data[7:0]	I/O	Bi-directional data bus, driven low by the link during idle. Bus ownership is determined by Dir.
USB_Dir	In	Direction. Control the direction of the Data bus.
USB_Stp	Out	Stop. The link asserts this signal for 1 clock cycle to stop the data stream currently on the bus.
USB_Nxt	In	Next. The PHY asserts this signal to throttle the data.



**Figure 101. USB Transmit/Receive Waveform in Parallel Mode**

**Table 105. USB Timing Specification for ULPI Parallel Mode**

ID	Parameter	Min	Max	Unit	Conditions / Reference Signal
US15	Setup Time (Dir, Nxt in, Data in)	6	—	ns	10 pF
US16	Hold Time (Dir, Nxt in, Data in)	0	—	ns	10 pF
US17	Output delay Time (Stp out, Data out)	—	9	ns	10 pF

### 3.7.19 USB PHY Parameters

#### 3.7.19.1 USB PHY AC Parameters

Table 106. USB PHY AC Timing Parameters

Parameter	Conditions	Min	Typ	Max	Unit
trise	1.5Mbps	75	—	300	ns
	12Mbps	4		20	
	480Mbps	0.5			
tfall	1.5Mbps	75	—	300	ns
	12Mbps	4		20	
	480Mbps	0.5			
Jitter	1.5Mbps	—	—	10	ns
	12Mbps			1	
	480Mbps			0.2	

#### 3.7.19.2 USB PHY Additional Electrical Parameters

Table 107. Additional Electrical Characteristics for USB PHY

Parameter	Conditions	Min	Typ	Max	Unit
Vcm DC (dc level measured at receiver connector)	HS Mode	-0.05	—	0.5	V
	LS/FS Mode	0.8		2.5	
Crossover Voltage	LS Mode	1.3	—	2	V
	FS Mode	1.3		2	
Power supply ripple noise (analog 3.3 V)	<160 MHz	-50	0	50	mV
Power supply ripple noise (analog 2.5 V)	<1.2 MHz	-10	0	10	mV
	>1.2 MHz	-50	0	50	
Power supply ripple noise (Digital 1.2)	All conditions	-50	0	50	mV

#### 3.7.19.3 USB PHY System Clocking (SYSCLK)

Table 108. USB PHY System Clocking Parameters

Parameter	Conditions	Min	Typ	Max	Unit
Clock deviation	—	-150	—	150	ppm
Rise/fall time	—	—	—	200	ps
Jitter (peak-peak)	<1.2 MHz	0	—	50	ps
Jitter (peak-peak)	>1.2 MHz	0	—	100	ps
Duty-cycle	—	40	—	60	%

### 3.7.19.4 USB PHY Voltage Thresholds

Table 109. VBUS Comparators Thresholds

Parameter	Conditions	Min	Typ	Max	Unit
A-Device Session Valid	—	0.8	1.4	2.0	V
B-Device Session Valid	—	0.8	1.4	4.0	V
B-Device Session End	—	0.2	0.45	0.8	V
VBUS Valid Comparator Threshold <sup>1</sup>	—	4.4	4.6	4.75	V

<sup>1</sup> For VBUS maximum rating, see [Table 6 on page 15](#)

## 4 Package Information and Contact Assignments

This section includes the contact assignment information and mechanical package drawing.

### 4.1 13 × 13 mm Package Information

This section contains the outline drawing, signal assignment map, ground/power/reference ID (by ball grid location) for the 13 × 13 mm, 0.5 mm pitch package.

### 4.1.1 BGA—Case 2058 13 × 13 mm, 0.5 mm Pitch

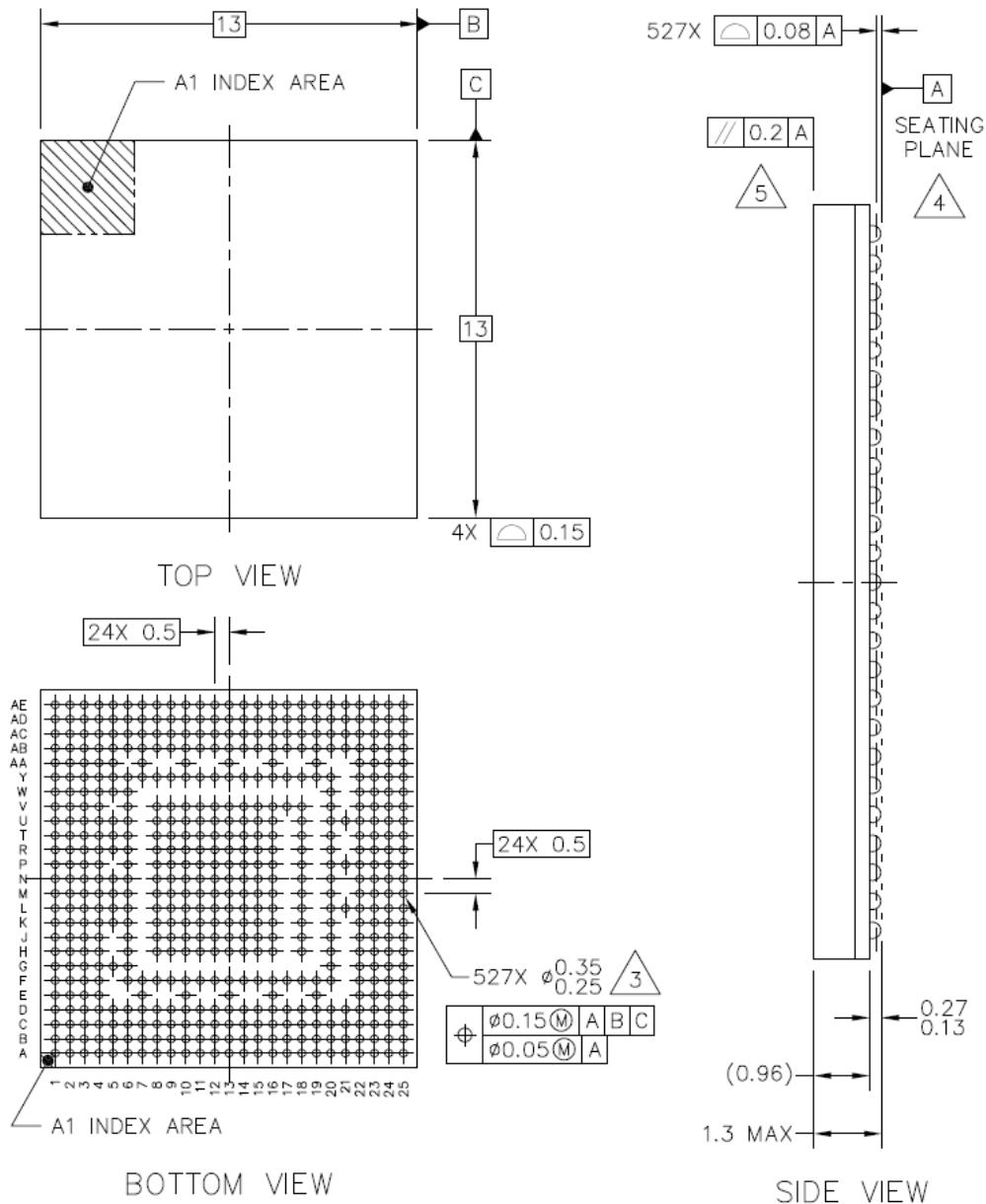


Figure 102. Package: Case 2058—0.5 mm Pitch

#### 4.1.1.1 13 × 13 mm Package Drawing Notes

The following notes apply to Figure 102.

- 1 All dimensions in millimeters.
- 2 Dimensioning and tolerancing per ASME Y14.5M-1994.
- 3 Maximum solder ball diameter measured parallel to Datum A.
- 4 Datum A, the seating plane, is determined by the spherical crowns of the solder balls.
- 5 Parallelism measurement shall exclude any effect of mark on top surface of package.

## 4.1.2 13 × 13 mm, 0.5 Pitch Ball Assignment Lists

Table 110 shows the device connection list for ground, power, sense, and reference contact signals alpha-sorted by name. Table 111 displays an alpha-sorted list of the signal assignments. Table 112 provides a listing of the no-connect contacts.

### 4.1.2.1 13 × 13 mm Ball Contact Assignments

Table 110 shows the device connection list for ground, power, sense, and reference contact signals alpha-sorted by name

**Table 110. 13 × 13 mm Ground, Power, Sense, and Reference Contact Assignments**

Contact Name	Contact Assignment
AHVDDRGB	V15, V16
AHVSSRGB	V13, V14
GND	A1, A24, A25, B1, B25, E7, E13, E16, E19, G5, J13, J14, K5, K13, K14, K15, L13, L14, L15, L21, M12, M13, M14, M15, N5, N6, N8, N9, N10, N11, P8, P9, P11, P21, R8, R9, R10, R11, R12, T8, T9, T10, T11, T12, T13, U5, U9, U10, U11, U12, U13, U21, W5, AA7, AA10, AA13, AA16, AA19, AD1, AD2, AD25, AE1, AE24, AE25
GND_ANA_PLL_A	AE3
GND_ANA_PLL_B	AC25
GND_DIG_PLL_A	AE2
GND_DIG_PLL_B	AD24
NGND_OSC	AC23
NGND_TV_BACK	AB22
NGND_USBPHY	L23
NVCC_EMI	U8, V8
NVCC_EMI_DRAM	L5, M5, R5, T5, Y5, AA5
NVCC_HS10	M20
NVCC_HS4_1	L20
NVCC_HS4_2	P20
NVCC_HS6	N20
NVCC_I2C	V11
NVCC_IPU2	V20
NVCC_IPU4	N16
NVCC_IPU5	K16
NVCC_IPU6	M16
NVCC_IPU7	H22
NVCC_IPU8	V22

Table 110. 13 × 13 mm Ground, Power, Sense, and Reference Contact Assignments (continued)

Contact Name	Contact Assignment
NVCC_IPU9	L16
NVCC_NANDF_A	J8
NVCC_NANDF_B	H8
NVCC_NANDF_C	H9
NVCC_OSC	AD22
NVCC_PER10	H12
NVCC_PER11	H11
NVCC_PER12	H15
NVCC_PER13	H14
NVCC_PER14	V9
NVCC_PER15	H16
NVCC_PER17	J16
NVCC_PER3	V10
NVCC_PER5	D20
NVCC_PER8	J15
NVCC_PER9	H10
NVCC_SRTC_POW	V12
NVCC_TV_BACK	AC22
NVCC_USBPHY	P16
RREFEXT	K18
SGND	P10
SVCC	N13
SVDDGP	M11
TVDAC_DHVDD	AB21
VBUS	L22
VCC	N12, N14, N15, P12, P13, P14, P15, R13, R14, R15, T14, T15, T16, U14, U15, U16
VDD_ANA_PLL_A	AD4
VDD_ANA_PLL_B	AC24
VDD_DIG_PLL_A	AD3
VDD_DIG_PLL_B	AB23
VDD_FUSE	P6
VDDA	H13, N18, R6, T6, Y16
VDDA33	R16



Table 110. 13 × 13 mm Ground, Power, Sense, and Reference Contact Assignments (continued)

Contact Name	Contact Assignment
VDDGP	E10, J9, J10, J11, J12, K8, K9, K10, K11, K12, L6, L8, L9, L10, L11, L12, M6, M8, M9, M10
VREF	U6
VREFOUT	AB20
VREG	L24

#### 4.1.2.2 13 × 13 mm Signal Assignments, Power Rails, and I/O

Table 111 shows signal assignment connect list including the associated power supplies. Table 115 on page 172 lists the contacts that can be overridden with fuse settings.

Table 111. 13 × 13 mm Signal Assignments, Power Rails, and I/O

Contact Name	Contact Assignment	Power Rail	I/O Buffer Type	Direction after Reset <sup>1</sup>	Configuraton after Reset <sup>1</sup>
AUD3_BB_CK	C9	NVCC_PER9	GPIO	Input	Keeper
AUD3_BB_FS	C8	NVCC_PER9	GPIO	Input	Keeper
AUD3_BB_RXD	B8	NVCC_PER9	GPIO	Input	Keeper
AUD3_BB_TXD	B7	NVCC_PER9	GPIO	Input	Keeper
BOOT_MODE0	W22	NVCC_PER3	LVIO	Input	100 kΩ pull-up
BOOT_MODE1	AA24	NVCC_PER3	LVIO	Input	100 kΩ pull-up
CKIH1	AB24	NVCC_PER3	Analog	Input	Analog
CKIH2	AA23	NVCC_PER3	Analog	Input	Analog
CKIL	AA22	NVCC_SRTC_POW	GPIO	Input	Standard CMOS
CLK_SS	Y22	NVCC_PER3	LVIO	Input	100 kΩ pull-up
COMP	AC20	AHVDDRGB	Analog	Input	Analog
CSI1_D10	R24	NVCC_HS10	HSGPIO	Input	Keeper
CSI1_D11	R25	NVCC_HS10	HSGPIO	Input	Keeper
CSI1_D12	P22	NVCC_HS10	HSGPIO	Input	Keeper
CSI1_D13	P23	NVCC_HS10	HSGPIO	Input	Keeper
CSI1_D14	P24	NVCC_HS10	HSGPIO	Input	Keeper
CSI1_D15	P25	NVCC_HS10	HSGPIO	Input	Keeper
CSI1_D16	N24	NVCC_HS10	HSGPIO	Input	Keeper
CSI1_D17	N25	NVCC_HS10	HSGPIO	Input	Keeper
CSI1_D18	N23	NVCC_HS10	HSGPIO	Input	Keeper
CSI1_D19	N22	NVCC_HS10	HSGPIO	Input	Keeper

Table 111. 13 × 13 mm Signal Assignments, Power Rails, and I/O (continued)

Contact Name	Contact Assignment	Power Rail	I/O Buffer Type	Direction after Reset <sup>1</sup>	Configuraton after Reset <sup>1</sup>
CSI1_D8	A20	NVCC_PER8	GPIO	Input	Keeper
CSI1_D9	B20	NVCC_PER8	GPIO	Input	Keeper
CSI1_HSYNC	C19	NVCC_PER8	GPIO	Input	Keeper
CSI1_MCLK	F19	NVCC_PER8	GPIO	Input	Keeper
CSI1_PIXCLK	D19	NVCC_PER8	GPIO	Input	Keeper
CSI1_VSYNC	B19	NVCC_PER8	GPIO	Input	Keeper
CSI2_D12	F11	NVCC_PER9	GPIO	Input	Keeper
CSI2_D13	D8	NVCC_PER9	GPIO	Input	Keeper
CSI2_D14	M25	NVCC_HS4_1	HSGPIO	Input	Keeper
CSI2_D15	M24	NVCC_HS4_1	HSGPIO	Input	Keeper
CSI2_D16	M23	NVCC_HS4_1	HSGPIO	Input	Keeper
CSI2_D17	M22	NVCC_HS4_1	HSGPIO	Input	Keeper
CSI2_D18	A7	NVCC_PER9	GPIO	Input	Keeper
CSI2_D19	C7	NVCC_PER9	GPIO	Input	Keeper
CSI2_HSYNC	J20	NVCC_PER8	GPIO	Input	Keeper
CSI2_PIXCLK	D21	NVCC_PER8	GPIO	Input	Keeper
CSI2_VSYNC	C20	NVCC_PER8	GPIO	Input	Keeper
CSPI1_MISO	F12	NVCC_PER10	GPIO	Input	100 kΩ pull-up
CSPI1_MOSI	D9	NVCC_PER10	GPIO	Input	100 kΩ pull-up
CSPI1_RDY	A8	NVCC_PER10	GPIO	Input	Keeper
CSPI1_SCLK	D11	NVCC_PER10	GPIO	Input	100 kΩ pull-up
CSPI1_SS0	D10	NVCC_PER10	GPIO	Input	100 kΩ pull-up
CSPI1_SS1	F13	NVCC_PER10	GPIO	Input	100 kΩ pull-up
DI_GP1	F20	NVCC_IPU6	GPIO	Input	Keeper
DI_GP2	K20	NVCC_IPU6	GPIO	Input	Keeper
DI_GP3	H23	NVCC_IPU7	GPIO	Input	100 kΩ pull-up
DI_GP4	K23	NVCC_IPU7	GPIO	Input	100 kΩ pull-up
DI1_D0_CS	W20	NVCC_IPU2	GPIO	Output	Low
DI1_D1_CS	T18	NVCC_IPU2	GPIO	Output	Low
DI1_DISP_CLK	J22	NVCC_IPU6	GPIO	Output	Low
DI1_PIN11	V18	NVCC_IPU2	GPIO	Output	Low
DI1_PIN12	W25	NVCC_IPU2	GPIO	Output	Low

Table 111. 13 × 13 mm Signal Assignments, Power Rails, and I/O (continued)

Contact Name	Contact Assignment	Power Rail	I/O Buffer Type	Direction after Reset <sup>1</sup>	Configuraton after Reset <sup>1</sup>
DI1_PIN13	W24	NVCC_IPU2	GPIO	Output	High
DI1_PIN15	G20	NVCC_IPU6	GPIO	Output	High
DI1_PIN2	J18	NVCC_IPU6	GPIO	Output	High
DI1_PIN3	H20	NVCC_IPU6	GPIO	Output	High
DI2_DISP_CLK	J24	NVCC_IPU7	GPIO	Output	High
DI2_PIN2	H24	NVCC_IPU7	GPIO	Output	High
DI2_PIN3	J25	NVCC_IPU7	GPIO	Output	High
DI2_PIN4	J23	NVCC_IPU7	GPIO	Input	Keeper
DISP1_DAT0	T23	NVCC_HS6	HSGPIO	Input	Keeper
DISP1_DAT1	T22	NVCC_HS6	HSGPIO	Input	Keeper
DISP1_DAT10 <sup>2</sup>	E24	NVCC_IPU4	GPIO	Input	Keeper
DISP1_DAT11 <sup>2</sup>	E25	NVCC_IPU4	GPIO	Input	Keeper
DISP1_DAT12 <sup>2</sup>	E22	NVCC_IPU4	GPIO	Input	Keeper
DISP1_DAT13 <sup>2</sup>	E23	NVCC_IPU4	GPIO	Input	Keeper
DISP1_DAT14 <sup>2</sup>	D22	NVCC_IPU4	GPIO	Input	Keeper
DISP1_DAT15 <sup>2</sup>	F22	NVCC_IPU4	GPIO	Input	Keeper
DISP1_DAT16 <sup>2</sup>	F23	NVCC_IPU5	GPIO	Input	Keeper
DISP1_DAT17 <sup>2</sup>	F24	NVCC_IPU5	GPIO	Input	Keeper
DISP1_DAT18 <sup>2</sup>	G23	NVCC_IPU5	GPIO	Input	Keeper
DISP1_DAT19 <sup>2</sup>	G22	NVCC_IPU5	GPIO	Input	Keeper
DISP1_DAT2	T24	NVCC_HS6	HSGPIO	Input	Keeper
DISP1_DAT20 <sup>2</sup>	G25	NVCC_IPU5	GPIO	Input	Keeper
DISP1_DAT21 <sup>2</sup>	F25	NVCC_IPU5	GPIO	Input	Keeper
DISP1_DAT22 <sup>2</sup>	G24	NVCC_IPU5	GPIO	Input	Keeper
DISP1_DAT23 <sup>2</sup>	H25	NVCC_IPU5	GPIO	Input	Keeper
DISP1_DAT3	T25	NVCC_HS6	HSGPIO	Input	Keeper
DISP1_DAT4	R23	NVCC_HS6	HSGPIO	Input	Keeper
DISP1_DAT5	R22	NVCC_HS6	HSGPIO	Input	Keeper
DISP1_DAT6 <sup>2</sup>	D25	NVCC_IPU4	GPIO	Input	Keeper
DISP1_DAT7 <sup>2</sup>	D24	NVCC_IPU4	GPIO	Input	Keeper
DISP1_DAT8 <sup>2</sup>	C23	NVCC_IPU4	GPIO	Input	Keeper
DISP1_DAT9 <sup>2</sup>	D23	NVCC_IPU4	GPIO	Input	Keeper

Table 111. 13 × 13 mm Signal Assignments, Power Rails, and I/O (continued)

Contact Name	Contact Assignment	Power Rail	I/O Buffer Type	Direction after Reset <sup>1</sup>	Configuraton after Reset <sup>1</sup>
DISP2_DAT0	T20	NVCC_IPU8	GPIO	Input	Keeper
DISP2_DAT1	P18	NVCC_IPU8	GPIO	Input	Keeper
DISP2_DAT10	R18	NVCC_IPU9	GPIO	Input	Keeper
DISP2_DAT11	V24	NVCC_IPU9	GPIO	Input	Keeper
DISP2_DAT12	M18	NVCC_IPU9	GPIO	Input	Keeper
DISP2_DAT13	U18	NVCC_IPU9	GPIO	Input	Keeper
DISP2_DAT14	U20	NVCC_IPU9	GPIO	Input	Keeper
DISP2_DAT15	V23	NVCC_IPU9	GPIO	Input	Keeper
DISP2_DAT2	U22	NVCC_HS4_2	HSGPIO	Input	Keeper
DISP2_DAT3	U23	NVCC_HS4_2	HSGPIO	Input	Keeper
DISP2_DAT4	U24	NVCC_HS4_2	HSGPIO	Input	Keeper
DISP2_DAT5	U25	NVCC_HS4_2	HSGPIO	Input	Keeper
DISP2_DAT6	R20	NVCC_IPU8	GPIO	Input	Keeper
DISP2_DAT7	V25	NVCC_IPU8	GPIO	Input	Keeper
DISP2_DAT8	L18	NVCC_IPU9	GPIO	Input	Keeper
DISP2_DAT9	V17	NVCC_IPU9	GPIO	Input	Keeper
DISPB2_SER_CLK	Y25	NVCC_IPU2	GPIO	Output	High
DISPB2_SER_DIN	Y23	NVCC_IPU2	GPIO	Input	100 kΩ pull-up
DISPB2_SER_DIO	Y20	NVCC_IPU2	GPIO	Input	100 kΩ pull-up
DISPB2_SER_RS	W23	NVCC_IPU2	GPIO	Output	High
DN	K25	VDDA33	Analog	Output	–
DP	K24	VDDA33	Analog	Output	–
DRAM_A0	V4	NVCC_EMI_DRAM	DDR2	Output	High
DRAM_A1	V3	NVCC_EMI_DRAM	DDR2	Output	High
DRAM_A10	T4	NVCC_EMI_DRAM	DDR2	Output	High
DRAM_A11	R1	NVCC_EMI_DRAM	DDR2	Output	High
DRAM_A12	P2	NVCC_EMI_DRAM	DDR2	Output	High
DRAM_A13	R4	NVCC_EMI_DRAM	DDR2	Output	High
DRAM_A14	R2	NVCC_EMI_DRAM	DDR2	Output	High
DRAM_A2	U4	NVCC_EMI_DRAM	DDR2	Output	High
DRAM_A3	U3	NVCC_EMI_DRAM	DDR2	Output	High
DRAM_A4	U1	NVCC_EMI_DRAM	DDR2	Output	High

Table 111. 13 × 13 mm Signal Assignments, Power Rails, and I/O (continued)

Contact Name	Contact Assignment	Power Rail	I/O Buffer Type	Direction after Reset <sup>1</sup>	Configuraton after Reset <sup>1</sup>
DRAM_A5	U2	NVCC_EMI_DRAM	DDR2	Output	High
DRAM_A6	T1	NVCC_EMI_DRAM	DDR2	Output	High
DRAM_A7	T2	NVCC_EMI_DRAM	DDR2	Output	High
DRAM_A8	T3	NVCC_EMI_DRAM	DDR2	Output	High
DRAM_A9	P1	NVCC_EMI_DRAM	DDR2	Output	High
DRAM_CAS	N4	NVCC_EMI_DRAM	DDR2	Output	High
DRAM_CS0	P3	NVCC_EMI_DRAM	DDR2	Output	High
DRAM_CS1	R3	NVCC_EMI_DRAM	DDR2	Output	High
DRAM_D0	AC4	NVCC_EMI_DRAM	DDR2	Output	High
DRAM_D1	AC3	NVCC_EMI_DRAM	DDR2	Output	High
DRAM_D10	AA2	NVCC_EMI_DRAM	DDR2	Output	High
DRAM_D11	AA1	NVCC_EMI_DRAM	DDR2	Output	High
DRAM_D12	AB2	NVCC_EMI_DRAM	DDR2	Output	High
DRAM_D13	AB1	NVCC_EMI_DRAM	DDR2	Output	High
DRAM_D14	AC2	NVCC_EMI_DRAM	DDR2	Output	High
DRAM_D15	AC1	NVCC_EMI_DRAM	DDR2	Output	High
DRAM_D16	F2	NVCC_EMI_DRAM	DDR2	Output	High
DRAM_D17	F3	NVCC_EMI_DRAM	DDR2	Output	High
DRAM_D18	G3	NVCC_EMI_DRAM	DDR2	Output	High
DRAM_D19	F4	NVCC_EMI_DRAM	DDR2	Output	High
DRAM_D2	AB3	NVCC_EMI_DRAM	DDR2	Output	High
DRAM_D20	H3	NVCC_EMI_DRAM	DDR2	Output	High
DRAM_D21	G4	NVCC_EMI_DRAM	DDR2	Output	High
DRAM_D22	J3	NVCC_EMI_DRAM	DDR2	Output	High
DRAM_D23	H4	NVCC_EMI_DRAM	DDR2	Output	High
DRAM_D24	J4	NVCC_EMI_DRAM	DDR2	Output	High
DRAM_D25	J1	NVCC_EMI_DRAM	DDR2	Output	High
DRAM_D26	J2	NVCC_EMI_DRAM	DDR2	Output	High
DRAM_D27	H1	NVCC_EMI_DRAM	DDR2	Output	High
DRAM_D28	H2	NVCC_EMI_DRAM	DDR2	Output	High
DRAM_D29	G1	NVCC_EMI_DRAM	DDR2	Output	High
DRAM_D3	AB4	NVCC_EMI_DRAM	DDR2	Output	High

Table 111. 13 × 13 mm Signal Assignments, Power Rails, and I/O (continued)

Contact Name	Contact Assignment	Power Rail	I/O Buffer Type	Direction after Reset <sup>1</sup>	Configuraton after Reset <sup>1</sup>
DRAM_D30	G2	NVCC_EMI_DRAM	DDR2	Output	High
DRAM_D31	F1	NVCC_EMI_DRAM	DDR2	Output	High
DRAM_D4	AA3	NVCC_EMI_DRAM	DDR2	Output	High
DRAM_D5	AA4	NVCC_EMI_DRAM	DDR2	Output	High
DRAM_D6	Y3	NVCC_EMI_DRAM	DDR2	Output	High
DRAM_D7	Y4	NVCC_EMI_DRAM	DDR2	Output	High
DRAM_D8	Y1	NVCC_EMI_DRAM	DDR2	Output	High
DRAM_D9	Y2	NVCC_EMI_DRAM	DDR2	Output	High
DRAM_DQM0	V1	NVCC_EMI_DRAM	DDR2	Output	High
DRAM_DQM1	V2	NVCC_EMI_DRAM	DDR2	Output	High
DRAM_DQM2	M4	NVCC_EMI_DRAM	DDR2	Output	High
DRAM_DQM3	N2	NVCC_EMI_DRAM	DDR2	Output	High
DRAM_RAS	N3	NVCC_EMI_DRAM	DDR2	Output	High
DRAM_SDCKE0	N1	NVCC_EMI_DRAM	DDR2	Output	High
DRAM_SDCKE1	L1	NVCC_EMI_DRAM	DDR2	Output	High
DRAM_SDCLK	M1	NVCC_EMI_DRAM	DDR2CLK	Output	High
DRAM_SDCLK_B	M2	NVCC_EMI_DRAM	DDR2CLK	Output	High
DRAM_SDQS0	W3	NVCC_EMI_DRAM	DDR2CLK	Output	High
DRAM_SDQS0_B	W4	NVCC_EMI_DRAM	DDR2CLK	Output	High
DRAM_SDQS1	W2	NVCC_EMI_DRAM	DDR2CLK	Output	High
DRAM_SDQS1_B	W1	NVCC_EMI_DRAM	DDR2CLK	Output	High
DRAM_SDQS2	K3	NVCC_EMI_DRAM	DDR2CLK	Output	High
DRAM_SDQS2_B	K4	NVCC_EMI_DRAM	DDR2CLK	Output	High
DRAM_SDQS3	K2	NVCC_EMI_DRAM	DDR2CLK	Output	High
DRAM_SDQS3_B	K1	NVCC_EMI_DRAM	DDR2CLK	Output	High
DRAM_SDWE	M3	NVCC_EMI_DRAM	DDR2	Output	High
EIM_A16 <sup>2</sup>	Y12	NVCC_EMI	GPIO	Input	100 kΩ pull-up
EIM_A17 <sup>2</sup>	AE6	NVCC_EMI	GPIO	Input	100 kΩ pull-up
EIM_A18 <sup>2</sup>	Y13	NVCC_EMI	GPIO	Input	100 kΩ pull-up
EIM_A19 <sup>2</sup>	AE7	NVCC_EMI	GPIO	Input	100 kΩ pull-up
EIM_A20 <sup>2</sup>	Y6	NVCC_EMI	GPIO	Input	100 kΩ pull-up
EIM_A21 <sup>2</sup>	AD6	NVCC_EMI	GPIO	Input	100 kΩ pull-up

Table 111. 13 × 13 mm Signal Assignments, Power Rails, and I/O (continued)

Contact Name	Contact Assignment	Power Rail	I/O Buffer Type	Direction after Reset <sup>1</sup>	Configuraton after Reset <sup>1</sup>
EIM_A22	AB9	NVCC_EMI	GPIO	Output	High
EIM_A23 <sup>2</sup>	AE5	NVCC_EMI	GPIO	Input	100 kΩ pull-up
EIM_A24	Y9	NVCC_EMI	GPIO	Input	100 kΩ pull-up
EIM_A25	AD5	NVCC_EMI	GPIO	Input	100 kΩ pull-up
EIM_A26	AB7	NVCC_EMI	GPIO	Input	100 kΩ pull-up
EIM_A27	AC6	NVCC_EMI	GPIO	Input	Keeper
EIM_BCLK	Y10	NVCC_EMI	GPIO	Input	Keeper
EIM_CRE	V6	NVCC_EMI	GPIO	Output	High
EIM_CS0	Y17	NVCC_EMI	GPIO	Output	High
EIM_CS1	W6	NVCC_EMI	GPIO	Output	High
EIM_CS2	AE4	NVCC_EMI	GPIO	Input	Keeper
EIM_CS3	Y8	NVCC_EMI	GPIO	Input	Keeper
EIM_CS4	AC7	NVCC_EMI	GPIO	Input	Keeper
EIM_CS5	Y7	NVCC_EMI	GPIO	Input	Keeper
EIM_D16	AB12	NVCC_EMI	GPIO	Input	Keeper
EIM_D17	AE8	NVCC_EMI	GPIO	Input	Keeper
EIM_D18	AD9	NVCC_EMI	GPIO	Input	Keeper
EIM_D19	AC10	NVCC_EMI	GPIO	Input	Keeper
EIM_D20	AD10	NVCC_EMI	GPIO	Input	Keeper
EIM_D21	AE10	NVCC_EMI	GPIO	Input	Keeper
EIM_D22	AE11	NVCC_EMI	GPIO	Input	Keeper
EIM_D23	AB11	NVCC_EMI	GPIO	Input	Keeper
EIM_D24	AE9	NVCC_EMI	GPIO	Input	Keeper
EIM_D25	AC9	NVCC_EMI	GPIO	Input	Keeper
EIM_D26	AD8	NVCC_EMI	GPIO	Input	Keeper
EIM_D27	AB10	NVCC_EMI	GPIO	Input	Keeper
EIM_D28	Y11	NVCC_EMI	GPIO	Input	Keeper
EIM_D29	AD7	NVCC_EMI	GPIO	Input	Keeper
EIM_D30	AC8	NVCC_EMI	GPIO	Input	Keeper
EIM_D31	AB8	NVCC_EMI	GPIO	Input	Keeper
EIM_DA0	AE15	NVCC_EMI	GPIO	Input	Keeper
EIM_DA1	AD15	NVCC_EMI	GPIO	Input	Keeper



Table 111. 13 × 13 mm Signal Assignments, Power Rails, and I/O (continued)

Contact Name	Contact Assignment	Power Rail	I/O Buffer Type	Direction after Reset <sup>1</sup>	Configuraton after Reset <sup>1</sup>
EIM_DA10	AC13	NVCC_EMI	GPIO	Input	Keeper
EIM_DA11	AE12	NVCC_EMI	GPIO	Input	Keeper
EIM_DA12	AE13	NVCC_EMI	GPIO	Input	Keeper
EIM_DA13	AD12	NVCC_EMI	GPIO	Input	Keeper
EIM_DA14	AC12	NVCC_EMI	GPIO	Input	Keeper
EIM_DA15	AD11	NVCC_EMI	GPIO	Input	Keeper
EIM_DA2	AC15	NVCC_EMI	GPIO	Input	Keeper
EIM_DA3	AB16	NVCC_EMI	GPIO	Input	Keeper
EIM_DA4	AE16	NVCC_EMI	GPIO	Input	Keeper
EIM_DA5	Y18	NVCC_EMI	GPIO	Input	Keeper
EIM_DA6	AB15	NVCC_EMI	GPIO	Input	Keeper
EIM_DA7	AC14	NVCC_EMI	GPIO	Input	Keeper
EIM_DA8	AB14	NVCC_EMI	GPIO	Input	Keeper
EIM_DA9	AD13	NVCC_EMI	GPIO	Input	Keeper
EIM_DTACK	AC5	NVCC_EMI	GPIO	Input	100 kΩ pull-up
EIM_EB0	AD14	NVCC_EMI	GPIO	Output	High
EIM_EB1	AE14	NVCC_EMI	GPIO	Output	High
EIM_EB2	AB13	NVCC_EMI	GPIO	Input	Keeper
EIM_EB3	AC11	NVCC_EMI	GPIO	Input	Keeper
EIM_LBA	AB5	NVCC_EMI	GPIO	Output	High
EIM_OE	Y14	NVCC_EMI	GPIO	Output	High
EIM_RW	Y15	NVCC_EMI	GPIO	Output	High
EIM_SDBA0	P4	NVCC_EMI_DRAM	DDR2	Output	High
EIM_SDBA1	L4	NVCC_EMI_DRAM	DDR2	Output	High
EIM_SDBA2	K6	NVCC_EMI_DRAM	DDR2	Output	High
EIM_SDODT0	L2	NVCC_EMI_DRAM	DDR2	Output	High
EIM_SDODT1	L3	NVCC_EMI_DRAM	DDR2	Output	High
EIM_WAIT	AB6	NVCC_EMI	GPIO	Input	100 kΩ pull-up
EXTAL	AD23	NVCC_OSC	Analog	Input	–
FASTR_ANA	AE22	NVCC_PER3	–	Input	–
FASTR_DIG	AC21	NVCC_PER3	–	Input	–
GPANAIO	K22	NVCC_USBPHY	Analog	Output	–



Table 111. 13 × 13 mm Signal Assignments, Power Rails, and I/O (continued)

Contact Name	Contact Assignment	Power Rail	I/O Buffer Type	Direction after Reset <sup>1</sup>	Configuraton after Reset <sup>1</sup>
GPIO_NAND	C3	NVCC_NANDF_A	UHVIO	Input	100 kΩ pull-up
GPIO1_0	H18	NVCC_PER5	GPIO	Input	Keeper
GPIO1_1	C21	NVCC_PER5	GPIO	Input	Keeper
GPIO1_2	B23	NVCC_PER5	GPIO	Input	Keeper
GPIO1_3	A22	NVCC_PER5	GPIO	Input	Keeper
GPIO1_4	B22	NVCC_PER5	GPIO	Input	Keeper
GPIO1_5	C22	NVCC_PER5	GPIO	Input	Keeper
GPIO1_6	B24	NVCC_PER5	GPIO	Input	Keeper
GPIO1_7	A23	NVCC_PER5	GPIO	Input	Keeper
GPIO1_8	C24	NVCC_PER5	GPIO	Input	Keeper
GPIO1_9	C25	NVCC_PER5	GPIO	Input	Keeper
I2C1_CLK	AB19	NVCC_I2C	I2CIO	Input	47 kΩ pull-up
I2C1_DAT	Y19	NVCC_I2C	I2CIO	Input	47 kΩ pull-up
ID	L25	NVCC_USBPHY	Analog	Input	Pull-up
IOB	AE21	AHVDDRGB	Analog	Output	—
IOB_BACK	AD21	—	Analog	Output	—
IOG	AE20	AHVDDRGB	Analog	Output	—
IOG_BACK	AD20	—	Analog	Output	—
IOR	AE19	AHVDDRGB	Analog	Output	—
IOR_BACK	AD19	—	Analog	Output	—
JTAG_DE_B	AC16	NVCC_PER14	GPIO	Input/ Open-drain output	47 kΩ pull-up
JTAG_MOD	AD16	NVCC_PER14	GPIO	Input	100 kΩ pull-down
JTAG_TCK	AD18	NVCC_PER14	GPIO	Input	100 kΩ pull-down
JTAG_TDI	AB17	NVCC_PER14	GPIO	Input	47 kΩ pull-up
JTAG_TDO	AD17	NVCC_PER14	GPIO	3-state output	Keeper
JTAG_TMS	AC17	NVCC_PER14	GPIO	Input	47 kΩ pull-up
JTAG_TRSTB	AE17	NVCC_PER14	GPIO	Input	47 kΩ pull-up
KEY_COL0	B16	NVCC_PER13	GPIO	Input	100 kΩ pull-up
KEY_COL1	C16	NVCC_PER13	GPIO	Input	100 kΩ pull-up
KEY_COL2	D16	NVCC_PER13	GPIO	Input	100 kΩ pull-up

Table 111. 13 × 13 mm Signal Assignments, Power Rails, and I/O (continued)

Contact Name	Contact Assignment	Power Rail	I/O Buffer Type	Direction after Reset <sup>1</sup>	Configuraton after Reset <sup>1</sup>
KEY_COL3 <sup>3</sup>	A16	NVCC_PER13	GPIO	Output	High
KEY_COL4 <sup>3</sup>	B17	NVCC_PER13	GPIO	Output	Low
KEY_COL5 <sup>3</sup>	A17	NVCC_PER13	GPIO	Output	Low
KEY_ROW0	B15	NVCC_PER13	GPIO	Input	100 kΩ pull-up
KEY_ROW1	C15	NVCC_PER13	GPIO	Input	100 kΩ pull-up
KEY_ROW2	F15	NVCC_PER13	GPIO	Input	100 kΩ pull-up
KEY_ROW3	D15	NVCC_PER13	GPIO	Input	100 kΩ pull-up
NANDF_ALE	E1	NVCC_NANDF_A	UHVIO	Output	High
NANDF_CLE	E2	NVCC_NANDF_A	UHVIO	Output	High
NANDF_CS0	D4	NVCC_NANDF_A	UHVIO	Output	High
NANDF_CS1	D1	NVCC_NANDF_A	UHVIO	Output	High
NANDF_CS2	D5	NVCC_NANDF_A	UHVIO	Output	High
NANDF_CS3	B2	NVCC_NANDF_A	UHVIO	Output	High
NANDF_CS4	B3	NVCC_NANDF_A	UHVIO	Output	Low
NANDF_CS5	C4	NVCC_NANDF_A	UHVIO	Output	Low
NANDF_CS6	A2	NVCC_NANDF_B	UHVIO	Output	Low
NANDF_CS7	F7	NVCC_NANDF_B	UHVIO	Output	Low
NANDF_D0	D7	NVCC_NANDF_C	UHVIO	Input	Keeper
NANDF_D1	F9	NVCC_NANDF_C	UHVIO	Input	Keeper
NANDF_D10	C5	NVCC_NANDF_B	UHVIO	Input	Keeper
NANDF_D11	B4	NVCC_NANDF_B	UHVIO	Input	Keeper
NANDF_D12	A3	NVCC_NANDF_B	UHVIO	Input	Keeper
NANDF_D13	F10	NVCC_NANDF_B	UHVIO	Input	Keeper
NANDF_D14	E4	NVCC_NANDF_B	UHVIO	Input	Keeper
NANDF_D15	J6	NVCC_NANDF_B	UHVIO	Input	Keeper
NANDF_D2	C6	NVCC_NANDF_C	UHVIO	Input	Keeper
NANDF_D3	B5	NVCC_NANDF_C	UHVIO	Input	Keeper
NANDF_D4	B6	NVCC_NANDF_C	UHVIO	Input	Keeper
NANDF_D5	F8	NVCC_NANDF_C	UHVIO	Input	Keeper
NANDF_D6	A6	NVCC_NANDF_C	UHVIO	Input	Keeper
NANDF_D7	A5	NVCC_NANDF_B	UHVIO	Input	Keeper
NANDF_D8	A4	NVCC_NANDF_B	UHVIO	Input	Keeper

Table 111. 13 × 13 mm Signal Assignments, Power Rails, and I/O (continued)

Contact Name	Contact Assignment	Power Rail	I/O Buffer Type	Direction after Reset <sup>1</sup>	Configuraton after Reset <sup>1</sup>
NANDF_D9	H6	NVCC_NANDF_B	UHVIO	Input	Keeper
NANDF_RB0	D2	NVCC_NANDF_A	UHVIO	Input	100 kΩ pull-up
NANDF_RB1	C1	NVCC_NANDF_A	UHVIO	Input	100 kΩ pull-up
NANDF_RB2	D3	NVCC_NANDF_A	UHVIO	Input	100 kΩ pull-up
NANDF_RB3	C2	NVCC_NANDF_A	UHVIO	Input	100 kΩ pull-up
NANDF_RDY_INT	D6	NVCC_NANDF_B	UHVIO	Input	100 kΩ pull-up
NANDF_RE_B	F6	NVCC_NANDF_A	UHVIO	Output	—
NANDF_WE_B	G6	NVCC_NANDF_A	UHVIO	Output	—
NANDF_WP_B	E3	NVCC_NANDF_A	UHVIO	Output	—
OWIRE_LINE	A15	NVCC_PER12	GPIO	Input	100 kΩ pull-up
PMIC_INT_REQ	AC18	NVCC_SRTC_POW	GPIO	Input	100 kΩ pull-up
PMIC_ON_REQ	AE18	NVCC_SRTC_POW	GPIO	Input	100 kΩ pull-up
PMIC_RDY	AC19	NVCC_SRTC_POW	GPIO	Input	100 kΩ pull-up
PMIC_STBY_REQ	AB18	NVCC_SRTC_POW	GPIO	Input	100 kΩ pull-up
POR_B	Y24	NVCC_PER3	LVIO	Input	100 kΩ pull-up
RESET_IN_B	AA25	NVCC_PER3	LVIO	Input	100 kΩ pull-up
SD1_CLK	A18	NVCC_PER15	UHVIO	Output	—
SD1_CMD	C17	NVCC_PER15	UHVIO	Input	47 kΩ pull-up
SD1_DATA0	B18	NVCC_PER15	UHVIO	Input	47 kΩ pull-up
SD1_DATA1	D17	NVCC_PER15	UHVIO	Input	47 kΩ pull-up
SD1_DATA2	D18	NVCC_PER15	UHVIO	Input	47 kΩ pull-up
SD1_DATA3	C18	NVCC_PER15	UHVIO	Input	360 kΩ pull-down
SD2_CLK	A19	NVCC_PER17	UHVIO	Output	—
SD2_CMD	F16	NVCC_PER17	UHVIO	Input	47 kΩ pull-up
SD2_DATA0	F18	NVCC_PER17	UHVIO	Input	47 kΩ pull-up
SD2_DATA1	B21	NVCC_PER17	UHVIO	Input	47 kΩ pull-up
SD2_DATA2	A21	NVCC_PER17	UHVIO	Input	47 kΩ pull-up
SD2_DATA3	F17	NVCC_PER17	UHVIO	Input	360 kΩ pull-down
STR	D14	NVCC_PER12		—	—
TEST_MODE	AB25	NVCC_PER3	GPIO	Input	100 kΩ pull-down

Table 111. 13 × 13 mm Signal Assignments, Power Rails, and I/O (continued)

Contact Name	Contact Assignment	Power Rail	I/O Buffer Type	Direction after Reset <sup>1</sup>	Configuraton after Reset <sup>1</sup>
UART1_CTS	B13	NVVCC_PER12	GPIO	Input	100 kΩ pull-up
UART1_RTS	C13	NVVCC_PER12	GPIO	Input	100 kΩ pull-up
UART1_RXD	D13	NVVCC_PER12	GPIO	Input	100 kΩ pull-up
UART1_TXD	A12	NVVCC_PER12	GPIO	Input	100 kΩ pull-up
UART2_RXD	A13	NVVCC_PER12	GPIO	Input	100 kΩ pull-up
UART2_TXD	C14	NVVCC_PER12	GPIO	Input	100 kΩ pull-up
UART3_RXD	B14	NVVCC_PER12	GPIO	Input	Keeper
UART3_TXD	A14	NVVCC_PER12	GPIO	Input	Keeper
USBH1_CLK	C11	NVCC_PER11	GPIO	Input	Keeper
USBH1_DATA0	B11	NVCC_PER11	GPIO	Input	Keeper
USBH1_DATA1	A10	NVCC_PER11	GPIO	Input	Keeper
USBH1_DATA2	A9	NVCC_PER11	GPIO	Input	Keeper
USBH1_DATA3	C10	NVCC_PER11	GPIO	Input	Keeper
USBH1_DATA4	B9	NVCC_PER11	GPIO	Input	Keeper
USBH1_DATA5	F14	NVCC_PER11	GPIO	Input	Keeper
USBH1_DATA6	C12	NVCC_PER11	GPIO	Input	Keeper
USBH1_DATA7	B12	NVCC_PER11	GPIO	Input	Keeper
USBH1_DIR	B10	NVCC_PER11	GPIO	Input	Keeper
USBH1_NXT	D12	NVCC_PER11	GPIO	Input	Keeper
USBH1_STP	A11	NVCC_PER11	GPIO	Input	Keeper
XTAL	AE23	NVCC_OSC	Analog	Output	—

<sup>1</sup> The state immediately after reset and before ROM firmware or software has executed.

<sup>2</sup> During power-on reset this port acts as input for fuse override signal. See [Table 115 on page 172](#) for details

<sup>3</sup> During power-on reset this port acts as output for diagnostic signal. See [Table 115 on page 172](#) for details

Because of an order from the United States International Trade Commission, BGA-packaged product lines and part numbers indicated here currently are not available from Freescale for import or sale in the United States prior to September 2010: MCIMX512DVK8C, MCIMX513DVK8C, MCIMX515DVK8C, and MCIMX511DVK8C.

### 4.1.2.3 13 × 13 mm No Connect Assignments

Table 112 shows the device No Connect assignment list.

**Table 112. 13 × 13 mm No Connect Assignments**

Ball Status	Ball Assignments
NC	E5
NC	E6
NC	E8
NC	E9
NC	E11
NC	E12
NC	E14
NC	E15
NC	E17
NC	E18
NC	E20
NC	E21
NC	F5
NC	F21
NC	G7
NC	G8
NC	G9
NC	G10
NC	G11
NC	G12
NC	G13
NC	G14
NC	G15
NC	G16
NC	G17
NC	G18
NC	G19
NC	G21
NC	H5
NC	H7

**Table 112. 13 × 13 mm No Connect Assignments (continued)**

Ball Status	Ball Assignments
NC	H17
NC	H19
NC	H21
NC	J5
NC	J7
NC	J17
NC	J19
NC	J21
NC	K7
NC	K17
NC	K19
NC	K21
NC	L7
NC	L17
NC	L19
NC	M7
NC	M17
NC	M19
NC	M21
NC	N7
NC	N17
NC	N19
NC	N21
NC	P5
NC	P7
NC	P17
NC	P19
NC	R7
NC	R17
NC	R19
NC	R21
NC	T7
NC	T17

Because of an order from the United States International Trade Commission, BGA-packaged product lines and part numbers indicated here currently are not available from Freescale for import or sale in the United States prior to September 2010: MCIMX512DVK8C, MCIMX513DVK8C, MCIMX515DVK8C, and MCIMX511DVK8C.

Table 112. 13 × 13 mm No Connect Assignments (continued)

Ball Status	Ball Assignments
NC	T19
NC	T21
NC	U7
NC	U17
NC	U19
NC	V5
NC	V7
NC	V19
NC	V21
NC	W7
NC	W8
NC	W9
NC	W10
NC	W11
NC	W12
NC	W13
NC	W14
NC	W15
NC	W16
NC	W17
NC	W18
NC	W19
NC	W21
NC	Y21
NC	AA6
NC	AA8
NC	AA9
NC	AA11
NC	AA12
NC	AA14
NC	AA15
NC	AA17
NC	AA18

**Table 112. 13 × 13 mm No Connect Assignments (continued)**

Ball Status	Ball Assignments
NC	AA20
NC	AA21

### 4.1.3 13 × 13 mm Ball Map

See [Section 4.3, “13 × 13 mm, 0.5 Pitch Ball Map.”](#)

## 4.2 19 × 19 mm Package Information

This section contains the outline drawing, signal assignment map, ground/power/reference ID (by ball grid location) for the 19 × 19 mm, 0.8 mm pitch package.

Because of an order from the United States International Trade Commission, BGA-packaged product lines and part numbers indicated here currently are not available from Freescale for import or sale in the United States prior to September 2010: MCIMX512DVK8C, MCIMX513DVK8C, MCIMX515DVK8C, and MCIMX511DVK8C.



### 4.2.1 BGA—Case 2017, 19 × 19 mm, 0.8 mm Pitch

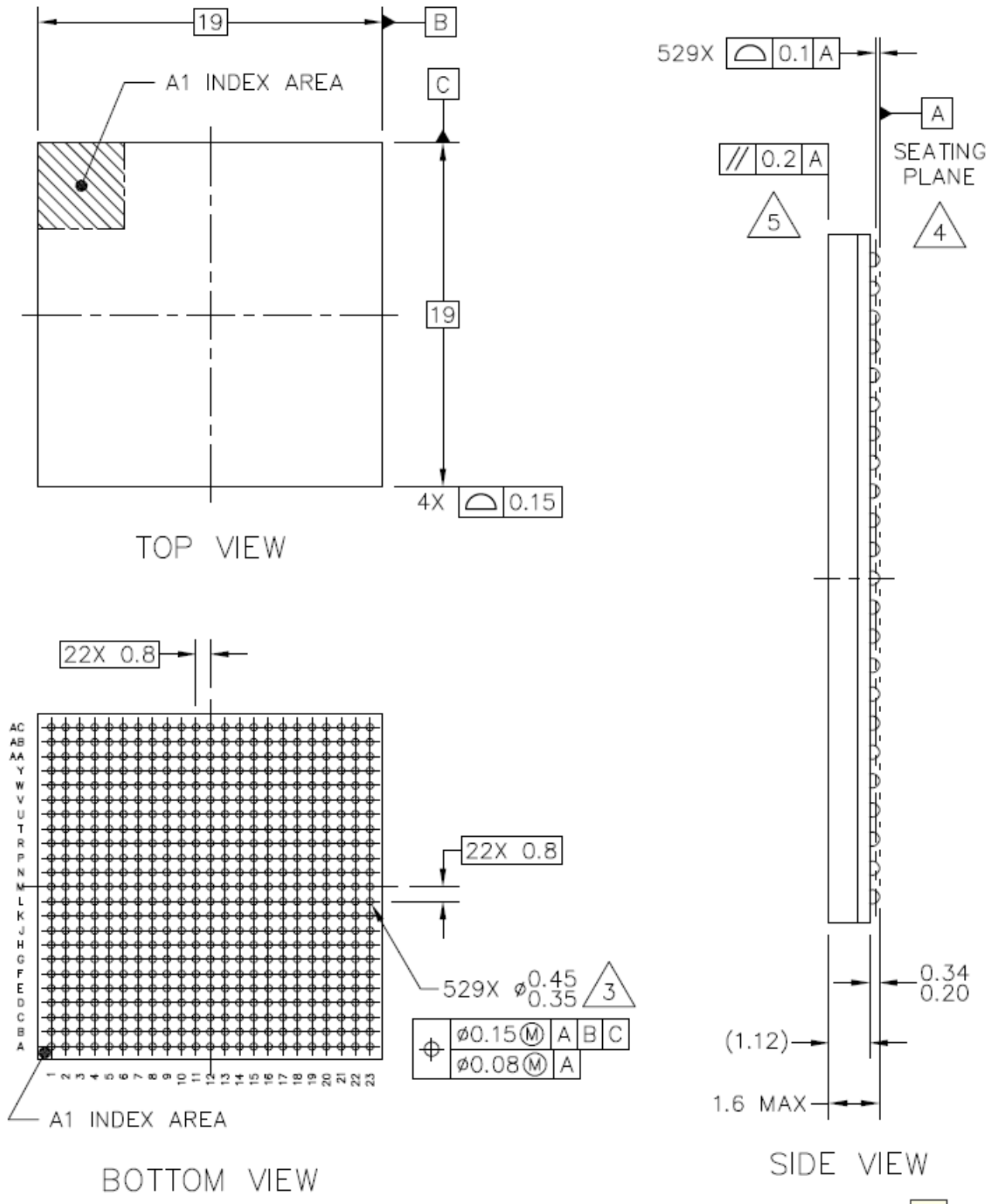


Figure 103. 19x 19 mm Package: Case 2017-01—0.8 mm Pitch

Because of an order from the United States International Trade Commission, BGA-packaged product lines and part numbers indicated here currently are not available from Freescale for import or sale in the United States prior to September 2010: MCIMX512DVK8C, MCIMX513DVK8C, MCIMX515DVK8C, and MCIMX511DVK8C.

### 4.2.1.1 19 × 19 mm Package Drawing Notes

The following notes apply to [Figure 103](#).

- <sup>1</sup> All dimensions in millimeters.
- <sup>2</sup> Dimensioning and tolerancing per ASME Y14.5M-1994.
- <sup>3</sup> Maximum solder ball diameter measured parallel to Datum A.
- <sup>4</sup> Datum A, the seating plane, is determined by the spherical crowns of the solder balls.
- <sup>5</sup> Parallelism measurement shall exclude any effect of mark on top surface of package.

### 4.2.2 19 × 19 mm Signal Assignments, Power Rails, and I/O

[Table 113](#) shows the device connection list and [Table 114](#) displays an alpha-sorted list of the signal assignments including associated power supplies.

#### 4.2.2.1 19 × 19 mm Ground, Power, Sense, and Reference Contact Assignments

[Table 113](#) shows the device connection list for ground, power, sense, and reference contact signals alpha-sorted by name.

**Table 113. 19 × 19 mm Ground, Power, Sense, and Reference Contact Assignments**

Contact Name	Contact Assignment
AHVDDRGB	Y18, AA18
AHVSSRGB	Y19, AA19
GND	A1, A23, G5, H9, J8, J9, J10, J12, J13, J14, K8, K9, K10, K11, K12, K13, K14, L8, L9, L10, L11, L12, L13, L14, M9, M10, M11, M12, M13, M14, M15, N8, N9, N10, N11, N12, N13, N14, N15, N16, P8, P9, P10, P11, P12, P13, P14, P15, R8, R9, R10, R11, R12, R13, R14, R15, R16, T5, T16, AC1, AC21, AC23
GND_ANA_PLL_A	U7
GND_ANA_PLL_B	U17
GND_DIG_PLL_A	T7
GND_DIG_PLL_B	V18
NGND_OSC	V17
NGND_TV_BACK	T15
NGND_USBPHY	L16
NVCC_EMI	U8, U9, U10, U11, U12, V7
NVCC_EMI_DRAM	H6, J6, K6, L6, M6, N6, P6, R6, T6
NVCC_HS10	M16
NVCC_HS4_1	M18
NVCC_HS4_2	N18
NVCC_HS6	M17
NVCC_I2C	T14

Table 113. 19 × 19 mm Ground, Power, Sense, and Reference Contact Assignments (continued)

Contact Name	Contact Assignment
NVCC_IPU2	T18
NVCC_IPU4	G16
NVCC_IPU5	H17
NVCC_IPU6	J17
NVCC_IPU7	K17
NVCC_IPU8	P18
NVCC_IPU9	R18
NVCC_NANDF_A	E6, F5
NVCC_NANDF_B	G9
NVCC_NANDF_C	G10
NVCC_OSC	W17
NVCC_PER3	U18
NVCC_PER5	G15
NVCC_PER8	H16
NVCC_PER9	H10
NVCC_PER10	H11
NVCC_PER11	G11
NVCC_PER12	G12
NVCC_PER13	G13
NVCC_PER14	U13
NVCC_PER15	H15
NVCC_PER17	G14
NVCC_SRTC_POW	U14
NVCC_TV_BACK	U16
NVCC_USBPHY	L17
RREFEXT	K19
SGND	J11
SVCC	H14
SVDDGP	F13
TVDAC_DHVDD	V16
VBUS	K20
VCC	H13, J15, J16, K15, K16, L7, L15, M7, N7, N17, P7, P17, R17, T8, T9, T10, T11, T12, T17
VDD_ANA_PLL_A	V6

**Table 113. 19 × 19 mm Ground, Power, Sense, and Reference Contact Assignments (continued)**

Contact Name	Contact Assignment
VDD_ANA_PLL_B	W19
VDD_DIG_PLL_A	U6
VDD_DIG_PLL_B	W18
VDD_FUSE	R7
VDDA	G8, H8, H12, M8, P16, T13
VDDA33	L18
VDDGP	F6, F7, F8, F9, F10, F11, F12, G6, G7, H7, J7, K7
VREFOUT	U15
VREF	R5
VREG	K21

#### 4.2.2.2 19 × 19 mm, Signal Assignments, Power Rails, and I/O

Table 114 displays an alpha-sorted list of the signal assignments including power rails.

**Table 114. 19 x 19 mm Signal Assignments, Power Rails, and I/O**

Contact Name	Contact Assignment	Power Rail	I/O Buffer Type	Direction after Reset <sup>1</sup>	Configuraton after Reset <sup>1</sup>
AUD3_BB_CK	C8	NVCC_PER9	GPIO	Input	Keeper
AUD3_BB_FS	A9	NVCC_PER9	GPIO	Input	Keeper
AUD3_BB_RXD	B9	NVCC_PER9	GPIO	Input	Keeper
AUD3_BB_TXD	E9	NVCC_PER9	GPIO	Input	Keeper
BOOT_MODE0	AB21	NVCC_PER3	LVIO	Input	100 kΩ pull-up
BOOT_MODE1	AB22	NVCC_PER3	LVIO	Input	100 kΩ pull-up
CKIH1	V19	NVCC_PER3	Analog	Input	Analog
CKIH2	AA20	NVCC_PER3	Analog	Input	Analog
CKIL	Y16	NVCC_SRTC_POW	GPIO	Input	Standard CMOS
CLK_SS	AA21	NVCC_PER3	LVIO	Input	100 kΩ pull-up
COMP	Y17	AHVDDRGB	Analog	Input	Analog
CSI1_D10	R22	NVCC_HS10	HSGPIO	Input	Keeper
CSI1_D11	R23	NVCC_HS10	HSGPIO	Input	Keeper
CSI1_D12	P22	NVCC_HS10	HSGPIO	Input	Keeper
CSI1_D13	P23	NVCC_HS10	HSGPIO	Input	Keeper
CSI1_D14	M20	NVCC_HS10	HSGPIO	Input	Keeper

Table 114. 19 x 19 mm Signal Assignments, Power Rails, and I/O (continued)

Contact Name	Contact Assignment	Power Rail	I/O Buffer Type	Direction after Reset <sup>1</sup>	Configuraton after Reset <sup>1</sup>
CSI1_D15	M21	NVCC_HS10	HSGPIO	Input	Keeper
CSI1_D16	N22	NVCC_HS10	HSGPIO	Input	Keeper
CSI1_D17	N23	NVCC_HS10	HSGPIO	Input	Keeper
CSI1_D18	M22	NVCC_HS10	HSGPIO	Input	Keeper
CSI1_D19	M23	NVCC_HS10	HSGPIO	Input	Keeper
CSI1_D8	E18	NVCC_PER8	GPIO	Input	Keeper
CSI1_D9	A21	NVCC_PER8	GPIO	Input	Keeper
CSI1_HSYNC	A20	NVCC_PER8	GPIO	Input	Keeper
CSI1_MCLK	B20	NVCC_PER8	GPIO	Input	Keeper
CSI1_PIXCLK	F18	NVCC_PER8	GPIO	Input	Keeper
CSI1_VSYNC	G18	NVCC_PER8	GPIO	Input	Keeper
CSI2_D12	B8	NVCC_PER9	GPIO	Input	Keeper
CSI2_D13	C7	NVCC_PER9	GPIO	Input	Keeper
CSI2_D14	L20	NVCC_HS4_1	HSGPIO	Input	Keeper
CSI2_D15	L21	NVCC_HS4_1	HSGPIO	Input	Keeper
CSI2_D16	L22	NVCC_HS4_1	HSGPIO	Input	Keeper
CSI2_D17	L23	NVCC_HS4_1	HSGPIO	Input	Keeper
CSI2_D18	D9	NVCC_PER9	GPIO	Input	Keeper
CSI2_D19	A8	NVCC_PER9	GPIO	Input	Keeper
CSI2_HSYNC	C18	NVCC_PER8	GPIO	Input	Keeper
CSI2_PIXCLK	E19	NVCC_PER8	GPIO	Input	Keeper
CSI2_VSYNC	F19	NVCC_PER8	GPIO	Input	Keeper
CSPI1_MISO	C10	NVCC_PER10	GPIO	Input	100 kΩ pull-up
CSPI1_MOSI	D10	NVCC_PER10	GPIO	Input	100 kΩ pull-up
CSPI1_RDY	C9	NVCC_PER10	GPIO	Input	Keeper
CSPI1_SCLK	A10	NVCC_PER10	GPIO	Input	100 kΩ pull-up
CSPI1_SS0	E10	NVCC_PER10	GPIO	Input	100 kΩ pull-up
CSPI1_SS1	B10	NVCC_PER10	GPIO	Input	100 kΩ pull-up
DI_GP1	H21	NVCC_IPU6	GPIO	Input	Keeper
DI_GP2	J19	NVCC_IPU6	GPIO	Input	Keeper
DI_GP3	H22	NVCC_IPU7	GPIO	Input	100 kΩ pull-up
DI_GP4	J22	NVCC_IPU7	GPIO	Input	100 kΩ pull-up

Table 114. 19 x 19 mm Signal Assignments, Power Rails, and I/O (continued)

Contact Name	Contact Assignment	Power Rail	I/O Buffer Type	Direction after Reset <sup>1</sup>	Configuraton after Reset <sup>1</sup>
DI1_D0_CS	U21	NVCC_IPU2	GPIO	Output	Low
DI1_D1_CS	AB23	NVCC_IPU2	GPIO	Output	Low
DI1_DISP_CLK	J18	NVCC_IPU6	GPIO	Output	Low
DI1_PIN11	Y22	NVCC_IPU2	GPIO	Output	Low
DI1_PIN12	AA22	NVCC_IPU2	GPIO	Output	Low
DI1_PIN13	T20	NVCC_IPU2	GPIO	Output	High
DI1_PIN15	H20	NVCC_IPU6	GPIO	Output	High
DI1_PIN2	G23	NVCC_IPU6	GPIO	Output	High
DI1_PIN3	G22	NVCC_IPU6	GPIO	Output	High
DI2_DISP_CLK	J21	NVCC_IPU7	GPIO	Output	High
DI2_PIN2	J20	NVCC_IPU7	GPIO	Output	High
DI2_PIN3	K18	NVCC_IPU7	GPIO	Output	High
DI2_PIN4	H23	NVCC_IPU7	GPIO	Input	Keeper
DISP1_DAT0	N20	NVCC_HS6	HSGPIO	Input	Keeper
DISP1_DAT1	N21	NVCC_HS6	HSGPIO	Input	Keeper
DISP1_DAT10 <sup>2</sup>	D22	NVCC_IPU4	GPIO	Input	Keeper
DISP1_DAT11 <sup>2</sup>	D23	NVCC_IPU4	GPIO	Input	Keeper
DISP1_DAT12 <sup>2</sup>	E21	NVCC_IPU4	GPIO	Input	Keeper
DISP1_DAT13 <sup>2</sup>	F20	NVCC_IPU4	GPIO	Input	Keeper
DISP1_DAT14 <sup>2</sup>	E22	NVCC_IPU4	GPIO	Input	Keeper
DISP1_DAT15 <sup>2</sup>	G19	NVCC_IPU4	GPIO	Input	Keeper
DISP1_DAT16 <sup>2</sup>	E23	NVCC_IPU5	GPIO	Input	Keeper
DISP1_DAT17 <sup>2</sup>	F21	NVCC_IPU5	GPIO	Input	Keeper
DISP1_DAT18 <sup>2</sup>	G20	NVCC_IPU5	GPIO	Input	Keeper
DISP1_DAT19 <sup>2</sup>	H18	NVCC_IPU5	GPIO	Input	Keeper
DISP1_DAT2	U22	NVCC_HS6	HSGPIO	Input	Keeper
DISP1_DAT20 <sup>2</sup>	F23	NVCC_IPU5	GPIO	Input	Keeper
DISP1_DAT21 <sup>2</sup>	H19	NVCC_IPU5	GPIO	Input	Keeper
DISP1_DAT22 <sup>2</sup>	F22	NVCC_IPU5	GPIO	Input	Keeper
DISP1_DAT23 <sup>2</sup>	G21	NVCC_IPU5	GPIO	Input	Keeper
DISP1_DAT3	U23	NVCC_HS6	HSGPIO	Input	Keeper
DISP1_DAT4	T22	NVCC_HS6	HSGPIO	Input	Keeper

Table 114. 19 x 19 mm Signal Assignments, Power Rails, and I/O (continued)

Contact Name	Contact Assignment	Power Rail	I/O Buffer Type	Direction after Reset <sup>1</sup>	Configuraton after Reset <sup>1</sup>
DISP1_DAT5	T23	NVCC_HS6	HSGPIO	Input	Keeper
DISP1_DAT6 <sup>2</sup>	C22	NVCC_IPU4	GPIO	Input	Keeper
DISP1_DAT7 <sup>2</sup>	C23	NVCC_IPU4	GPIO	Input	Keeper
DISP1_DAT8 <sup>2</sup>	D21	NVCC_IPU4	GPIO	Input	Keeper
DISP1_DAT9 <sup>2</sup>	E20	NVCC_IPU4	GPIO	Input	Keeper
DISP2_DAT0	R21	NVCC_IPU8	GPIO	Input	Keeper
DISP2_DAT1	M19	NVCC_IPU8	GPIO	Input	Keeper
DISP2_DAT10	W22	NVCC_IPU9	GPIO	Input	Keeper
DISP2_DAT11	R19	NVCC_IPU9	GPIO	Input	Keeper
DISP2_DAT12	Y23	NVCC_IPU9	GPIO	Input	Keeper
DISP2_DAT13	T19	NVCC_IPU9	GPIO	Input	Keeper
DISP2_DAT14	AA23	NVCC_IPU9	GPIO	Input	Keeper
DISP2_DAT15	T21	NVCC_IPU9	GPIO	Input	Keeper
DISP2_DAT2	P20	NVCC_HS4_2	HSGPIO	Input	Keeper
DISP2_DAT3	P21	NVCC_HS4_2	HSGPIO	Input	Keeper
DISP2_DAT4	V22	NVCC_HS4_2	HSGPIO	Input	Keeper
DISP2_DAT5	V23	NVCC_HS4_2	HSGPIO	Input	Keeper
DISP2_DAT6	N19	NVCC_IPU8	GPIO	Input	Keeper
DISP2_DAT7	W23	NVCC_IPU8	GPIO	Input	Keeper
DISP2_DAT8	P19	NVCC_IPU9	GPIO	Input	Keeper
DISP2_DAT9	R20	NVCC_IPU9	GPIO	Input	Keeper
DISPB2_SER_CLK	AC22	NVCC_IPU2	GPIO	Output	High
DISPB2_SER_DIN	U19	NVCC_IPU2	GPIO	Input	100 k $\Omega$ pull-up
DISPB2_SER_DIO	V21	NVCC_IPU2	GPIO	Input	100 k $\Omega$ pull-up
DISPB2_SER_RS	W21	NVCC_IPU2	GPIO	Output	High
DN	K22	VDDA33	Analog	Output	–
DP	K23	VDDA33	Analog	Output	–
DRAM_A0	AB1	NVCC_EMI_DRAM	DDR2	Output	High
DRAM_A1	AA2	NVCC_EMI_DRAM	DDR2	Output	High
DRAM_A10	V2	NVCC_EMI_DRAM	DDR2	Output	High
DRAM_A11	U4	NVCC_EMI_DRAM	DDR2	Output	High
DRAM_A12	U2	NVCC_EMI_DRAM	DDR2	Output	High

Table 114. 19 x 19 mm Signal Assignments, Power Rails, and I/O (continued)

Contact Name	Contact Assignment	Power Rail	I/O Buffer Type	Direction after Reset <sup>1</sup>	Configuraton after Reset <sup>1</sup>
DRAM_A13	U1	NVCC_EMI_DRAM	DDR2	Output	High
DRAM_A14	T2	NVCC_EMI_DRAM	DDR2	Output	High
DRAM_A2	AA3	NVCC_EMI_DRAM	DDR2	Output	High
DRAM_A3	V5	NVCC_EMI_DRAM	DDR2	Output	High
DRAM_A4	W4	NVCC_EMI_DRAM	DDR2	Output	High
DRAM_A5	Y2	NVCC_EMI_DRAM	DDR2	Output	High
DRAM_A6	W3	NVCC_EMI_DRAM	DDR2	Output	High
DRAM_A7	Y1	NVCC_EMI_DRAM	DDR2	Output	High
DRAM_A8	W2	NVCC_EMI_DRAM	DDR2	Output	High
DRAM_A9	V3	NVCC_EMI_DRAM	DDR2	Output	High
DRAM_CAS	V4	NVCC_EMI_DRAM	DDR2	Output	High
DRAM_CS0	Y4	NVCC_EMI_DRAM	DDR2	Output	High
DRAM_CS1	Y3	NVCC_EMI_DRAM	DDR2	Output	High
DRAM_D0	T1	NVCC_EMI_DRAM	DDR2	Output	High
DRAM_D1	R3	NVCC_EMI_DRAM	DDR2	Output	High
DRAM_D10	M3	NVCC_EMI_DRAM	DDR2	Output	High
DRAM_D11	M4	NVCC_EMI_DRAM	DDR2	Output	High
DRAM_D12	M1	NVCC_EMI_DRAM	DDR2	Output	High
DRAM_D13	M5	NVCC_EMI_DRAM	DDR2	Output	High
DRAM_D14	L5	NVCC_EMI_DRAM	DDR2	Output	High
DRAM_D15	L4	NVCC_EMI_DRAM	DDR2	Output	High
DRAM_D16	L3	NVCC_EMI_DRAM	DDR2	Output	High
DRAM_D17	L2	NVCC_EMI_DRAM	DDR2	Output	High
DRAM_D18	L1	NVCC_EMI_DRAM	DDR2	Output	High
DRAM_D19	K1	NVCC_EMI_DRAM	DDR2	Output	High
DRAM_D2	R2	NVCC_EMI_DRAM	DDR2	Output	High
DRAM_D20	K3	NVCC_EMI_DRAM	DDR2	Output	High
DRAM_D21	K4	NVCC_EMI_DRAM	DDR2	Output	High
DRAM_D22	J3	NVCC_EMI_DRAM	DDR2	Output	High
DRAM_D23	J4	NVCC_EMI_DRAM	DDR2	Output	High
DRAM_D24	K5	NVCC_EMI_DRAM	DDR2	Output	High
DRAM_D25	H1	NVCC_EMI_DRAM	DDR2	Output	High



Table 114. 19 x 19 mm Signal Assignments, Power Rails, and I/O (continued)

Contact Name	Contact Assignment	Power Rail	I/O Buffer Type	Direction after Reset <sup>1</sup>	Configuraton after Reset <sup>1</sup>
DRAM_D26	H2	NVCC_EMI_DRAM	DDR2	Output	High
DRAM_D27	J5	NVCC_EMI_DRAM	DDR2	Output	High
DRAM_D28	G1	NVCC_EMI_DRAM	DDR2	Output	High
DRAM_D29	G2	NVCC_EMI_DRAM	DDR2	Output	High
DRAM_D3	R1	NVCC_EMI_DRAM	DDR2	Output	High
DRAM_D30	G3	NVCC_EMI_DRAM	DDR2	Output	High
DRAM_D31	G4	NVCC_EMI_DRAM	DDR2	Output	High
DRAM_D4	R4	NVCC_EMI_DRAM	DDR2	Output	High
DRAM_D5	P5	NVCC_EMI_DRAM	DDR2	Output	High
DRAM_D6	P4	NVCC_EMI_DRAM	DDR2	Output	High
DRAM_D7	N5	NVCC_EMI_DRAM	DDR2	Output	High
DRAM_D8	N2	NVCC_EMI_DRAM	DDR2	Output	High
DRAM_D9	N1	NVCC_EMI_DRAM	DDR2	Output	High
DRAM_DQM0	P3	NVCC_EMI_DRAM	DDR2	Output	High
DRAM_DQM1	M2	NVCC_EMI_DRAM	DDR2	Output	High
DRAM_DQM2	K2	NVCC_EMI_DRAM	DDR2	Output	High
DRAM_DQM3	H5	NVCC_EMI_DRAM	DDR2	Output	High
DRAM_RAS	W1	NVCC_EMI_DRAM	DDR2	Output	High
DRAM_SDCKE0	AA1	NVCC_EMI_DRAM	DDR2	Output	High
DRAM_SDCKE1	W5	NVCC_EMI_DRAM	DDR2	Output	High
DRAM_SDCLK	T3	NVCC_EMI_DRAM	DDR2CLK	Output	High
DRAM_SDCLK_B	T4	NVCC_EMI_DRAM	DDR2CLK	Output	High
DRAM_SDQS0	P2	NVCC_EMI_DRAM	DDR2CLK	Output	High
DRAM_SDQS0_B	P1	NVCC_EMI_DRAM	DDR2CLK	Output	High
DRAM_SDQS1	N4	NVCC_EMI_DRAM	DDR2CLK	Output	High
DRAM_SDQS1_B	N3	NVCC_EMI_DRAM	DDR2CLK	Output	High
DRAM_SDQS2	J1	NVCC_EMI_DRAM	DDR2CLK	Output	High
DRAM_SDQS2_B	J2	NVCC_EMI_DRAM	DDR2CLK	Output	High
DRAM_SDQS3	H3	NVCC_EMI_DRAM	DDR2CLK	Output	High
DRAM_SDQS3_B	H4	NVCC_EMI_DRAM	DDR2CLK	Output	High
DRAM_SDWE	U5	NVCC_EMI_DRAM	DDR2	Output	High
EIM_A16 <sup>2</sup>	AA9	NVCC_EMI	GPIO	Input	100 kΩ pull-up

Table 114. 19 x 19 mm Signal Assignments, Power Rails, and I/O (continued)

Contact Name	Contact Assignment	Power Rail	I/O Buffer Type	Direction after Reset <sup>1</sup>	Configuraton after Reset <sup>1</sup>
EIM_A17 <sup>2</sup>	AB9	NVCC_EMI	GPIO	Input	100 kΩ pull-up
EIM_A18 <sup>2</sup>	AC8	NVCC_EMI	GPIO	Input	100 kΩ pull-up
EIM_A19 <sup>2</sup>	AA8	NVCC_EMI	GPIO	Input	100 kΩ pull-up
EIM_A20 <sup>2</sup>	AB8	NVCC_EMI	GPIO	Input	100 kΩ pull-up
EIM_A21 <sup>2</sup>	AC7	NVCC_EMI	GPIO	Input	100 kΩ pull-up
EIM_A22	AB7	NVCC_EMI	GPIO	Output	High
EIM_A23 <sup>2</sup>	AC6	NVCC_EMI	GPIO	Input	100 kΩ pull-up
EIM_A24	AC5	NVCC_EMI	GPIO	Input	100 kΩ pull-up
EIM_A25	AB6	NVCC_EMI	GPIO	Input	100 kΩ pull-up
EIM_A26	AC4	NVCC_EMI	GPIO	Input	100 kΩ pull-up
EIM_A27	AB5	NVCC_EMI	GPIO	Input	Keeper
EIM_BCLK	AA4	NVCC_EMI	GPIO	Input	Keeper
EIM_CRE	AB2	NVCC_EMI	GPIO	Output	High
EIM_CS0	W6	NVCC_EMI	GPIO	Output	High
EIM_CS1	Y6	NVCC_EMI	GPIO	Output	High
EIM_CS2	Y7	NVCC_EMI	GPIO	Input	Keeper
EIM_CS3	AC3	NVCC_EMI	GPIO	Input	Keeper
EIM_CS4	AA6	NVCC_EMI	GPIO	Input	Keeper
EIM_CS5	AA5	NVCC_EMI	GPIO	Input	Keeper
EIM_D16	AC12	NVCC_EMI	GPIO	Input	Keeper
EIM_D17	W10	NVCC_EMI	GPIO	Input	Keeper
EIM_D18	AA11	NVCC_EMI	GPIO	Input	Keeper
EIM_D19	Y10	NVCC_EMI	GPIO	Input	Keeper
EIM_D20	AB11	NVCC_EMI	GPIO	Input	Keeper
EIM_D21	W9	NVCC_EMI	GPIO	Input	Keeper
EIM_D22	AC11	NVCC_EMI	GPIO	Input	Keeper
EIM_D23	V8	NVCC_EMI	GPIO	Input	Keeper
EIM_D24	AA10	NVCC_EMI	GPIO	Input	Keeper
EIM_D25	Y9	NVCC_EMI	GPIO	Input	Keeper
EIM_D26	AB10	NVCC_EMI	GPIO	Input	Keeper
EIM_D27	W8	NVCC_EMI	GPIO	Input	Keeper
EIM_D28	AC10	NVCC_EMI	GPIO	Input	Keeper

Table 114. 19 x 19 mm Signal Assignments, Power Rails, and I/O (continued)

Contact Name	Contact Assignment	Power Rail	I/O Buffer Type	Direction after Reset <sup>1</sup>	Configuraton after Reset <sup>1</sup>
EIM_D29	Y8	NVCC_EMI	GPIO	Input	Keeper
EIM_D30	AC9	NVCC_EMI	GPIO	Input	Keeper
EIM_D31	W7	NVCC_EMI	GPIO	Input	Keeper
EIM_DA0	AC15	NVCC_EMI	GPIO	Input	Keeper
EIM_DA1	V13	NVCC_EMI	GPIO	Input	Keeper
EIM_DA10	AC13	NVCC_EMI	GPIO	Input	Keeper
EIM_DA11	V11	NVCC_EMI	GPIO	Input	Keeper
EIM_DA12	AA12	NVCC_EMI	GPIO	Input	Keeper
EIM_DA13	W11	NVCC_EMI	GPIO	Input	Keeper
EIM_DA14	AB12	NVCC_EMI	GPIO	Input	Keeper
EIM_DA15	Y11	NVCC_EMI	GPIO	Input	Keeper
EIM_DA2	AA14	NVCC_EMI	GPIO	Input	Keeper
EIM_DA3	AB14	NVCC_EMI	GPIO	Input	Keeper
EIM_DA4	AC14	NVCC_EMI	GPIO	Input	Keeper
EIM_DA5	Y13	NVCC_EMI	GPIO	Input	Keeper
EIM_DA6	AA13	NVCC_EMI	GPIO	Input	Keeper
EIM_DA7	W13	NVCC_EMI	GPIO	Input	Keeper
EIM_DA8	AB13	NVCC_EMI	GPIO	Input	Keeper
EIM_DA9	Y12	NVCC_EMI	GPIO	Input	Keeper
EIM_DTACK	Y5	NVCC_EMI	GPIO	Input	100 k $\Omega$ pull-up
EIM_EB0	V12	NVCC_EMI	GPIO	Output	High
EIM_EB1	W12	NVCC_EMI	GPIO	Output	High
EIM_EB2	V10	NVCC_EMI	GPIO	Input	Keeper
EIM_EB3	V9	NVCC_EMI	GPIO	Input	Keeper
EIM_LBA	AC2	NVCC_EMI	GPIO	Output	High
EIM_OE	AA7	NVCC_EMI	GPIO	Output	High
EIM_RW	AB3	NVCC_EMI	GPIO	Output	High
EIM_SDBA0	V1	NVCC_EMI_DRAM	DDR2	Output	High
EIM_SDBA1	U3	NVCC_EMI_DRAM	DDR2	Output	High
EIM_SDBA2	F1	NVCC_EMI_DRAM	DDR2	Output	High
EIM_SDODT0	F3	NVCC_EMI_DRAM	DDR2	Output	High
EIM_SDODT1	F2	NVCC_EMI_DRAM	DDR2	Output	High

Table 114. 19 x 19 mm Signal Assignments, Power Rails, and I/O (continued)

Contact Name	Contact Assignment	Power Rail	I/O Buffer Type	Direction after Reset <sup>1</sup>	Configuraton after Reset <sup>1</sup>
EIM_WAIT	AB4	NVCC_EMI	GPIO	Input	100 kΩ pull-up
EXTAL	AB20	NVCC_OSC	Analog	Input	–
FASTR_ANA	W20	NVCC_PER3	–	Input	–
FASTR_DIG	Y20	NVCC_PER3	–	Input	–
GPANAIO	J23	NVCC_USBPHY	Analog	Output	–
GPIO_NAND	D5	NVCC_NANDF_A	UHvio	Input	100 kΩ pull-up
GPIO1_0	B21	NVCC_PER5	GPIO	Input	Keeper
GPIO1_1	D20	NVCC_PER5	GPIO	Input	Keeper
GPIO1_2	A22	NVCC_PER5	GPIO	Input	Keeper
GPIO1_3	D18	NVCC_PER5	GPIO	Input	Keeper
GPIO1_4	B22	NVCC_PER5	GPIO	Input	Keeper
GPIO1_5	D19	NVCC_PER5	GPIO	Input	Keeper
GPIO1_6	C19	NVCC_PER5	GPIO	Input	Keeper
GPIO1_7	B23	NVCC_PER5	GPIO	Input	Keeper
GPIO1_8	C21	NVCC_PER5	GPIO	Input	Keeper
GPIO1_9	C20	NVCC_PER5	GPIO	Input	Keeper
I2C1_CLK	W15	NVCC_I2C	I2CIO	Input	47 kΩ pull-up
I2C1_DAT	AB16	NVCC_I2C	I2CIO	Input	47 kΩ pull-up
ID	L19	NVCC_USBPHY	Analog	Input	Pull-up
IOB	AC19	AHVDDRGB	Analog	Output	—
IOB_BACK	AB19	—	Analog	Output	—
IOG	AC18	AHVDDRGB	Analog	Output	—
IOG_BACK	AB18	—	Analog	Output	—
IOR	AC17	AHVDDRGB	Analog	Output	—
IOR_BACK	AB17	—	Analog	Output	—
JTAG_DE_B	AB15	NVCC_PER14	GPIO	Input/Open-drain output	47 kΩ pull-up
JTAG_MOD	V14	NVCC_PER14	GPIO	Input	100 kΩ pull-down
JTAG_TCK	V15	NVCC_PER14	GPIO	Input	100 kΩ pull-down
JTAG_TDI	Y14	NVCC_PER14	GPIO	Input	47 kΩ pull-up
JTAG_TDO	AA15	NVCC_PER14	GPIO	3-state output	Keeper
JTAG_TMS	AC16	NVCC_PER14	GPIO	Input	47 kΩ pull-up

Table 114. 19 x 19 mm Signal Assignments, Power Rails, and I/O (continued)

Contact Name	Contact Assignment	Power Rail	I/O Buffer Type	Direction after Reset <sup>1</sup>	Configuraton after Reset <sup>1</sup>
JTAG_TRSTB	W14	NVCC_PER14	GPIO	Input	47 kΩ pull-up
KEY_COL0	E15	NVCC_PER13	GPIO	Input	100 kΩ pull-up
KEY_COL1	A16	NVCC_PER13	GPIO	Input	100 kΩ pull-up
KEY_COL2	D15	NVCC_PER13	GPIO	Input	100 kΩ pull-up
KEY_COL3 <sup>3</sup>	B17	NVCC_PER13	GPIO	Output	High
KEY_COL4 <sup>3</sup>	F16	NVCC_PER13	GPIO	Output	Low
KEY_COL5 <sup>3</sup>	C16	NVCC_PER13	GPIO	Output	Low
KEY_ROW0	D14	NVCC_PER13	GPIO	Input	100 kΩ pull-up
KEY_ROW1	B16	NVCC_PER13	GPIO	Input	100 kΩ pull-up
KEY_ROW2	F15	NVCC_PER13	GPIO	Input	100 kΩ pull-up
KEY_ROW3	C15	NVCC_PER13	GPIO	Input	100 kΩ pull-up
NANDF_ALE	E3	NVCC_NANDF_A	UHVIO	Output	High
NANDF_CLE	F4	NVCC_NANDF_A	UHVIO	Output	High
NANDF_CS0	C3	NVCC_NANDF_A	UHVIO	Output	High
NANDF_CS1	C2	NVCC_NANDF_A	UHVIO	Output	High
NANDF_CS2	E4	NVCC_NANDF_A	UHVIO	Output	High
NANDF_CS3	B1	NVCC_NANDF_A	UHVIO	Output	High
NANDF_CS4	B2	NVCC_NANDF_A	UHVIO	Output	Low
NANDF_CS5	A2	NVCC_NANDF_A	UHVIO	Output	Low
NANDF_CS6	E5	NVCC_NANDF_B	UHVIO	Output	Low
NANDF_CS7	C4	NVCC_NANDF_B	UHVIO	Output	Low
NANDF_D0	A7	NVCC_NANDF_C	UHVIO	Input	Keeper
NANDF_D1	E8	NVCC_NANDF_C	UHVIO	Input	Keeper
NANDF_D10	B5	NVCC_NANDF_B	UHVIO	Input	Keeper
NANDF_D11	D7	NVCC_NANDF_B	UHVIO	Input	Keeper
NANDF_D12	C5	NVCC_NANDF_B	UHVIO	Input	Keeper
NANDF_D13	A3	NVCC_NANDF_B	UHVIO	Input	Keeper
NANDF_D14	B4	NVCC_NANDF_B	UHVIO	Input	Keeper
NANDF_D15	D6	NVCC_NANDF_B	UHVIO	Input	Keeper
NANDF_D2	A6	NVCC_NANDF_C	UHVIO	Input	Keeper
NANDF_D3	D8	NVCC_NANDF_C	UHVIO	Input	Keeper
NANDF_D4	B7	NVCC_NANDF_C	UHVIO	Input	Keeper

Table 114. 19 x 19 mm Signal Assignments, Power Rails, and I/O (continued)

Contact Name	Contact Assignment	Power Rail	I/O Buffer Type	Direction after Reset <sup>1</sup>	Configuraton after Reset <sup>1</sup>
NANDF_D5	A5	NVCC_NANDF_C	UHVIO	Input	Keeper
NANDF_D6	B6	NVCC_NANDF_C	UHVIO	Input	Keeper
NANDF_D7	C6	NVCC_NANDF_B	UHVIO	Input	Keeper
NANDF_D8	A4	NVCC_NANDF_B	UHVIO	Input	Keeper
NANDF_D9	E7	NVCC_NANDF_B	UHVIO	Input	Keeper
NANDF_RB0	D2	NVCC_NANDF_A	UHVIO	Input	100 kΩ pull-up
NANDF_RB1	D4	NVCC_NANDF_A	UHVIO	Input	100 kΩ pull-up
NANDF_RB2	D3	NVCC_NANDF_A	UHVIO	Input	100 kΩ pull-up
NANDF_RB3	C1	NVCC_NANDF_A	UHVIO	Input	100 kΩ pull-up
NANDF_RDY_INT	B3	NVCC_NANDF_B	UHVIO	Input	100 kΩ pull-up
NANDF_RE_B	E2	NVCC_NANDF_A	UHVIO	Output	—
NANDF_WE_B	E1	NVCC_NANDF_A	UHVIO	Output	—
NANDF_WP_B	D1	NVCC_NANDF_A	UHVIO	Output	—
OWIRE_LINE	E14	NVCC_PER12	GPIO	Input	100 kΩ pull-up
PMIC_INT_REQ	AA16	NVCC_SRTC_POW	GPIO	Input	100 kΩ pull-up
PMIC_ON_REQ	W16	NVCC_SRTC_POW	GPIO	Input	100 kΩ pull-up
PMIC_RDY	AA17	NVCC_SRTC_POW	GPIO	Input	100 kΩ pull-up
PMIC_STBY_REQ	Y15	NVCC_SRTC_POW	GPIO	Input	100 kΩ pull-up
POR_B	U20	NVCC_PER3	LVIO	Input	100 kΩ pull-up
RESET_IN_B	Y21	NVCC_PER3	LVIO	Input	100 kΩ pull-up
SD1_CLK	A17	NVCC_PER15	UHVIO	Output	—
SD1_CMD	E16	NVCC_PER15	UHVIO	Input	47 kΩ pull-up
SD1_DATA0	D16	NVCC_PER15	UHVIO	Input	47 kΩ pull-up
SD1_DATA1	A18	NVCC_PER15	UHVIO	Input	47 kΩ pull-up
SD1_DATA2	F17	NVCC_PER15	UHVIO	Input	47 kΩ pull-up
SD1_DATA3	A19	NVCC_PER15	UHVIO	Input	360 kΩ pull-down
SD2_CLK	B18	NVCC_PER17	UHVIO	Output	—
SD2_CMD	G17	NVCC_PER17	UHVIO	Input	47 kΩ pull-up
SD2_DATA0	E17	NVCC_PER17	UHVIO	Input	47 kΩ pull-up
SD2_DATA1	B19	NVCC_PER17	UHVIO	Input	47 kΩ pull-up
SD2_DATA2	D17	NVCC_PER17	UHVIO	Input	47 kΩ pull-up
SD2_DATA3	C17	NVCC_PER17	UHVIO	Input	360 kΩ pull-down

Table 114. 19 x 19 mm Signal Assignments, Power Rails, and I/O (continued)

Contact Name	Contact Assignment	Power Rail	I/O Buffer Type	Direction after Reset <sup>1</sup>	Configuraton after Reset <sup>1</sup>
STR	A15	NVCC_PER12		—	—
TEST_MODE	V20	NVCC_PER3	GPIO	Input	100 kΩ pull-down
UART1_CTS	B14	NVCC_PER12	GPIO	Input	100 kΩ pull-up
UART1_RTS	D13	NVCC_PER12	GPIO	Input	100 kΩ pull-up
UART1_RXD	E13	NVCC_PER12	GPIO	Input	100 kΩ pull-up
UART1_TXD	A13	NVCC_PER12	GPIO	Input	100 kΩ pull-up
UART2_RXD	A14	NVCC_PER12	GPIO	Input	100 kΩ pull-up
UART2_TXD	C14	NVCC_PER12	GPIO	Input	100 kΩ pull-up
UART3_RXD	F14	NVCC_PER12	GPIO	Input	Keeper
UART3_TXD	B15	NVCC_PER12	GPIO	Input	Keeper
USBH1_CLK	D11	NVCC_PER11	GPIO	Input	Keeper
USBH1_DATA0	E12	NVCC_PER11	GPIO	Input	Keeper
USBH1_DATA1	A11	NVCC_PER11	GPIO	Input	Keeper
USBH1_DATA2	B12	NVCC_PER11	GPIO	Input	Keeper
USBH1_DATA3	C12	NVCC_PER11	GPIO	Input	Keeper
USBH1_DATA4	D12	NVCC_PER11	GPIO	Input	Keeper
USBH1_DATA5	A12	NVCC_PER11	GPIO	Input	Keeper
USBH1_DATA6	B13	NVCC_PER11	GPIO	Input	Keeper
USBH1_DATA7	C13	NVCC_PER11	GPIO	Input	Keeper
USBH1_DIR	B11	NVCC_PER11	GPIO	Input	Keeper
USBH1_NXT	C11	NVCC_PER11	GPIO	Input	Keeper
USBH1_STP	E11	NVCC_PER11	GPIO	Input	Keeper
XTAL	AC20	NVCC_OSC	Analog	Output	—

<sup>1</sup> The state immediately after reset and before ROM firmware or software has executed.

<sup>2</sup> During power-on reset this port acts as input for fuse override signal. See [Table 115](#) for details

<sup>3</sup> During power-on reset this port acts as output for diagnostic signal. See [Table 115](#) for details



### 4.2.2.3 Fuse Override Considerations

Table 115 lists the contacts that can be overridden with fuse settings.

**Table 115. Fuse Override Contacts**

Contact name	Direction After Reset	Configuration After Reset	Signal Configuration <sup>1</sup>	External Termination for Fuse Override
DISP1_DAT10	Input	Keeper	BT_SPARE_SIZE	4.7 k $\Omega$ pull-up or pull-down
DISP1_DAT11	Input	Keeper	BT_LPB_FREQ[2]	4.7 k $\Omega$ pull-up or pull-down
DISP1_DAT12	Input	Keeper	BT_MLC_SEL	4.7 k $\Omega$ pull-up or pull-down
DISP1_DAT13	Input	Keeper	BT_MEM_CTL[0]	4.7 k $\Omega$ pull-up or pull-down
DISP1_DAT14	Input	Keeper	BT_MEM_CTL[1]	4.7 k $\Omega$ pull-up or pull-down
DISP1_DAT15	Input	Keeper	BT_BUS_WIDTH	4.7 k $\Omega$ pull-up or pull-down
DISP1_DAT16	Input	Keeper	BT_PAGE_SIZE[0]	4.7 k $\Omega$ pull-up or pull-down
DISP1_DAT17	Input	Keeper	BT_PAGE_SIZE[1]	4.7 k $\Omega$ pull-up or pull-down
DISP1_DAT18	Input	Keeper	BT_WEIM_MUXED[0]	4.7 k $\Omega$ pull-up or pull-down
DISP1_DAT19	Input	Keeper	BT_WEIM_MUXED[1]	4.7 k $\Omega$ pull-up or pull-down
DISP1_DAT20	Input	Keeper	BT_MEM_TYPE[0]	4.7 k $\Omega$ pull-up or pull-down
DISP1_DAT21	Input	Keeper	BT_MEM_TYPE[1]	4.7 k $\Omega$ pull-up or pull-down
DISP1_DAT22	Input	Keeper	BT_LPB_FREQ[0]	4.7 k $\Omega$ pull-up or pull-down
DISP1_DAT23	Input	Keeper	BT_LPB_FREQ[1]	4.7 k $\Omega$ pull-up or pull-down
DISP1_DAT6	Input	Keeper	BT_USB_SRC	4.7 k $\Omega$ pull-up or pull-down
DISP1_DAT7	Input	Keeper	BT_EEPROM_CFG	4.7 k $\Omega$ pull-up or pull-down
DISP1_DAT8	Input	Keeper	BT_SRC[0]	4.7 k $\Omega$ pull-up or pull-down
DISP1_DAT9	Input	Keeper	BT_SRC[1]	4.7 k $\Omega$ pull-up or pull-down
EIM_A16	Input	100 k $\Omega$ pull-up	OSC_FREQ_SEL[0]	4.7 k $\Omega$ pull-down or none for high level <sup>2</sup>
EIM_A17	Input	100 k $\Omega$ pull-up	OSC_FREQ_SEL[1]	4.7 k $\Omega$ pull-down or none for high level <sup>2</sup>
EIM_A18	Input	100 k $\Omega$ pull-up	BT_LPB[0]	4.7 k $\Omega$ pull-down or none for high level <sup>2</sup>
EIM_A19	Input	100 k $\Omega$ pull-up	BT_LPB[1]	4.7 k $\Omega$ pull-down or none for high level <sup>2</sup>
EIM_A20	Input	100 k $\Omega$ pull-up	BT_UART_SRC[0]	4.7 k $\Omega$ pull-down or none for high level <sup>2</sup>
EIM_A21	Input	100 k $\Omega$ pull-up	BT_UART_SRC[1]	4.7 k $\Omega$ pull-down or none for high level <sup>2</sup>
EIM_A23	Input	100 k $\Omega$ pull-up	No longer used; formerly BT_HP_N_EN.	none
KEY_COL3	Output	High	Output for diagnostic signal INT_BOOT during power-on reset	



Table 115. Fuse Override Contacts (continued)

Contact name	Direction After Reset	Configuration After Reset	Signal Configuration <sup>1</sup>	External Termination for Fuse Override
KEY_COL4	Output	Low	Output for diagnostic signal ANY_PU_RST during power-on reset	
KEY_COL5	Output	Low	Output for diagnostic signal JTAG_ACT during power-on reset	

<sup>1</sup> Signal Configuration as Fuse Override Input at Power Up. These are special I/O lines that control the boot up configuration during product development. In production, the boot configuration is controlled by fuses.

<sup>2</sup> Consider using an external 68 kΩ pull-up if system constraints indicate that the on-chip 100 kΩ pull-up is too weak.

### 4.2.3 19 x 19 Ball Map

See [Section 4.4, “19 x 19 mm, 0.8 Pitch Ball Map.”](#)

### 4.3 13 × 13 mm, 0.5 Pitch Ball Map

Table 116 shows the 13 x 13 mm, 0.5 pitch ball map.

Table 116. 13 × 13 mm, 0.5 mm Pitch Ball Map

	A	B	C	D	E	F	
25	GND	GND	GPIO1_9	DISP1_DAT6	DISP1_DAT11	DISP1_DAT21	25
24	GND	GPIO1_6	GPIO1_8	DISP1_DAT7	DISP1_DAT10	DISP1_DAT17	24
23	GPIO1_7	GPIO1_2	DISP1_DAT8	DISP1_DAT9	DISP1_DAT13	DISP1_DAT16	23
22	GPIO1_3	GPIO1_4	GPIO1_5	DISP1_DAT14	DISP1_DAT12	DISP1_DAT15	22
21	SD2_DATA2	SD2_DATA1	GPIO1_1	CSI2_PIXCLK	—	—	21
20	CSI1_D8	CSI1_D9	CSI2_VSYNC	NVCC_PER5	—	DI_GP1	20
19	SD2_CLK	CSI1_VSYNC	CSI1_HSYNC	CSI1_PIXCLK	GND	CSI1_MCLK	19
18	SD1_CLK	SD1_DATA0	SD1_DATA3	SD1_DATA2	—	SD2_DATA0	18
17	KEY_COL5	KEY_COL4	SD1_CMD	SD1_DATA1	—	SD2_DATA3	17
16	KEY_COL3	KEY_COL0	KEY_COL1	KEY_COL2	GND	SD2_CMD	16
15	OWIRE_LINE	KEY_ROW0	KEY_ROW1	KEY_ROW3	—	KEY_ROW2	15
14	UART3_TXD	UART3_RXD	UART2_TXD	STR	—	USBH1_DATA5	14
13	UART2_RXD	UART1_CTS	UART1_RTS	UART1_RXD	GND	CSP11_SS1	13
12	UART1_TXD	USBH1_DATA7	USBH1_DATA6	USBH1_NXT	—	CSP11_MISO	12
11	USBH1_STP	USBH1_DATA0	USBH1_CLK	CSP11_SCLK	—	CSI2_D12	11
10	USBH1_DATA1	USBH1_DIR	USBH1_DATA3	CSP11_SS0	VDDGP	NANDF_D13	10
9	USBH1_DATA2	USBH1_DATA4	AUD3_BB_CK	CSP11_MOSI	—	NANDF_D1	9
8	CSP11_RDY	AUD3_BB_RXD	AUD3_BB_FS	CSI2_D13	—	NANDF_D5	8
7	CSI2_D18	AUD3_BB_TXD	CSI2_D19	NANDF_D0	GND	NANDF_CS7	7
6	NANDF_D6	NANDF_D4	NANDF_D2	NANDF_RDY_INT	—	NANDF_RE_B	6
5	NANDF_D7	NANDF_D3	NANDF_D10	NANDF_CS2	—	—	5
4	NANDF_D8	NANDF_D11	NANDF_CS5	NANDF_CS0	NANDF_D14	DRAM_D19	4
3	NANDF_D12	NANDF_CS4	GPIO_NAND	NANDF_RB2	NANDF_WP_B	DRAM_D17	3
2	NANDF_CS6	NANDF_CS3	NANDF_RB3	NANDF_RB0	NANDF_CLE	DRAM_D16	2
1	GND	GND	NANDF_RB1	NANDF_CS1	NANDF_ALE	DRAM_D31	1
	A	B	C	D	E	F	

Table 116. 13 × 13 mm, 0.5 mm Pitch Ball Map (continued)

	⓪	Ⅰ	↷	⋈	┘	≡	
25	DISP1_DAT20	DISP1_DAT23	DI2_PIN3	DN	ID	CSI2_D14	25
24	DISP1_DAT22	DI2_PIN2	DI2_DISP_CLK	DP	VREG	CSI2_D15	24
23	DISP1_DAT18	DI_GP3	DI2_PIN4	DI_GP4	NGND_USBPHY	CSI2_D16	23
22	DISP1_DAT19	NVCC_IPU7	DI1_DISP_CLK	GPANAIO	VBUS	CSI2_D17	22
21	—	—	—	—	GND	—	21
20	DI1_PIN15	DI1_PIN3	CSI2_HSYNC	DI_GP2	NVCC_HS4_1	NVCC_HS10	20
19	—	—	—	—	—	—	19
18	—	GPIO1_0	DI1_PIN2	RREFEXT	DISP2_DAT8	DISP2_DAT12	18
17	—	—	—	—	—	—	17
16	—	NVCC_PER15	NVCC_PER17	NVCC_IPU5	NVCC_IPU9	NVCC_IPU6	16
15	—	NVCC_PER12	NVCC_PER8	GND	GND	GND	15
14	—	NVCC_PER13	GND	GND	GND	GND	14
13	—	VDDA	GND	GND	GND	GND	13
12	—	NVCC_PER10	VDDGP	VDDGP	VDDGP	GND	12
11	—	NVCC_PER11	VDDGP	VDDGP	VDDGP	SVDDGP	11
10	—	NVCC_PER9	VDDGP	VDDGP	VDDGP	VDDGP	10
9	—	NVCC_NANDF_C	VDDGP	VDDGP	VDDGP	VDDGP	9
8	—	NVCC_NANDF_B	NVCC_NANDF_A	VDDGP	VDDGP	VDDGP	8
7	—	—	—	—	—	—	7
6	NANDF_WE_B	NANDF_D9	NANDF_D15	EIM_SDBA2	VDDGP	VDDGP	6
5	GND	—	—	GND	NVCC_EMI_DRAM	NVCC_EMI_DRAM	5
4	DRAM_D21	DRAM_D23	DRAM_D24	DRAM_SDQS2_B	EIM_SDBA1	DRAM_DQM2	4
3	DRAM_D18	DRAM_D20	DRAM_D22	DRAM_SDQS2	EIM_SDODT1	DRAM_SDWE	3
2	DRAM_D30	DRAM_D28	DRAM_D26	DRAM_SDQS3	EIM_SDODT0	DRAM_SDCLK_B	2
1	DRAM_D29	DRAM_D27	DRAM_D25	DRAM_SDQS3_B	DRAM_SDCKE1	DRAM_SDCLK	1
	⓪	Ⅰ	↷	⋈	┘	≡	

Package Information and Contact Assignments

Table 116. 13 × 13 mm, 0.5 mm Pitch Ball Map (continued)

	Z	Q	R	T	D	>	
25	CSI1_D17	CSI1_D15	CSI1_D11	DISP1_DAT3	DISP2_DAT5	DISP2_DAT7	25
24	CSI1_D16	CSI1_D14	CSI1_D10	DISP1_DAT2	DISP2_DAT4	DISP2_DAT11	24
23	CSI1_D18	CSI1_D13	DISP1_DAT4	DISP1_DAT0	DISP2_DAT3	DISP2_DAT15	23
22	CSI1_D19	CSI1_D12	DISP1_DAT5	DISP1_DAT1	DISP2_DAT2	NVCC_IPU8	22
21	—	GND	—	—	GND	—	21
20	NVCC_HS6	NVCC_HS4_2	DISP2_DAT6	DISP2_DAT0	DISP2_DAT14	NVCC_IPU2	20
19	—	—	—	—	—	—	19
18	VDDA	DISP2_DAT1	DISP2_DAT10	DI1_D1_CS	DISP2_DAT13	DI1_PIN11	18
17	—	—	—	—	—	DISP2_DAT9	17
16	NVCC_IPU4	NVCC_USBPHY	VDDA33	VCC	VCC	AHVDDRGB	16
15	VCC	VCC	VCC	VCC	VCC	AHVDDRGB	15
14	VCC	VCC	VCC	VCC	VCC	AHVSSRGB	14
13	SVCC	VCC	VCC	GND	GND	AHVSSRGB	13
12	VCC	VCC	GND	GND	GND	NVCC_SRTC_POW	12
11	GND	GND	GND	GND	GND	NVCC_I2C	11
10	GND	SGND	GND	GND	GND	NVCC_PER3	10
9	GND	GND	GND	GND	GND	NVCC_PER14	9
8	GND	GND	GND	GND	NVCC_EMI	NVCC_EMI	8
7	—	—	—	—	—	—	7
6	GND	VDD_FUSE	VDDA	VDDA	VREF	EIM_CRE	6
5	GND	—	NVCC_EMI_DRAM	NVCC_EMI_DRAM	GND	—	5
4	DRAM_CAS	EIM_SDBA0	DRAM_A13	DRAM_A10	DRAM_A2	DRAM_A0	4
3	DRAM_RAS	DRAM_CS0	DRAM_CS1	DRAM_A8	DRAM_A3	DRAM_A1	3
2	DRAM_DQM3	DRAM_A12	DRAM_A14	DRAM_A7	DRAM_A5	DRAM_DQM1	2
1	DRAM_SDCKE0	DRAM_A9	DRAM_A11	DRAM_A6	DRAM_A4	DRAM_DQM0	1
	Z	Q	R	T	D	>	

Table 116. 13 × 13 mm, 0.5 mm Pitch Ball Map (continued)

	W	Y	AA	AB	AC	
25	DI1_PIN12	DISPB2_SER_CLK	RESET_IN_B	TEST_MODE	GND_ANA_PLL_B	25
24	DI1_PIN13	POR_B	BOOT_MODE1	CKIH1	VDD_ANA_PLL_B	24
23	DISPB2_SER_RS	DISPB2_SER_DIN	CKIH2	VDD_DIG_PLL_B	NGND_OSC	23
22	BOOT_MODE0	CLK_SS	CKIL	NGND_TV_BACK	NVCC_TV_BACK	22
21	—	—	—	TVDAC_DHVDD	FASTR_DIG	21
20	DI1_D0_CS	DISPB2_SER_DIO	—	VREFOUT	COMP	20
19	—	I2C1_DAT	GND	I2C1_CLK	PMIC_RDY	19
18	—	EIM_DA5	—	PMIC_STBY_REQ	PMIC_INT_REQ	18
17	—	EIM_CS0	—	JTAG_TDI	JTAG_TMS	17
16	—	VDDA	GND	EIM_DA3	JTAG_DE_B	16
15	—	EIM_RW	—	EIM_DA6	EIM_DA2	15
14	—	EIM_OE	—	EIM_DA8	EIM_DA7	14
13	—	EIM_A18	GND	EIM_EB2	EIM_DA10	13
12	—	EIM_A16	—	EIM_D16	EIM_DA14	12
11	—	EIM_D28	—	EIM_D23	EIM_EB3	11
10	—	EIM_BCLK	GND	EIM_D27	EIM_D19	10
9	—	EIM_A24	—	EIM_A22	EIM_D25	9
8	—	EIM_CS3	—	EIM_D31	EIM_D30	8
7	—	EIM_CS5	GND	EIM_A26	EIM_CS4	7
6	EIM_CS1	EIM_A20	—	EIM_WAIT	EIM_A27	6
5	GND	NVCC_EMI_DRAM	NVCC_EMI_DRAM	EIM_LBA	EIM_DTACK	5
4	DRAM_SDQS0_B	DRAM_D7	DRAM_D5	DRAM_D3	DRAM_D0	4
3	DRAM_SDQS0	DRAM_D6	DRAM_D4	DRAM_D2	DRAM_D1	3
2	DRAM_SDQS1	DRAM_D9	DRAM_D10	DRAM_D12	DRAM_D14	2
1	DRAM_SDQS1_B	DRAM_D8	DRAM_D11	DRAM_D13	DRAM_D15	1
	W	Y	AA	AB	AC	

## Package Information and Contact Assignments

Table 116. 13 × 13 mm, 0.5 mm Pitch Ball Map (continued)

	AD	AE	
25	GND	GND	25
24	GND_DIG_PLL_B	GND	24
23	EXTAL	XTAL	23
22	NVCC_OSC	FASTR_ANA	22
21	IOB_BACK	IOB	21
20	IOG_BACK	IOG	20
19	IOR_BACK	IOR	19
18	JTAG_TCK	PMIC_ON_REQ	18
17	JTAG_TDO	JTAG_TRSTB	17
16	JTAG_MOD	EIM_DA4	16
15	EIM_DA1	EIM_DA0	15
14	EIM_EB0	EIM_EB1	14
13	EIM_DA9	EIM_DA12	13
12	EIM_DA13	EIM_DA11	12
11	EIM_DA15	EIM_D22	11
10	EIM_D20	EIM_D21	10
9	EIM_D18	EIM_D24	9
8	EIM_D26	EIM_D17	8
7	EIM_D29	EIM_A19	7
6	EIM_A21	EIM_A17	6
5	EIM_A25	EIM_A23	5
4	VDD_ANA_PLL_A	EIM_CS2	4
3	VDD_DIG_PLL_A	GND_ANA_PLL_A	3
2	GND	GND_DIG_PLL_A	2
1	GND	GND	1
	AD	AE	

### 4.4 19 x 19 mm, 0.8 Pitch Ball Map

Table 117 shows the 19 × 19 mm, 0.8 pitch ball map.

Table 117. 19 × 19 mm, 0.8 Pitch Ball Map

	◀	Ⓜ	○	▷	Ⓜ	Ⓜ	
23	GND	GPIO1_7	DISP1_DAT7	DISP1_DAT11	DISP1_DAT16	DISP1_DAT20	23
22	GPIO1_2	GPIO1_4	DISP1_DAT6	DISP1_DAT10	DISP1_DAT14	DISP1_DAT22	22
21	CSI1_D9	GPIO1_0	GPIO1_8	DISP1_DAT8	DISP1_DAT12	DISP1_DAT17	21
20	CSI1_HSYNC	CSI1_MCLK	GPIO1_9	GPIO1_1	DISP1_DAT9	DISP1_DAT13	20
19	SD1_DATA3	SD2_DATA1	GPIO1_6	GPIO1_5	CSI2_PIXCLK	CSI2_VSYNC	19
18	SD1_DATA1	SD2_CLK	CSI2_HSYNC	GPIO1_3	CSI1_D8	CSI1_PIXCLK	18
17	SD1_CLK	KEY_COL3	SD2_DATA3	SD2_DATA2	SD2_DATA0	SD1_DATA2	17
16	KEY_COL1	KEY_ROW1	KEY_COL5	SD1_DATA0	SD1_CMD	KEY_COL4	16
15	STR	UART3_TXD	KEY_ROW3	KEY_COL2	KEY_COL0	KEY_ROW2	15
14	UART2_RXD	UART1_CTS	UART2_TXD	KEY_ROW0	OWIRE_LINE	UART3_RXD	14
13	UART1_TXD	USBH1_DATA6	USBH1_DATA7	UART1_RTS	UART1_RXD	SVDDGP	13
12	USBH1_DATA5	USBH1_DATA2	USBH1_DATA3	USBH1_DATA4	USBH1_DATA0	VDDGP	12
11	USBH1_DATA1	USBH1_DIR	USBH1_NXT	USBH1_CLK	USBH1_STP	VDDGP	11
10	CSPI1_SCLK	CSPI1_SS1	CSPI1_MISO	CSPI1_MOSI	CSPI1_SS0	VDDGP	10
9	AUD3_BB_FS	AUD3_BB_RXD	CSPI1_RDY	CSI2_D18	AUD3_BB_TXD	VDDGP	9
8	CSI2_D19	CSI2_D12	AUD3_BB_CK	NANDF_D3	NANDF_D1	VDDGP	8
7	NANDF_D0	NANDF_D4	CSI2_D13	NANDF_D11	NANDF_D9	VDDGP	7
6	NANDF_D2	NANDF_D6	NANDF_D7	NANDF_D15	NVCC_NANDF_A	VDDGP	6
5	NANDF_D5	NANDF_D10	NANDF_D12	GPIO_NAND	NANDF_CS6	NVCC_NANDF_A	5
4	NANDF_D8	NANDF_D14	NANDF_CS7	NANDF_RB1	NANDF_CS2	NANDF_CLE	4
3	NANDF_D13	NANDF_RDY_INT	NANDF_CS0	NANDF_RB2	NANDF_ALE	EIM_SDODT0	3
2	NANDF_CS5	NANDF_CS4	NANDF_CS1	NANDF_RB0	NANDF_RE_B	EIM_SDODT1	2
1	GND	NANDF_CS3	NANDF_RB3	NANDF_WP_B	NANDF_WE_B	EIM_SDBA2	1
	◀	Ⓜ	○	▷	Ⓜ	Ⓜ	

Package Information and Contact Assignments

Table 117. 19 × 19 mm, 0.8 Pitch Ball Map (continued)

	⊕	⊖	↶	↷	⊥	
23	DI1_PIN2	DI2_PIN4	GPANAIO	DP	CSI2_D17	23
22	DI1_PIN3	DI_GP3	DI_GP4	DN	CSI2_D16	22
21	DISP1_DAT23	DI_GP1	DI2_DISP_CLK	VREG	CSI2_D15	21
20	DISP1_DAT18	DI1_PIN15	DI2_PIN2	VBUS	CSI2_D14	20
19	DISP1_DAT15	DISP1_DAT21	DI_GP2	RREFEXT	ID	19
18	CSI1_VSYNC	DISP1_DAT19	DI1_DISP_CLK	DI2_PIN3	VDDA33	18
17	SD2_CMD	NVCC_IPU5	NVCC_IPU6	NVCC_IPU7	NVCC_USBPHY	17
16	NVCC_IPU4	NVCC_PER8	VCC	VCC	NGND_USBPHY	16
15	NVCC_PER5	NVCC_PER15	VCC	VCC	VCC	15
14	NVCC_PER17	SVCC	GND	GND	GND	14
13	NVCC_PER13	VCC	GND	GND	GND	13
12	NVCC_PER12	VDDA	GND	GND	GND	12
11	NVCC_PER11	NVCC_PER10	SGND	GND	GND	11
10	NVCC_NANDF_C	NVCC_PER9	GND	GND	GND	10
9	NVCC_NANDF_B	GND	GND	GND	GND	9
8	VDDA	VDDA	GND	GND	GND	8
7	VDDGP	VDDGP	VDDGP	VDDGP	VCC	7
6	VDDGP	NVCC_EMI_DRAM	NVCC_EMI_DRAM	NVCC_EMI_DRAM	NVCC_EMI_DRAM	6
5	GND	DRAM_DQM3	DRAM_D27	DRAM_D24	DRAM_D14	5
4	DRAM_D31	DRAM_SDQS3_B	DRAM_D23	DRAM_D21	DRAM_D15	4
3	DRAM_D30	DRAM_SDQS3	DRAM_D22	DRAM_D20	DRAM_D16	3
2	DRAM_D29	DRAM_D26	DRAM_SDQS2_B	DRAM_DQM2	DRAM_D17	2
1	DRAM_D28	DRAM_D25	DRAM_SDQS2	DRAM_D19	DRAM_D18	1
	⊕	⊖	↶	↷	⊥	



Table 117. 19 × 19 mm, 0.8 Pitch Ball Map (continued)

	Σ	Z	⊥	⊕	⊖	⊔	
23	CSI1_D19	CSI1_D17	CSI1_D13	CSI1_D11	DISP1_DAT5	DISP1_DAT3	23
22	CSI1_D18	CSI1_D16	CSI1_D12	CSI1_D10	DISP1_DAT4	DISP1_DAT2	22
21	CSI1_D15	DISP1_DAT1	DISP2_DAT3	DISP2_DAT0	DISP2_DAT15	DI1_D0_CS	21
20	CSI1_D14	DISP1_DAT0	DISP2_DAT2	DISP2_DAT9	DI1_PIN13	POR_B	20
19	DISP2_DAT1	DISP2_DAT6	DISP2_DAT8	DISP2_DAT11	DISP2_DAT13	DISPB2_SER_DIN	19
18	NVCC_HS4_1	NVCC_HS4_2	NVCC_IPU8	NVCC_IPU9	NVCC_IPU2	NVCC_PER3	18
17	NVCC_HS6	VCC	VCC	VCC	VCC	GND_ANA_PLL_B	17
16	NVCC_HS10	GND	VDDA	GND	GND	NVCC_TV_BACK	16
15	GND	GND	GND	GND	NGND_TV_BACK	VREFOUT	15
14	GND	GND	GND	GND	NVCC_I2C	NVCC_SRTC_POW	14
13	GND	GND	GND	GND	VDDA	NVCC_PER14	13
12	GND	GND	GND	GND	VCC	NVCC_EMI	12
11	GND	GND	GND	GND	VCC	NVCC_EMI	11
10	GND	GND	GND	GND	VCC	NVCC_EMI	10
9	GND	GND	GND	GND	VCC	NVCC_EMI	9
8	VDDA	GND	GND	GND	VCC	NVCC_EMI	8
7	VCC	VCC	VCC	VDD_FUSE	GND_DIG_PLL_A	GND_ANA_PLL_A	7
6	NVCC_EMI_DRAM	NVCC_EMI_DRAM	NVCC_EMI_DRAM	NVCC_EMI_DRAM	NVCC_EMI_DRAM	VDD_DIG_PLL_A	6
5	DRAM_D13	DRAM_D7	DRAM_D5	VREF	GND	DRAM_SDWE	5
4	DRAM_D11	DRAM_SDQS1	DRAM_D6	DRAM_D4	DRAM_SDCLK_B	DRAM_A11	4
3	DRAM_D10	DRAM_SDQS1_B	DRAM_DQM0	DRAM_D1	DRAM_SDCLK	EIM_SDBA1	3
2	DRAM_DQM1	DRAM_D8	DRAM_SDQS0	DRAM_D2	DRAM_A14	DRAM_A12	2
1	DRAM_D12	DRAM_D9	DRAM_SDQS0_B	DRAM_D3	DRAM_D0	DRAM_A13	1
	Σ	Z	⊥	⊕	⊖	⊔	

i.MX51 Applications Processors for Consumer and Industrial Products, Rev. 1

Because of an order from the United States International Trade Commission, BGA-packaged product lines and part numbers indicated here currently are not available from Freescale for import or sale in the United States prior to September 2010: MCIMX512DVK8C, MCIMX513DVK8C, MCIMX515DVK8C, and MCIMX511DVK8C.

Package Information and Contact Assignments

Table 117. 19 × 19 mm, 0.8 Pitch Ball Map (continued)

	>	≡	>	<<	< B	< U	
23	DISP2_DAT5	DISP2_DAT7	DISP2_DAT12	DISP2_DAT14	DI1_D1_CS	GND	23
22	DISP2_DAT4	DISP2_DAT10	DI1_PIN11	DI1_PIN12	BOOT_MODE1	DISPB2_SER_CLK	22
21	DISPB2_SER_DIO	DISPB2_SER_RS	RESET_IN_B	CLK_SS	BOOT_MODE0	GND	21
20	TEST_MODE	FASTR_ANA	FASTR_DIG	CKIH2	EXTAL	XTAL	20
19	CKIH1	VDD_ANA_PLL_B	AHVSSRGB	AHVSSRGB	IOB_BACK	IOB	19
18	GND_DIG_PLL_B	VDD_DIG_PLL_B	AHVDDRGB	AHVDDRGB	IOG_BACK	IOG	18
17	NGND_OSC	NVCC_OSC	COMP	PMIC_RDY	IOR_BACK	IOR	17
16	TVDAC_DHVDD	PMIC_ON_REQ	CKIL	PMIC_INT_REQ	I2C1_DAT	JTAG_TMS	16
15	JTAG_TCK	I2C1_CLK	PMIC_STBY_REQ	JTAG_TDO	JTAG_DE_B	EIM_DA0	15
14	JTAG_MOD	JTAG_TRSTB	JTAG_TDI	EIM_DA2	EIM_DA3	EIM_DA4	14
13	EIM_DA1	EIM_DA7	EIM_DA5	EIM_DA6	EIM_DA8	EIM_DA10	13
12	EIM_EB0	EIM_EB1	EIM_DA9	EIM_DA12	EIM_DA14	EIM_D16	12
11	EIM_DA11	EIM_DA13	EIM_DA15	EIM_D18	EIM_D20	EIM_D22	11
10	EIM_EB2	EIM_D17	EIM_D19	EIM_D24	EIM_D26	EIM_D28	10
9	EIM_EB3	EIM_D21	EIM_D25	EIM_A16	EIM_A17	EIM_D30	9
8	EIM_D23	EIM_D27	EIM_D29	EIM_A19	EIM_A20	EIM_A18	8
7	NVCC_EMI	EIM_D31	EIM_CS2	EIM_OE	EIM_A22	EIM_A21	7
6	VDD_ANA_PLL_A	EIM_CS0	EIM_CS1	EIM_CS4	EIM_A25	EIM_A23	6
5	DRAM_A3	DRAM_SDCKE1	EIM_DTACK	EIM_CS5	EIM_A27	EIM_A24	5
4	DRAM_CAS	DRAM_A4	DRAM_CS0	EIM_BCLK	EIM_WAIT	EIM_A26	4
3	DRAM_A9	DRAM_A6	DRAM_CS1	DRAM_A2	EIM_RW	EIM_CS3	3
2	DRAM_A10	DRAM_A8	DRAM_A5	DRAM_A1	EIM_CRE	EIM_LBA	2
1	EIM_SDBA0	DRAM_RAS	DRAM_A7	DRAM_SDCKE0	DRAM_A0	GND	1
	>	≡	>	<<	< B	< U	

i.MX51 Applications Processors for Consumer and Industrial Products, Rev. 1

## 5 Revision History

Table 118 provides a revision history for this data sheet.

**Table 118. i.MX51 Data Sheet Document Revision History**

Rev. Number	Date	Substantive Change(s)
1	11/4/2009	Initial public release.

## How to Reach Us:

### Home Page:

[www.freescale.com](http://www.freescale.com)

### Web Support:

<http://www.freescale.com/support>

### USA/Europe or Locations Not Listed:

Freescale Semiconductor, Inc.  
Technical Information Center, EL516  
2100 East Elliot Road  
Tempe, Arizona 85284  
1-800-521-6274 or  
+1-480-768-2130  
[www.freescale.com/support](http://www.freescale.com/support)

### Europe, Middle East, and Africa:

Freescale Halbleiter Deutschland GmbH  
Technical Information Center  
Schatzbogen 7  
81829 Muenchen, Germany  
+44 1296 380 456 (English)  
+46 8 52200080 (English)  
+49 89 92103 559 (German)  
+33 1 69 35 48 48 (French)  
[www.freescale.com/support](http://www.freescale.com/support)

### Japan:

Freescale Semiconductor Japan Ltd.  
Headquarters  
ARCO Tower 15F  
1-8-1, Shimo-Meguro, Meguro-ku  
Tokyo 153-0064  
Japan  
0120 191014 or  
+81 3 5437 9125  
[support.japan@freescale.com](mailto:support.japan@freescale.com)

### Asia/Pacific:

Freescale Semiconductor China Ltd.  
Exchange Building 23F  
No. 118 Jianguo Road  
Chaoyang District  
Beijing 100022  
China  
+86 10 5879 8000  
[support.asia@freescale.com](mailto:support.asia@freescale.com)

### For Literature Requests Only:

Freescale Semiconductor  
Literature Distribution Center  
1-800 441-2447 or  
+1-303-675-2140  
Fax: +1-303-675-2150  
LDCForFreescaleSemiconductor  
[@hibbertgroup.com](mailto:@hibbertgroup.com)

Document Number: IMX51CEC  
Rev. 1  
11/2009

Information in this document is provided solely to enable system and software implementers to use Freescale Semiconductor products. There are no express or implied copyright licenses granted hereunder to design or fabricate any integrated circuits or integrated circuits based on the information in this document.

Freescale Semiconductor reserves the right to make changes without further notice to any products herein. Freescale Semiconductor makes no warranty, representation or guarantee regarding the suitability of its products for any particular purpose, nor does Freescale Semiconductor assume any liability arising out of the application or use of any product or circuit, and specifically disclaims any and all liability, including without limitation consequential or incidental damages. "Typical" parameters that may be provided in Freescale Semiconductor data sheets and/or specifications can and do vary in different applications and actual performance may vary over time. All operating parameters, including "Typicals", must be validated for each customer application by customer's technical experts. Freescale Semiconductor does not convey any license under its patent rights nor the rights of others. Freescale Semiconductor products are not designed, intended, or authorized for use as components in systems intended for surgical implant into the body, or other applications intended to support or sustain life, or for any other application in which the failure of the Freescale Semiconductor product could create a situation where personal injury or death may occur. Should Buyer purchase or use Freescale Semiconductor products for any such unintended or unauthorized application, Buyer shall indemnify and hold Freescale Semiconductor and its officers, employees, subsidiaries, affiliates, and distributors harmless against all claims, costs, damages, and expenses, and reasonable attorney fees arising out of, directly or indirectly, any claim of personal injury or death associated with such unintended or unauthorized use, even if such claim alleges that Freescale Semiconductor was negligent regarding the design or manufacture of the part.

RoHS-compliant and/or Pb-free versions of Freescale products have the functionality and electrical characteristics as their non-RoHS-compliant and/or non-Pb-free counterparts. For further information, see <http://www.freescale.com> or contact your Freescale sales representative.

For information on Freescale's Environmental Products program, go to <http://www.freescale.com/epp>.

Freescale™ and the Freescale logo are trademarks of Freescale Semiconductor, Inc. All other product or service names are the property of their respective owners. ARM is the registered trademark of ARM Limited. ARM7TDMI-S and are trademarks of ARM Limited. IEEE Std. 802.3 is a registered trademark of the Institute of Electrical and Electronics Engineers, Inc. (IEEE). This product is not endorsed or approved by the IEEE.

© Freescale Semiconductor, Inc., 2009. All rights reserved.

