

HEF4014B

8-bit static shift register

Rev. 06 — 2 November 2009

Product data sheet

1. General description

The HEF4014B is a fully synchronous edge-triggered 8-bit static shift register with eight synchronous parallel inputs (D0 to D7), a synchronous serial data input (DS), a synchronous parallel enable input (PE), a LOW-to-HIGH edge-triggered clock input (CP) and buffered parallel outputs from the last three stages (Q5 to Q7).

Operation is synchronous and the device is edge-triggered on the LOW-to-HIGH transition of CP. Each register stage is of a D-type master-slave flip-flop type. When PE is HIGH, data is loaded into the register from D0 to D7 on the LOW-to-HIGH transition of CP. When PE is LOW, data is shifted to the first position from DS, and all the data in the register is shifted one position to the right on the LOW-to-HIGH transition of CP. The clock input's Schmitt trigger action makes it highly tolerant of slower clock rise and fall times.

It operates over a recommended V_{DD} power supply range of 3 V to 15 V referenced to V_{SS} (usually ground). Unused inputs must be connected to V_{DD} , V_{SS} , or another input. It is also suitable for use over the full industrial ($-40\text{ }^{\circ}\text{C}$ to $+85\text{ }^{\circ}\text{C}$) temperature range.

2. Features

- Tolerant of slow clock rise and fall times
- Fully static operation
- 5 V, 10 V, and 15 V parametric ratings
- Standardized symmetrical output characteristics
- Operates across the full industrial temperature range $-40\text{ }^{\circ}\text{C}$ to $+85\text{ }^{\circ}\text{C}$
- Complies with JEDEC standard JESD 13-B

3. Applications

- Parallel-to-serial converter
- Serial data queueing
- General purpose register

4. Ordering information

Table 1. Ordering information
All types operate from -40 °C to +85 °C

Type number	Package		Version
	Name	Description	
HEF4014BP	DIP16	plastic dual in-line package; 16-leads (300 mil)	SOT38-4
HEF4014BT	SO16	plastic small outline package; 16 leads; body width 3.9 mm	SOT109-1

5. Functional diagram

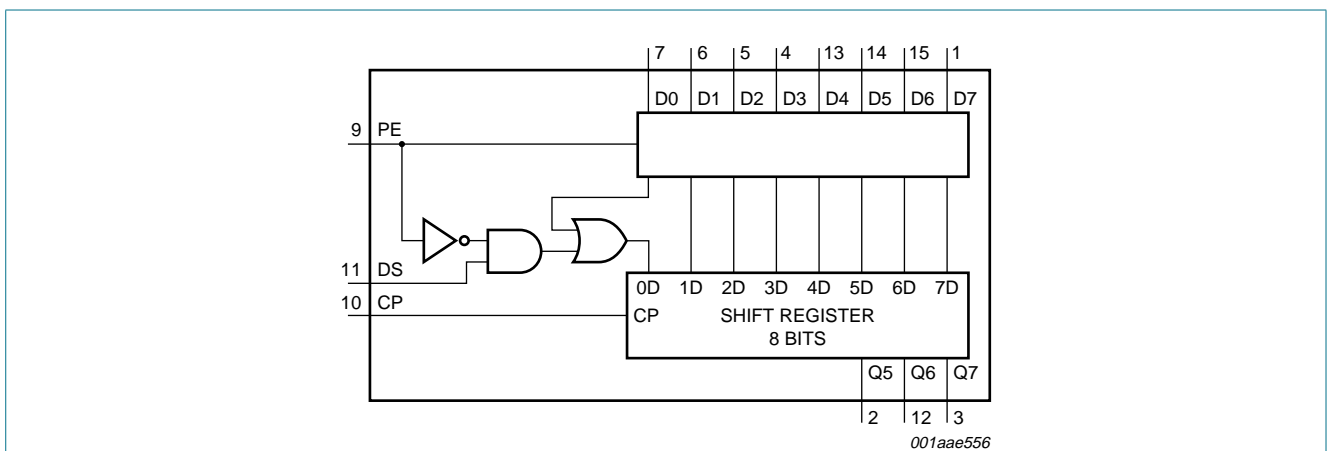


Fig 1. Functional diagram

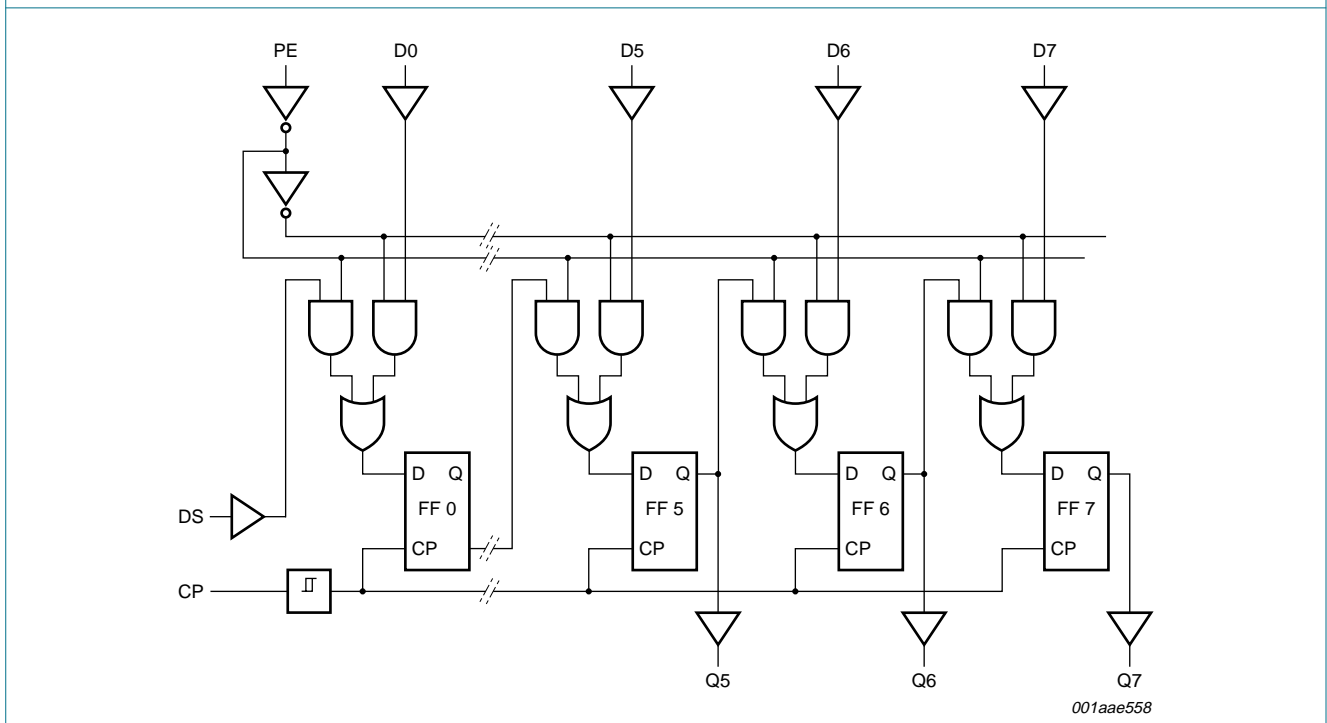
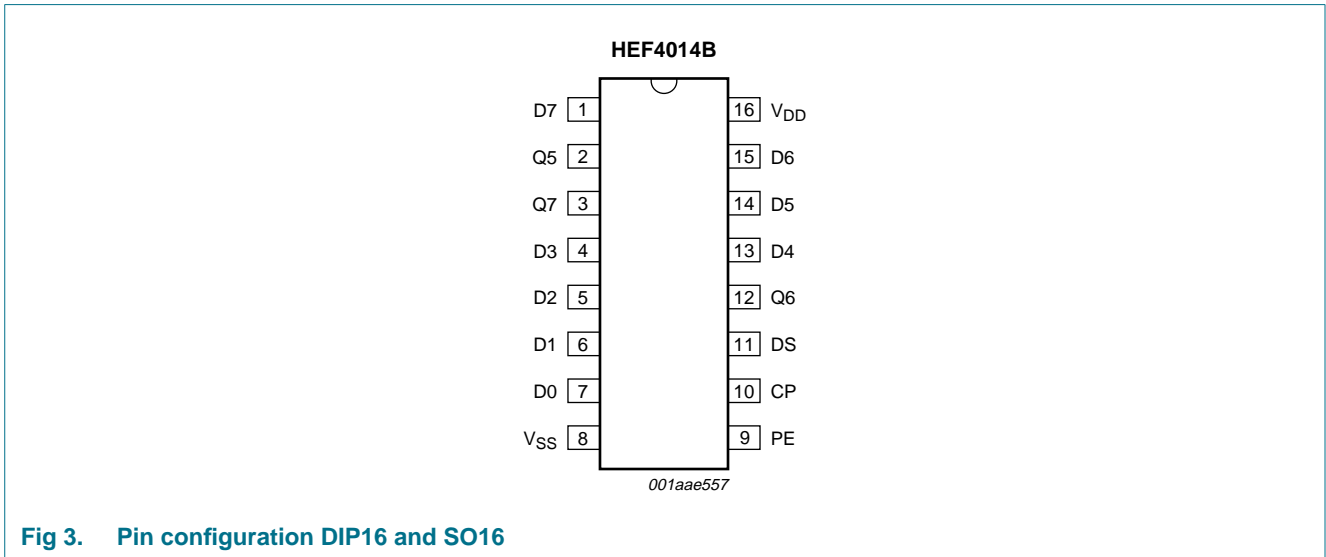


Fig 2. Logic diagram

6. Pinning information

6.1 Pinning



6.2 Pin description

Table 2. Pin description

Symbol	Pin	Description
Q5 to Q7	2, 12, 3	output
D0 to D7	7, 6, 5, 4, 13, 14, 15, 1	parallel data input
V _{SS}	8	ground supply voltage
PE	9	parallel enable input
CP	10	clock input (LOW-to-HIGH edge-triggered)
DS	11	serial data input
V _{DD}	16	supply voltage

7. Functional description

Table 3. Function table^[1]

Number of clock transitions	Inputs			Outputs		
	CP	DS	PE	Q5	Q6	Q7
Serial operation						
1	↑	1D	L	X	X	X
2	↑	2D	L	X	X	X
3	↑	3D	L	X	X	X
6	↑	X	L	1D	X	X
7	↑	X	L	2D	1D	X
8	↑	X	L	3D	2D	1D
	↓	X	X	no change	no change	no change
Parallel operation						
1	↑	X	H	D5	D6	D7
	↓	X	X	no change	no change	no change

- [1] H = HIGH voltage level; L = LOW voltage level; X = don't care; nD = HIGH or LOW;
 ↑ = LOW-to-HIGH clock transition; ↓ = HIGH-to-LOW clock transition;

8. Limiting values

Table 4. Limiting values

In accordance with the Absolute Maximum Rating System (IEC 60134).

Symbol	Parameter	Conditions	Min	Max	Unit
V _{DD}	supply voltage		-0.5	+18	V
I _{IK}	input clamping current	V _I < -0.5 V or V _I > V _{DD} + 0.5 V	-	±10	mA
V _I	input voltage		-0.5	V _{DD} + 0.5	V
I _{OK}	output clamping current	V _O < -0.5 V or V _O > V _{DD} + 0.5 V	-	±10	mA
I _{I/O}	input/output current		-	±10	mA
I _{DD}	supply current		-	50	mA
T _{stg}	storage temperature		-65	+150	°C
T _{amb}	ambient temperature		-40	+85	°C
P _{tot}	total power dissipation	T _{amb} = -40 °C to +85 °C			
		DIP16 package	[1] -	750	mW
		SO16 package	[2] -	500	mW
P	power dissipation	per output	-	100	mW

- [1] For DIP16 package: P_{tot} derates linearly with 12 mW/K above 70 °C.

- [2] For SO16 package: P_{tot} derates linearly with 8 mW/K above 70 °C.

9. Recommended operating conditions

Table 5. Recommended operating conditions

Symbol	Parameter	Conditions	Min	Typ	Max	Unit
V _{DD}	supply voltage		3	-	15	V
V _I	input voltage		0	-	V _{DD}	V
T _{amb}	ambient temperature	in free air	-40	-	+85	°C
Δt/ΔV	input transition rise and fall rate	V _{DD} = 5 V	-	-	3.75	μs/V
		V _{DD} = 10 V	-	-	0.5	μs/V
		V _{DD} = 15 V	-	-	0.08	μs/V

10. Static characteristics

Table 6. Static characteristics

V_{SS} = 0 V; V_I = V_{SS} or V_{DD} unless otherwise specified.

Symbol	Parameter	Conditions	V _{DD}	T _{amb} = -40 °C		T _{amb} = +25 °C		T _{amb} = +85 °C		Unit
				Min	Max	Min	Max	Min	Max	
V _{IH}	HIGH-level input voltage	I _O < 1 μA	5 V	3.5	-	3.5	-	3.5	-	V
			10 V	7.0	-	7.0	-	7.0	-	V
			15 V	11.0	-	11.0	-	11.0	-	V
V _{IL}	LOW-level input voltage	I _O < 1 μA	5 V	-	1.5	-	1.5	-	1.5	V
			10 V	-	3.0	-	3.0	-	3.0	V
			15 V	-	4.0	-	4.0	-	4.0	V
V _{OH}	HIGH-level output voltage	I _O < 1 μA	5 V	4.95	-	4.95	-	4.95	-	V
			10 V	9.95	-	9.95	-	9.95	-	V
			15 V	14.95	-	14.95	-	14.95	-	V
V _{OL}	LOW-level output voltage	I _O < 1 μA	5 V	-	0.05	-	0.05	-	0.05	V
			10 V	-	0.05	-	0.05	-	0.05	V
			15 V	-	0.05	-	0.05	-	0.05	V
I _{OH}	HIGH-level output current	V _O = 2.5 V	5 V	-1.7	-	-1.4	-	-1.1	-	mA
		V _O = 4.6 V	5 V	-0.52	-	-0.44	-	-0.36	-	mA
		V _O = 9.5 V	10 V	-1.3	-	-1.1	-	-0.9	-	mA
		V _O = 13.5 V	15 V	-3.6	-	-3.0	-	-2.4	-	mA
I _{OL}	LOW-level output current	V _O = 0.4 V	5 V	0.52	-	0.44	-	0.36	-	mA
		V _O = 0.5 V	10 V	1.3	-	1.1	-	0.9	-	mA
		V _O = 1.5 V	15 V	3.6	-	3.0	-	2.4	-	mA
I _I	input leakage current		15 V	-	±0.3	-	±0.3	-	±1.0	μA
I _{DD}	supply current	I _O = 0 A	5 V	-	20	-	20	-	150	μA
			10 V	-	40	-	40	-	300	μA
			15 V	-	80	-	80	-	600	μA
C _I	input capacitance		-	-	-	-	7.5	-	-	pF

11. Dynamic characteristics

Table 7. Dynamic characteristics
 $T_{amb} = 25\text{ }^{\circ}\text{C}; V_{SS} = 0\text{ V}.$

Symbol	Parameter	Conditions	V _{DD}	Extrapolation formula ^[1]	Min	Typ	Max	Unit
t _{PHL}	HIGH to LOW propagation delay	CP to Qn; see Figure 4	5 V	103 ns + (0.55 ns/pF)C _L	-	130	260	ns
			10 V	44 ns + (0.23 ns/pF)C _L	-	55	110	ns
			15 V	32 ns + (0.16 ns/pF)C _L	-	40	80	ns
t _{PLH}	LOW to HIGH propagation delay	CP to Qn; see Figure 4	5 V	88 ns + (0.55 ns/pF)C _L	-	115	230	ns
			10 V	39 ns + (0.23 ns/pF)C _L	-	50	100	ns
			15 V	32 ns + (0.16 ns/pF)C _L	-	40	80	ns
t _t	transition time	Qn output; see Figure 4	5 V ^[2]	10 ns + (1.00 ns/pF)C _L	-	60	120	ns
			10 V	9 ns + (0.42 ns/pF)C _L	-	30	60	ns
			15 V	6 ns + (0.28 ns/pF)C _L	-	20	40	ns
t _W	pulse width	CP input; minimum width; see Figure 5	5 V		70	35	-	ns
			10 V		30	15	-	ns
			15 V		24	12	-	ns
t _{su}	set-up time	PE → CP; see Figure 5	5 V		40	10	-	ns
			10 V		25	5	-	ns
			15 V		15	0	-	ns
		DS → CP; see Figure 5	5 V		+35	-5	-	ns
			10 V		+25	-5	-	ns
			15 V		25	0	-	ns
		Dn → CP; see Figure 5	5 V		+35	-5	-	ns
			10 V		+25	-5	-	ns
			15 V		25	0	-	ns
t _h	hold time	PE → CP; see Figure 5	5 V		+25	-5	-	ns
			10 V		20	0	-	ns
			15 V		15	0	-	ns
		DS → CP; see Figure 5	5 V		30	15	-	ns
			10 V		20	10	-	ns
			15 V		15	7	-	ns
		Dn → CP; see Figure 5	5 V		30	15	-	ns
			10 V		20	10	-	ns
			15 V		15	7	-	ns
f _{clk(max)}	maximum clock frequency	see Figure 5	5 V		6	13	-	MHz
			10 V		15	30	-	MHz
			15 V		20	40	-	MHz

[1] The typical values of the propagation delay and transition times are calculated from the extrapolation formulas shown (C_L in pF).

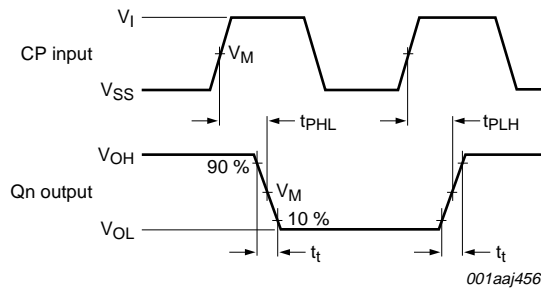
[2] t_t is the same as t_{THL} and t_{TLH}.

Table 8. Dynamic power dissipation P_D

P_D can be calculated from the formulas shown. $V_{SS} = 0\text{ V}$; $t_r = t_f \leq 20\text{ ns}$; $T_{amb} = 25\text{ }^\circ\text{C}$.

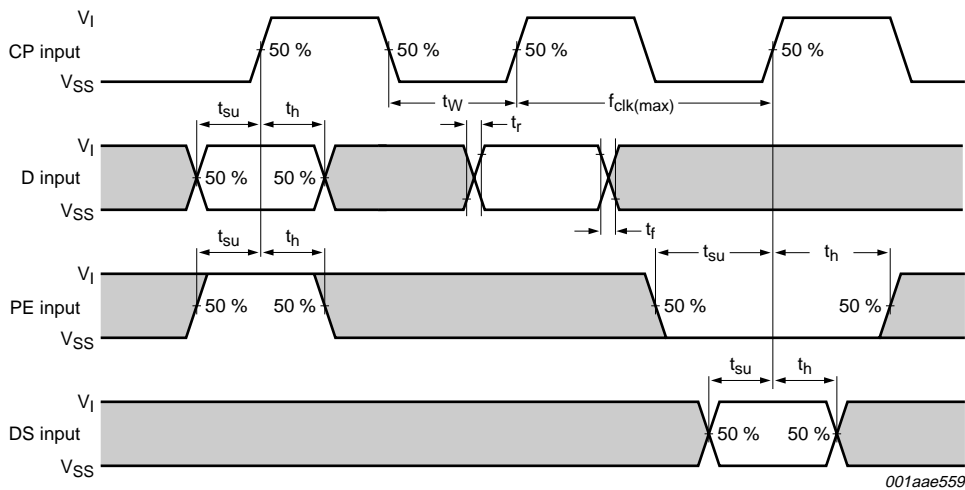
Symbol	Parameter	V_{DD}	Typical formula for P_D (μW)	Where:
P_D	dynamic power dissipation	5 V	$P_D = 900 \times f_i + \Sigma(f_o \times C_L) \times V_{DD}^2$	f_i = input frequency in MHz;
		10 V	$P_D = 4300 \times f_i + \Sigma(f_o \times C_L) \times V_{DD}^2$	f_o = output frequency in MHz;
		15 V	$P_D = 12000 \times f_i + \Sigma(f_o \times C_L) \times V_{DD}^2$	C_L = output load capacitance in pF;
				V_{DD} = supply voltage in V;
				$\Sigma(C_L \times f_o)$ = sum of the outputs.

12. Waveforms



Measurement points are given in [Table 9](#).

Fig 4. CP to Qn propagation delays and output transition times



The shaded areas indicate where change is permitted for predictable output performance.

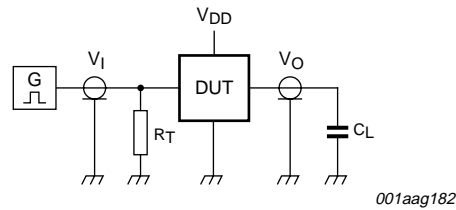
Set-up and hold times are shown as positive values but may be specified as negative values.

Measurement points are given in [Table 9](#).

Fig 5. Minimum clock pulse width, and set-up and hold times for PE to CP, DS to CP, and D to CP

Table 9. Measurement points

Supply voltage	Input	Output
V_{DD}	V_M	V_M
5 V to 15 V	$0.5V_{DD}$	$0.5V_{DD}$



Test data is given in [Table 10](#);

Definitions for test circuit:

DUT = Device Under Test.

C_L = load capacitance including jig and probe capacitance.

R_T = termination resistance should be equal to the output impedance Z_o of the pulse generator.

Fig 6. Test circuit

Table 10. Test data

Supply voltage	Input	Load
V_{DD}	V_I	C_L
5 V to 15 V	V_{SS} or V_{DD}	50 pF
		t_r, t_f
		≤ 20 ns

13. Package outline

DIP16: plastic dual in-line package; 16 leads (300 mil)

SOT38-4

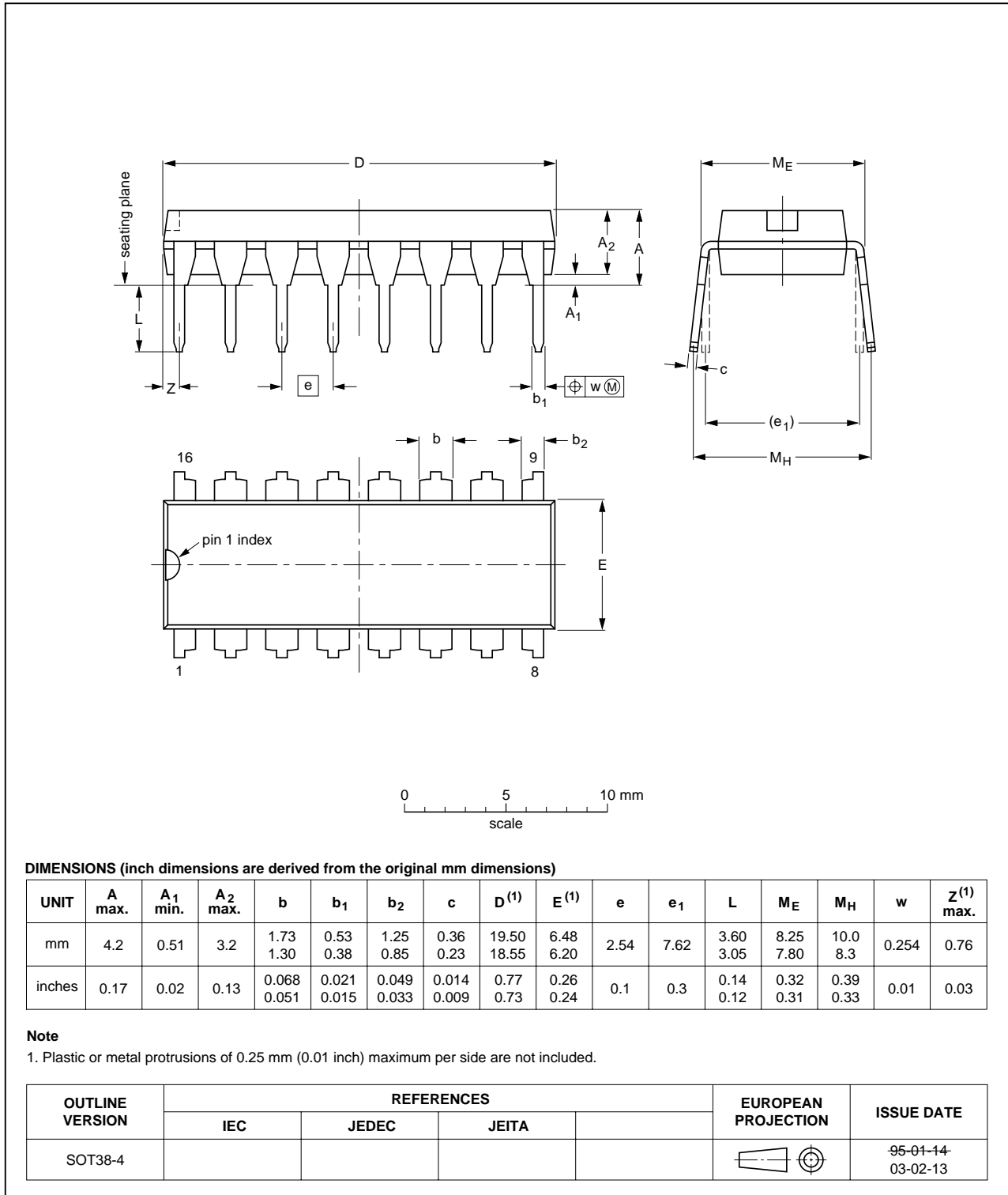


Fig 7. Package outline SOT38-4 (DIP16)

SO16: plastic small outline package; 16 leads; body width 3.9 mm

SOT109-1

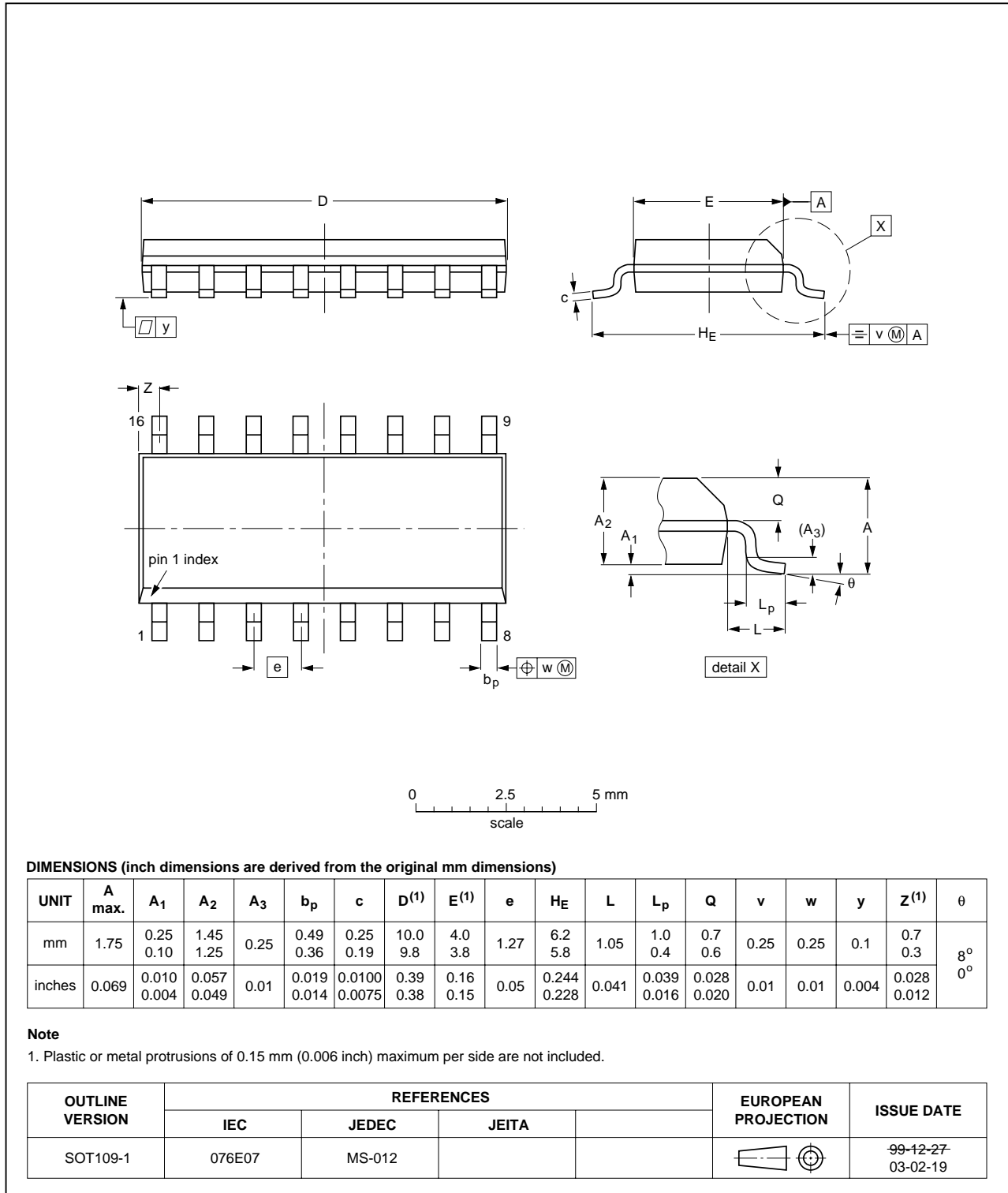


Fig 8. Package outline SOT109-1 (SO16)

14. Revision history

Table 11. Revision history

Document ID	Release date	Data sheet status	Change notice	Supersedes
HEF4014B_6	20091102	Product data sheet	-	HEF4014B_5
Modifications:	• Section 9 "Recommended operating conditions" $\Delta t/\Delta V$ values updated			
HEF4014B_5	20090624	Product data sheet	-	HEF4014B_4
HEF4014B_4	20090122	Product data sheet	-	HEF4014B_CNV_3
HEF4014B_CNV_3	19950101	Product specification	-	HEF4014B_CNV_2
HEF4014B_CNV_2	19950101	Product specification	-	-

15. Legal information

15.1 Data sheet status

Document status ^{[1][2]}	Product status ^[3]	Definition
Objective [short] data sheet	Development	This document contains data from the objective specification for product development.
Preliminary [short] data sheet	Qualification	This document contains data from the preliminary specification.
Product [short] data sheet	Production	This document contains the product specification.

[1] Please consult the most recently issued document before initiating or completing a design.

[2] The term 'short data sheet' is explained in section "Definitions".

[3] The product status of device(s) described in this document may have changed since this document was published and may differ in case of multiple devices. The latest product status information is available on the Internet at URL <http://www.nxp.com>.

15.2 Definitions

Draft — The document is a draft version only. The content is still under internal review and subject to formal approval, which may result in modifications or additions. NXP Semiconductors does not give any representations or warranties as to the accuracy or completeness of information included herein and shall have no liability for the consequences of use of such information.

Short data sheet — A short data sheet is an extract from a full data sheet with the same product type number(s) and title. A short data sheet is intended for quick reference only and should not be relied upon to contain detailed and full information. For detailed and full information see the relevant full data sheet, which is available on request via the local NXP Semiconductors sales office. In case of any inconsistency or conflict with the short data sheet, the full data sheet shall prevail.

15.3 Disclaimers

General — Information in this document is believed to be accurate and reliable. However, NXP Semiconductors does not give any representations or warranties, expressed or implied, as to the accuracy or completeness of such information and shall have no liability for the consequences of use of such information.

Right to make changes — NXP Semiconductors reserves the right to make changes to information published in this document, including without limitation specifications and product descriptions, at any time and without notice. This document supersedes and replaces all information supplied prior to the publication hereof.

Suitability for use — NXP Semiconductors products are not designed, authorized or warranted to be suitable for use in medical, military, aircraft, space or life support equipment, nor in applications where failure or malfunction of an NXP Semiconductors product can reasonably be expected to result in personal injury, death or severe property or environmental

damage. NXP Semiconductors accepts no liability for inclusion and/or use of NXP Semiconductors products in such equipment or applications and therefore such inclusion and/or use is at the customer's own risk.

Applications — Applications that are described herein for any of these products are for illustrative purposes only. NXP Semiconductors makes no representation or warranty that such applications will be suitable for the specified use without further testing or modification.

Limiting values — Stress above one or more limiting values (as defined in the Absolute Maximum Ratings System of IEC 60134) may cause permanent damage to the device. Limiting values are stress ratings only and operation of the device at these or any other conditions above those given in the Characteristics sections of this document is not implied. Exposure to limiting values for extended periods may affect device reliability.

Terms and conditions of sale — NXP Semiconductors products are sold subject to the general terms and conditions of commercial sale, as published at <http://www.nxp.com/profile/terms>, including those pertaining to warranty, intellectual property rights infringement and limitation of liability, unless explicitly otherwise agreed to in writing by NXP Semiconductors. In case of any inconsistency or conflict between information in this document and such terms and conditions, the latter will prevail.

No offer to sell or license — Nothing in this document may be interpreted or construed as an offer to sell products that is open for acceptance or the grant, conveyance or implication of any license under any copyrights, patents or other industrial or intellectual property rights.

Export control — This document as well as the item(s) described herein may be subject to export control regulations. Export might require a prior authorization from national authorities.

15.4 Trademarks

Notice: All referenced brands, product names, service names and trademarks are the property of their respective owners.

16. Contact information

For more information, please visit: <http://www.nxp.com>

For sales office addresses, please send an email to: salesaddresses@nxp.com

17. Contents

1 **General description** 1

2 **Features** 1

3 **Applications** 1

4 **Ordering information** 2

5 **Functional diagram** 2

6 **Pinning information** 3

6.1 Pinning 3

6.2 Pin description 3

7 **Functional description** 4

8 **Limiting values** 4

9 **Recommended operating conditions** 5

10 **Static characteristics** 5

11 **Dynamic characteristics** 6

12 **Waveforms** 7

13 **Package outline** 9

14 **Revision history** 11

15 **Legal information** 12

15.1 Data sheet status 12

15.2 Definitions 12

15.3 Disclaimers 12

15.4 Trademarks 12

16 **Contact information** 12

17 **Contents** 13

Please be aware that important notices concerning this document and the product(s) described herein, have been included in section 'Legal information'.



© NXP B.V. 2009.

All rights reserved.

For more information, please visit: <http://www.nxp.com>

For sales office addresses, please send an email to: salesaddresses@nxp.com

Date of release: 2 November 2009

Document identifier: HEF4014B_6