

# P89LPC912/913/914

8-bit microcontrollers with two-clock 80C51 core, 1 kB 3 V flash with 128-byte RAM

Rev. 05 — 28 September 2007

Product data sheet

## 1. General description

---

The P89LPC912/913/914 are single-chip microcontrollers in low-cost 14-pin packages, based on a high performance processor architecture that executes instructions in two to four clocks, six times the rate of standard 80C51 devices. Many system-level functions have been incorporated into the P89LPC912/913/914 in order to reduce component count, board space, and system cost.

## 2. Features

---

### 2.1 Principal features

- 1 kB byte-erasable flash code memory organized into 256 B sectors and 16 B pages. Single-byte erasing allows any byte(s) to be used as non-volatile data storage.
- 128 B RAM data memory.
- Two 16-bit counter/timers. Each timer may be configured to toggle a port output upon timer overflow or to become a PWM output.
- 23-bit system timer that can also be used as a RTC.
- Two analog comparators with selectable inputs and reference source.
- Enhanced UART with fractional baud rate generator, break detect, framing error detection, automatic address detection and versatile interrupt capabilities (P89LPC913, P89LPC914).
- SPI communication port.
- Internal RC oscillator (factory calibrated to  $\pm 1\%$ ) option allows operation without external oscillator components. The RC oscillator option is selectable and fine tunable.
- 2.4 V to 3.6 V  $V_{DD}$  operating range. I/O pins are 5 V tolerant (may be pulled up or driven to 5.5 V).
- Up to 12 I/O pins when using internal oscillator and reset options.

### 2.2 Additional features

- 14-pin TSSOP packages.
- A high performance 80C51 CPU provides instruction cycle times of 111 ns to 222 ns for all instructions except multiply and divide when executing at 18 MHz (167 ns to 333 ns at 12 MHz). This is six times the performance of the standard 80C51 running at the same clock frequency. A lower clock frequency for the same performance results in power savings and reduced EMI.
- In-Application Programming (IAP-Lite) and byte erase allows code memory to be used for non-volatile data storage.

- Serial flash In-Circuit Programming (ICP) allows simple production coding with commercial EPROM programmers. Flash security bits prevent reading of sensitive application programs.
- Watchdog timer with separate on-chip oscillator, requiring no external components. The watchdog prescaler is selectable from eight values.
- Low voltage reset (brownout detect) allows a graceful system shutdown when power fails. May optionally be configured as an interrupt.
- Idle and two different power-down reduced power modes. Improved wake-up from Power-down mode (a LOW interrupt input starts execution). Typical power-down current is 1  $\mu$ A (total power-down with voltage comparators disabled).
- Active-LOW reset. On-chip power-on reset allows operation without external reset components. A reset counter and reset glitch suppression circuitry prevent spurious and incomplete resets. A software reset function is also available.
- Configurable on-chip oscillator with frequency range options selected by user programmed flash configuration bits. Oscillator options support frequencies from 20 kHz to the maximum operating frequency of 18 MHz (P89LPC912, P89LPC913).
- Oscillator fail detect. The watchdog timer has a separate fully on-chip oscillator allowing it to perform an oscillator fail detect function.
- Programmable port output configuration options: quasi-bidirectional, open-drain, push-pull, input-only.
- Port 'input pattern match' detect. Port 0 may generate an interrupt when the value of the pins match or do not match a programmable pattern.
- LED drive capability (20 mA) on all port pins. A maximum limit is specified for the entire chip.
- Controlled slew rate port outputs to reduce EMI. Outputs have approximately 10 ns minimum ramp times.
- Only power and ground connections are required to operate the P89LPC912/913/914 when internal reset option is selected.
- Four interrupt priority levels.
- Four keypad interrupt inputs.
- Second data pointer.
- Schmitt trigger port inputs.
- Emulation support.

### 3. Product comparison

[Table 1](#) highlights the differences between these three devices. For a complete list of device features, please see [Section 2 “Features” on page 1](#).

**Table 1. Product comparison**

| Type number | External crystal pins | X2 CLKOUT | T0 PWM output | SPI with SS pin | SPI without SS pin | UART |     | Max f <sub>osc</sub> (MHz) |
|-------------|-----------------------|-----------|---------------|-----------------|--------------------|------|-----|----------------------------|
|             |                       |           |               |                 |                    | TXD  | RXD |                            |
| P89LPC912   | X                     | X         | X             | X               | -                  | -    | -   | 18                         |
| P89LPC913   | X                     | X         | -             | -               | X                  | X    | X   | 18                         |
| P89LPC914   | -                     | -         | X             | X               | -                  | X    | X   | 12                         |

### 4. Ordering information

**Table 2. Ordering information**

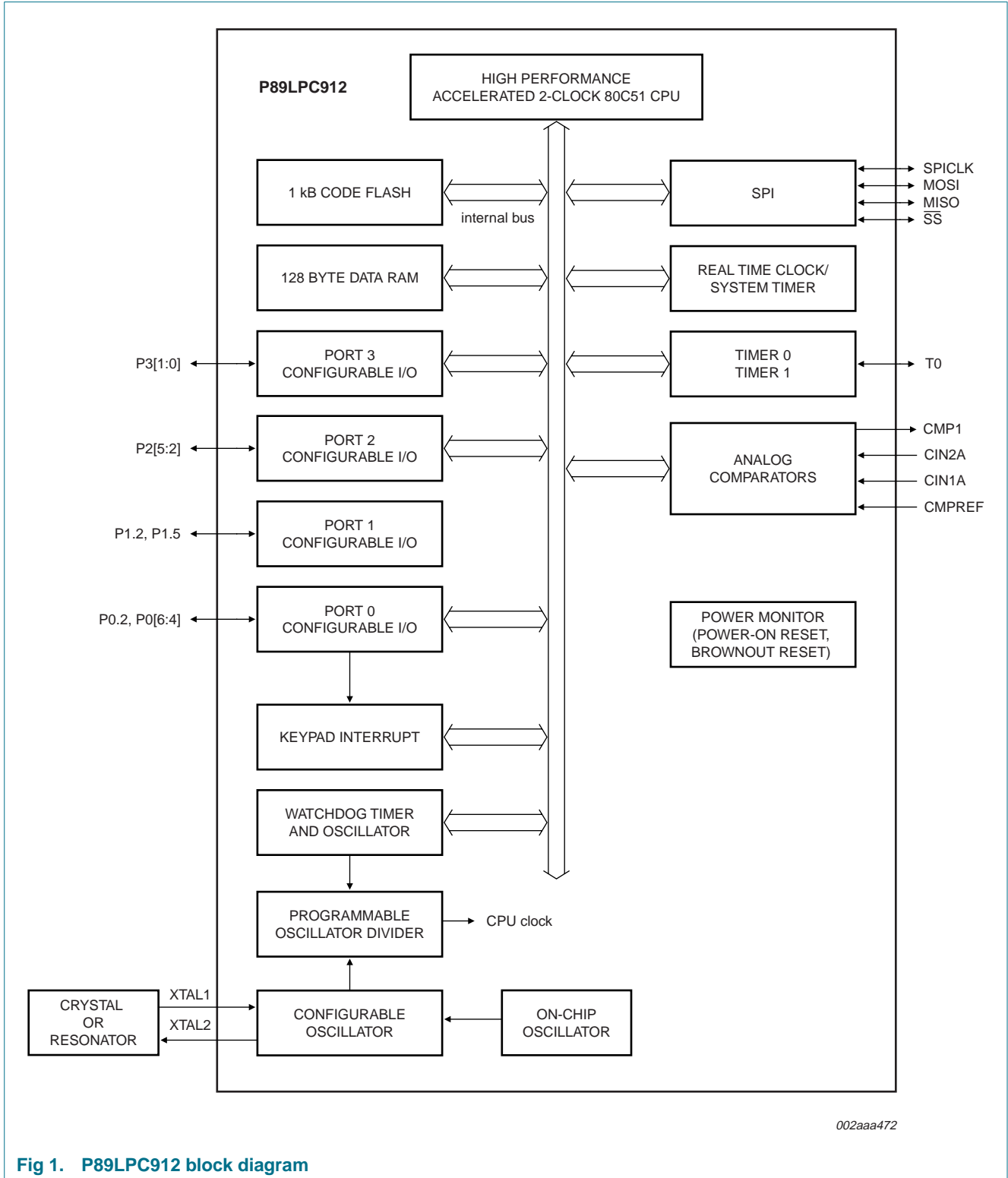
| Type number  | Package |  |          |
|--------------|---------|--|----------|
|              | Name    | Description  | Version  |
| P89LPC912FDH | TSSOP14 | plastic thin shrink small outline package; 14 leads; body width 4.4 mm | SOT402-1 |
| P89LPC912HDH |         |  |          |
| P89LPC913FDH |         |  |          |
| P89LPC914FDH |         |  |          |

#### 4.1 Ordering options

**Table 3. Ordering options**

| Type number  | Temperature range | Frequency       |
|--------------|-------------------|-----------------|
| P89LPC912FDH | -40 °C to +85 °C  | 0 MHz to 18 MHz |
| P89LPC912HDH | -40 °C to +125 °C | 0 MHz to 18 MHz |
| P89LPC913FDH | -40 °C to +85 °C  | 0 MHz to 18 MHz |
| P89LPC914FDH | -40 °C to +85 °C  | 0 MHz to 12 MHz |

**5. Block diagram**



**Fig 1. P89LPC912 block diagram**

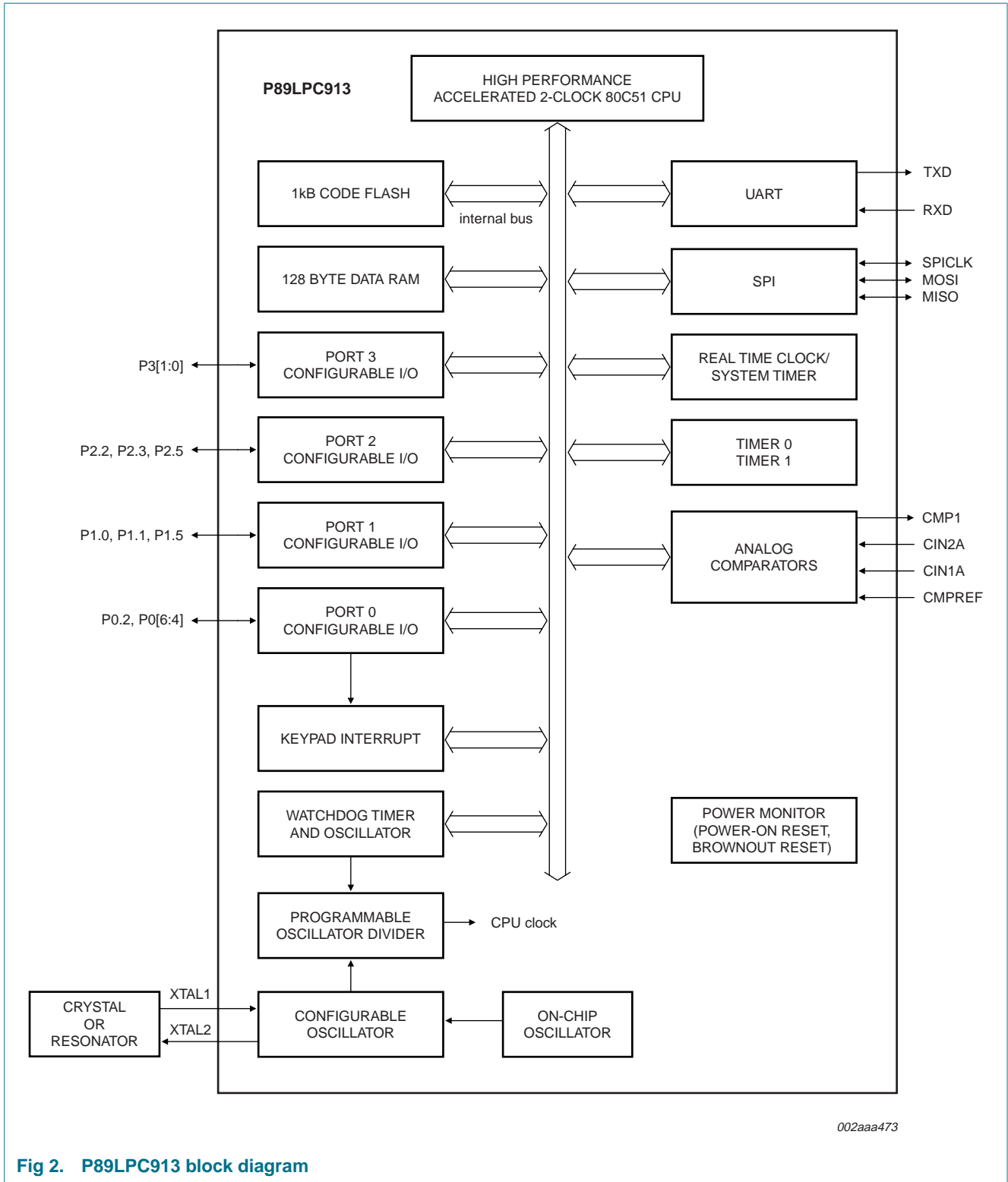


Fig 2. P89LPC913 block diagram

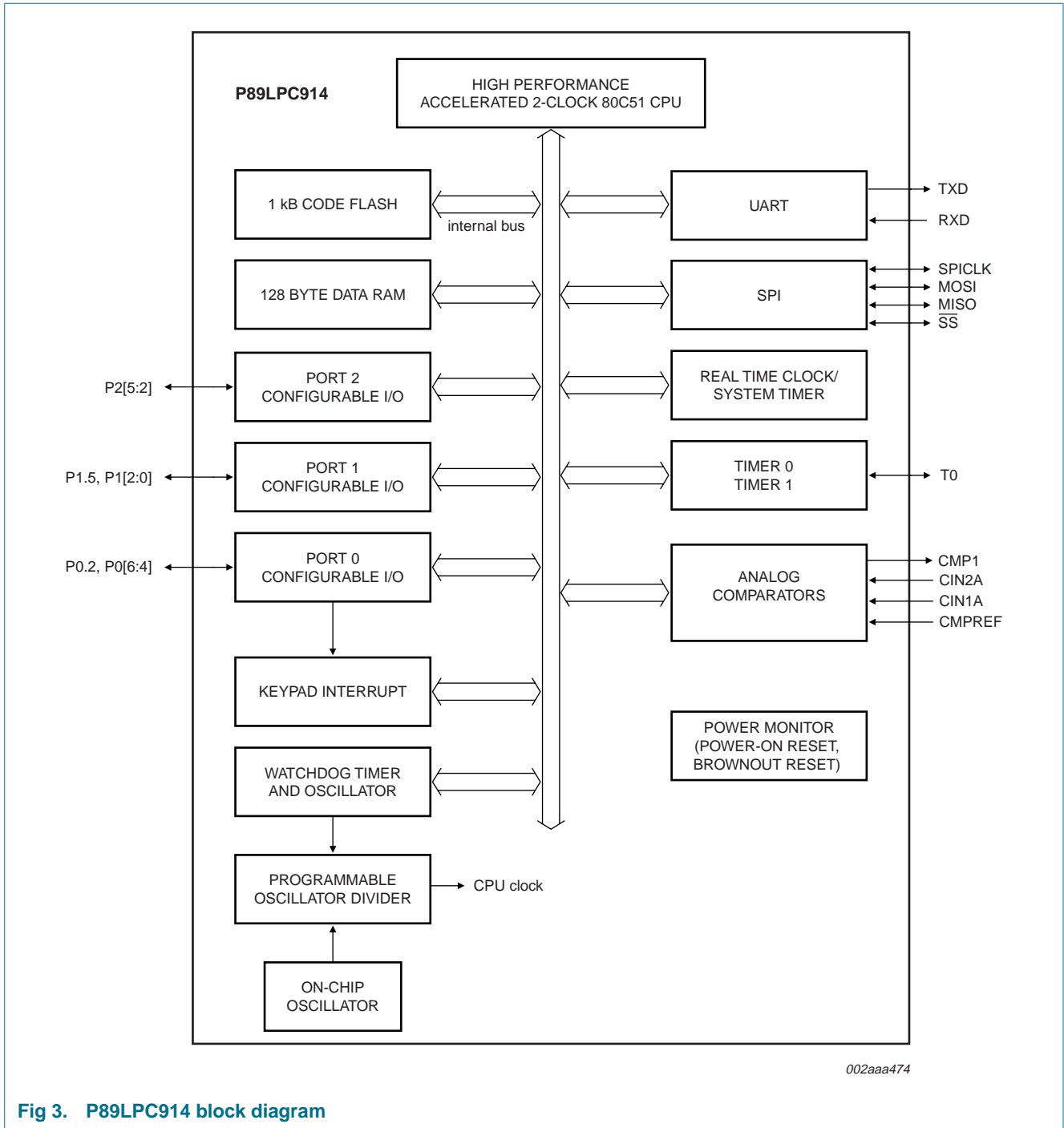
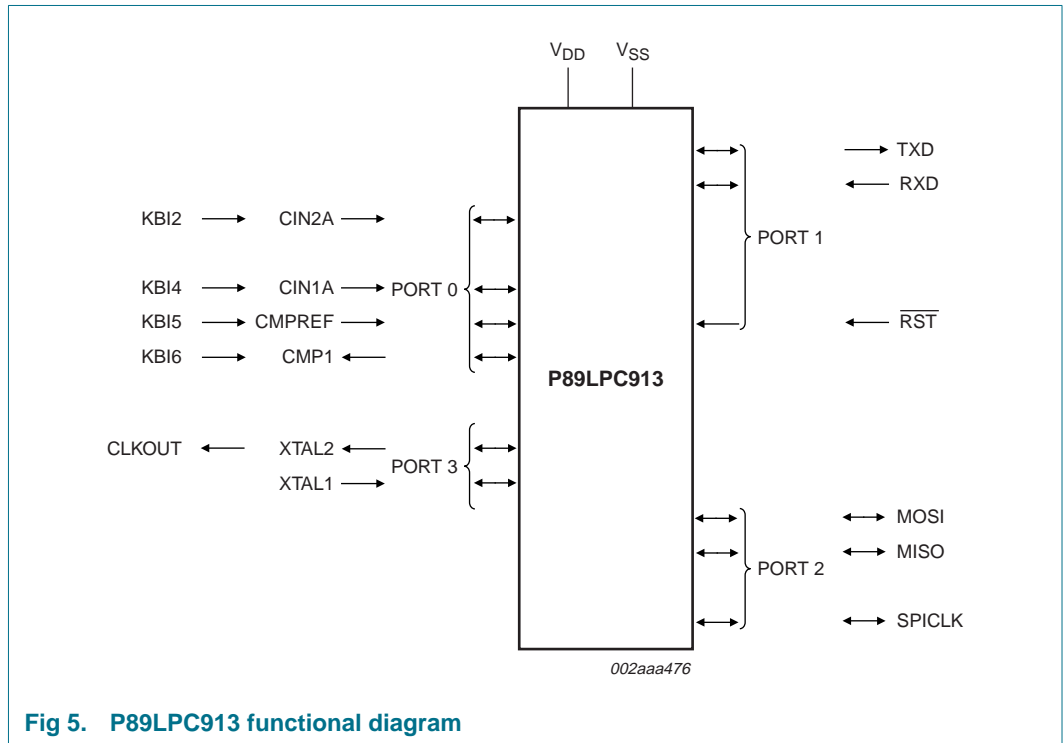
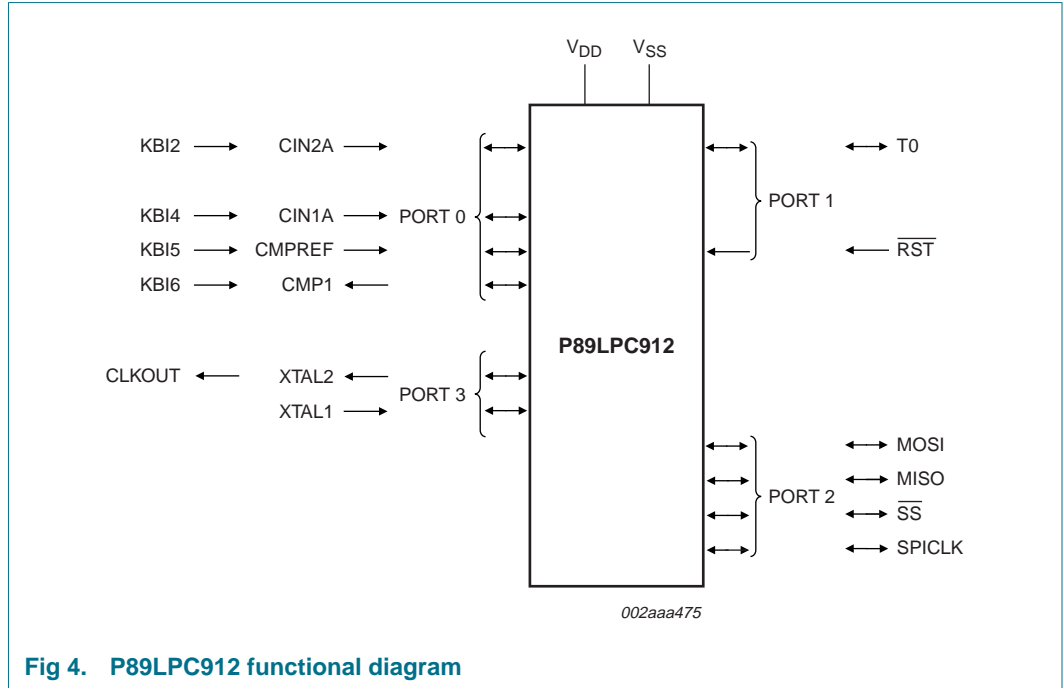
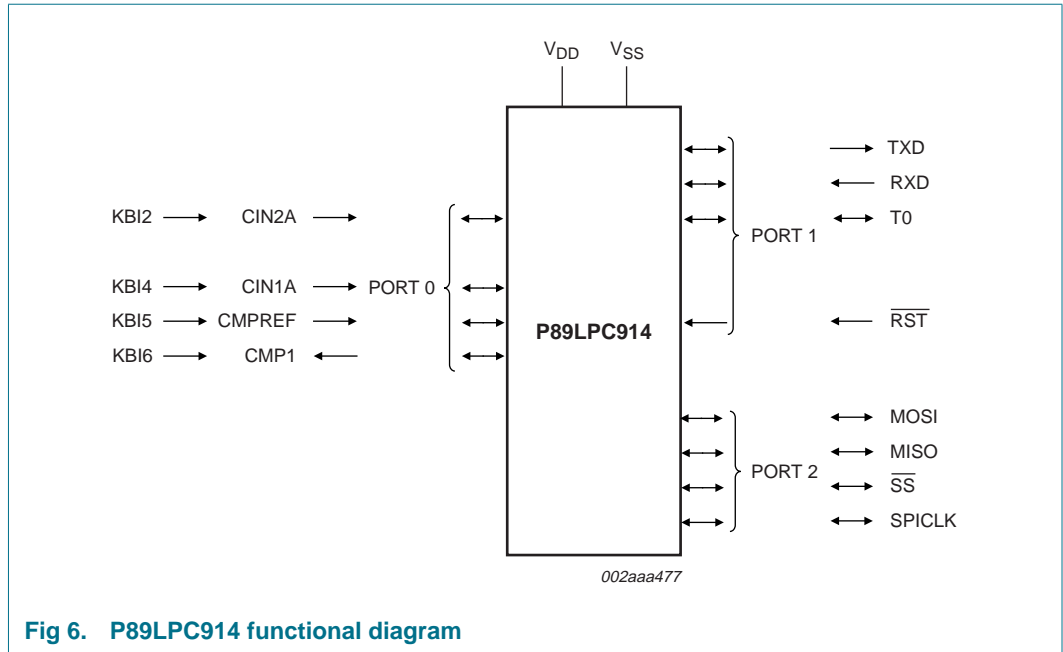


Fig 3. P89LPC914 block diagram

## 6. Functional diagram



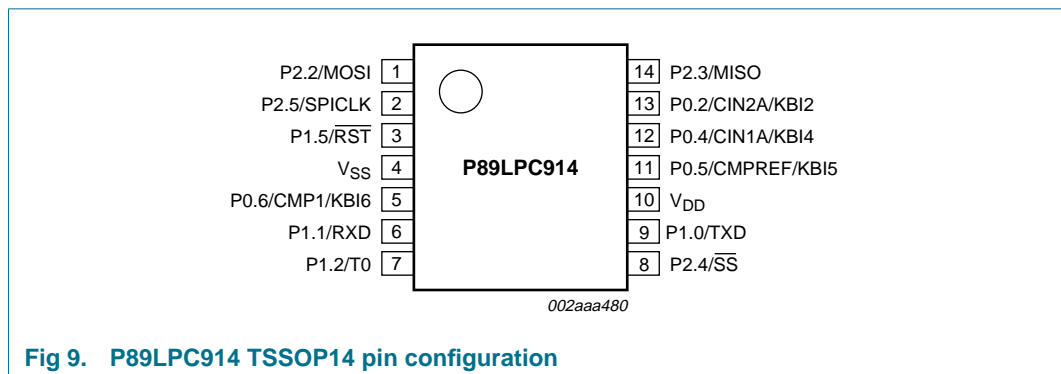
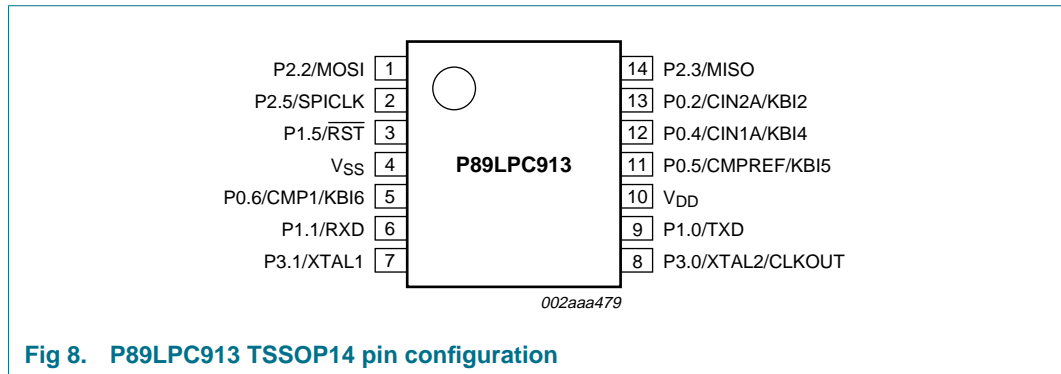
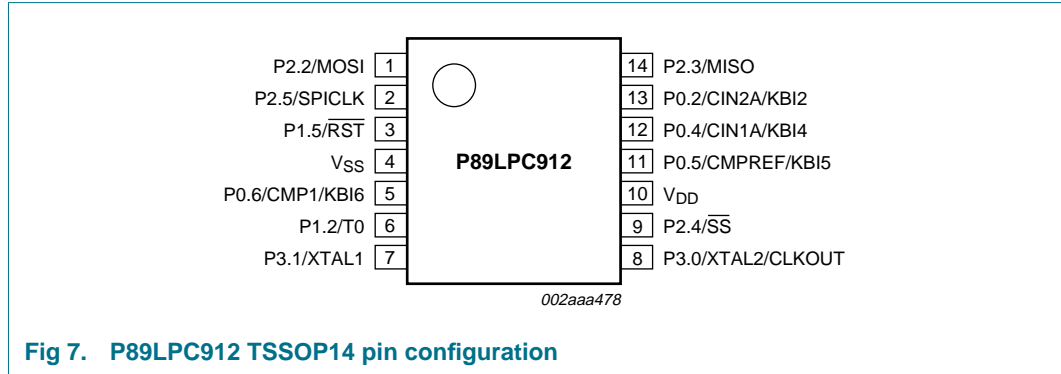


**Fig 6. P89LPC914 functional diagram**



## 7. Pinning information

### 7.1 Pinning



## 7.2 Pin description

Table 4. P89LPC912 pin description

| Symbol                        | Pin | Type                    | Description   |
|-------------------------------|-----|-------------------------|---|
| P0.2, P0.4 to P0.6            |     | I/O                     | <p><b>Port 0:</b> Port 0 is a 4-bit I/O port with a user-configurable output type. During reset Port 0 latches are configured in the input only mode with the internal pull-up disabled. The operation of Port 0 pins as inputs and outputs depends upon the port configuration selected. Each port pin is configured independently. Refer to <a href="#">Section 8.12.1 “Port configurations”</a> and <a href="#">Table 13 “Static characteristics”</a> for details.</p> <p>The Keypad Interrupt feature operates with Port 0 pins.</p> <p>All pins have Schmitt triggered inputs.</p> <p>Port 0 also provides various special functions as described below:</p>   |
| P0.2/CIN2A/<br>KBI2           | 13  | I/O                     | <b>P0.2</b> — Port 0 bit 2.   |
|                               |     | I                       | <b>CIN2A</b> — Comparator 2 positive input A.   |
|                               |     | I                       | <b>KBI2</b> — Keyboard input 2.   |
| P0.4/CIN1A/<br>KBI4           | 12  | I/O                     | <b>P0.4</b> — Port 0 bit 4.   |
|                               |     | I                       | <b>CIN1A</b> — Comparator 1 positive input A.   |
|                               |     | I                       | <b>KBI4</b> — Keyboard input 4.   |
| P0.5/CMPREF/<br>KBI5          | 11  | I/O                     | <b>P0.5</b> — Port 0 bit 5.   |
|                               |     | I                       | <b>CMPREF</b> — Comparator reference (negative) input.  |
|                               |     | I                       | <b>KBI5</b> — Keyboard input 5.   |
| P0.6/CMP1/<br>KBI6            | 5   | I/O                     | <b>P0.6</b> — Port 0 bit 6.   |
|                               |     | O                       | <b>CMP1</b> — Comparator 1 output.  |
|                               |     | I                       | <b>KBI6</b> — Keyboard input 6.   |
| P1.2, P1.5                    |     | I/O (P1.2);<br>I (P1.5) | <p><b>Port 1:</b> Port 1 is a 2-bit I/O port with P1.2 having a user-configurable output type as noted below. During reset Port 1 latches are configured in the input only mode with the internal pull-up disabled. The operation of the P1.2 input and outputs depends upon the port configuration selected. Refer to <a href="#">Section 8.12.1 “Port configurations”</a> and <a href="#">Table 13 “Static characteristics”</a> for details. P1.2 is an open drain when used as an output. P1.5 is input only.</p> <p>All pins have Schmitt triggered inputs.</p> <p>Port 1 also provides various special functions as described below:</p>   |
| P1.2/T0                       | 6   | I/O                     | <b>P1.2</b> — Port 1 bit 2. (Open drain when used as an output.)  |
|                               |     | I/O                     | <b>T0</b> — Timer/counter 0 external count input or overflow output. (Open drain when used as outputs.)   |
| P1.5/ $\overline{\text{RST}}$ | 3   | I                       | <b>P1.5</b> — Port 1 bit 5. (Input only.)   |
|                               |     | I                       | <p><math>\overline{\text{RST}}</math> — External Reset input during power-on or if selected via UCFG1. When functioning as a reset input a LOW on this pin resets the microcontroller, causing I/O ports and peripherals to take on their default states, and the processor begins execution at address 0. Also used during a power-on sequence to force ISP mode.</p> <p><b>When using an oscillator frequency above 12 MHz, the reset input function of P1.5 must be enabled. An external circuit is required to hold the device in reset at power-up until <math>V_{DD}</math> has reached its specified level. When system power is removed <math>V_{DD}</math> will fall below the minimum specified operating voltage. When using an oscillator frequency above 12 MHz, in some applications, an external brownout detect circuit may be required to hold the device in reset when <math>V_{DD}</math> falls below the minimum specified operating voltage.</b></p> |

**Table 4. P89LPC912 pin description ...continued**

| Symbol                | Pin | Type | Description  |
|-----------------------|-----|------|--|
| P2.2 to P2.5          |     | I/O  | <p><b>Port 2:</b> Port 2 is a 4-bit I/O port with a user-configurable output type. During reset Port 2 latches are configured in the input only mode with the internal pull-up disabled. The operation of Port 2 pins as inputs and outputs depends upon the port configuration selected. Each port pin is configured independently. Refer to <a href="#">Section 8.12.1 "Port configurations"</a> and <a href="#">Table 13 "Static characteristics"</a> for details.</p> <p>All pins have Schmitt triggered inputs.</p> <p>Port 2 also provides various special functions as described below:</p> |
| P2.2/MOSI             | 1   | I/O  | <b>P2.2</b> — Port 2 bit 2.  |
|                       |     | I/O  | <b>MOSI</b> — SPI master out slave in. When configured as master, this pin is output, when configured as slave, this pin is input.   |
| P2.3/MISO             | 14  | I/O  | <b>P2.3</b> — Port 2 bit 3.  |
|                       |     | I/O  | <b>MISO</b> — SPI master in slave out. When configured as master, this pin is input, when configured as slave, this pin is output.   |
| P2.4/ $\overline{SS}$ | 9   | I/O  | <b>P2.4</b> — Port 2 bit 4.  |
|                       |     | I    | $\overline{SS}$ — SPI Slave select.  |
| P2.5/SPICLK           | 2   | I/O  | <b>P2.5</b> — Port 2 bit 5.  |
|                       |     | I/O  | <b>SPICLK</b> — SPI clock. When configured as master, this pin is output, when configured as slave, this pin is input.   |
| P3.0 to P3.1          |     | I/O  | <p><b>Port 3:</b> Port 3 is a 2-bit I/O port with a user-configurable output type. During reset Port 3 latches are configured in the input only mode with the internal pull-up disabled. The operation of Port 3 pins as inputs and outputs depends upon the port configuration selected. Each port pin is configured independently. Refer to <a href="#">Section 8.12.1 "Port configurations"</a> and <a href="#">Table 13 "Static characteristics"</a> for details.</p> <p>All pins have Schmitt triggered inputs.</p> <p>Port 3 also provides various special functions as described below:</p> |
| P3.0/XTAL2/<br>CLKOUT | 8   | I/O  | <b>P3.0</b> — Port 3 bit 0.  |
|                       |     | O    | <b>XTAL2</b> — Output from the oscillator amplifier (when a crystal oscillator option is selected via the flash configuration).  |
|                       |     | O    | <b>CLKOUT</b> — CPU clock divided by 2 when enabled via SFR bit (ENCLK - TRIM.6). It can be used if the CPU clock is the internal RC oscillator, watchdog oscillator or external clock input, except when XTAL1/XTAL2 are used to generate clock source for the Real-Time clock/system timer.  |
| P3.1/XTAL1            | 7   | I/O  | <b>P3.1</b> — Port 3 bit 1.  |
|                       |     | I    | <b>XTAL1</b> — Input to the oscillator circuit and internal clock generator circuits (when selected via the flash configuration). It can be a port pin if internal RC oscillator or watchdog oscillator is used as the CPU clock source, <b>and</b> if XTAL1/XTAL2 are not used to generate the clock for the Real-Time clock/system timer.  |
| V <sub>SS</sub>       | 4   | I    | <b>Ground:</b> 0 V reference.  |
| V <sub>DD</sub>       | 10  | I    | <b>Power Supply:</b> This is the power supply voltage for normal operation as well as Idle and Power-down modes.   |

Table 5. P89LPC913 pin description

| Symbol                        | Pin | Type                                | Description   |
|-------------------------------|-----|-------------------------------------|---|
| P0.2,<br>P0.4 to P0.6         |     | I/O                                 | <p><b>Port 0:</b> Port 0 is a 4-bit I/O port with a user-configurable output type. During reset Port 0 latches are configured in the input only mode with the internal pull-up disabled. The operation of Port 0 pins as inputs and outputs depends upon the port configuration selected. Each port pin is configured independently. Refer to <a href="#">Section 8.12.1 “Port configurations”</a> and <a href="#">Table 13 “Static characteristics”</a> for details.</p> <p>The Keypad Interrupt feature operates with Port 0 pins.</p> <p>All pins have Schmitt triggered inputs.</p> <p>Port 0 also provides various special functions as described below:</p>   |
| P0.2/CIN2A/<br>KBI2           | 13  | I/O                                 | <b>P0.2</b> — Port 0 bit 2.   |
|                               |     | I                                   | <b>CIN2A</b> — Comparator 2 positive input A.   |
|                               |     | I                                   | <b>KBI2</b> — Keyboard input 2.   |
| P0.4/CIN1A/<br>KBI4           | 12  | I/O                                 | <b>P0.4</b> — Port 0 bit 4.   |
|                               |     | I                                   | <b>CIN1A</b> — Comparator 1 positive input A.   |
|                               |     | I                                   | <b>KBI4</b> — Keyboard input 4.   |
| P0.5/CMPREF/<br>KBI5          | 11  | I/O                                 | <b>P0.5</b> — Port 0 bit 5.   |
|                               |     | I                                   | <b>CMPREF</b> — Comparator reference (negative) input.  |
|                               |     | I                                   | <b>KBI5</b> — Keyboard input 5.   |
| P0.6/CMP1/<br>KBI6            | 5   | I/O                                 | <b>P0.6</b> — Port 0 bit 6.   |
|                               |     | O                                   | <b>CMP1</b> — Comparator 1 output.  |
|                               |     | I                                   | <b>KBI6</b> — Keyboard input 6.   |
| P1.0, P1.1,<br>P1.5           |     | I/O<br>(P1.0,<br>P1.1);<br>I (P1.5) | <p><b>Port 1:</b> Port 1 is a 3-bit I/O port with a user-configurable output type, except for P1.5 noted below. During reset Port 1 latches are configured in the input only mode with the internal pull-up disabled. The operation of the configurable Port 1 pins as inputs and outputs depends upon the port configuration selected. Each of the configurable port pins are programmed independently. Refer to <a href="#">Section 8.12.1 “Port configurations”</a> and <a href="#">Table 13 “Static characteristics”</a> for details. P1.5 is input only.</p> <p>All pins have Schmitt triggered inputs.</p> <p>Port 1 also provides various special functions as described below:</p>  |
| P1.0/TXD                      | 9   | I/O                                 | <b>P1.0</b> — Port 1 bit 0.   |
|                               |     | O                                   | <b>TXD</b> — Transmitter output for the serial port.  |
| P1.1/RXD                      | 6   | I/O                                 | <b>P1.1</b> — Port 1 bit 1.   |
|                               |     | I                                   | <b>RXD</b> — Receiver input for the serial port.  |
| P1.5/ $\overline{\text{RST}}$ | 3   | I                                   | <b>P1.5</b> — Port 1 bit 5 (input only).  |
|                               |     | I                                   | <p><b>RST</b> — External Reset input during Power-on or if selected via UCFG1. When functioning as a reset input, a LOW on this pin resets the microcontroller, causing I/O ports and peripherals to take on their default states, and the processor begins execution at address 0. Also used during a power-on sequence to force ISP mode.</p> <p><b>When using an oscillator frequency above 12 MHz, the reset input function of P1.5 must be enabled. An external circuit is required to hold the device in reset at power-up until V<sub>DD</sub> has reached its specified level. When system power is removed V<sub>DD</sub> will fall below the minimum specified operating voltage. When using an oscillator frequency above 12 MHz, in some applications, an external brownout detect circuit may be required to hold the device in reset when V<sub>DD</sub> falls below the minimum specified operating voltage.</b></p> |

Table 5. P89LPC913 pin description ...continued

| Symbol            | Pin | Type | Description  |
|-------------------|-----|------|--|
| P2.2, P2.3, P2.5  |     | I/O  | <p><b>Port 2:</b> Port 2 is a 3-bit I/O port with a user-configurable output type. During reset Port 2 latches are configured in the input only mode with the internal pull-up disabled. The operation of Port 2 pins as inputs and outputs depends upon the port configuration selected. Each port pin is configured independently. Refer to <a href="#">Section 8.12.1 "Port configurations"</a> and <a href="#">Table 13 "Static characteristics"</a> for details.</p> <p>All pins have Schmitt triggered inputs.</p> <p>Port 2 also provides various special functions as described below:</p> |
| P2.2/MOSI         | 1   | I/O  | <p><b>P2.2</b> — Port 2 bit 2.</p>   |
|                   |     | I/O  | <p><b>MOSI</b> — SPI master out slave in. When configured as master, this pin is output, when configured as slave, this pin is input.</p>  |
| P2.3/MISO         | 14  | I/O  | <p><b>P2.3</b> — Port 2 bit 3.</p>   |
|                   |     | I/O  | <p><b>MISO</b> — SPI master in slave out. When configured as master, this pin is input, when configured as slave, this pin is output.</p>  |
| P2.5/SPICLK       | 2   | I/O  | <p><b>P2.5</b> — Port 2 bit 5.</p>   |
|                   |     | I/O  | <p><b>SPICLK</b> — SPI clock. When configured as master, this pin is output, when configured as slave, this pin is input.</p>  |
| P3.0 to P3.1      |     | I/O  | <p><b>Port 3:</b> Port 3 is a 2-bit I/O port with a user-configurable output type. During reset Port 3 latches are configured in the input only mode with the internal pull-up disabled. The operation of Port 3 pins as inputs and outputs depends upon the port configuration selected. Each port pin is configured independently. Refer to <a href="#">Section 8.12.1 "Port configurations"</a> and <a href="#">Table 13 "Static characteristics"</a> for details.</p> <p>All pins have Schmitt triggered inputs.</p> <p>Port 3 also provides various special functions as described below:</p> |
| P3.0/XTAL2/CLKOUT | 8   | I/O  | <p><b>P3.0</b> — Port 3 bit 0.</p>   |
|                   |     | O    | <p><b>XTAL2</b> — Output from the oscillator amplifier (when a crystal oscillator option is selected via the flash configuration).</p>   |
|                   |     | O    | <p><b>CLKOUT</b> — CPU clock divided by 2 when enabled via SFR bit (ENCLK - TRIM.6). It can be used if the CPU clock is the internal RC oscillator, watchdog oscillator or external clock input, except when XTAL1/XTAL2 are used to generate clock source for the Real-Time clock/system timer.</p>   |
| P3.1/XTAL1        | 7   | I/O  | <p><b>P3.1</b> — Port 3 bit 1.</p>   |
|                   |     | I    | <p><b>XTAL1</b> — Input to the oscillator circuit and internal clock generator circuits (when selected via the flash configuration). It can be a port pin if internal RC oscillator or watchdog oscillator is used as the CPU clock source, <b>and</b> if XTAL1/XTAL2 are not used to generate the clock for the Real-Time clock/system timer.</p>   |
| V <sub>SS</sub>   | 4   | I    | <p><b>Ground:</b> 0 V reference.</p>   |
| V <sub>DD</sub>   | 10  | I    | <p><b>Power Supply:</b> This is the power supply voltage for normal operation as well as Idle and Power-down modes.</p>  |

Table 6. P89LPC914 pin description

| Symbol                        | Pin | Type                                  | Description   |
|-------------------------------|-----|---------------------------------------|---|
| P0.2,<br>P0.4 to P0.6         |     | I/O                                   | <b>Port 0:</b> Port 0 is a 4-bit I/O port with a user-configurable output type. During reset Port 0 latches are configured in the input only mode with the internal pull-up disabled. The operation of Port 0 pins as inputs and outputs depends upon the port configuration selected. Each port pin is configured independently. Refer to <a href="#">Section 8.12.1 "Port configurations"</a> and <a href="#">Table 13 "Static characteristics"</a> for details.<br><br>The Keypad Interrupt feature operates with Port 0 pins.<br>All pins have Schmitt triggered inputs.<br>Port 0 also provides various special functions as described below:  |
| P0.2/CIN2A/<br>KB12           | 13  | I/O                                   | <b>P0.2</b> — Port 0 bit 2.   |
|                               |     | I                                     | <b>CIN2A</b> — Comparator 2 positive input A.   |
|                               |     | I                                     | <b>KB12</b> — Keyboard input 2.   |
| P0.4/CIN1A/<br>KB14           | 12  | I/O                                   | <b>P0.4</b> — Port 0 bit 4.   |
|                               |     | I                                     | <b>CIN1A</b> — Comparator 1 positive input A.   |
|                               |     | I                                     | <b>KB14</b> — Keyboard input 4.   |
| P0.5/CMPREF<br>/ KB15         | 11  | I/O                                   | <b>P0.5</b> — Port 0 bit 5.   |
|                               |     | I                                     | <b>CMPREF</b> — Comparator reference (negative) input.  |
|                               |     | I                                     | <b>KB15</b> — Keyboard input 5.   |
| P0.6/CMP1/<br>KB16            | 5   | I/O                                   | <b>P0.6</b> — Port 0 bit 6.   |
|                               |     | O                                     | <b>CMP1</b> — Comparator 1 output.  |
|                               |     | I                                     | <b>KB16</b> — Keyboard input 6.   |
| P1.0 to P1.2,<br>P1.5         |     | I/O<br>(P1.0 to<br>P1.2);<br>I (P1.5) | <b>Port 1:</b> Port 1 is a 4-bit I/O port with a user-configurable output type, except for three pins noted below. During reset Port 1 latches are configured in the input only mode with the internal pull-up disabled. The operation of the configurable Port 1 pins as inputs and outputs depends upon the port configuration selected. Each of the configurable port pins are programmed independently. Refer to <a href="#">Section 8.12.1 "Port configurations"</a> and <a href="#">Table 13 "Static characteristics"</a> for details. P1.2 is an open drain when used as an output. P1.5 is input only.<br><br>All pins have Schmitt triggered inputs.<br>Port 1 also provides various special functions as described below: |
| P1.0/TXD                      | 9   | I/O                                   | <b>P1.0</b> — Port 1 bit 0.   |
|                               |     | O                                     | <b>TXD</b> — Transmitter output for the serial port.  |
| P1.1/RXD                      | 6   | I/O                                   | <b>P1.1</b> — Port 1 bit 1.   |
|                               |     | I                                     | <b>RXD</b> — Receiver input for the serial port.  |
| P1.2/T0                       | 7   | I/O                                   | <b>P1.2</b> — Port 1 bit 2. (Open drain when used as an output.)  |
|                               |     | I/O                                   | <b>T0</b> — Timer/counter 0 external count input or overflow output. (Open drain when used as outputs.)   |
| P1.5/ $\overline{\text{RST}}$ | 3   | I                                     | <b>P1.5</b> — Port 1 bit 5 (input only).  |
|                               |     | I                                     | $\overline{\text{RST}}$ — External Reset input during Power-on or if selected via UCFG1. When functioning as a reset input, a LOW on this pin resets the microcontroller, causing I/O ports and peripherals to take on their default states, and the processor begins execution at address 0. Also used during a power-on sequence to force ISP mode.   |

**Table 6. P89LPC914 pin description ...continued**

| Symbol                | Pin | Type | Description  |
|-----------------------|-----|------|--|
| P2.2 to P2.5          |     | I/O  | <p><b>Port 2:</b> Port 2 is a 4-bit I/O port with a user-configurable output type. During reset Port 2 latches are configured in the input only mode with the internal pull-up disabled. The operation of Port 2 pins as inputs and outputs depends upon the port configuration selected. Each port pin is configured independently. Refer to <a href="#">Section 8.12.1 "Port configurations"</a> and <a href="#">Table 13 "Static characteristics"</a> for details.</p> <p>All pins have Schmitt triggered inputs.</p> <p>Port 2 also provides various special functions as described below:</p> |
| P2.2/MOSI             | 1   | I/O  | <b>P2.2</b> — Port 2 bit 2.  |
|                       |     | I/O  | <b>MOSI</b> — SPI master out slave in. When configured as master, this pin is output, when configured as slave, this pin is input.   |
| P2.3/MISO             | 14  | I/O  | <b>P2.3</b> — Port 2 bit 3.  |
|                       |     | I/O  | <b>MISO</b> — SPI master in slave out. When configured as master, this pin is input, when configured as slave, this pin is output.   |
| P2.4/ $\overline{SS}$ | 8   | I/O  | <b>P2.4</b> — Port 2 bit 4.  |
|                       |     | I    | $\overline{SS}$ — SPI Slave select.  |
| P2.5/SPICLK           | 2   | I/O  | <b>P2.5</b> — Port 2 bit 5.  |
|                       |     | I/O  | <b>SPICLK</b> — SPI clock. When configured as master, this pin is output, when configured as slave, this pin is input.   |
| V <sub>SS</sub>       | 4   | I    | <b>Ground:</b> 0 V reference.  |
| V <sub>DD</sub>       | 10  | I    | <b>Power Supply:</b> This is the power supply voltage for normal operation as well as Idle and Power-down modes.   |

## 8. Functional description

---

**Remark:** Please refer to the P89LPC912/913/914 *User manual* for a more detailed functional description.

### 8.1 Special function registers

**Remark:** SFR accesses are restricted in the following ways:

- User must **not** attempt to access any SFR locations not defined.
- Accesses to any defined SFR locations must be strictly for the functions for the SFRs.
- SFR bits labeled '-', '0' or '1' can **only** be written and read as follows:
  - '-' Unless otherwise specified, **must** be written with '0', but can return any value when read (even if it was written with '0'). It is a reserved bit and may be used in future derivatives.
  - '0' **must** be written with '0', and will return a '0' when read.
  - '1' **must** be written with '1', and will return a '1' when read.



**Table 7. P89LPC912 Special function registers**

\* indicates SFRs that are bit addressable.

| Name        | Description                   | SFR addr. | Bit functions and addresses |          |          |          |          |          |          |          | Reset value       |           |
|-------------|-------------------------------|-----------|-----------------------------|----------|----------|----------|----------|----------|----------|----------|-------------------|-----------|
|             |                               |           | MSB                         |          |          |          |          |          |          | LSB      | Hex               | Binary    |
| Bit address |                               |           | E7                          | E6       | E5       | E4       | E3       | E2       | E1       | E0       |                   |           |
| ACC*        | Accumulator                   | E0H       |                             |          |          |          |          |          |          |          | 00                | 0000 0000 |
| AUXR1       | Auxiliary function register   | A2H       | CLKLP                       | -        | -        | ENT0     | SRST     | 0        | -        | DPS      | 00 <sup>[1]</sup> | 0000 00x0 |
| Bit address |                               |           | F7                          | F6       | F5       | F4       | F3       | F2       | F1       | F0       |                   |           |
| B*          | B register                    | F0H       |                             |          |          |          |          |          |          |          | 00                | 0000 0000 |
| CMP1        | Comparator 1 control register | ACH       | -                           | -        | CE1      | -        | CN1      | OE1      | CO1      | CMF1     | 00 <sup>[1]</sup> | xx00 0000 |
| CMP2        | Comparator 2 control register | ADH       | -                           | -        | CE2      | -        | CN2      | -        | CO2      | CMF2     | 00 <sup>[1]</sup> | xx00 0000 |
| DIVM        | CPU clock divide-by-M control | 95H       |                             |          |          |          |          |          |          |          | 00                | 0000 0000 |
| DPTR        | Data pointer (2 bytes)        |           |                             |          |          |          |          |          |          |          |                   |           |
| DPH         | Data pointer high             | 83H       |                             |          |          |          |          |          |          |          | 00                | 0000 0000 |
| DPL         | Data pointer low              | 82H       |                             |          |          |          |          |          |          |          | 00                | 0000 0000 |
| FMADRH      | Program flash address high    | E7H       | -                           | -        | -        | -        | -        | -        |          |          | 00                | 0000 0000 |
| FMADRL      | Program flash address low     | E6H       |                             |          |          |          |          |          |          |          | 00                | 0000 0000 |
| FMCON       | Program flash control (Read)  | E4H       | BUSY                        | -        | -        | -        | HVA      | HVE      | SV       | OI       | 70                | 0111 0000 |
|             | Program flash control (Write) |           | FMCMD. 7                    | FMCMD. 6 | FMCMD. 5 | FMCMD. 4 | FMCMD. 3 | FMCMD. 2 | FMCMD. 1 | FMCMD. 0 |                   |           |
| FMDATA      | Program flash data            | E5H       |                             |          |          |          |          |          |          |          | 00                | 0000 0000 |
| Bit address |                               |           | AF                          | AE       | AD       | AC       | AB       | AA       | A9       | A8       |                   |           |
| IEN0*       | Interrupt enable 0            | A8H       | EA                          | EWDRT    | EBO      | -        | ET1      | -        | ET0      | -        | 00                | 0000 0000 |
| Bit address |                               |           | EF                          | EE       | ED       | EC       | EB       | EA       | E9       | E8       |                   |           |
| IEN1*       | Interrupt enable 1            | E8H       | -                           | -        | -        | -        | ESPI     | EC       | EKBI     | -        | 00 <sup>[1]</sup> | 00x0 0000 |
| Bit address |                               |           | BF                          | BE       | BD       | BC       | BB       | BA       | B9       | B8       |                   |           |
| IPO*        | Interrupt priority 0          | B8H       | -                           | PWDRT    | PBO      | -        | PT1      | -        | PT0      | -        | 00 <sup>[1]</sup> | x000 0000 |
| IPOH        | Interrupt priority 0 high     | B7H       | -                           | PWDRT H  | PBOH     | -        | PT1H     | -        | PT0H     | -        | 00 <sup>[1]</sup> | x000 0000 |
| Bit address |                               |           | FF                          | FE       | FD       | FC       | FB       | FA       | F9       | F8       |                   |           |
| IP1*        | Interrupt priority 1          | F8H       | -                           | -        | -        | -        | PSPI     | PC       | PKBI     | -        | 00 <sup>[1]</sup> | 00x0 0000 |
| IP1H        | Interrupt priority 1 high     | F7H       | -                           | -        | -        | -        | PSPIH    | PCH      | PKBIH    | -        | 00 <sup>[1]</sup> | 00x0 0000 |

**Table 7. P89LPC912 Special function registers ...continued**

\* indicates SFRs that are bit addressable.

| Name   | Description                    | SFR addr.          | Bit functions and addresses |              |                 |               |           |               |           |           | Reset value          |           |
|--------|--------------------------------|--------------------|-----------------------------|--------------|-----------------|---------------|-----------|---------------|-----------|-----------|----------------------|-----------|
|        |                                |                    | MSB                         |              |                 |               |           |               |           |           | LSB                  | Hex       |
| KBCON  | Keypad control register        | 94H                | -                           | -            | -               | -             | -         | -             | PATN_SEL  | KBIF      | 00 <sup>[1]</sup>    | xxxx xx00 |
| KBMASK | Keypad interrupt mask register | 86H                |                             |              |                 |               |           |               |           |           | 00                   | 0000 0000 |
| KBPATN | Keypad pattern register        | 93H                |                             |              |                 |               |           |               |           |           | FF                   | 1111 1111 |
|        |                                | <b>Bit address</b> | <b>87</b>                   | <b>86</b>    | <b>85</b>       | <b>84</b>     | <b>83</b> | <b>82</b>     | <b>81</b> | <b>80</b> |                      |           |
| P0*    | Port 0                         | 80H                |                             | CMP1/<br>KB6 | CMPREF<br>/ KB5 | CIN1A/<br>KB4 |           | CIN2A/<br>KB2 |           |           | <sup>[1]</sup>       |           |
|        |                                | <b>Bit address</b> | <b>97</b>                   | <b>96</b>    | <b>95</b>       | <b>94</b>     | <b>93</b> | <b>92</b>     | <b>91</b> | <b>90</b> |                      |           |
| P1*    | Port 1                         | 90H                |                             |              | RST             |               |           | T0            |           |           | <sup>[1]</sup>       |           |
|        |                                | <b>Bit address</b> | <b>A7</b>                   | <b>A6</b>    | <b>A5</b>       | <b>A4</b>     | <b>A3</b> | <b>A2</b>     | <b>A1</b> | <b>A0</b> |                      |           |
| P2*    | Port 2                         | A0H                |                             |              | SPICLK          | SS            | MISO      | MOSI          |           |           | <sup>[1]</sup>       |           |
|        |                                | <b>Bit address</b> | <b>B7</b>                   | <b>B6</b>    | <b>B5</b>       | <b>B4</b>     | <b>B3</b> | <b>B2</b>     | <b>B1</b> | <b>B0</b> |                      |           |
| P3*    | Port 3                         | B0H                |                             |              |                 |               |           | XTAL1         | XTAL2     |           | <sup>[1]</sup>       |           |
| P0M1   | Port 0 output mode 1           | 84H                |                             | (P0M1.6)     | (P0M1.5)        | (P0M1.4)      |           | (P0M1.2)      |           |           | FF                   | 1111 1111 |
| P0M2   | Port 0 output mode 2           | 85H                |                             | (P0M2.6)     | (P0M2.5)        | (P0M2.4)      |           | (P0M2.2)      |           |           | 00                   | 0000 0000 |
| P1M1   | Port 1 output mode 1           | 91H                |                             |              |                 |               |           | (P1M1.2)      |           |           | D3 <sup>[1]</sup>    | 11x1 xx11 |
| P1M2   | Port 1 output mode 2           | 92H                |                             |              |                 |               |           | (P1M2.2)      | -         |           | 00 <sup>[1]</sup>    | 00x0 xx00 |
| P2M1   | Port 2 output mode 1           | A4H                |                             |              | (P2M1.5)        | (P2M1.4)      | (P2M1.3)  | (P2M1.2)      |           |           | FF                   | 1111 1111 |
| P2M2   | Port 2 output mode 2           | A5H                |                             |              | (P2M2.5)        | (P2M2.4)      | (P2M2.3)  | (P2M2.2)      |           |           | 00                   | 0000 0000 |
| P3M1   | Port 3 output mode 1           | B1H                |                             |              |                 |               |           | (P3M1.1)      | (P3M1.0)  |           | 03 <sup>[1]</sup>    | xxxx xx11 |
| P3M2   | Port 3 output mode 2           | B2H                |                             |              |                 |               |           | (P3M2.1)      | (P3M2.0)  |           | 00 <sup>[1]</sup>    | xxxx xx00 |
| PCON   | Power control register         | 87H                | -                           | -            | BOPD            | BOI           | GF1       | GF0           | PMOD1     | PMOD0     | 00                   | 0000 0000 |
| PCONA  | Power control register A       | B5H                | RTCPD                       | -            | VCPD            | -             | -         | SPPD          | -         | -         | 00 <sup>[1]</sup>    | 0000 0000 |
|        |                                | <b>Bit address</b> | <b>D7</b>                   | <b>D6</b>    | <b>D5</b>       | <b>D4</b>     | <b>D3</b> | <b>D2</b>     | <b>D1</b> | <b>D0</b> |                      |           |
| PSW*   | Program status word            | D0H                | CY                          | AC           | F0              | RS1           | RS0       | OV            | F1        | P         | 00                   | 0000 0000 |
| PT0AD  | Port 0 digital input disable   | F6H                | -                           | -            | PT0AD.5         | PT0AD.4       | -         | PT0AD.2       | -         | -         | 00                   | xx00 000x |
| RSTSRC | Reset source register          | DFH                | -                           | -            | BOF             | POF           | -         | R_WD          | R_SF      | R_EX      | <sup>[2]</sup>       |           |
| RTCCON | Real-time clock control        | D1H                | RTCF                        | RTCS1        | RTCS0           | -             | -         | -             | ERTC      | RTCEN     | 60 <sup>[1][5]</sup> | 011x xx00 |
| RTCH   | Real-time clock register high  | D2H                |                             |              |                 |               |           |               |           |           | 00 <sup>[5]</sup>    | 0000 0000 |

**Table 7. P89LPC912 Special function registers ...continued**

\* indicates SFRs that are bit addressable.

| Name   | Description                       | SFR addr.          | Bit functions and addresses |           |           |           |           |           |           |           | Reset value |                               |           |
|--------|-----------------------------------|--------------------|-----------------------------|-----------|-----------|-----------|-----------|-----------|-----------|-----------|-------------|-------------------------------|-----------|
|        |                                   |                    | MSB                         |           |           |           | LSB       |           |           |           | Hex         | Binary                        |           |
| RTCL   | Real-time clock register low      | D3H                |                             |           |           |           |           |           |           |           |             | 00 <sup>[5]</sup>             | 0000 0000 |
| SP     | Stack pointer                     | 81H                |                             |           |           |           |           |           |           |           |             | 07                            | 0000 0111 |
| SPCTL  | SPI control register              | E2H                | SSIG                        | SPEN      | DORD      | MSTR      | CPOL      | CPHA      | SPR1      | SPR0      |             | 04                            | 0000 0100 |
| SPSTAT | SPI status register               | E1H                | SPIF                        | WCOL      | -         | -         | -         | -         | -         | -         |             | 00                            | 00xx xxxx |
| SPDAT  | SPI data register                 | E3H                |                             |           |           |           |           |           |           |           |             | 00                            | 0000 0000 |
| TAMOD  | Timer 0 and 1 auxiliary mode      | 8FH                | -                           | -         | -         | -         | -         | -         | -         | T0M2      |             | 00                            | xxx0 xxx0 |
|        |                                   |                    |                             |           |           |           |           |           |           |           |             |                               |           |
|        |                                   | <b>Bit address</b> | <b>8F</b>                   | <b>8E</b> | <b>8D</b> | <b>8C</b> | <b>8B</b> | <b>8A</b> | <b>89</b> | <b>88</b> |             |                               |           |
| TCON*  | Timer 0 and 1 control             | 88H                | TF1                         | TR1       | TF0       | TR0       | -         | -         | -         | -         |             | 00                            | 0000 0000 |
| TH0    | Timer 0 high                      | 8CH                |                             |           |           |           |           |           |           |           |             | 00                            | 0000 0000 |
| TH1    | Timer 1 high                      | 8DH                |                             |           |           |           |           |           |           |           |             | 00                            | 0000 0000 |
| TL0    | Timer 0 low                       | 8AH                |                             |           |           |           |           |           |           |           |             | 00                            | 0000 0000 |
| TL1    | Timer 1 low                       | 8BH                |                             |           |           |           |           |           |           |           |             | 00                            | 0000 0000 |
| TMOD   | Timer 0 and 1 mode                | 89H                | -                           | -         | T1M1      | T1M0      | T0GATE    | T0C/T     | T0M1      | T0M0      |             | 00                            | 0000 0000 |
| TRIM   | Internal oscillator trim register | 96H                | -                           | ENCLK     | TRIM.5    | TRIM.4    | TRIM.3    | TRIM.2    | TRIM.1    | TRIM.0    |             | <sup>[4]</sup> <sup>[5]</sup> |           |
| WDCON  | Watchdog control register         | A7H                | PRE2                        | PRE1      | PRE0      | -         | -         | WDRUN     | WDTOF     | WDCLK     |             | <sup>[3]</sup> <sup>[5]</sup> |           |
| WDL    | Watchdog load                     | C1H                |                             |           |           |           |           |           |           |           |             | FF                            | 1111 1111 |
| WFEED1 | Watchdog feed 1                   | C2H                |                             |           |           |           |           |           |           |           |             |                               |           |
| WFEED2 | Watchdog feed 2                   | C3H                |                             |           |           |           |           |           |           |           |             |                               |           |

[1] All ports are in input only (high impedance) state after power-up.

[2] The RSTSRC register reflects the cause of the P89LPC912 reset. Upon a power-up reset, all reset source flags are cleared except POF and BOF; the power-on reset value is xx11 0000.

[3] After reset, the value is 1110 01x1, i.e., PRE2 to PRE0 are all logic 1, WDRUN = 1 and WDCLK = 1. WDTOF bit is logic 1 after watchdog reset and is logic 0 after power-on reset. Other resets will not affect WDTOF.

[4] On power-on reset, the TRIM SFR is initialized with a factory preprogrammed value. Other resets will not cause initialization of the TRIM register.

[5] The only reset source that affects these SFRs is power-on reset.

**Table 8. P89LPC913 Special function registers**

\* indicates SFRs that are bit addressable.

| Name                 | Description                   | SFR addr. | Bit functions and addresses |             |             |              |             |             |             |             | Reset value       |           |
|----------------------|-------------------------------|-----------|-----------------------------|-------------|-------------|--------------|-------------|-------------|-------------|-------------|-------------------|-----------|
|                      |                               |           | MSB                         |             |             |              |             |             |             | LSB         | Hex               | Binary    |
| Bit address          |                               |           | E7                          | E6          | E5          | E4           | E3          | E2          | E1          | E0          |                   |           |
| ACC*                 | Accumulator                   | E0H       |                             |             |             |              |             |             |             |             | 00                | 0000 0000 |
| AUXR1                | Auxiliary function register   | A2H       | CLKLP                       | EBRR        | -           | -            | SRST        | 0           | -           | DPS         | 00 <sup>[1]</sup> | 0000 00x0 |
| Bit address          |                               |           | F7                          | F6          | F5          | F4           | F3          | F2          | F1          | F0          |                   |           |
| B*                   | B register                    | F0H       |                             |             |             |              |             |             |             |             | 00                | 0000 0000 |
| BRGR0 <sup>[2]</sup> | Baud rate generator rate low  | BEH       |                             |             |             |              |             |             |             |             | 00                | 0000 0000 |
| BRGR1 <sup>[2]</sup> | Baud rate generator rate high | BFH       |                             |             |             |              |             |             |             |             | 00                | 0000 0000 |
| BRGCON               | Baud rate generator control   | BDH       | -                           | -           | -           | -            | -           | -           | SBRGS       | BRGEN       | 00 <sup>[6]</sup> | xxxx xx00 |
| CMP1                 | Comparator 1 control register | ACH       | -                           | -           | CE1         | -            | CN1         | OE1         | CO1         | CMF1        | 00 <sup>[1]</sup> | xx00 0000 |
| CMP2                 | Comparator 2 control register | ADH       | -                           | -           | CE2         | -            | CN2         | -           | -           | CMF2        | 00 <sup>[1]</sup> | xx00 0000 |
| DIVM                 | CPU clock divide-by-M control | 95H       |                             |             |             |              |             |             |             |             | 00                | 0000 0000 |
| DPTR                 | Data pointer (2 bytes)        |           |                             |             |             |              |             |             |             |             |                   |           |
| DPH                  | Data pointer high             | 83H       |                             |             |             |              |             |             |             |             | 00                | 0000 0000 |
| DPL                  | Data pointer low              | 82H       |                             |             |             |              |             |             |             |             | 00                | 0000 0000 |
| FMADRH               | Program flash address high    | E7H       | -                           | -           | -           | -            | -           | -           | -           | -           | 00                | 0000 0000 |
| FMADRL               | Program flash address low     | E6H       |                             |             |             |              |             |             |             |             | 00                | 0000 0000 |
| FMCON                | Program flash control (Read)  | E4H       | BUSY                        | -           | -           | -            | HVA         | HVE         | SV          | OI          | 70                | 0111 0000 |
|                      | Program flash control (Write) |           | FMCMD.<br>7                 | FMCMD.<br>6 | FMCMD.<br>5 | FMCMD.<br>4  | FMCMD.<br>3 | FMCMD.<br>2 | FMCMD.<br>1 | FMCMD.<br>0 |                   |           |
| FMDATA               | Program flash data            | E5H       |                             |             |             |              |             |             |             |             | 00                | 0000 0000 |
| Bit address          |                               |           | AF                          | AE          | AD          | AC           | AB          | AA          | A9          | A8          |                   |           |
| IEN0*                | Interrupt enable 0            | A8H       | EA                          | EWDRT       | EBO         | ES/ESR       | ET1         | -           | ET0         | -           | 00                | 0000 0000 |
| Bit address          |                               |           | EF                          | EE          | ED          | EC           | EB          | EA          | E9          | E8          |                   |           |
| IEN1*                | Interrupt enable 1            | E8H       | -                           | EST         | -           | -            | ESPI        | EC          | EKBI        | -           | 00 <sup>[1]</sup> | 00x0 0000 |
| Bit address          |                               |           | BF                          | BE          | BD          | BC           | BB          | BA          | B9          | B8          |                   |           |
| IPO*                 | Interrupt priority 0          | B8H       | -                           | PWDRT       | PBO         | PS/PSR       | PT1         | -           | PT0         | -           | 00 <sup>[1]</sup> | x000 0000 |
| IPOH                 | Interrupt priority 0 high     | B7H       | -                           | PWDRT<br>H  | PBOH        | PSH/<br>PSRH | PT1H        | -           | PT0H        | -           | 00 <sup>[1]</sup> | x000 0000 |

**Table 8. P89LPC913 Special function registers ...continued**

\* indicates SFRs that are bit addressable.

| Name   | Description                    | SFR addr. | Bit functions and addresses |              |                 |               |           |               |           |           | Reset value |           |
|--------|--------------------------------|-----------|-----------------------------|--------------|-----------------|---------------|-----------|---------------|-----------|-----------|-------------|-----------|
|        |                                |           | MSB                         |              |                 |               |           |               |           |           | LSB         |           |
|        | Bit address                    |           | FF                          | FE           | FD              | FC            | FB        | FA            | F9        | F8        |             |           |
| IP1*   | Interrupt priority 1           | F8H       | -                           | PST          | -               | -             | PSPI      | PC            | PKBI      | -         | 00[1]       | 00x0 0000 |
| IP1H   | Interrupt priority 1 high      | F7H       | -                           | PSTH         | -               | -             | PSPIH     | PCH           | PKBIH     | -         | 00[1]       | 00x0 0000 |
| KBCON  | Keypad control register        | 94H       | -                           | -            | -               | -             | -         | -             | PATN_SEL  | KBIF      | 00[1]       | xxxx xx00 |
| KBMASK | Keypad interrupt mask register | 86H       |                             |              |                 |               |           |               |           |           | 00          | 0000 0000 |
| KBPATN | Keypad pattern register        | 93H       |                             |              |                 |               |           |               |           |           | FF          | 1111 1111 |
|        | Bit address                    |           | <b>87</b>                   | <b>86</b>    | <b>85</b>       | <b>84</b>     | <b>83</b> | <b>82</b>     | <b>81</b> | <b>80</b> |             |           |
| P0*    | Port 0                         | 80H       |                             | CMP1/<br>KB6 | CMPREF<br>/ KB5 | CIN1A/<br>KB4 |           | CIN2A/<br>KB2 |           |           | [1]         |           |
|        | Bit address                    |           | <b>97</b>                   | <b>96</b>    | <b>95</b>       | <b>94</b>     | <b>93</b> | <b>92</b>     | <b>91</b> | <b>90</b> |             |           |
| P1*    | Port 1                         | 90H       |                             |              | RST             |               |           |               | RXD       | TXD       | [1]         |           |
|        | Bit address                    |           | <b>A7</b>                   | <b>A6</b>    | <b>A5</b>       | <b>A4</b>     | <b>A3</b> | <b>A2</b>     | <b>A1</b> | <b>A0</b> |             |           |
| P2*    | Port 2                         | A0H       |                             |              | SPICLK          |               | MISO      | MOSI          |           |           | [1]         |           |
|        | Bit address                    |           | <b>B7</b>                   | <b>B6</b>    | <b>B5</b>       | <b>B4</b>     | <b>B3</b> | <b>B2</b>     | <b>B1</b> | <b>B0</b> |             |           |
| P3*    | Port 3                         | B0H       |                             |              |                 |               |           |               | XTAL1     | XTAL2     | [1]         |           |
| P0M1   | Port 0 output mode 1           | 84H       |                             | (P0M1.6)     | (P0M1.5)        | (P0M1.4)      |           | (P0M1.2)      |           |           | FF          | 1111 1111 |
| P0M2   | Port 0 output mode 2           | 85H       |                             | (P0M2.6)     | (P0M2.5)        | (P0M2.4)      |           | (P0M2.2)      |           |           | 00          | 0000 0000 |
| P1M1   | Port 1 output mode 1           | 91H       |                             |              |                 |               |           |               | (P1M1.1)  | (P1M1.0)  | D3[1]       | 11x1 xx11 |
| P1M2   | Port 1 output mode 2           | 92H       |                             |              |                 |               |           |               | (P1M2.1)  | (P1M2.0)  | 00[1]       | 00x0 xx00 |
| P2M1   | Port 2 output mode 1           | A4H       |                             |              | (P2M1.5)        |               | (P2M1.3)  | (P2M1.2)      |           |           | FF          | 1111 1111 |
| P2M2   | Port 2 output mode 2           | A5H       |                             |              | (P2M2.5)        |               | (P2M2.3)  | (P2M2.2)      |           |           | 00          | 0000 0000 |
| P3M1   | Port 3 output mode 1           | B1H       |                             |              |                 |               |           |               | (P3M1.1)  | (P3M1.0)  | 03[1]       | xxxx xx11 |
| P3M2   | Port 3 output mode 2           | B2H       |                             |              |                 |               |           |               | (P3M2.1)  | (P3M2.0)  | 00[1]       | xxxx xx00 |
| PCON   | Power control register         | 87H       | SMOD1                       | SMOD0        | BOPD            | BOI           | GF1       | GF0           | PMOD1     | PMOD0     | 00          | 0000 0000 |
| PCONA  | Power control register A       | B5H       | RTCPD                       | -            | VCPD            | -             | -         | SPPD          | SPD       | -         | 00[1]       | 0000 0000 |

**Table 8. P89LPC913 Special function registers ...continued**  
 \* indicates SFRs that are bit addressable.

| Name        | Description                          | SFR addr. | Bit functions and addresses |       |         |         |        |         |        |        | Reset value |           |
|-------------|--------------------------------------|-----------|-----------------------------|-------|---------|---------|--------|---------|--------|--------|-------------|-----------|
|             |                                      |           | MSB                         |       |         |         |        |         |        | LSB    | Hex         | Binary    |
| Bit address |                                      |           | D7                          | D6    | D5      | D4      | D3     | D2      | D1     | D0     |             |           |
| PSW*        | Program status word                  | D0H       | CY                          | AC    | F0      | RS1     | RS0    | OV      | F1     | P      | 00          | 0000 0000 |
| PT0AD       | Port 0 digital input disable         | F6H       | -                           | -     | PT0AD.5 | PT0AD.4 | -      | PT0AD.2 | -      | -      | 00          | xx00 000x |
| RSTSRC      | Reset source register                | DFH       | -                           | -     | BOF     | POF     | R_BK   | R_WD    | R_SF   | R_EX   | [3]         |           |
| RTCCON      | Real-time clock control              | D1H       | RTCF                        | RTCS1 | RTCS0   | -       | -      | -       | ERTC   | RTCEN  | 60 [1] [6]  | 011x xx00 |
| RTCH        | Real-time clock register high        | D2H       |                             |       |         |         |        |         |        |        | 00 [6]      | 0000 0000 |
| RTCL        | Real-time clock register low         | D3H       |                             |       |         |         |        |         |        |        | 00 [6]      | 0000 0000 |
| SADDR       | Serial port address register         | A9H       |                             |       |         |         |        |         |        |        | 00          | 0000 0000 |
| SADEN       | Serial port address enable           | B9H       |                             |       |         |         |        |         |        |        | 00          | 0000 0000 |
| SBUF        | Serial port data buffer register     | 99H       |                             |       |         |         |        |         |        |        | xx          | xxxx xxxx |
| Bit address |                                      |           | 9F                          | 9E    | 9D      | 9C      | 9B     | 9A      | 99     | 98     |             |           |
| SCON        | Serial port control                  | 98H       | SM0/FE                      | SM1   | SM2     | REN     | TB8    | RB8     | TI     | RI     | 00          | 0000 0000 |
| SSTAT       | Serial port extended status register | BAH       | DBMOD                       | INTLO | CIDIS   | DBISEL  | FE     | BR      | OE     | STINT  | 00          | 0000 0000 |
| SP          | Stack pointer                        | 81H       |                             |       |         |         |        |         |        |        | 07          | 0000 0111 |
| SPCTL       | SPI control register                 | E2H       | SSIG                        | SPEN  | DORD    | MSTR    | CPOL   | CPHA    | SPR1   | SPR0   | 04          | 0000 0100 |
| SPSTAT      | SPI status register                  | E1H       | SPIF                        | WCOL  | -       | -       | -      | -       | -      | -      | 00          | 00xx xxxx |
| SPDAT       | SPI data register                    | E3H       |                             |       |         |         |        |         |        |        | 00          | 0000 0000 |
| Bit address |                                      |           | 8F                          | 8E    | 8D      | 8C      | 8B     | 8A      | 89     | 88     |             |           |
| TCON*       | Timer 0 and 1 control                | 88H       | TF1                         | TR1   | TF0     | TR0     | -      | -       | -      | -      | 00          | 0000 0000 |
| TH0         | Timer 0 high                         | 8CH       |                             |       |         |         |        |         |        |        | 00          | 0000 0000 |
| TH1         | Timer 1 high                         | 8DH       |                             |       |         |         |        |         |        |        | 00          | 0000 0000 |
| TL0         | Timer 0 low                          | 8AH       |                             |       |         |         |        |         |        |        | 00          | 0000 0000 |
| TL1         | Timer 1 low                          | 8BH       |                             |       |         |         |        |         |        |        | 00          | 0000 0000 |
| TMOD        | Timer 0 and 1 mode                   | 89H       | -                           | -     | T1M1    | T1M0    | T0GATE | T0C/T   | T0M1   | T0M0   | 00          | 0000 0000 |
| TRIM        | Internal oscillator trim register    | 96H       | -                           | ENCLK | TRIM.5  | TRIM.4  | TRIM.3 | TRIM.2  | TRIM.1 | TRIM.0 | [5] [6]     |           |
| WDCON       | Watchdog control register            | A7H       | PRE2                        | PRE1  | PRE0    | -       | -      | WDRUN   | WDTOF  | WDCLK  | [4] [6]     |           |

**Table 8. P89LPC913 Special function registers ...continued**

\* indicates SFRs that are bit addressable.

| Name   | Description     | SFR addr. | Bit functions and addresses |     | Reset value |           |
|--------|-----------------|-----------|-----------------------------|-----|-------------|-----------|
|        |                 |           | MSB                         | LSB | Hex         | Binary    |
| WDL    | Watchdog load   | C1H       |                             |     | FF          | 1111 1111 |
| WFEED1 | Watchdog feed 1 | C2H       |                             |     |             |           |
| WFEED2 | Watchdog feed 2 | C3H       |                             |     |             |           |

- [1] All ports are in input only (high impedance) state after power-up.
- [2] BRGR1 and BRGR0 must only be written if BRGEN in BRGCON SFR is logic 0. If any of them is written if BRGEN = 1, result is unpredictable.
- [3] The RSTSRC register reflects the cause of the P89LPC912 reset. Upon a power-up reset, all reset source flags are cleared except POF and BOF; the power-on reset value is xx11 0000.
- [4] After reset, the value is 1110 01x1, i.e., PRE2 to PRE0 are all logic 1, WDRUN = 1 and WDCLK = 1. WDTOF bit is logic 1 after watchdog reset and is logic 0 after power-on reset. Other resets will not affect WDTOF.
- [5] On power-on reset, the TRIM SFR is initialized with a factory preprogrammed value. Other resets will not cause initialization of the TRIM register.
- [6] The only reset source that affects these SFRs is power-on reset.

**Table 9. P89LPC914 Special function registers**

\* indicates SFRs that are bit addressable.

| Name                 | Description                   | SFR addr. | Bit functions and addresses |          |          |          |          |          |          |          | Reset value       |           |
|----------------------|-------------------------------|-----------|-----------------------------|----------|----------|----------|----------|----------|----------|----------|-------------------|-----------|
|                      |                               |           | MSB                         |          |          |          |          |          |          | LSB      | Hex               | Binary    |
| Bit address          |                               |           | E7                          | E6       | E5       | E4       | E3       | E2       | E1       | E0       |                   |           |
| ACC*                 | Accumulator                   | E0H       |                             |          |          |          |          |          |          |          | 00                | 0000 0000 |
| AUXR1                | Auxiliary function register   | A2H       | -                           | EBRR     | -        | ENT0     | SRST     | 0        | -        | DPS      | 00 <sup>[1]</sup> | 0000 00x0 |
| Bit address          |                               |           | F7                          | F6       | F5       | F4       | F3       | F2       | F1       | F0       |                   |           |
| B*                   | B register                    | F0H       |                             |          |          |          |          |          |          |          | 00                | 0000 0000 |
| BRGR0 <sup>[2]</sup> | Baud rate generator rate low  | BEH       |                             |          |          |          |          |          |          |          | 00                | 0000 0000 |
| BRGR1 <sup>[2]</sup> | Baud rate generator rate high | BFH       |                             |          |          |          |          |          |          |          | 00                | 0000 0000 |
| BRGCON               | Baud rate generator control   | BDH       | -                           | -        | -        | -        | -        | -        | SBRGS    | BRGEN    | 00 <sup>[6]</sup> | xxxx xx00 |
| CMP1                 | Comparator 1 control register | ACH       | -                           | -        | CE1      | -        | CN1      | OE1      | CO1      | CMF1     | 00 <sup>[1]</sup> | xx00 0000 |
| CMP2                 | Comparator 2 control register | ADH       | -                           | -        | CE2      | -        | CN2      | -        | CO2      | CMF2     | 00 <sup>[1]</sup> | xx00 0000 |
| DIVM                 | CPU clock divide-by-M control | 95H       |                             |          |          |          |          |          |          |          | 00                | 0000 0000 |
| DPTR                 | Data pointer (2 bytes)        |           |                             |          |          |          |          |          |          |          |                   |           |
| DPH                  | Data pointer high             | 83H       |                             |          |          |          |          |          |          |          | 00                | 0000 0000 |
| DPL                  | Data pointer low              | 82H       |                             |          |          |          |          |          |          |          | 00                | 0000 0000 |
| FMADRH               | Program flash address high    | E7H       | -                           | -        | -        | -        | -        | -        | -        | -        | 00                | 0000 0000 |
| FMADRL               | Program flash address low     | E6H       |                             |          |          |          |          |          |          |          | 00                | 0000 0000 |
| FMCON                | Program flash control (Read)  | E4H       | BUSY                        | -        | -        | -        | HVA      | HVE      | SV       | OI       | 70                | 0111 0000 |
|                      | Program flash control (Write) |           | FMCMD. 7                    | FMCMD. 6 | FMCMD. 5 | FMCMD. 4 | FMCMD. 3 | FMCMD. 2 | FMCMD. 1 | FMCMD. 0 |                   |           |
| FMDATA               | Program flash data            | E5H       |                             |          |          |          |          |          |          |          | 00                | 0000 0000 |
| Bit address          |                               |           | AF                          | AE       | AD       | AC       | AB       | AA       | A9       | A8       |                   |           |
| IEN0*                | Interrupt enable 0            | A8H       | EA                          | EWDRT    | EBO      | ES/ESR   | ET1      | -        | ET0      | -        | 00                | 0000 0000 |
| Bit address          |                               |           | EF                          | EE       | ED       | EC       | EB       | EA       | E9       | E8       |                   |           |
| IEN1*                | Interrupt enable 1            | E8H       | -                           | EST      | -        | -        | ESPI     | EC       | EKBI     | -        | 00 <sup>[1]</sup> | 00x0 0000 |



**Table 9. P89LPC914 Special function registers ...continued**

\* indicates SFRs that are bit addressable.

| Name   | Description                    | SFR addr.          | Bit functions and addresses |              |                  |                 |           |               |              |           | Reset value       |           |
|--------|--------------------------------|--------------------|-----------------------------|--------------|------------------|-----------------|-----------|---------------|--------------|-----------|-------------------|-----------|
|        |                                |                    | MSB                         |              |                  |                 |           |               |              |           | LSB               |           |
|        |                                | <b>Bit address</b> | <b>BF</b>                   | <b>BE</b>    | <b>BD</b>        | <b>BC</b>       | <b>BB</b> | <b>BA</b>     | <b>B9</b>    | <b>B8</b> |                   |           |
| IP0*   | Interrupt priority 0           | B8H                | -                           | PWDRT        | PBO              | PS/PSR          | PT1       | -             | PT0          | -         | 00 <sup>[1]</sup> | x000 0000 |
| IP0H   | Interrupt priority 0 high      | B7H                | -                           | PWDRT<br>H   | PBOH             | PSH/<br>PSRH    | PT1H      | -             | PT0H         | -         | 00 <sup>[1]</sup> | x000 0000 |
|        |                                | <b>Bit address</b> | <b>FF</b>                   | <b>FE</b>    | <b>FD</b>        | <b>FC</b>       | <b>FB</b> | <b>FA</b>     | <b>F9</b>    | <b>F8</b> |                   |           |
| IP1*   | Interrupt priority 1           | F8H                | -                           | PST          | -                | -               | PSPI      | PC            | PKBI         | -         | 00 <sup>[1]</sup> | 00x0 0000 |
| IP1H   | Interrupt priority 1 high      | F7H                | -                           | PSTH         | -                | -               | PSPIH     | PCH           | PKBIH        | -         | 00 <sup>[1]</sup> | 00x0 0000 |
| KBCON  | Keypad control register        | 94H                | -                           | -            | -                | -               | -         | -             | PATN_S<br>EL | KBIF      | 00 <sup>[1]</sup> | xxxx xx00 |
| KBMASK | Keypad interrupt mask register | 86H                |                             |              |                  |                 |           |               |              |           | 00                | 0000 0000 |
| KBPATN | Keypad pattern register        | 93H                |                             |              |                  |                 |           |               |              |           | FF                | 1111 1111 |
|        |                                | <b>Bit address</b> | <b>87</b>                   | <b>86</b>    | <b>85</b>        | <b>84</b>       | <b>83</b> | <b>82</b>     | <b>81</b>    | <b>80</b> |                   |           |
| P0*    | Port 0                         | 80H                |                             | CMP1/<br>KB6 | CMPREF<br>/ KB5  | CIN1A/<br>KB4   |           | CIN2A/<br>KB2 |              |           | <sup>[1]</sup>    |           |
|        |                                | <b>Bit address</b> | <b>97</b>                   | <b>96</b>    | <b>95</b>        | <b>94</b>       | <b>93</b> | <b>92</b>     | <b>91</b>    | <b>90</b> |                   |           |
| P1*    | Port 1                         | 90H                |                             |              | $\overline{RST}$ |                 |           | T0            | RXD          | TXD       | <sup>[1]</sup>    |           |
|        |                                | <b>Bit address</b> | <b>A7</b>                   | <b>A6</b>    | <b>A5</b>        | <b>A4</b>       | <b>A3</b> | <b>A2</b>     | <b>A1</b>    | <b>A0</b> |                   |           |
| P2*    | Port 2                         | A0H                |                             |              | SPICLK           | $\overline{SS}$ | MISO      | MOSI          |              |           | <sup>[1]</sup>    |           |
| P0M1   | Port 0 output mode 1           | 84H                |                             | (P0M1.6)     | (P0M1.5)         | (P0M1.4)        |           | (P0M1.2)      |              |           | FF                | 1111 1111 |
| P0M2   | Port 0 output mode 2           | 85H                |                             | (P0M2.6)     | (P0M2.5)         | (P0M2.4)        |           | (P0M2.2)      |              |           | 00                | 0000 0000 |
| P1M1   | Port 1 output mode 1           | 91H                |                             |              |                  |                 |           | (P1M1.2)      | (P1M1.1)     | (P1M1.0)  | D3 <sup>[1]</sup> | 11x1 xx11 |
| P1M2   | Port 1 output mode 2           | 92H                |                             |              |                  |                 |           | (P1M2.2)      | (P1M2.1)     | (P1M2.0)  | 00 <sup>[1]</sup> | 00x0 xx00 |
| P2M1   | Port 2 output mode 1           | A4H                |                             |              | (P2M1.5)         | (P2M1.4)        | (P2M1.3)  | (P2M1.2)      |              |           | FF                | 1111 1111 |
| P2M2   | Port 2 output mode 2           | A5H                |                             |              | (P2M2.5)         | (P2M2.4)        | (P2M2.3)  | (P2M2.2)      |              |           | 00                | 0000 0000 |
| PCON   | Power control register         | 87H                | SMOD1                       | SMOD0        | BOPD             | BOI             | GF1       | GF0           | PMOD1        | PMOD0     | 00                | 0000 0000 |
| PCONA  | Power control register A       | B5H                | RTCPD                       | -            | VCPD             | -               | -         | SPPD          | SPD          | -         | 00 <sup>[1]</sup> | 0000 0000 |

**Table 9. P89LPC914 Special function registers ...continued**

\* indicates SFRs that are bit addressable.

| Name        | Description                          | SFR addr. | Bit functions and addresses |       |         |         |        |         |        |        | Reset value |           |
|-------------|--------------------------------------|-----------|-----------------------------|-------|---------|---------|--------|---------|--------|--------|-------------|-----------|
|             |                                      |           | MSB                         |       |         |         |        |         |        | LSB    | Hex         | Binary    |
| Bit address |                                      |           | D7                          | D6    | D5      | D4      | D3     | D2      | D1     | D0     |             |           |
| PSW*        | Program status word                  | D0H       | CY                          | AC    | F0      | RS1     | RS0    | OV      | F1     | P      | 00          | 0000 0000 |
| PT0AD       | Port 0 digital input disable         | F6H       | -                           | -     | PT0AD.5 | PT0AD.4 | -      | PT0AD.2 | -      | -      | 00          | xx00 000x |
| RSTSRC      | Reset source register                | DFH       | -                           | -     | BOF     | POF     | R_BK   | R_WD    | R_SF   | R_EX   | [3]         |           |
| RTCCON      | Real-time clock control              | D1H       | RTCF                        | RTCS1 | RTCS0   | -       | -      | -       | ERTC   | RTCEN  | 60 [1] [6]  | 011x xx00 |
| RTCH        | Real-time clock register high        | D2H       |                             |       |         |         |        |         |        |        | 00 [6]      | 0000 0000 |
| RTCL        | Real-time clock register low         | D3H       |                             |       |         |         |        |         |        |        | 00 [6]      | 0000 0000 |
| SADDR       | Serial port address register         | A9H       |                             |       |         |         |        |         |        |        | 00          | 0000 0000 |
| SADEN       | Serial port address enable           | B9H       |                             |       |         |         |        |         |        |        | 00          | 0000 0000 |
| SBUF        | Serial port data buffer register     | 99H       |                             |       |         |         |        |         |        |        | xx          | xxxx xxxx |
| Bit address |                                      |           | 9F                          | 9E    | 9D      | 9C      | 9B     | 9A      | 99     | 98     |             |           |
| SCON        | Serial port control                  | 98H       | SM0/FE                      | SM1   | SM2     | REN     | TB8    | RB8     | TI     | RI     | 00          | 0000 0000 |
| SSTAT       | Serial port extended status register | BAH       | DBMOD                       | INTLO | CIDIS   | DBISEL  | FE     | BR      | OE     | STINT  | 00          | 0000 0000 |
| SP          | Stack pointer                        | 81H       |                             |       |         |         |        |         |        |        | 07          | 0000 0111 |
| SPCTL       | SPI control register                 | E2H       | SSIG                        | SPEN  | DORD    | MSTR    | CPOL   | CPHA    | SPR1   | SPR0   | 04          | 0000 0100 |
| SPSTAT      | SPI status register                  | E1H       | SPIF                        | WCOL  | -       | -       | -      | -       | -      | -      | 00          | 00xx xxxx |
| SPDAT       | SPI data register                    | E3H       |                             |       |         |         |        |         |        |        | 00          | 0000 0000 |
| TAMOD       | Timer 0 and 1 auxiliary mode         | 8FH       | -                           | -     | -       | -       | -      | -       | -      | T0M2   | 00          | xxx0 xxx0 |
| Bit address |                                      |           | 8F                          | 8E    | 8D      | 8C      | 8B     | 8A      | 89     | 88     |             |           |
| TCON*       | Timer 0 and 1 control                | 88H       | TF1                         | TR1   | TF0     | TR0     | -      | -       | -      | -      | 00          | 0000 0000 |
| TH0         | Timer 0 high                         | 8CH       |                             |       |         |         |        |         |        |        | 00          | 0000 0000 |
| TH1         | Timer 1 high                         | 8DH       |                             |       |         |         |        |         |        |        | 00          | 0000 0000 |
| TL0         | Timer 0 low                          | 8AH       |                             |       |         |         |        |         |        |        | 00          | 0000 0000 |
| TL1         | Timer 1 low                          | 8BH       |                             |       |         |         |        |         |        |        | 00          | 0000 0000 |
| TMOD        | Timer 0 and 1 mode                   | 89H       | -                           | -     | T1M1    | T1M0    | T0GATE | T0C/T   | T0M1   | T0M0   | 00          | 0000 0000 |
| TRIM        | Internal oscillator trim register    | 96H       | -                           | -     | TRIM.5  | TRIM.4  | TRIM.3 | TRIM.2  | TRIM.1 | TRIM.0 | [5] [6]     |           |
| WDCON       | Watchdog control register            | A7H       | PRE2                        | PRE1  | PRE0    | -       | -      | WDRUN   | WDTOF  | WDCLK  | [4] [6]     |           |

**Table 9. P89LPC914 Special function registers ...continued**

\* indicates SFRs that are bit addressable.

| Name   | Description     | SFR addr. | Bit functions and addresses |     | Reset value |           |
|--------|-----------------|-----------|-----------------------------|-----|-------------|-----------|
|        |                 |           | MSB                         | LSB | Hex         | Binary    |
| WDL    | Watchdog load   | C1H       |                             |     | FF          | 1111 1111 |
| WFEED1 | Watchdog feed 1 | C2H       |                             |     |             |           |
| WFEED2 | Watchdog feed 2 | C3H       |                             |     |             |           |

- [1] All ports are in input only (high impedance) state after power-up.
- [2] BRGR1 and BRGR0 must only be written if BRGEN in BRGCON SFR is logic 0. If any of them is written if BRGEN = 1, result is unpredictable.
- [3] The RSTSRC register reflects the cause of the P89LPC912 reset. Upon a power-up reset, all reset source flags are cleared except POF and BOF; the power-on reset value is xx11 0000.
- [4] After reset, the value is 1110 01x1, i.e., PRE2 to PRE0 are all logic 1, WDRUN = 1 and WDCLK = 1. WDTOF bit is logic 1 after watchdog reset and is logic 0 after power-on reset. Other resets will not affect WDTOF.
- [5] On power-on reset, the TRIM SFR is initialized with a factory preprogrammed value. Other resets will not cause initialization of the TRIM register.
- [6] The only reset source that affects these SFRs is power-on reset.

## 8.2 Enhanced CPU

The P89LPC912/913/914 uses an enhanced 80C51 CPU which runs at six times the speed of standard 80C51 devices. A machine cycle consists of two CPU clock cycles, and most instructions execute in one or two machine cycles.

## 8.3 Clocks

### 8.3.1 Clock definitions

The P89LPC912/913/914 device has several internal clocks as defined below:

**OSCCLK** — Input to the DIVM clock divider. OSCCLK is selected from one of four clock sources (see [Figure 10](#), [11](#), and [12](#)) and can also be optionally divided to a slower frequency (see [Section 8.8 “CCLK modification: DIVM register”](#)).

**Note:**  $f_{osc}$  is defined as the OSCCLK frequency.

**CCLK** — CPU clock; output of the clock divider. There are two CCLK cycles per machine cycle, and most instructions are executed in one to two machine cycles (two or four CCLK cycles).

**RCCLK** — The internal 7.373 MHz RC oscillator output.

**PCLK** — Clock for the various peripheral devices and is CCLK/2

### 8.3.2 CPU clock (OSCCLK)

The P89LPC912/913/914 provide user-selectable oscillator options in generating the CPU clock. This allows optimization for a range of needs from high precision to lowest possible cost. These options are configured when the flash is programmed and include an on-chip watchdog oscillator and an on-chip RC oscillator.

In addition, both the P89LPC912 and P89LPC913 provide an oscillator using an external crystal or an external clock source. The crystal oscillator can be optimized for low, medium, or high frequency crystals covering a range from 20 kHz to 12 MHz.

### 8.3.3 Low-speed oscillator option (P89LPC912, P89LPC913)

This option supports an external crystal in the range of 20 kHz to 100 kHz. Ceramic resonators are also supported in this configuration.

### 8.3.4 Medium-speed oscillator option (P89LPC912, P89LPC913)

This option supports an external crystal in the range of 100 kHz to 4 MHz. Ceramic resonators are also supported in this configuration.

### 8.3.5 High-speed oscillator option (P89LPC912, P89LPC913)

This option supports an external crystal in the range of 4 MHz to 18 MHz. Ceramic resonators are also supported in this configuration. **When using an oscillator frequency above 12 MHz, the reset input function of P1.5 must be enabled. An external circuit is required to hold the device in reset at power-up until  $V_{DD}$  has reached its specified level. When system power is removed  $V_{DD}$  will fall below the minimum specified operating voltage. When using an oscillator frequency above 12 MHz, in some applications, an external brownout detect circuit may be required to hold the device in reset when  $V_{DD}$  falls below the minimum specified operating voltage.**

### 8.3.6 Clock output (P89LPC912, P89LPC913)

The P89LPC912 supports a user selectable clock output function on the XTAL2/CLKOUT pin when crystal oscillator is not being used. This condition occurs if another clock source has been selected (on-chip RC oscillator, watchdog oscillator, external clock input on X1) and if the Real-Time clock is not using the crystal oscillator as its clock source. This allows external devices to synchronize to the P89LPC912. This output is enabled by the ENCLK bit in the TRIM register. The frequency of this clock output is  $\frac{1}{2}$  that of the CCLK. If the clock output is not needed in Idle mode, it may be turned off prior to entering Idle, saving additional power.

### 8.4 On-chip RC oscillator option

The P89LPC912/913/914 has a 6-bit TRIM register that can be used to tune the frequency of the RC oscillator. During reset, the TRIM value is initialized to a factory preprogrammed value to adjust the oscillator frequency to 7.373 MHz,  $\pm 1\%$  at room temperature. End-user applications can write to the TRIM register to adjust the on-chip RC oscillator to other frequencies.

### 8.5 Watchdog oscillator option

The watchdog has a separate oscillator which has a frequency of 400 kHz. This oscillator can be used to save power when a high clock frequency is not needed.

### 8.6 External clock input option (P89LPC912, P89LPC913)

In this configuration, the processor clock is derived from an external source driving the XTAL1/P3.1 pin. The rate may be from 0 Hz up to 12 MHz. The XTAL2/P3.0 pin may be used as a standard port pin or a clock output. **When using an oscillator frequency above 12 MHz, the reset input function of P1.5 must be enabled. An external circuit is required to hold the device in reset at power-up until  $V_{DD}$  has reached its specified level. When system power is removed,  $V_{DD}$  will fall below the minimum specified operating voltage. When using an oscillator frequency above 12 MHz, in some applications, an external brownout detect circuit may be required to hold the device in reset when  $V_{DD}$  falls below the minimum specified operating voltage.**

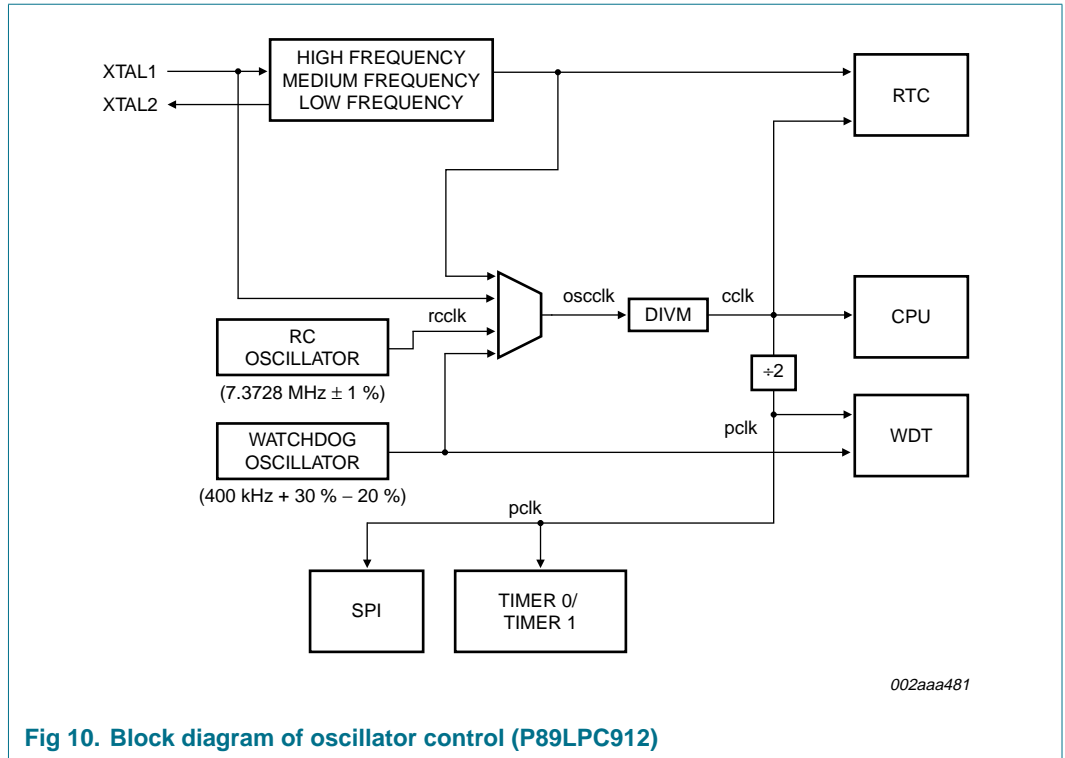


Fig 10. Block diagram of oscillator control (P89LPC912)

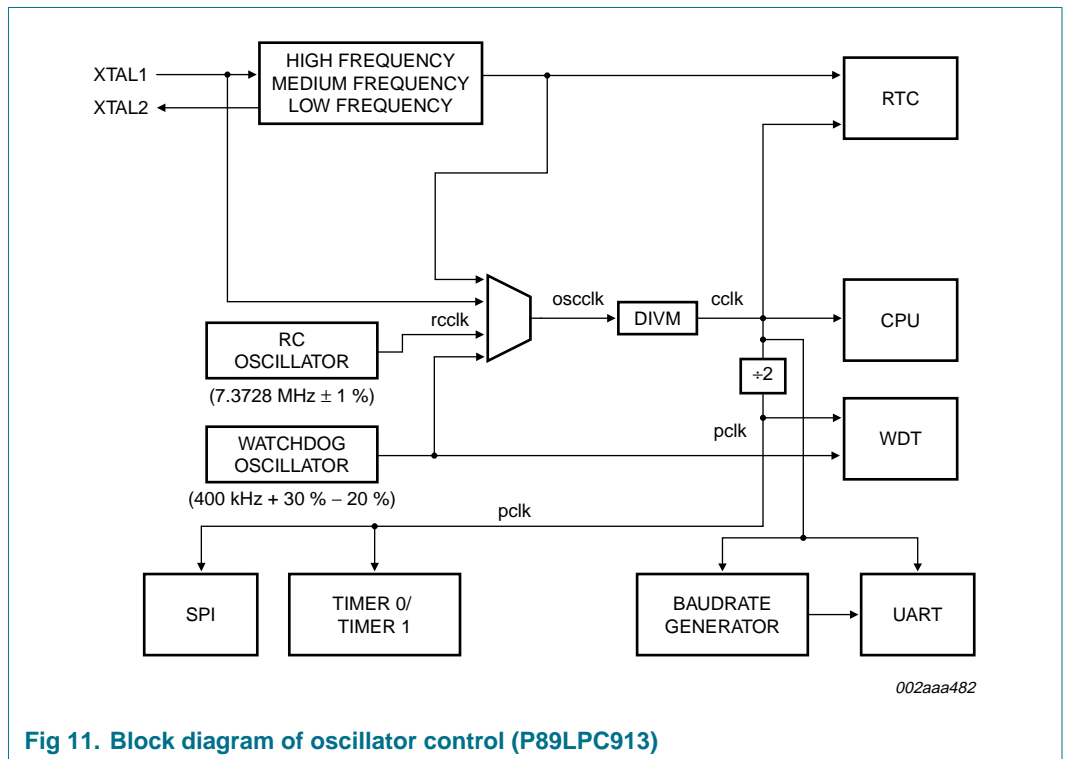
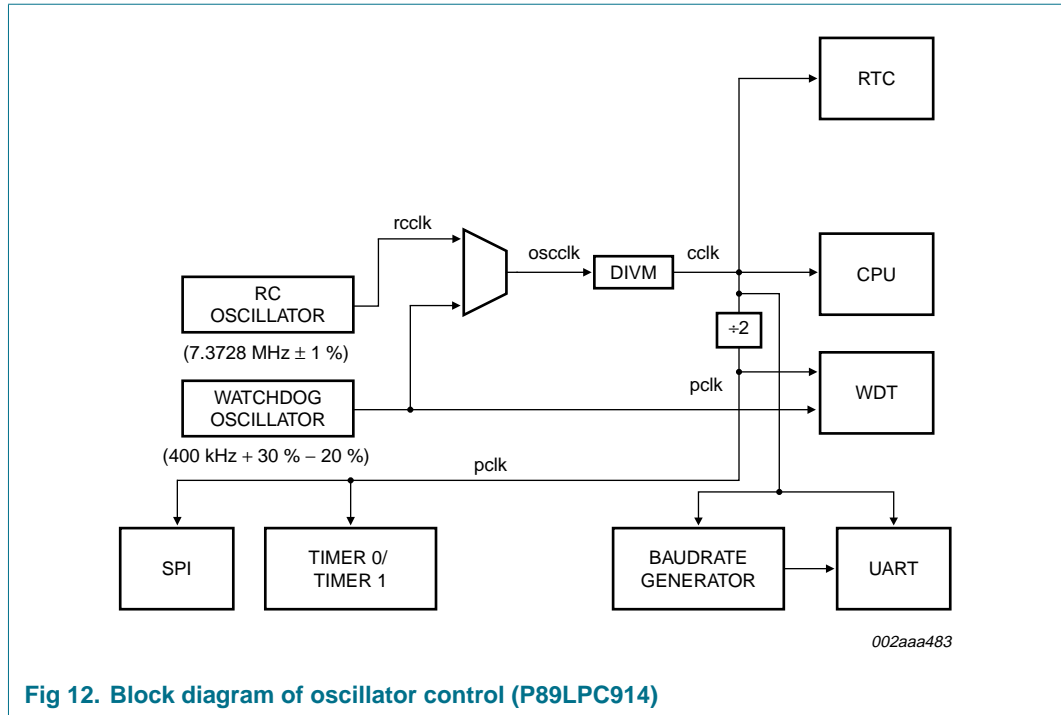


Fig 11. Block diagram of oscillator control (P89LPC913)



**Fig 12. Block diagram of oscillator control (P89LPC914)**

**8.7 CCLK wake-up delay**

The P89LPC912/913/914 has an internal wake-up timer that delays the clock until it stabilizes depending on the clock source used. If the clock source is any of the three crystal selections (P89LPC912, P89LPC913) the delay is 992 OSCCLK cycles plus 60 μs to 100 μs. If the clock source is either the internal RC oscillator, watchdog oscillator, or external clock, the delay is 224 OSCCLK cycles plus 60 μs to 100 μs.

**8.8 CCLK modification: DIVM register**

The OSCCLK frequency can be divided down up to 510 times by configuring a dividing register, DIVM, to generate CCLK. This feature makes it possible to temporarily run the CPU at a lower rate, reducing power consumption. By dividing the clock, the CPU can retain the ability to respond to events that would not exit Idle mode by executing its normal program at a lower rate. This can also allow bypassing the oscillator start-up time in cases where Power-down mode would otherwise be used. The value of DIVM may be changed by the program at any time without interrupting code execution.

**8.9 Low power select**

The P89LPC912 and P89LPC913 are designed to run at 18 MHz (CCLK) maximum. However, if CCLK is 8 MHz or slower, the CLKLP SFR bit (AUXR1.7) can be set to logic 1 to lower the power consumption further. On any reset, CLKLP is logic 0 allowing highest performance access. This bit can then be set in software if CCLK is running at 8 MHz or slower.

**8.10 Memory organization**

The various P89LPC912/913/914 memory spaces are as follows:

- DATA  
128 B of internal data memory space (00H:7FH) accessed via direct or indirect addressing, using instructions other than MOVX and MOVC. All or part of the Stack may be in this area.
- SFR  
Special Function Registers. Selected CPU registers and peripheral control and status registers, accessible only via direct addressing.
- CODE  
64 kB of Code memory space, accessed as part of program execution and via the MOVC instruction. The P89LPC912/913/914 has 1 kB of on-chip Code memory.

## 8.11 Interrupts

The P89LPC912/913/914 uses a four priority level interrupt structure. This allows great flexibility in controlling the handling of the many interrupt sources.

The P89LPC912 supports 7 interrupt sources: timers 0 and 1, brownout detect, Watchdog/Real-Time clock, keyboard, comparators 1 and 2, and SPI.

The P89LPC913 and P89LPC914 devices support 10 interrupt sources: timers 0 and 1, serial port TX, serial port RX, combined serial port RX/TX, brownout detect, Watchdog/Real-Time clock, keyboard, comparators 1 and 2, and SPI.

Each interrupt source can be individually enabled or disabled by setting or clearing a bit in the interrupt enable registers IEN0 or IEN1. The IEN0 register also contains a global disable bit, EA, which disables all interrupts.

Each interrupt source can be individually programmed to one of four priority levels by setting or clearing bits in the interrupt priority registers IP0, IP0H, IP1, and IP1H. An interrupt service routine in progress can be interrupted by a higher priority interrupt, but not by another interrupt of the same or lower priority. The highest priority interrupt service cannot be interrupted by any other interrupt source. If two requests of different priority levels are pending at the start of an instruction, the request of higher priority level is serviced.

If requests of the same priority level are pending at the start of an instruction, an internal polling sequence determines which request is serviced. This is called the arbitration ranking. Note that the arbitration ranking is only used to resolve pending requests of the same priority level.

### 8.11.1 External interrupt inputs

The P89LPC912/913/914 has a Keypad Interrupt function. This can be used as an external interrupt input.

If enabled when the P89LPC912/913/914 is put into Power-down or Idle mode, the interrupt will cause the processor to wake-up and resume operation. Refer to [Section 8.14 "Power reduction modes"](#) for details.



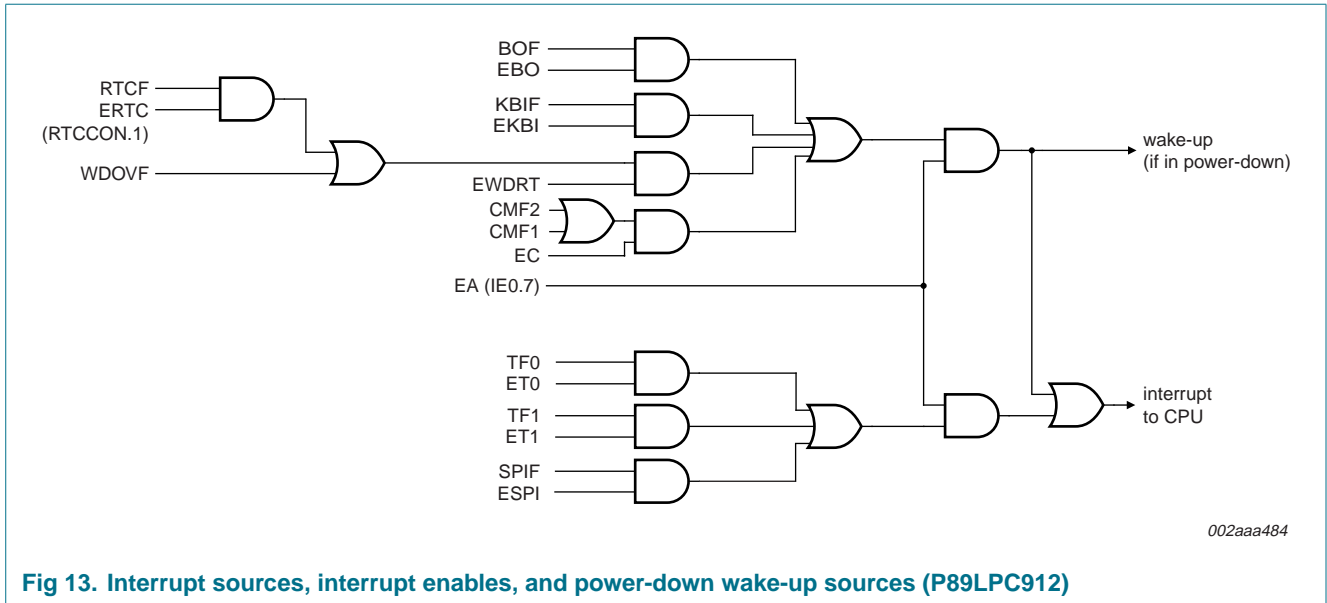


Fig 13. Interrupt sources, interrupt enables, and power-down wake-up sources (P89LPC912)

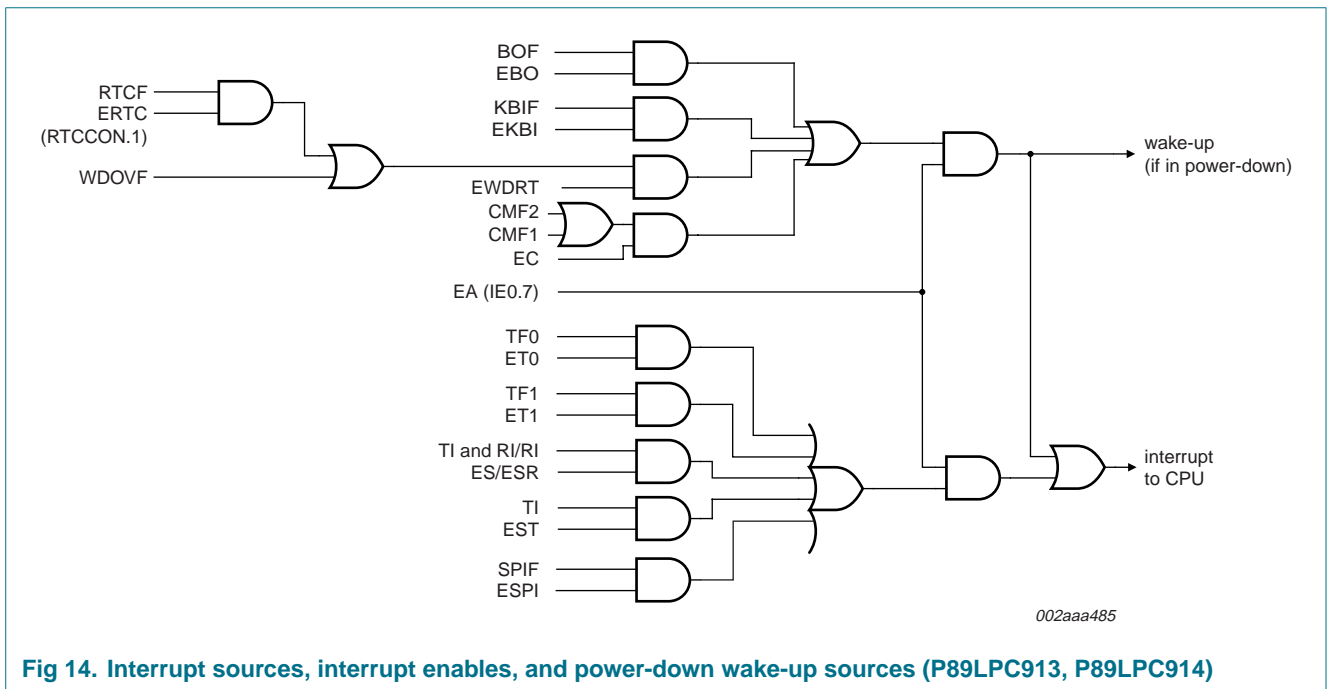


Fig 14. Interrupt sources, interrupt enables, and power-down wake-up sources (P89LPC913, P89LPC914)

### 8.12 I/O ports

The P89LPC912 and P89LPC913 devices have 4 I/O ports: Port 0, Port 1, Port 2 and Port 3. The exact number of I/O pins available depends on the clock and reset options chosen, as shown in [Table 10](#).

**Table 10. Number of I/O pins available (P89LPC912, P89LPC913)**

| Clock source   | Reset option  | Number of I/O pins (14-pin package) |
|--|---|-------------------------------------|
| On-chip oscillator or watchdog oscillator                        | No external reset (except during power-up)                    | 12                                  |
|  | External $\overline{\text{RST}}$ pin supported                | 11                                  |
| External clock input   | No external reset (except during power-up)                    | 11                                  |
|  | External $\overline{\text{RST}}$ pin supported                | 10                                  |
| Low/medium/high-speed oscillator (external crystal or resonator) | No external reset (except during power-up)                    | 10                                  |
|  | External $\overline{\text{RST}}$ pin supported <sup>[1]</sup> | 9                                   |

[1] Required for operation above 12 MHz.

The P89LPC914 has three I/O ports: Port 0, Port 1, and Port 2. The exact number of I/O pins available depends upon the reset option chosen, as shown in [Table 11](#).

**Table 11. Number of I/O pins available (P89LPC914)**

| Reset option  | Number of I/O pins (14-pin package) |
|---|-------------------------------------|
| No external reset (except during power-up)                    | 12                                  |
| External $\overline{\text{RST}}$ pin supported <sup>[1]</sup> | 11                                  |

[1] Required for operation above 12 MHz.

### 8.12.1 Port configurations

Except as listed below, every I/O pin on the P89LPC912/913/914 may be configured by software to one of four types on a bit-by-bit basis. These are: quasi-bidirectional (standard 80C51 port outputs), push-pull, open drain, and input-only. Two configuration registers for each port select the output type for each port pin.

P1.5/ $\overline{\text{RST}}$  can only be an input and cannot be configured.

P1.2/T0 may only be configured to be either input-only or open drain (P89LPC912, P89LPC914).

### 8.12.2 Quasi-bidirectional output configuration

Quasi-bidirectional output type can be used as both an input and output without the need to reconfigure the port. This is possible because when the port outputs a logic HIGH, it is weakly driven, allowing an external device to pull the pin LOW. When the pin is driven LOW, it is driven strongly and able to sink a fairly large current. These features are somewhat similar to an open-drain output except that there are three pull-up transistors in the quasi-bidirectional output that serve different purposes.

The P89LPC912/913/914 is a 3 V device, but the pins are 5 V-tolerant. In quasi-bidirectional mode, if a user applies 5 V on the pin, there will be a current flowing from the pin to  $V_{DD}$ , causing extra power consumption. Therefore, applying 5 V in quasi-bidirectional mode is discouraged.

A quasi-bidirectional port pin has a Schmitt triggered input that also has a glitch suppression circuit.

### 8.12.3 Open-drain output configuration

The open-drain output configuration turns off all pull-ups and only drives the pull-down transistor of the port driver when the port latch contains a logic 0. To be used as a logic output, a port configured in this manner must have an external pull-up, typically a resistor tied to  $V_{DD}$ .

An open-drain port pin has a Schmitt triggered input that also has a glitch suppression circuit.

### 8.12.4 Input-only configuration

The input-only port configuration has no output drivers. It is a Schmitt triggered input that also has a glitch suppression circuit.

### 8.12.5 Push-pull output configuration

The push-pull output configuration has the same pull-down structure as both the open-drain and the quasi-bidirectional output modes, but provides a continuous strong pull-up when the port latch contains a logic 1. The push-pull mode may be used when more source current is needed from a port output. A push-pull port pin has a Schmitt triggered input that also has a glitch suppression circuit.

### 8.12.6 Port 0 analog functions

The P89LPC912/913/914 incorporates two Analog Comparators. In order to give the best analog function performance and to minimize power consumption, pins that are being used for analog functions must have the digital outputs and digital inputs disabled.

Digital outputs are disabled by putting the port output into the Input-only (high-impedance) mode as described in [Section 8.12.4 "Input-only configuration"](#).

Digital inputs on Port 0 may be disabled through the use of the PT0AD register. On any reset, the PT0AD bits default to logic 0s to enable digital functions.

### 8.12.7 Additional port features

After power-up, all pins are in Input-Only mode. After power-up all I/O pins except P1.5, may be configured by software.

- Pin P1.5 is input only.
- P1.2/T0 is configurable for either input-only or open-drain (P89LPC912, P89LPC914).

Every output on the P89LPC912/913/914 has been designed to sink typical LED drive current. However, there is a maximum total output current for all ports which must not be exceeded. Please refer to [Table 13 “Static characteristics”](#) for detailed specifications.

All port pins that can function as an output have slew rate controlled outputs to limit noise generated by quickly switching output signals. The slew rate is factory-set to approximately 10 ns rise and fall times.

## 8.13 Power monitoring functions

The P89LPC912/913/914 incorporates power monitoring functions designed to prevent incorrect operation during initial power-up and power loss or reduction during operation. This is accomplished with two hardware functions: Power-on detect and brownout detect.

### 8.13.1 Brownout detection

The brownout detect function determines if the power supply voltage drops below a certain level. The default operation is for a brownout detection to cause a processor reset, however, it may alternatively be configured to generate an interrupt.

Brownout detection may be enabled or disabled in software.

If brownout detection is enabled, the brownout condition occurs when  $V_{DD}$  falls below the brownout trip voltage,  $V_{bo}$  (see [Table 13 “Static characteristics”](#)), and is negated when  $V_{DD}$  rises above  $V_{bo}$ . If the P89LPC912/913/914 device is to operate with a power supply that can be below 2.7 V, BOE should be left in the unprogrammed state so that the device can operate at 2.4 V, otherwise continuous brownout reset may prevent the device from operating.

For correct activation of Brownout detect, the  $V_{DD}$  rise and fall times must be observed. Please see [Table 13 “Static characteristics”](#) for specifications.

### 8.13.2 Power-on detection

The Power-on detect has a function similar to the brownout detect, but is designed to work as power comes up initially, before the power supply voltage reaches a level where brownout detect can work. The POF flag in the RSTSRC register is set to indicate an initial power-up condition. The POF flag will remain set until cleared by software.

## 8.14 Power reduction modes

The P89LPC912/913/914 supports three different power reduction modes. These modes are Idle mode, Power-down mode, and Total Power-down mode.

### 8.14.1 Idle mode

Idle mode leaves peripherals running in order to allow them to activate the processor when an interrupt is generated. Any enabled interrupt source or reset may terminate Idle mode.

### 8.14.2 Power-down mode

The Power-down mode stops the oscillator in order to minimize power consumption. The P89LPC912/913/914 exits Power-down mode via any reset, or certain interrupts. In Power-down mode, the power supply voltage may be reduced to the RAM data retention voltage  $V_{DDR}$ . This retains the RAM contents at the point where Power-down mode was entered. SFR contents are not guaranteed after  $V_{DD}$  has been lowered to  $V_{DDR}$ , therefore it is highly recommended to wake up the processor via reset in this case.  $V_{DD}$  must be raised to within the operating range before the Power-down mode is exited.

Some chip functions continue to operate and draw power during Power-down mode, increasing the total power used during power-down. These include: Brownout detect, watchdog timer, comparators (note that comparators can be powered-down separately), and RTC/System Timer. The internal RC oscillator is disabled unless both the RC oscillator has been selected as the system clock **and** the RTC is enabled.

### 8.14.3 Total Power-down mode

This is the same as Power-down mode except that the brownout detection circuitry and the voltage comparators are also disabled to conserve additional power. The internal RC oscillator is disabled unless both the RC oscillator has been selected as the system clock **and** the RTC is enabled. If the internal RC oscillator is used to clock the RTC during power-down, there will be high power consumption. Please use an external low frequency clock to achieve low power with the RTC running during power-down.

## 8.15 Reset

The P1.5/ $\overline{RST}$  pin can function as either an active-LOW reset input or as a digital input, P1.5. The RPE (Reset Pin Enable) bit in UCFG1, when set to logic 1, enables the external reset input function on P1.5. When cleared, P1.5 may be used as an input pin.

**Remark:** During a power-up sequence, the RPE selection is overridden and this pin will always function as a reset input. **An external circuit connected to this pin should not hold this pin LOW during a power-on sequence as this will keep the device in reset.** After power-up this input will function either as an external reset input or as a digital input as defined by the RPE bit. Only a power-up reset will temporarily override the selection defined by RPE bit. Other sources of reset will not override the RPE bit.

Reset can be triggered from the following sources:

- External reset pin (during power-up or if user configured via UCFG1. This option must be used for an oscillator frequency above 12 MHz.)
- Power-on detect
- Brownout detect
- Watchdog timer
- Software reset
- UART break character detect reset (P89LPC913, P89LPC914).

For every reset source, there is a flag in the Reset Register, RSTSRC. The user can read this register to determine the most recent reset source. These flag bits can be cleared in software by writing a logic 0 to the corresponding bit. More than one flag bit may be set:

- During a power-on reset, both POF and BOF are set but the other flag bits are cleared.
- For any other reset, previously set flag bits that have not been cleared will remain set.

## 8.16 Timers/counters 0 and 1

The P89LPC912/913/914 devices have two general purpose counter/timers which are upward compatible with the standard 80C51 Timer 0 and Timer 1. An option to automatically toggle the T0 pin upon timer overflow has been added (P89LPC912, P89LPC914). In the 'Timer' function, the register is incremented every machine cycle. In the 'Counter' function, the register of Timer 0 is incremented in response to a 1-to-0 transition at its external input pin, T0. This external input is sampled once every machine cycle.

Timer 0 has four operating modes (modes 0, 1, 2, and 3) on the P89LPC913).

Timer 0 has five operating modes (modes 0, 1, 2, 3, and 6 on the P89LPC912 and P89LPC914).

Timer 1 has four operating modes (modes 0, 1, 2, and 3) on all devices. Modes 0, 1, and 2 are the same for both Timers/Counters. Mode 3 is different.

### 8.16.1 Mode 0

Putting either Timer into Mode 0 makes it look like an 8048 Timer, which is an 8-bit Counter with a divide-by-32 prescaler. In this mode, the Timer register is configured as a 13-bit register. Mode 0 operation is the same for Timer 0 and Timer 1.

### 8.16.2 Mode 1

Mode 1 is the same as Mode 0, except that all 16 bits of the timer register are used.

### 8.16.3 Mode 2

Mode 2 configures the Timer register as an 8-bit Counter with automatic reload. Mode 2 operation is the same for Timer 0 and Timer 1.

#### 8.16.4 Mode 3

When Timer 1 is in Mode 3 it is stopped. Timer 0 in Mode 3 forms two separate 8-bit counters and is provided for applications that require an extra 8-bit timer. When Timer 1 is in Mode 3 it can still be used by the serial port as a baud rate generator.

#### 8.16.5 Mode 6 (P89LPC912, P89LPC914)

In this mode, the corresponding timer can be changed to a PWM with a full period of 256 timer clocks.

#### 8.16.6 Timer overflow toggle output (P89LPC912, P89LPC914)

Timers 0 can be configured to automatically toggle the T0 output whenever a timer overflow occurs. The same device pins that are used for the T0 count input is also used for the timer toggle outputs. The port outputs will be a logic 1 prior to the first timer overflow when this mode is turned on.

### 8.17 RTC/system timer

The P89LPC912/913/914 devices have a simple RTC that allows a user to continue running an accurate timer while the rest of the device is powered-down. The RTC can be a wake-up or an interrupt source. The RTC is a 23-bit down counter comprised of a 7-bit prescaler and a 16-bit loadable down counter. When it reaches all logic 0s, the counter will be reloaded again and the RTCF flag will be set.

On the P89LPC914 the clock source for this counter is the CPU clock (CCLK). On the P89LPC912 and P89LPC913 devices, the clock source for this counter can either be the CPU clock (CCLK) or the XTAL oscillator, provided that the XTAL oscillator is not being used as the CPU clock. If the XTAL oscillator is used as the CPU clock, then the RTC will use CCLK as its clock source.

Only power-on reset will reset the RTC and its associated SFRs to the default state.

### 8.18 UART (P89LPC913, P89LPC914)

The P89LPC913 and P89LPC914 devices have an enhanced UART that is compatible with the conventional 80C51 UART except that Timer 2 overflow cannot be used as a baud rate source. The P89LPC913 does include an independent Baud Rate Generator. The baud rate can be selected from the oscillator (divided by a constant), Timer 1 overflow, or the independent Baud Rate Generator. In addition to the baud rate generation, enhancements over the standard 80C51 UART include Framing Error detection, automatic address recognition, selectable double buffering and several interrupt options. The UART can be operated in four modes: shift register, 8-bit UART, 9-bit UART, and CCLK/32 or CCLK/16.

#### 8.18.1 Mode 0

Serial data enters and exits through RXD. TXD outputs the shift clock. 8 bits are transmitted or received, LSB first. The baud rate is fixed at  $\frac{1}{16}$  of the CPU clock frequency.

**8.18.2 Mode 1**

10 bits are transmitted (through TXD) or received (through RXD): a start bit (logic 0), 8 data bits (LSB first), and a stop bit (logic 1). When data is received, the stop bit is stored in RB8 in Special Function Register SCON. The baud rate is variable and is determined by the Timer 1 overflow rate or the Baud Rate Generator (described in [Section 8.18.5 “Baud rate generator and selection”](#)).

**8.18.3 Mode 2**

11 bits are transmitted (through TXD) or received (through RXD): start bit (logic 0), 8 data bits (LSB first), a programmable 9<sup>th</sup> data bit, and a stop bit (logic 1). When data is transmitted, the 9<sup>th</sup> data bit (TB8 in SCON) can be assigned the value of logic 0 or logic 1. Or, for example, the parity bit (P, in the PSW) could be moved into TB8. When data is received, the 9<sup>th</sup> data bit goes into RB8 in Special Function Register SCON, while the stop bit is not saved. The baud rate is programmable to either 1/16 or 1/32 of the CCLK frequency, as determined by the SMOD1 bit in PCON.

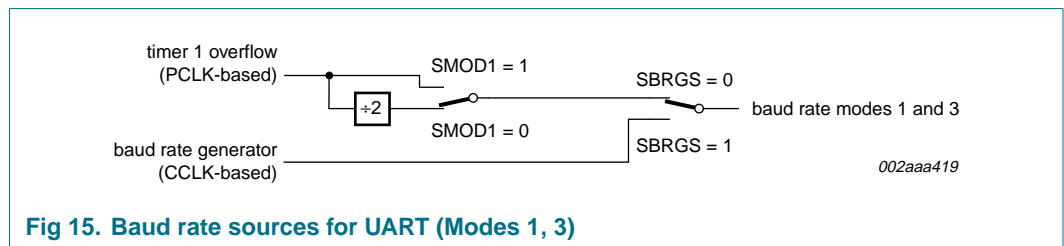
**8.18.4 Mode 3**

11 bits are transmitted (through TXD) or received (through RXD): a start bit (logic 0), 8 data bits (LSB first), a programmable 9<sup>th</sup> data bit, and a stop bit (logic 1). In fact, Mode 3 is the same as Mode 2 in all respects except baud rate. The baud rate in Mode 3 is variable and is determined by the Timer 1 overflow rate or the Baud Rate Generator (described in section [Section 8.18.5 “Baud rate generator and selection”](#)).

**8.18.5 Baud rate generator and selection**

The P89LPC913 and P89LPC914 devices have an independent Baud Rate Generator. The baud rate is determined by a baud-rate preprogrammed into the BRGR1 and BRGR0 SFRs which together form a 16-bit baud rate divisor value that works in a similar manner as Timer 1. If the baud rate generator is used, Timer 1 can be used for other timing functions.

The UART can use either Timer 1 or the baud rate generator output (see [Figure 15](#)). Note that Timer T1 is further divided by 2 if the SMOD1 bit (PCON.7) is cleared. The independent Baud Rate Generator uses CCLK.



**Fig 15. Baud rate sources for UART (Modes 1, 3)**

**8.18.6 Framing error**

Framing error is reported in the status register (SSTAT). In addition, if SMOD0 (PCON.6) is logic 1, framing errors can be made available in SCON.7, respectively. If SMOD0 is logic 0, SCON.7 is SM0. It is recommended that SM0 and SM1 (SCON[7:6]) are set up when SMOD0 is logic 0.



### 8.18.7 Break detect

Break detect is reported in the status register (SSTAT). A break is detected when 11 consecutive bits are sensed LOW. The break detect can be used to reset the device.

### 8.18.8 Double buffering

The UART has a transmit double buffer that allows buffering of the next character to be written to SBUF while the first character is being transmitted. Double buffering allows transmission of a string of characters with only one stop bit between any two characters, as long as the next character is written between the start bit and the stop bit of the previous character.

Double buffering can be disabled. If disabled (DBMOD, i.e., SSTAT.7 = 0), the UART is compatible with the conventional 80C51 UART. If enabled, the UART allows writing to SBUF while the previous data is being shifted out. Double buffering is only allowed in Modes 1, 2 and 3. When operated in Mode 0, double buffering must be disabled (DBMOD = 0).

### 8.18.9 Transmit interrupts with double buffering enabled (modes 1, 2 and 3)

Unlike the conventional UART, in double buffering mode, the TX interrupt is generated when the double buffer is ready to receive new data.

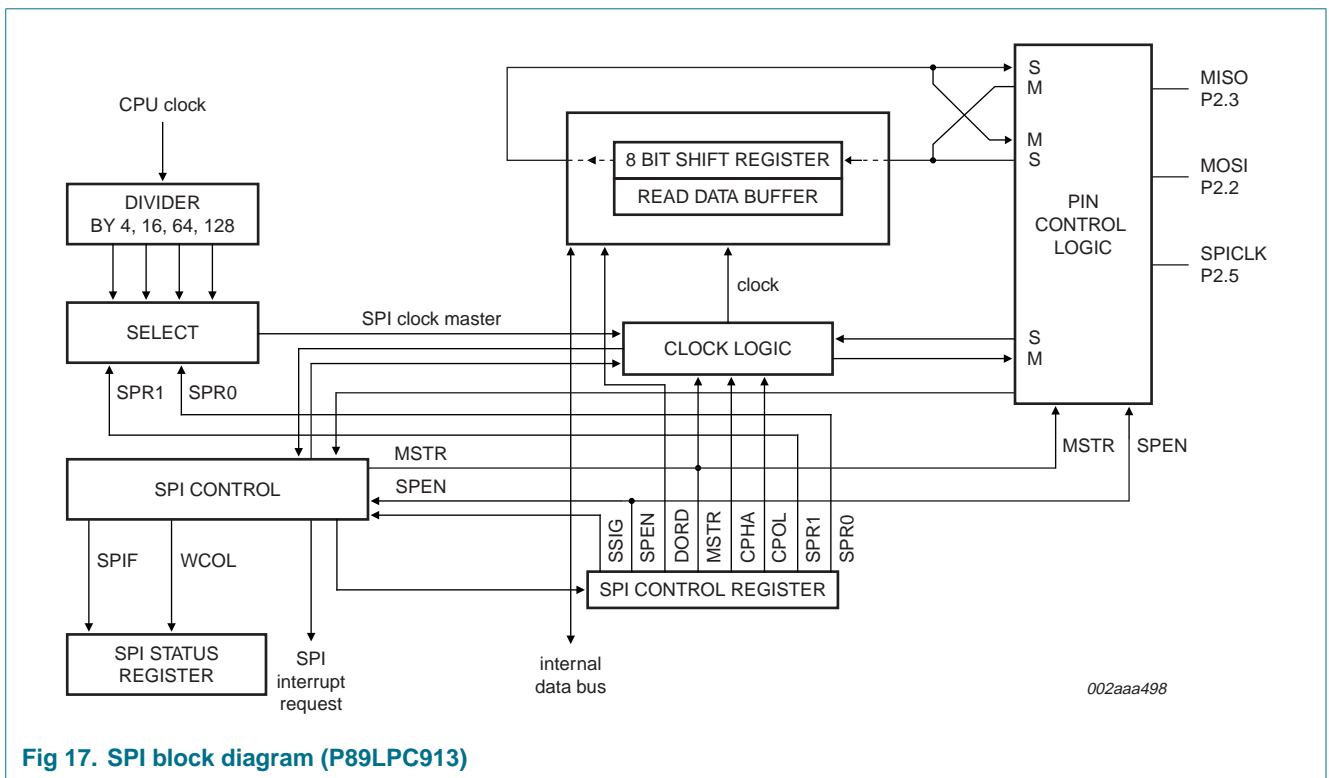
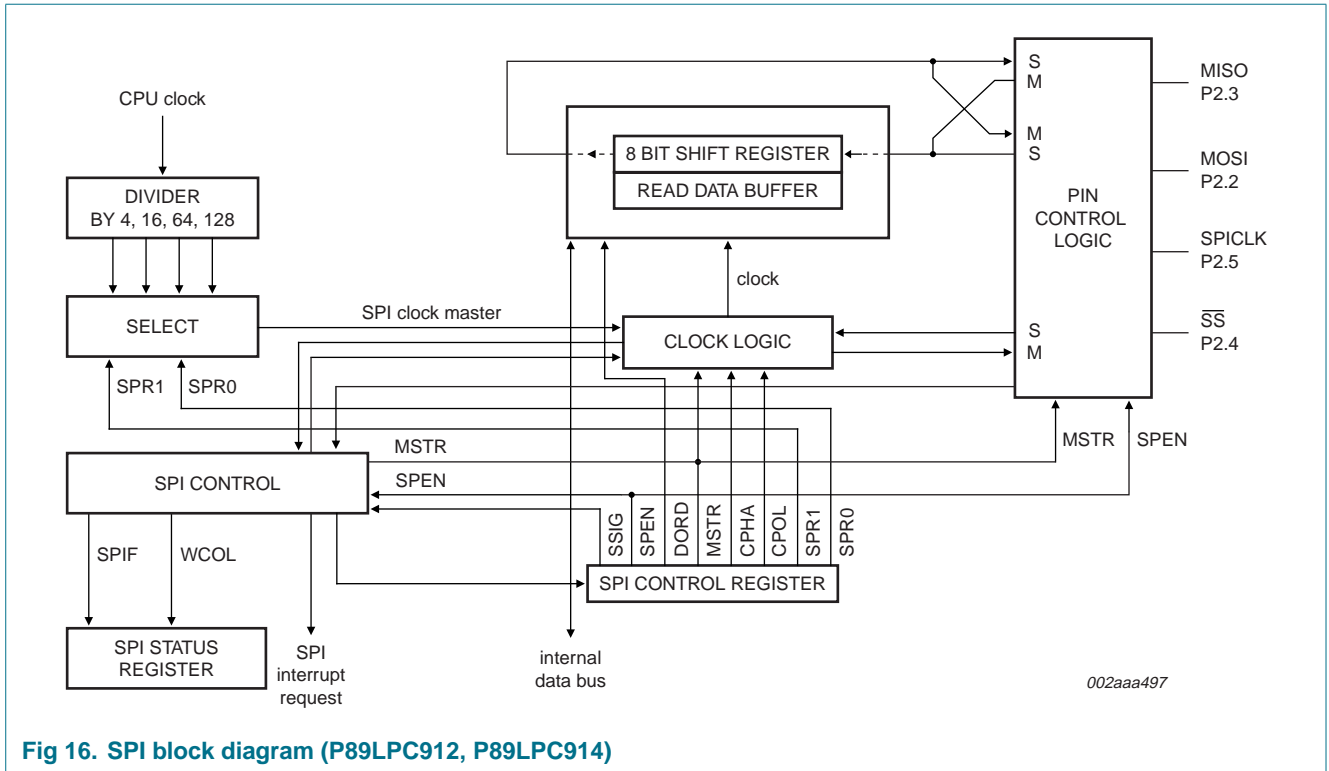
### 8.18.10 The 9<sup>th</sup> bit (bit 8) in double buffering (modes 1, 2 and 3)

If double buffering is disabled TB8 can be written before or after SBUF is written, as long as TB8 is updated some time before that bit is shifted out. TB8 must not be changed until the bit is shifted out, as indicated by the TX interrupt.

If double buffering is enabled, TB8 **must** be updated before SBUF is written, as TB8 will be double-buffered together with SBUF data.

## 8.19 Serial Peripheral Interface (SPI)

P89LPC912/913/914 provides another high-speed serial communication interface—the SPI interface. SPI is a full-duplex, high-speed, synchronous communication bus with two operation modes: Master mode and Slave mode. Up to 4.5 Mbit/s can be supported in Master mode or 3 Mbit/s in Slave mode. It has a Transfer Completion Flag and Write Collision Flag Protection.



The SPI interface has four pins: SPICLK, MOSI, MISO, and  $\overline{SS}$ :

- SPICLK, MOSI and MISO are typically tied together between two or more SPI devices. Data flows from master to slave on MOSI (Master Out Slave In) pin and flows from slave to master on MISO (Master In Slave Out) pin. The SPICLK signal is output in the master mode and is input in the slave mode. If the SPI system is disabled, i.e. SPEN (SPCTL.6) = 0 (reset value), these pins are configured for port functions.
- $\overline{SS}$  is the optional slave select pin. In a typical configuration, an SPI master asserts one of its port pins to select one SPI device as the current slave. An SPI slave device uses its  $\overline{SS}$  pin to determine whether it is selected.

Typical connections are shown in [Figure 18](#), [19](#), and [20](#).

- The P89LPC913 does not have the slave select pin,  $\overline{SS}$ . The SPI interface is set to Master mode and an I/O pin may be used to implement the  $\overline{SS}$  function. Typical connections are shown in [Figure 18](#) and [Figure 19](#).

### 8.19.1 Typical SPI configurations

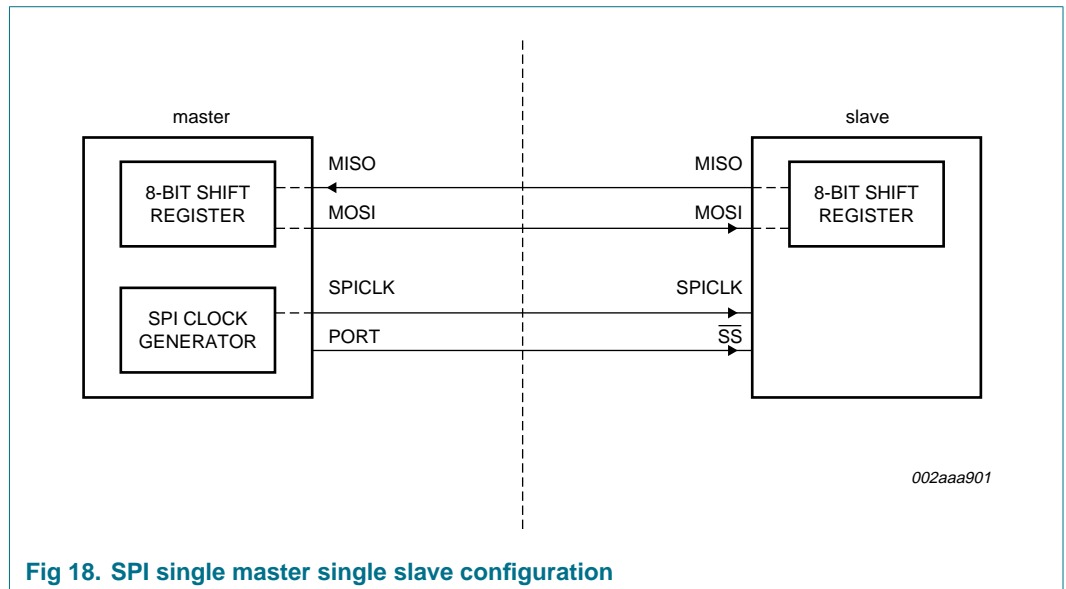
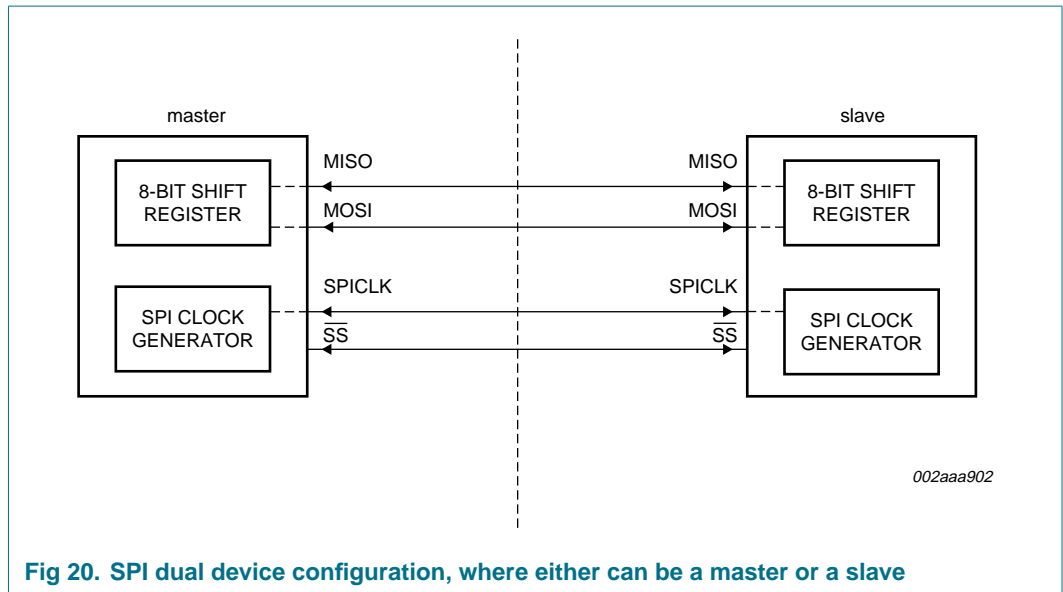
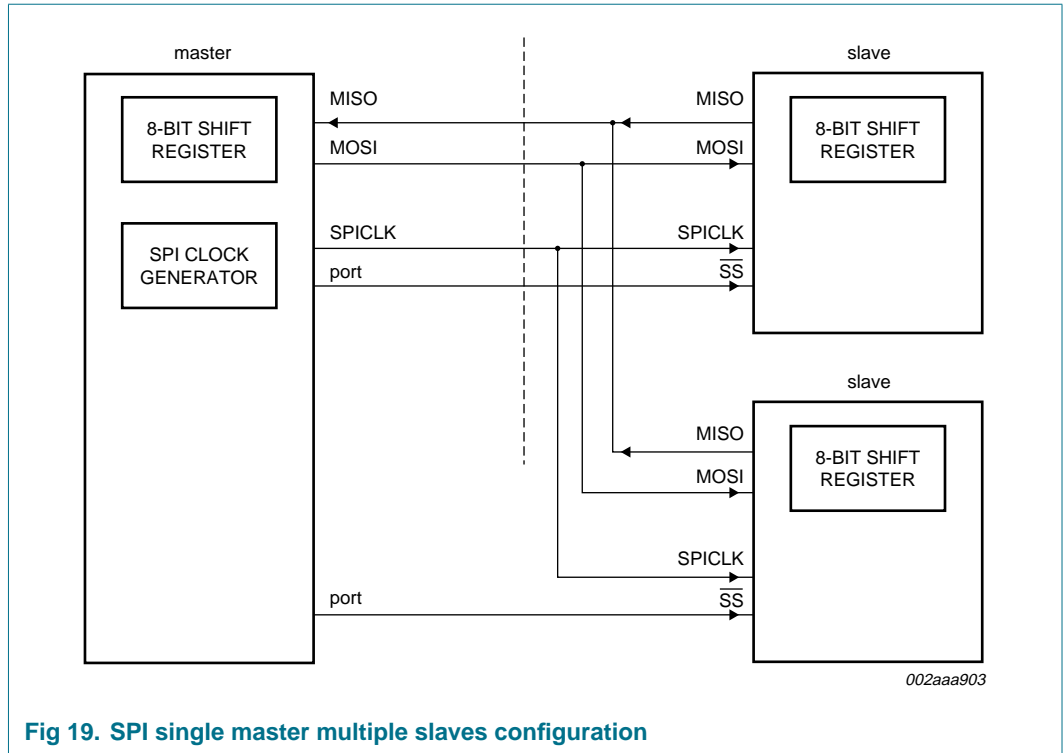


Fig 18. SPI single master single slave configuration



8.20 Analog comparators

Two analog comparators are provided on the P89LPC912/913/914. Input and output options allow use of the comparators in a number of different configurations. Comparator operation is such that the output is a logic 1 when the positive input is greater than the negative input (selectable from a pin or an internal reference voltage). Otherwise the output is a zero. Each comparator may be configured to cause an interrupt when the output value changes. Comparator 1 may be output to a port pin.

The overall connections to both comparators are shown in [Figure 21](#). The comparators function to  $V_{DD} = 2.4\text{ V}$ .

When each comparator is first enabled, the comparator output and interrupt flag are not guaranteed to be stable for 10 microseconds. The corresponding comparator interrupt should not be enabled during that time, and the comparator interrupt flag must be cleared before the interrupt is enabled in order to prevent an immediate interrupt service.

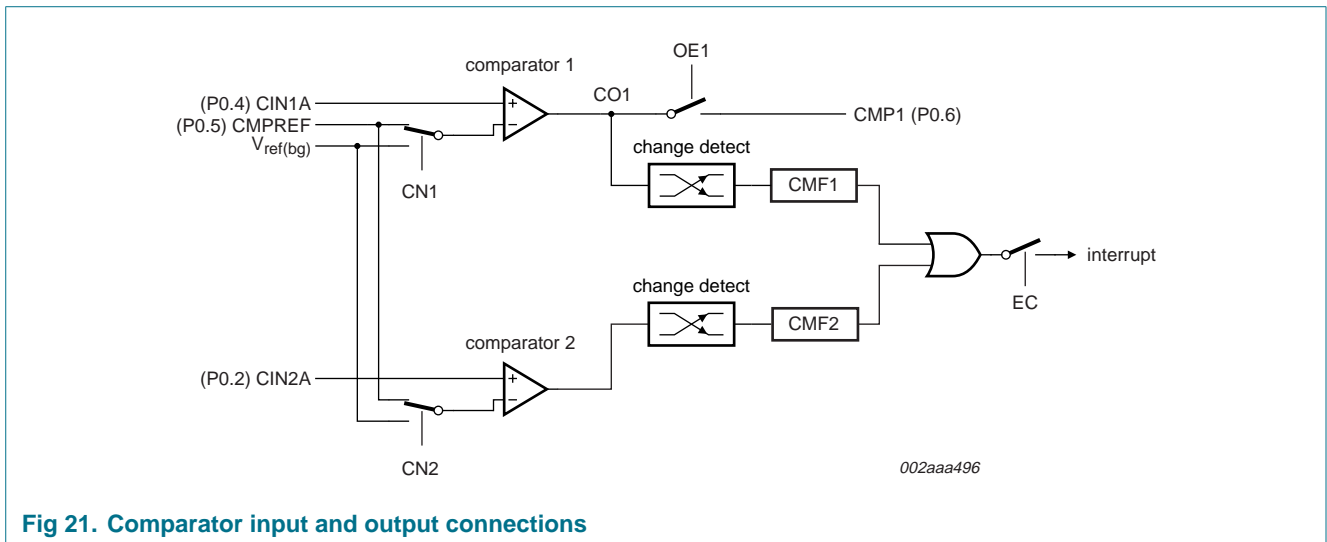


Fig 21. Comparator input and output connections

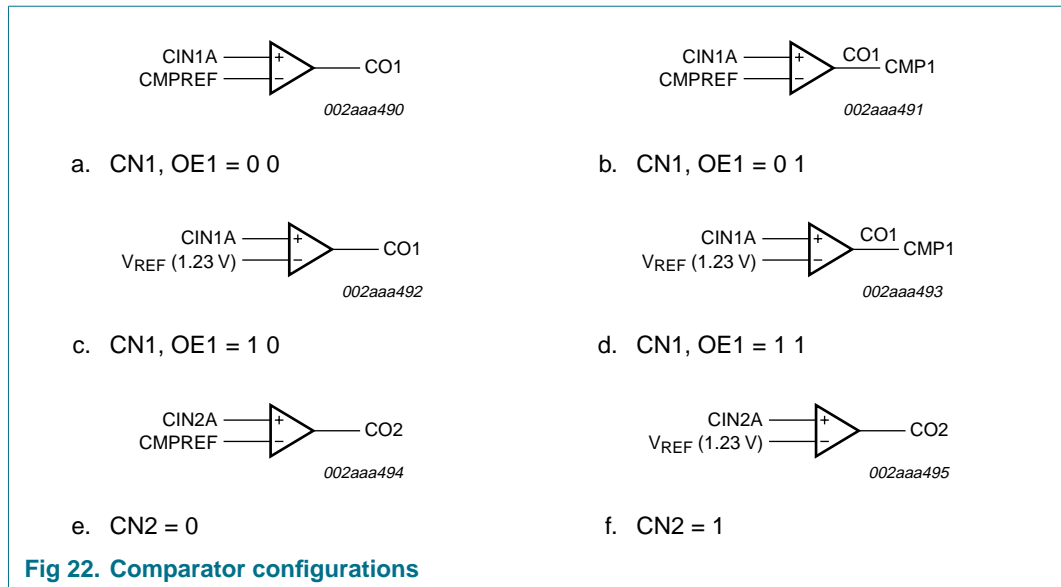
8.21 Internal reference voltage

An internal reference voltage generator may supply a default reference when a single comparator input pin is used. The value of the internal reference voltage, referred to as  $V_{ref(bg)}$ , is  $1.23\text{ V} \pm 3\%$ .

8.22 Comparator interrupt

Each comparator has an interrupt flag contained in its configuration register. This flag is set whenever the comparator output changes state. The flag may be polled by software or may be used to generate an interrupt. The two comparators use one common interrupt vector. If both comparators enable interrupts, after entering the interrupt service routine, the user needs to read the flags to determine which comparator caused the interrupt.

Possible comparator configurations are shown in [Figure 22](#).



### 8.23 Comparators and power reduction modes

Either or both comparators may remain enabled when Power-down or Idle mode is activated, but both comparators are disabled automatically in Total Power-down mode.

If a comparator interrupt is enabled (except in Total Power-down mode), a change of the comparator output state will generate an interrupt and wake up the processor. If the comparator output to a pin is enabled, the pin should be configured in the push-pull mode in order to obtain fast switching times while in Power-down mode. The reason is that with the **oscillator** stopped, the temporary strong pull-up that normally occurs during switching on a quasi-bidirectional port pin does not take place.

Comparators consume power in Power-down and Idle modes, as well as in the normal operating mode. This fact should be taken into account when system power consumption is an issue. To minimize power consumption, the user can disable the comparators via PCONA.5, or put the device in Total Power-down mode.

### 8.24 Keypad interrupt

The Keypad Interrupt function is intended primarily to allow a single interrupt to be generated when Port 0 is equal to or not equal to a certain pattern. This function can be used for bus address recognition or keypad recognition. The user can configure the port via SFRs for different tasks.

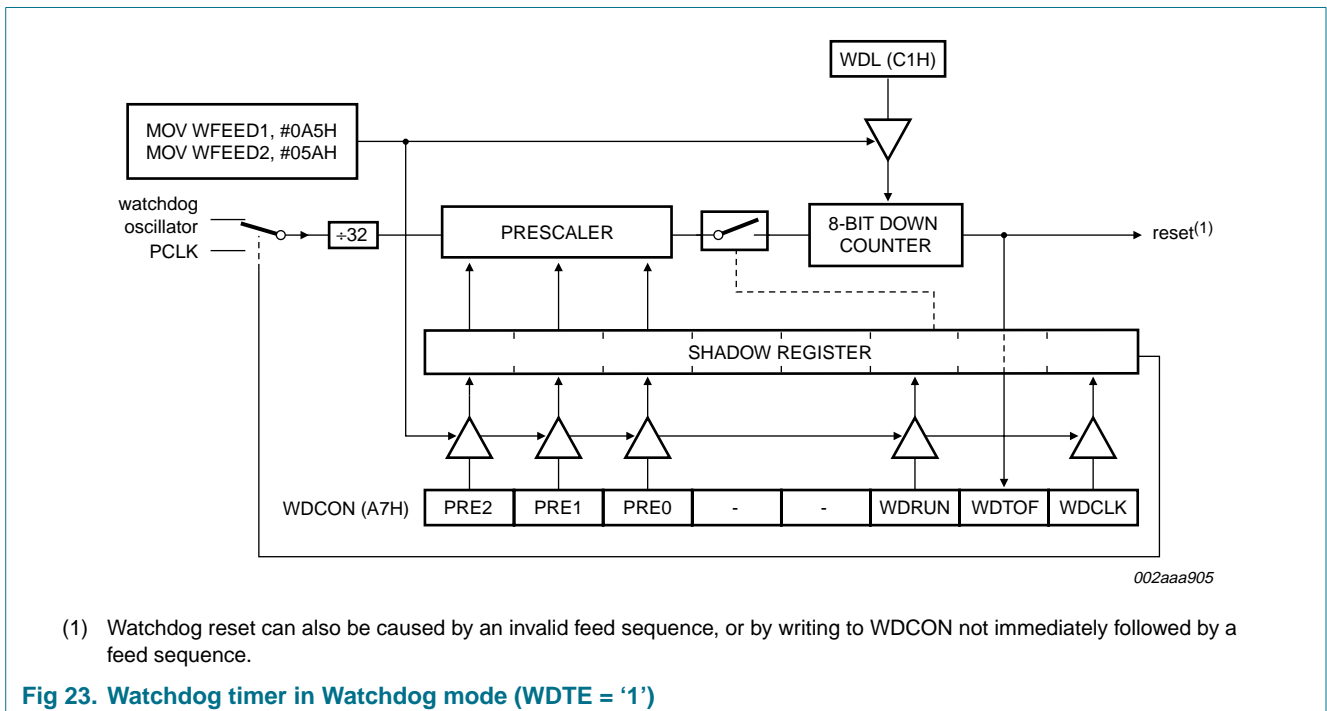
The Keypad Interrupt Mask Register (KBMASK) is used to define which input pins connected to Port 0 can trigger the interrupt. The Keypad Pattern Register (KBPATN) is used to define a pattern that is compared to the value of Port 0. The Keypad Interrupt Flag (KBIF) in the Keypad Interrupt Control Register (KBCON) is set when the condition is matched while the Keypad Interrupt function is active. An interrupt will be generated if enabled. The PATN\_SEL bit in the Keypad Interrupt Control Register (KBCON) is used to define equal or not-equal for the comparison.

In order to use the Keypad Interrupt as an original KBI function like in 87LPC76x series, the user needs to set KBPATN = 0FFH and PATN\_SEL = 1 (not equal), then any key connected to Port 0 which is enabled by the KBMASK register will cause the hardware to set KBIF and generate an interrupt if it has been enabled. The interrupt may be used to wake up the CPU from Idle or Power-down modes. This feature is particularly useful in handheld, battery-powered systems that need to carefully manage power consumption yet also need to be convenient to use.

In order to set the flag and cause an interrupt, the pattern on Port 0 must be held longer than 6 CCLKs.

### 8.25 Watchdog timer

The watchdog timer causes a system reset when it underflows as a result of a failure to feed the timer prior to the timer reaching its terminal count. It consists of a programmable 12-bit prescaler, and an 8-bit down counter. The down counter is decremented by a tap taken from the prescaler. The clock source for the prescaler is either the PCLK or the nominal 400 kHz watchdog oscillator. The watchdog timer can only be reset by a power-on reset. When the watchdog feature is disabled, it can be used as an interval timer and may generate an interrupt. Figure 23 shows the watchdog timer in Watchdog mode. Feeding the watchdog requires a two-byte sequence. If PCLK is selected as the watchdog clock and the CPU is powered-down, the watchdog is disabled. The watchdog timer has a time-out period that ranges from a few  $\mu$ s to a few seconds. Please refer to the P89LPC912/913/914 User manual for more details.



## 8.26 Additional features

### 8.26.1 Software reset

The SRST bit in AUXR1 gives software the opportunity to reset the processor completely, as if an external reset or watchdog reset had occurred. Care should be taken when writing to AUXR1 to avoid accidental software resets.

### 8.26.2 Dual data pointers

The dual Data Pointers (DPTR) provides two different Data Pointers to specify the address used with certain instructions. The DPS bit in the AUXR1 register selects one of the two Data Pointers. Bit 2 of AUXR1 is permanently wired as a logic 0 so that the DPS bit may be toggled (thereby switching Data Pointers) simply by incrementing the AUXR1 register, without the possibility of inadvertently altering other bits in the register.

## 8.27 Flash program memory

### 8.27.1 General description

The P89LPC912/913/914 flash memory provides in-circuit electrical erasure and programming. The flash can be erased, read, and written as bytes. The Sector and Page Erase functions can erase any flash sector (256 B) or page (16 B). The Chip Erase operation will erase the entire program memory. ICP using standard commercial programmers is available. In addition, IAP and byte erase allows code memory to be used for non-volatile data storage. On-chip erase and write timing generation contribute to a user-friendly programming interface. The P89LPC912/913/914 flash reliably stores memory contents even after 400000 erase and program cycles. The cell is designed to optimize the erase and programming mechanisms. The P89LPC912/913/914 uses  $V_{DD}$  as the supply voltage to perform the Program/Erase algorithms.

### 8.27.2 Features

- Programming and erase over the full operating voltage range.
- Byte erase allows code memory to be used for data storage.
- Read/Programming/Erase using ICP.
- Any flash program/erase operation in 2 ms.
- Programming with industry-standard commercial programmers.
- Programmable security for the code in the flash for each sector.
- 400000 typical erase/program cycles for each byte.
- 20 year minimum data retention.

### 8.27.3 Flash organization

The P89LPC912/913/914 program memory consists of four 256 byte sectors. Each sector can be further divided into 16 B pages. In addition to sector erase, page erase, and byte erase, a 16 B page register is included which allows from 1 B to 16 B of a given page to be programmed at the same time, substantially reducing overall programming time. In addition, erasing and reprogramming of user-programmable configuration bytes including UCFG1, the Boot Status Bit, and the Boot Vector is supported.



#### 8.27.4 Flash programming and erasing

Different methods of erasing or programming of the flash are available. The flash may be programmed or erased in the end-user application (IAP-Lite) under control of the application's firmware. Another option is to use the ICP mechanism. This ICP system provides for programming through a serial clock-serial data interface using a commercially available EPROM programmer which supports this device. This device does not provide for direct verification of code memory contents. Instead, this device provides a 32-bit CRC result on either a sector or the entire 1 kB of user code space.

#### 8.27.5 In-circuit programming

ICP is performed without removing the microcontroller from the system. The ICP facility consists of internal hardware resources to facilitate remote programming of the P89LPC912/913/914 through a two-wire serial interface. The NXP ICP facility has made in-circuit programming in an embedded application, using commercially available programmers, possible with a minimum of additional expense in components and circuit board area. The ICP function uses five pins. Only a small connector (with  $V_{DD}$ ,  $V_{SS}$ ,  $\overline{RST}$ , clock, and data signals) needs to be available to interface your application to a commercial programmer in order to use this feature. Additional details may be found in the P89LPC912/913/914 *User manual*.

#### 8.27.6 In-application programming (IAP-Lite)

In-Application Programming is performed in the application under the control of the microcontroller's firmware. The IAP-Lite facility consists of internal hardware resources to facilitate programming and erasing. The NXP In-Application Programming Lite has made in-application programming in an embedded application possible without additional components. This is accomplished through the use of four SFRs consisting of a control/status register, a data register, and two address registers. Additional details may be found in the P89LPC912/913/914 *User manual*.

#### 8.27.7 Using flash as data storage

The flash code memory array of this device supports **individual** byte erasing and programming. Any byte in the code memory array may be read using the MOVC instruction, provided that the sector containing the byte has not been secured (a MOVC instruction is not allowed to read code memory contents of a secured sector). Thus any byte in a non-secured sector may be used for non-volatile data storage.

#### 8.27.8 User configuration bytes

Some user-configurable features of the P89LPC912/913/914 must be defined at power-up and therefore cannot be set by the program after start of execution. These features are configured through the use of the flash byte UCFG1. Please see the P89LPC912/913/914 *User manual* for additional details.

#### 8.27.9 User sector security bytes

There are four User Sector Security Bytes, each corresponding to one sector. Please see the P89LPC912/913/914 *User manual* for additional details.

## 9. Limiting values

**Table 12. Limiting values**

In accordance with the Absolute Maximum Rating System (IEC 60134).<sup>[1]</sup>

| Symbol            | Parameter                                      | Conditions   | Min  | Max  | Unit |
|-------------------|--|--|------|------|------|
| $T_{amb(bias)}$   | bias ambient temperature                       |  | -55  | +125 | °C   |
| $T_{stg}$         | storage temperature                            |  | -65  | +150 | °C   |
| $I_{OH(I/O)}$     | HIGH-level output current per input/output pin |  | -    | 8    | mA   |
| $I_{OL(I/O)}$     | LOW-level output current per input/output pin  |  | -    | 20   | mA   |
| $I_{I/Otot(max)}$ | maximum total input/output current             |  | -    | 120  | mA   |
| $V_n$             | voltage on any other pin                       | except $V_{SS}$ , with respect to $V_{DD}$                   | -0.5 | +5.5 | V    |
| $P_{tot(pack)}$   | total power dissipation (per package)          | based on package heat transfer, not device power consumption | -    | 1.5  | W    |

[1] The following applies to [Table 12 "Limiting values"](#):

- This product includes circuitry specifically designed for the protection of its internal devices from the damaging effects of excessive static charge. Nonetheless, it is suggested that conventional precautions be taken to avoid applying greater than the rated maximum.
- Parameters are valid over operating temperature range unless otherwise specified. All voltages are with respect to  $V_{SS}$  unless otherwise noted.

## 10. Static characteristics

**Table 13. Static characteristics**

$V_{DD} = 2.4\text{ V to }3.6\text{ V}$ , unless otherwise specified.

$T_{amb} = -40\text{ }^{\circ}\text{C to }+85\text{ }^{\circ}\text{C}$  for industrial,  $-40\text{ }^{\circ}\text{C to }+125\text{ }^{\circ}\text{C}$  for extended, unless otherwise specified.

| Symbol            | Parameter                              | Conditions   | Min  | Typ <sup>[1]</sup> | Max         | Unit                    |    |
|-------------------|--|--|--|--------------------|-------------|-------------------------|----|
| $I_{DD(oper)}$    | operating supply current               | P89LPC912, P89LPC913   | $V_{DD} = 3.6\text{ V};$<br>$f_{osc} = 12\text{ MHz}$    | [2] -              | 7           | 13                      | mA |
|                   |  |  | $V_{DD} = 3.6\text{ V};$<br>$f_{osc} = 18\text{ MHz}$    | [2] -              | 11          | 16                      | mA |
|                   |  | P89LPC914  | $V_{DD} = 3.6\text{ V};$<br>$f_{osc} = 7.373\text{ MHz}$ | [3] -              | 4           | 8                       | mA |
| $I_{DD(idle)}$    | Idle mode supply current               | P89LPC912, P89LPC913   | $V_{DD} = 3.6\text{ V};$<br>$f_{osc} = 12\text{ MHz}$    | [2] -              | 1.5         | 5.6                     | mA |
|                   |  |  | $V_{DD} = 3.6\text{ V};$<br>$f_{osc} = 18\text{ MHz}$    | [2] -              | 4           | 6                       | mA |
|                   |  | P89LPC914  | $V_{DD} = 3.6\text{ V};$<br>$f_{osc} = 7.373\text{ MHz}$ | [3] -              | 1           | 3                       | mA |
| $I_{DD(pd)}$      | Power-down mode supply current         | $V_{DD} = 3.6\text{ V}$  | [2][3] -   | -                  | 70          | $\mu\text{A}$           |    |
| $I_{DD(tpd)}$     | total Power-down mode supply current   | $V_{DD} = 3.6\text{ V}$  | [2][3] -   | 0.5                | 5           | $\mu\text{A}$           |    |
| $(dV/dt)_r$       | rise rate                              | of $V_{DD}$  | -  | -                  | 2           | $\text{mV}/\mu\text{s}$ |    |
| $(dV/dt)_f$       | fall rate                              | of $V_{DD}$  | -  | -                  | 50          | $\text{mV}/\mu\text{s}$ |    |
| $V_{DDR}$         | data retention supply voltage          |  | 1.5  | -                  | -           | V                       |    |
| $V_{th(HL)}$      | HIGH-LOW threshold voltage             | except SCL, SDA  | $0.22V_{DD}$   | $0.4V_{DD}$        | -           | V                       |    |
| $V_{th(LH)}$      | LOW-HIGH threshold voltage             | except SCL, SDA  | -  | $0.6V_{DD}$        | $0.7V_{DD}$ | V                       |    |
| $V_{hys}$         | hysteresis voltage                     |  | -  | $0.2V_{DD}$        | -           | V                       |    |
| $V_{OL}$          | LOW-level output voltage               | $I_{OL} = 20\text{ mA};$ all ports                                     | -  | 0.6                | 1.0         | V                       |    |
|                   |  | $I_{OL} = 10\text{ mA};$ all ports                                     | -  | 0.3                | 0.5         | V                       |    |
|                   |  | $I_{OL} = 3.2\text{ mA};$ all ports                                    | -  | 0.2                | 0.3         | V                       |    |
| $V_{OH}$          | HIGH-level output voltage              | $I_{OH} = -8\text{ mA};$ all ports, push-pull mode                     | $V_{DD} - 1.0$   | -                  | -           | V                       |    |
|                   |  | $I_{OH} = -3.2\text{ mA};$ all ports, push-pull mode                   | $V_{DD} - 0.7$   | $V_{DD} - 0.4$     | -           | V                       |    |
|                   |  | $I_{OH} = -20\text{ }\mu\text{A};$ all ports, quasi-bidirectional mode | $V_{DD} - 0.3$   | $V_{DD} - 0.2$     | -           | V                       |    |
| $C_{iss}$         | input capacitance                      |  | [4] -  | -                  | 15          | pF                      |    |
| $I_{IL}$          | LOW-state input current                | $V_I = 0.4\text{ V};$ all ports  | [5] -  | -                  | -80         | $\mu\text{A}$           |    |
| $I_{LI}$          | input leakage current                  | $V_I = V_{IL}$ or $V_{IH};$ all ports                                  | [6] -  | -                  | $\pm 1$     | $\mu\text{A}$           |    |
| $I_{THL}$         | HIGH-LOW transition current            | $V_I = 2.0\text{ V}$ at $V_{DD} = 3.6\text{ V};$ all ports             | [7][8] -30   | -                  | -450        | $\mu\text{A}$           |    |
| $R_{RST\_N(int)}$ | internal pull-up resistance on pin RST |  | 10   | -                  | 30          | $\text{k}\Omega$        |    |

**Table 13. Static characteristics ...continued**

$V_{DD} = 2.4\text{ V to }3.6\text{ V}$ , unless otherwise specified.

$T_{amb} = -40\text{ }^{\circ}\text{C to }+85\text{ }^{\circ}\text{C}$  for industrial,  $-40\text{ }^{\circ}\text{C to }+125\text{ }^{\circ}\text{C}$  for extended, unless otherwise specified.

| Symbol        | Parameter                        | Conditions   | Min  | Typ <sup>[1]</sup> | Max  | Unit                       |
|---------------|----------------------------------|--|------|--------------------|------|----------------------------|
| $V_{bo}$      | brownout trip voltage            | $2.4\text{ V} < V_{DD} < 3.6\text{ V}$ ; with<br>BOV = 1, BOPD = 0 | 2.40 | -                  | 2.70 | V                          |
| $V_{ref(bg)}$ | band gap reference voltage       |  | 1.19 | 1.23               | 1.27 | V                          |
| $TC_{bg}$     | band gap temperature coefficient |  | -    | 10                 | 20   | ppm/<br>$^{\circ}\text{C}$ |

- [1] Typical ratings are not guaranteed. The values listed are at room temperature,  $V_{DD} = 3\text{ V}$ .
- [2] The  $I_{DD(oper)}$ ,  $I_{DD(idle)}$  and  $I_{DD(pd)}$  specifications are measured using an external clock with the following functions disabled: comparators, brownout detect, and watchdog timer (P89LPC912, P89LPC913).
- [3] The  $I_{DD(oper)}$ ,  $I_{DD(idle)}$  and  $I_{DD(pd)}$  specifications are measured with the following functions disabled: comparators, brownout detect, and watchdog timer (P89LPC914).
- [4] Pin capacitance is characterized but not tested.
- [5] Measured with port in quasi-bidirectional mode.
- [6] Measured with port in high-impedance mode.
- [7] Ports in quasi-bidirectional mode with weak pull-up (applies to all port pins with pull-ups)
- [8] Port pins source a transition current when used in quasi-bidirectional mode and externally driven from logic 1 to logic 0. This current is highest when  $V_I$  is approximately 2 V.

## 11. Dynamic characteristics

**Table 14. Dynamic characteristics**

$V_{DD} = 2.4\text{ V to }3.6\text{ V}$ , unless otherwise specified.

$T_{amb} = -40\text{ °C to }+85\text{ °C}$  for industrial,  $-40\text{ °C to }+125\text{ °C}$  for extended, unless otherwise specified.<sup>[1]</sup>

| Symbol        | Parameter                              | Conditions  | Variable clock |       | $f_{osc} = 12\text{ MHz}$ |       | Unit |
|---------------|--|---|----------------|-------|---------------------------|-------|------|
|               |  |   | Min            | Max   | Min                       | Max   |      |
| $f_{osc(RC)}$ | internal RC oscillator frequency       | nominal<br>$f = 7.3728\text{ MHz}$ ;<br>trimmed to $\pm 1\%$<br>at $T_{amb} = 25\text{ °C}$ | 7.189          | 7.557 | 7.189                     | 7.557 | MHz  |
| $f_{osc(WD)}$ | internal watchdog oscillator frequency | nominal<br>$f = 400\text{ kHz}$   | 320            | 520   | 320                       | 520   | kHz  |

### Crystal oscillator (P89LPC912, P89LPC913)

|               |                                  |                               |    |    |   |   |     |
|---------------|----------------------------------|-------------------------------|----|----|---|---|-----|
| $f_{osc}$     | oscillator frequency             |                               | 0  | 12 | - | - | MHz |
| $T_{cy(clk)}$ | clock cycle time                 | see <a href="#">Figure 25</a> | 83 | -  | - | - | ns  |
| $f_{CLKLP}$   | low-power select clock frequency |                               | 0  | 8  | - | - | MHz |

### Glitch filter

|          |                   |                                       |     |    |     |    |    |
|----------|-------------------|---------------------------------------|-----|----|-----|----|----|
| $t_{gr}$ | glitch rejection  | P1.5/ $\overline{RST}$ pin            | -   | 50 | -   | 50 | ns |
|          |                   | any pin except P1.5/ $\overline{RST}$ | -   | 15 | -   | 15 | ns |
| $t_{sa}$ | signal acceptance | P1.5/ $\overline{RST}$ pin            | 125 | -  | 125 | -  | ns |
|          |                   | any pin except P1.5/ $\overline{RST}$ | 50  | -  | 50  | -  | ns |

### External clock (P89LPC912, P89LPC913)

|            |                 |                               |    |                          |    |   |    |
|------------|-----------------|-------------------------------|----|--------------------------|----|---|----|
| $t_{CHCX}$ | clock HIGH time | see <a href="#">Figure 25</a> | 33 | $T_{cy(clk)} - t_{CLCX}$ | 33 | - | ns |
| $t_{CLCX}$ | clock LOW time  | see <a href="#">Figure 25</a> | 33 | $T_{cy(clk)} - t_{CHCX}$ | 33 | - | ns |
| $t_{CLCH}$ | clock rise time | see <a href="#">Figure 25</a> | -  | 8                        | -  | 8 | ns |
| $t_{CHCL}$ | clock fall time | see <a href="#">Figure 25</a> | -  | 8                        | -  | 8 | ns |

### Shift register (UART mode 0 - P89LPC913, P89LPC914)

|            |  |                               |                 |                    |      |     |    |
|------------|--|-------------------------------|-----------------|--------------------|------|-----|----|
| $T_{XLXL}$ | serial port clock cycle time             | see <a href="#">Figure 24</a> | $16T_{cy(clk)}$ | -                  | 1333 | -   | ns |
| $t_{QVXH}$ | output data set-up to clock rising edge  | see <a href="#">Figure 24</a> | $13T_{cy(clk)}$ | -                  | 1083 | -   | ns |
| $t_{XHQX}$ | output data hold after clock rising edge | see <a href="#">Figure 24</a> | -               | $T_{cy(clk)} + 20$ | -    | 103 | ns |
| $t_{XHDX}$ | input data hold after clock rising edge  | see <a href="#">Figure 24</a> | -               | 0                  | -    | 0   | ns |
| $t_{XHDX}$ | input data valid to clock rising edge    | see <a href="#">Figure 24</a> | 150             | -                  | 150  | -   | ns |

### SPI interface

|              |                         |   |          |          |     |     |     |
|--------------|-------------------------|---|----------|----------|-----|-----|-----|
| $f_{SPI}$    | SPI operating frequency |   |          |          |     |     |     |
|              | 2.0 MHz (slave)         |   | 0        | $CCLK/6$ | 0   | 2.0 | MHz |
|              | 3.0 MHz (master)        |   | -        | $CCLK/4$ | -   | 3.0 | MHz |
| $T_{SPICYC}$ | SPI cycle time          | see <a href="#">Figure 26</a> ,<br><a href="#">27</a> , <a href="#">28</a> , <a href="#">29</a> |          |          |     |     |     |
|              | slave                   |   | $6/CCLK$ | -        | 500 | -   | ns  |
|              | master                  |   | $4/CCLK$ | -        | 333 | -   | ns  |

**Table 14. Dynamic characteristics ...continued**

$V_{DD} = 2.4\text{ V to }3.6\text{ V}$ , unless otherwise specified.

$T_{amb} = -40\text{ }^{\circ}\text{C to }+85\text{ }^{\circ}\text{C}$  for industrial,  $-40\text{ }^{\circ}\text{C to }+125\text{ }^{\circ}\text{C}$  for extended, unless otherwise specified.<sup>[1]</sup>

| Symbol               | Parameter   | Conditions  | Variable clock   |      | $f_{osc} = 12\text{ MHz}$ |      | Unit |
|----------------------|---|---|------------------|------|---------------------------|------|------|
|                      |   |   | Min              | Max  | Min                       | Max  |      |
| t <sub>SPILEAD</sub> | SPI enable lead time                              | see <a href="#">Figure 28</a> ,<br><a href="#">29</a>   | 250              | -    | 250                       | -    | ns   |
|                      | slave   |   |                  |      |                           |      |      |
| t <sub>SPILAG</sub>  | SPI enable lag time                               | see <a href="#">Figure 28</a> ,<br><a href="#">29</a>   | 250              | -    | 250                       | -    | ns   |
|                      | slave   |   |                  |      |                           |      |      |
| t <sub>SPICLKH</sub> | SPICLK HIGH time                                  | see <a href="#">Figure 26</a> ,<br><a href="#">27</a> , <a href="#">28</a> , <a href="#">29</a> | $\frac{2}{CCLK}$ | -    | 165                       | -    | ns   |
|                      | master  |   |                  |      |                           |      |      |
| t <sub>SPICLKL</sub> | SPICLK LOW time                                   | see <a href="#">Figure 26</a> ,<br><a href="#">27</a> , <a href="#">28</a> , <a href="#">29</a> | $\frac{3}{CCLK}$ | -    | 250                       | -    | ns   |
|                      | slave   |   |                  |      |                           |      |      |
| t <sub>SPICLS</sub>  | SPICLK LOW time                                   | see <a href="#">Figure 26</a> ,<br><a href="#">27</a> , <a href="#">28</a> , <a href="#">29</a> | $\frac{2}{CCLK}$ | -    | 165                       | -    | ns   |
| t <sub>SPICLS</sub>  | SPICLK LOW time                                   | see <a href="#">Figure 26</a> ,<br><a href="#">27</a> , <a href="#">28</a> , <a href="#">29</a> | $\frac{3}{CCLK}$ | -    | 250                       | -    | ns   |
| t <sub>SPI DSU</sub> | SPI data set-up time                              | see <a href="#">Figure 26</a> ,<br><a href="#">27</a> , <a href="#">28</a> , <a href="#">29</a> | 100              | -    | 100                       | -    | ns   |
| t <sub>SPI DH</sub>  | SPI data hold time                                | see <a href="#">Figure 26</a> ,<br><a href="#">27</a> , <a href="#">28</a> , <a href="#">29</a> | 100              | -    | 100                       | -    | ns   |
| t <sub>SPIA</sub>    | SPI access time                                   | see <a href="#">Figure 28</a> ,<br><a href="#">29</a>   | 0                | 120  | 0                         | 120  | ns   |
|                      | slave   |   |                  |      |                           |      |      |
| t <sub>SPI DIS</sub> | SPI disable time                                  | see <a href="#">Figure 28</a> ,<br><a href="#">29</a>   | 0                | 240  | -                         | 240  | ns   |
|                      | slave   |   |                  |      |                           |      |      |
| t <sub>SPI DV</sub>  | SPI enable to output data valid time              | see <a href="#">Figure 26</a> ,<br><a href="#">27</a> , <a href="#">28</a> , <a href="#">29</a> | -                | 240  | -                         | 240  | ns   |
|                      | slave   |   |                  |      |                           |      |      |
| t <sub>SPI DV</sub>  | SPI enable to output data valid time              | see <a href="#">Figure 26</a> ,<br><a href="#">27</a> , <a href="#">28</a> , <a href="#">29</a> | -                | 167  | -                         | 167  | ns   |
|                      | master  |   |                  |      |                           |      |      |
| t <sub>SPI OH</sub>  | SPI output data hold time                         | see <a href="#">Figure 26</a> ,<br><a href="#">27</a> , <a href="#">28</a> , <a href="#">29</a> | 0                | -    | 0                         | -    | ns   |
| t <sub>SPI R</sub>   | SPI rise time                                     | see <a href="#">Figure 26</a> ,<br><a href="#">27</a> , <a href="#">28</a> , <a href="#">29</a> | -                | 100  | -                         | 100  | ns   |
|                      | SPI outputs (SPICLK, MOSI, MISO)                  |   |                  |      |                           |      |      |
| t <sub>SPI R</sub>   | SPI rise time                                     | see <a href="#">Figure 26</a> ,<br><a href="#">27</a> , <a href="#">28</a> , <a href="#">29</a> | -                | 2000 | -                         | 2000 | ns   |
|                      | SPI inputs (SPICLK, MOSI, MISO, $\overline{SS}$ ) |   |                  |      |                           |      |      |
| t <sub>SPI F</sub>   | SPI fall time                                     | see <a href="#">Figure 26</a> ,<br><a href="#">27</a> , <a href="#">28</a> , <a href="#">29</a> | -                | 100  | -                         | 100  | ns   |
|                      | SPI outputs (SPICLK, MOSI, MISO)                  |   |                  |      |                           |      |      |
| t <sub>SPI F</sub>   | SPI fall time                                     | see <a href="#">Figure 26</a> ,<br><a href="#">27</a> , <a href="#">28</a> , <a href="#">29</a> | -                | 2000 | -                         | 2000 | ns   |
|                      | SPI inputs (SPICLK, MOSI, MISO, $\overline{SS}$ ) |   |                  |      |                           |      |      |

[1] Parameters are valid over operating temperature range unless otherwise specified. Parts are tested to 2 MHz, but are guaranteed to operate down to 0 Hz.

**Table 15. Dynamic characteristics (P89LPC912, P89LPC913)**

$V_{DD} = 3.0\text{ V to }3.6\text{ V}$ , unless otherwise specified.

$T_{amb} = -40\text{ °C to }+85\text{ °C}$  for industrial,  $-40\text{ °C to }+125\text{ °C}$  for extended, unless otherwise specified.<sup>[1]</sup>

| Symbol        | Parameter                              | Conditions  | Variable clock |       | $f_{osc} = 18\text{ MHz}$ |       | Unit |
|---------------|--|---|----------------|-------|---------------------------|-------|------|
|               |  |   | Min            | Max   | Min                       | Max   |      |
| $f_{osc(RC)}$ | internal RC oscillator frequency       | nominal<br>$f = 7.3728\text{ MHz}$<br>trimmed to $\pm 1\%$<br>at $T_{amb} = 25\text{ °C}$ | 7.189          | 7.557 | 7.189                     | 7.557 | MHz  |
| $f_{osc(WD)}$ | internal watchdog oscillator frequency | nominal<br>$f = 400\text{ kHz}$   | 320            | 520   | 320                       | 520   | kHz  |

### Crystal oscillator

|               |                                  |                               |    |    |   |   |     |
|---------------|----------------------------------|-------------------------------|----|----|---|---|-----|
| $f_{osc}$     | oscillator frequency             | <a href="#">[2]</a>           | 0  | 18 | - | - | MHz |
| $T_{cy(clk)}$ | clock cycle time                 | see <a href="#">Figure 25</a> | 55 | -  | - | - | ns  |
| $f_{CLKLP}$   | low-power select clock frequency |                               | 0  | 8  | - | - | MHz |

### Glitch filter

|          |                   |                                       |     |    |     |    |    |
|----------|-------------------|---------------------------------------|-----|----|-----|----|----|
| $t_{gr}$ | glitch rejection  | P1.5/ $\overline{RST}$ pin            | -   | 50 | -   | 50 | ns |
|          |                   | any pin except P1.5/ $\overline{RST}$ | -   | 15 | -   | 15 | ns |
| $t_{sa}$ | signal acceptance | P1.5/ $\overline{RST}$ pin            | 125 | -  | 125 | -  | ns |
|          |                   | any pin except P1.5/ $\overline{RST}$ | 50  | -  | 50  | -  | ns |

### External clock

|            |                 |                               |    |                          |    |   |    |
|------------|-----------------|-------------------------------|----|--------------------------|----|---|----|
| $t_{CHCX}$ | clock HIGH time | see <a href="#">Figure 25</a> | 22 | $T_{cy(clk)} - t_{CLCX}$ | 22 | - | ns |
| $t_{CLCX}$ | clock LOW time  | see <a href="#">Figure 25</a> | 22 | $T_{cy(clk)} - t_{CHCX}$ | 22 | - | ns |
| $t_{CLCH}$ | clock rise time | see <a href="#">Figure 25</a> | -  | 5                        | -  | 5 | ns |
| $t_{CHCL}$ | clock fall time | see <a href="#">Figure 25</a> | -  | 5                        | -  | 5 | ns |

### SPI interface

|              |                         |   |          |          |     |     |     |
|--------------|-------------------------|---|----------|----------|-----|-----|-----|
| $f_{SPI}$    | SPI operating frequency |   |          |          |     |     |     |
|              | 3.0 MHz (slave)         |   | 0        | $CCLK/6$ | 0   | 3   | MHz |
|              | 4.5 MHz (master)        |   | -        | $CCLK/4$ | -   | 4.5 | MHz |
| $T_{SPICYC}$ | SPI cycle time          | see <a href="#">Figure 26</a> ,<br><a href="#">27</a> , <a href="#">28</a> , <a href="#">29</a> |          |          |     |     |     |
|              | slave                   |   | $6/CCLK$ | -        | 333 | -   | ns  |
|              | master                  |   | $4/CCLK$ | -        | 222 | -   | ns  |

**Table 15. Dynamic characteristics (P89LPC912, P89LPC913) ...continued**

$V_{DD} = 3.0\text{ V to }3.6\text{ V}$ , unless otherwise specified.

$T_{amb} = -40\text{ °C to }+85\text{ °C}$  for industrial,  $-40\text{ °C to }+125\text{ °C}$  for extended, unless otherwise specified.<sup>[1]</sup>

| Symbol               | Parameter   | Conditions  | Variable clock     |      | f <sub>osc</sub> = 18 MHz |      | Unit |
|----------------------|---|---|--------------------|------|---------------------------|------|------|
|                      |   |   | Min                | Max  | Min                       | Max  |      |
| t <sub>SPILEAD</sub> | SPI enable lead time                              | see <a href="#">Figure 28</a> ,<br><a href="#">29</a>   |                    |      |                           |      |      |
|                      | slave   |   | 250                | -    | 250                       | -    | ns   |
| t <sub>SPILAG</sub>  | SPI enable lag time                               | see <a href="#">Figure 28</a> ,<br><a href="#">29</a>   |                    |      |                           |      |      |
|                      | slave   |   | 250                | -    | 250                       | -    | ns   |
| t <sub>SPICLKH</sub> | SPICLK HIGH time                                  | see <a href="#">Figure 26</a> ,<br><a href="#">27</a> , <a href="#">28</a> , <a href="#">29</a> |                    |      |                           |      |      |
|                      | master  |   | <sup>2</sup> /CCLK | -    | 111                       | -    | ns   |
|                      | slave   |   | <sup>3</sup> /CCLK | -    | 167                       | -    | ns   |
| t <sub>SPICLKL</sub> | SPICLK LOW time                                   | see <a href="#">Figure 26</a> ,<br><a href="#">27</a> , <a href="#">28</a> , <a href="#">29</a> |                    |      |                           |      |      |
|                      | master  |   | <sup>2</sup> /CCLK | -    | 111                       | -    | ns   |
|                      | slave   |   | <sup>3</sup> /CCLK | -    | 167                       | -    | ns   |
| t <sub>SPIDSU</sub>  | SPI data set-up time                              | see <a href="#">Figure 26</a> ,<br><a href="#">27</a> , <a href="#">28</a> , <a href="#">29</a> | 100                | -    | 100                       | -    | ns   |
| t <sub>SPIDH</sub>   | SPI data hold time                                | see <a href="#">Figure 26</a> ,<br><a href="#">27</a> , <a href="#">28</a> , <a href="#">29</a> | 100                | -    | 100                       | -    | ns   |
| t <sub>SPIA</sub>    | SPI access time                                   |   |                    |      |                           |      |      |
|                      | slave   | see <a href="#">Figure 28</a> ,<br><a href="#">29</a>   | 0                  | 80   | 0                         | 80   | ns   |
| t <sub>SPIDIS</sub>  | SPI disable time                                  | see <a href="#">Figure 28</a> ,<br><a href="#">29</a>   |                    |      |                           |      |      |
|                      | slave   |   | 0                  | 160  | -                         | 160  | ns   |
| t <sub>SPIDV</sub>   | SPI enable to output data valid time              | see <a href="#">Figure 26</a> ,<br><a href="#">27</a> , <a href="#">28</a> , <a href="#">29</a> |                    |      |                           |      |      |
|                      | slave   |   | 0                  | 160  | -                         | 160  | ns   |
|                      | master  |   | 0                  | 111  | -                         | 111  | ns   |
| t <sub>SPIOH</sub>   | SPI output data hold time                         | see <a href="#">Figure 26</a> ,<br><a href="#">27</a> , <a href="#">28</a> , <a href="#">29</a> | 0                  | -    | 0                         | -    | ns   |
| t <sub>SPIR</sub>    | SPI rise time                                     | see <a href="#">Figure 26</a> ,<br><a href="#">27</a> , <a href="#">28</a> , <a href="#">29</a> |                    |      |                           |      |      |
|                      | SPI outputs (SPICLK, MOSI, MISO)                  |   | -                  | 100  | -                         | 100  | ns   |
|                      | SPI inputs (SPICLK, MOSI, MISO, $\overline{SS}$ ) |   | -                  | 2000 | -                         | 2000 | ns   |





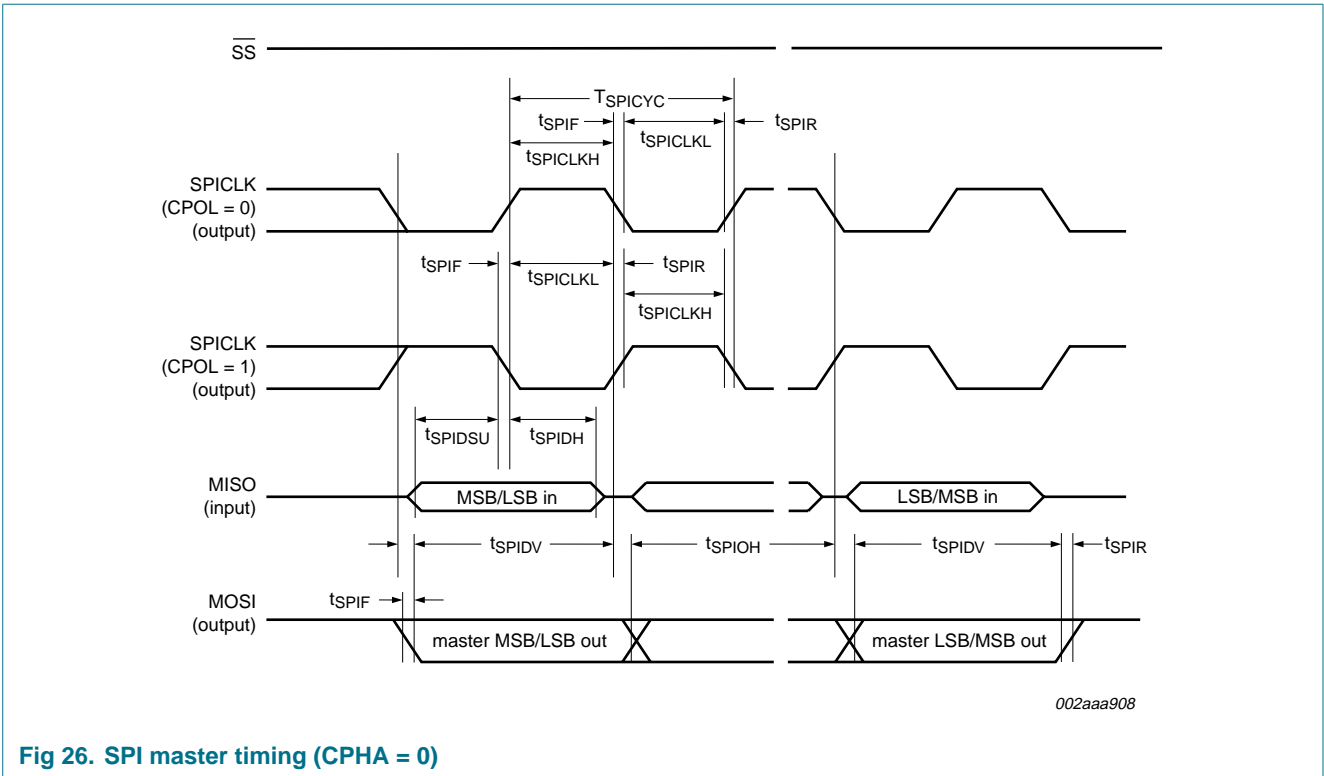


Fig 26. SPI master timing (CPHA = 0)

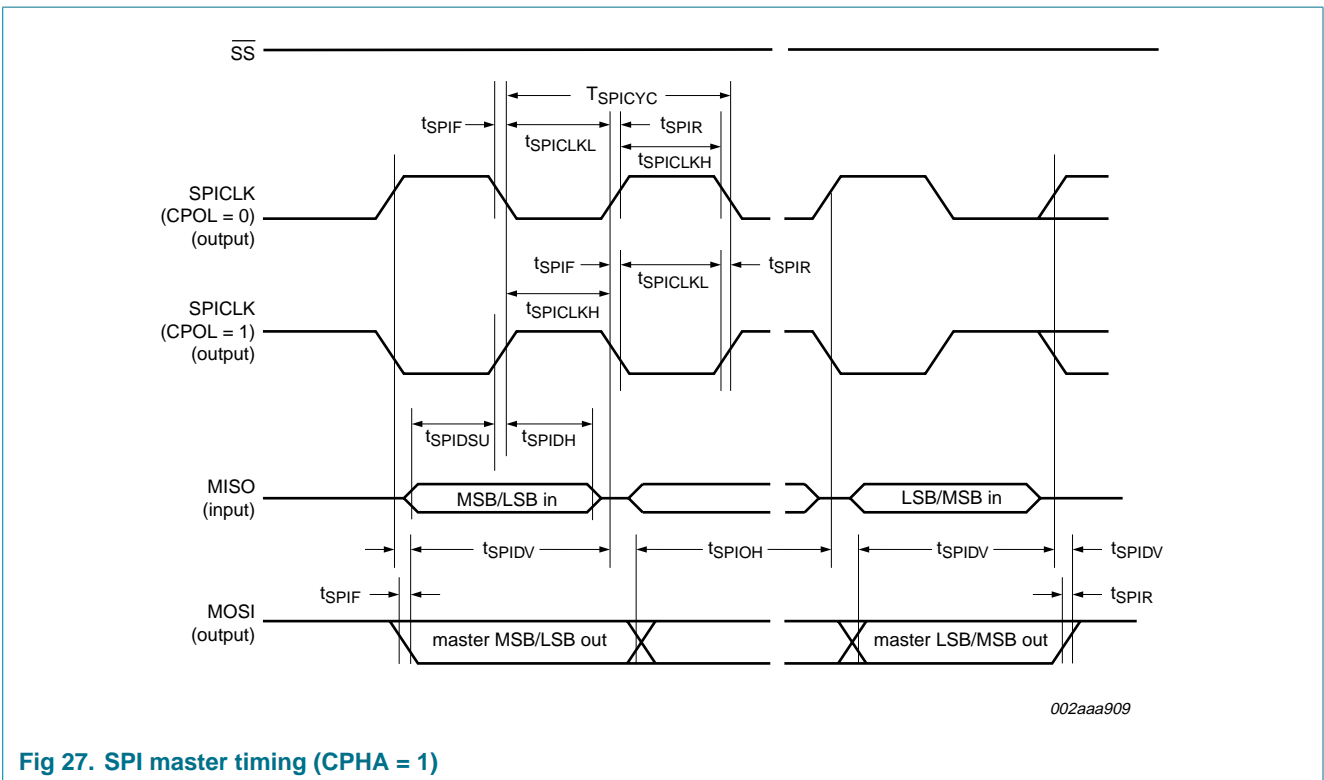


Fig 27. SPI master timing (CPHA = 1)

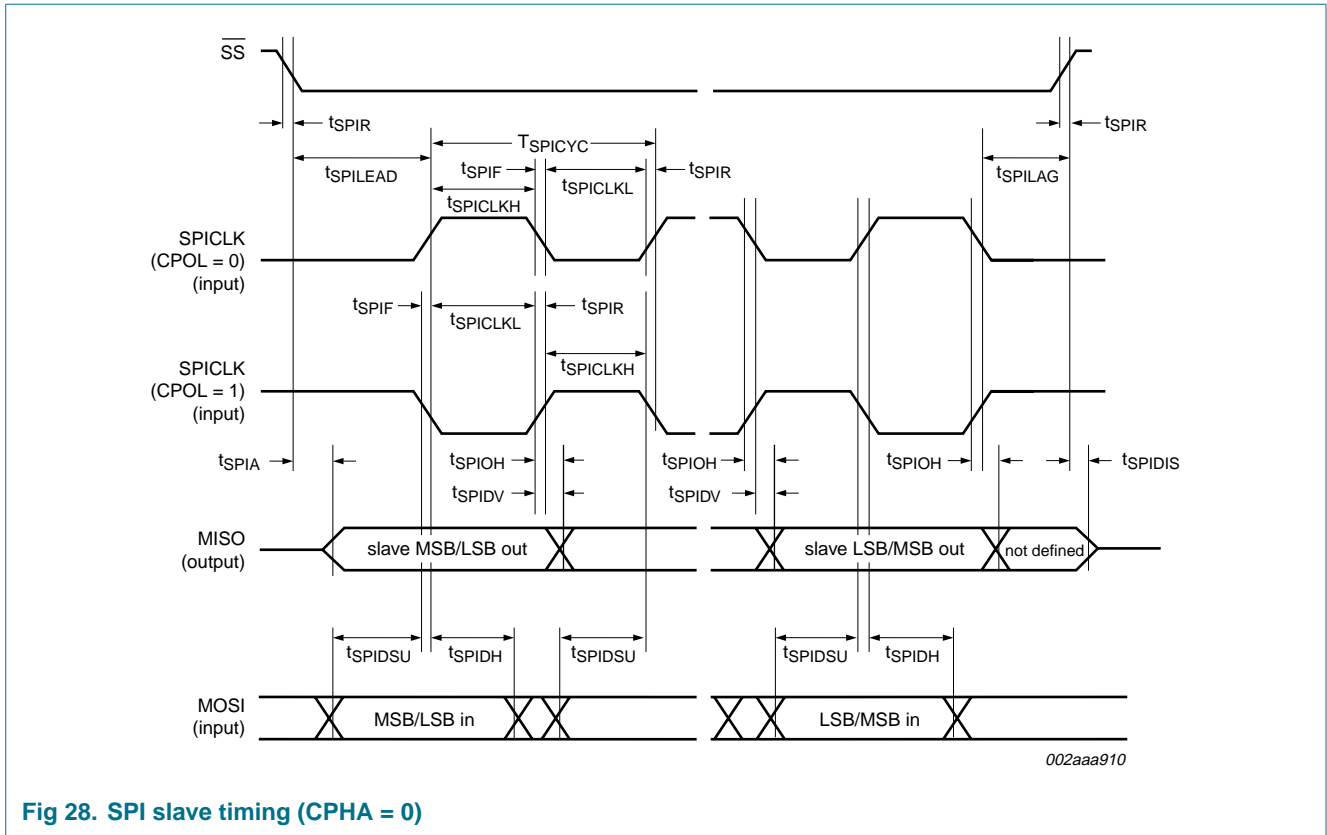


Fig 28. SPI slave timing (CPHA = 0)

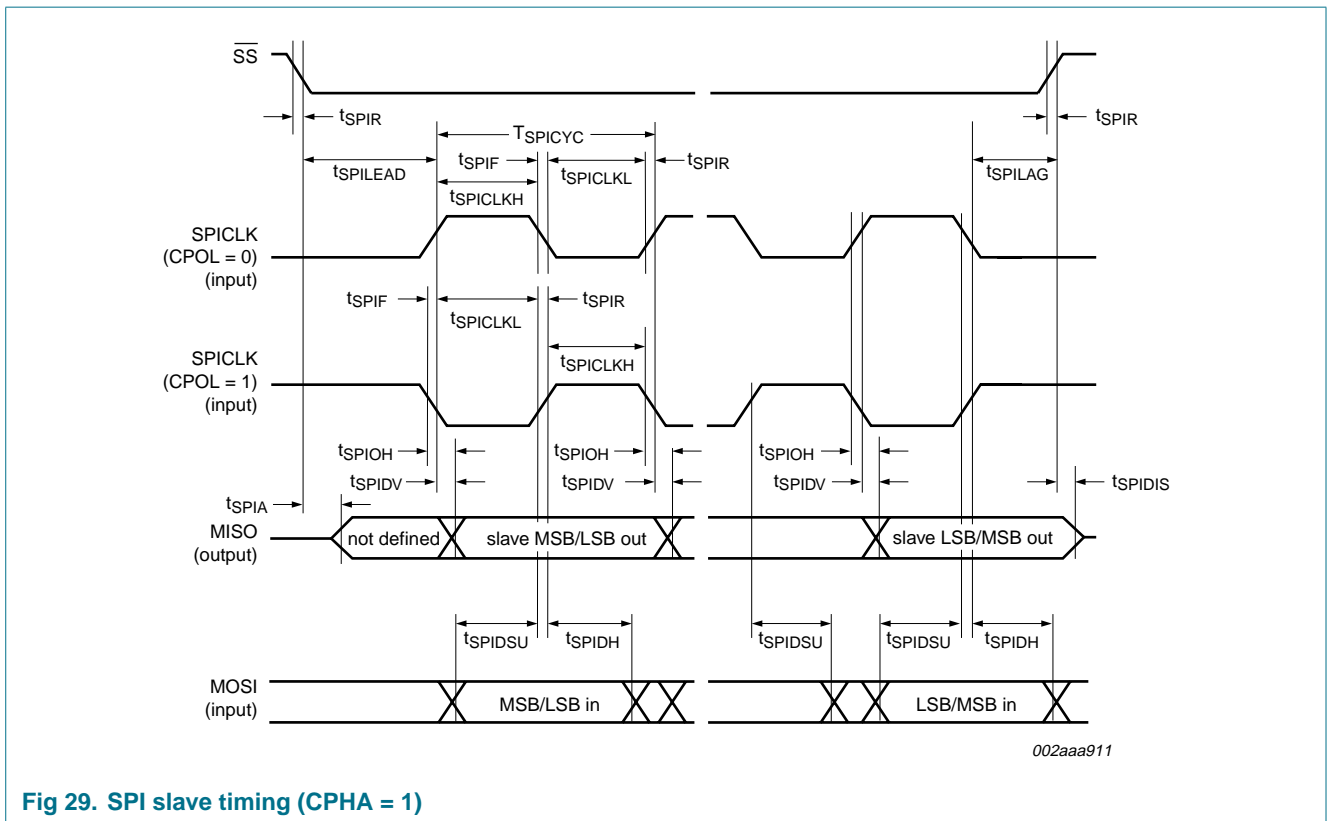


Fig 29. SPI slave timing (CPHA = 1)

## 12. Other characteristics

### 12.1 Comparator electrical characteristics

**Table 16. Comparator electrical characteristics**

$V_{DD} = 2.4\text{ V to }3.6\text{ V}$ , unless otherwise specified.

$T_{amb} = -40\text{ }^{\circ}\text{C to }+85\text{ }^{\circ}\text{C}$  for industrial,  $-40\text{ }^{\circ}\text{C to }+125\text{ }^{\circ}\text{C}$  for extended, unless otherwise specified.

| Symbol         | Parameter                        | Conditions                  | Min | Typ | Max            | Unit          |
|----------------|----------------------------------|-----------------------------|-----|-----|----------------|---------------|
| $V_{IO}$       | input offset voltage             |                             | -   | -   | $\pm 10$       | mV            |
| $V_{IC}$       | common-mode input voltage        |                             | 0   | -   | $V_{DD} - 0.3$ | V             |
| CMRR           | common-mode rejection ratio      |                             | [1] | -   | -50            | dB            |
| $t_{res(tot)}$ | total response time              |                             | -   | 250 | 500            | ns            |
| $t_{(CE-OV)}$  | chip enable to output valid time |                             | -   | -   | 10             | $\mu\text{s}$ |
| $I_{LI}$       | input leakage current            | $0\text{ V} < V_I < V_{DD}$ | -   | -   | $\pm 1$        | $\mu\text{A}$ |

[1] This parameter is characterized, but not tested in production.

13. Package outline

TSSOP14: plastic thin shrink small outline package; 14 leads; body width 4.4 mm

SOT402-1

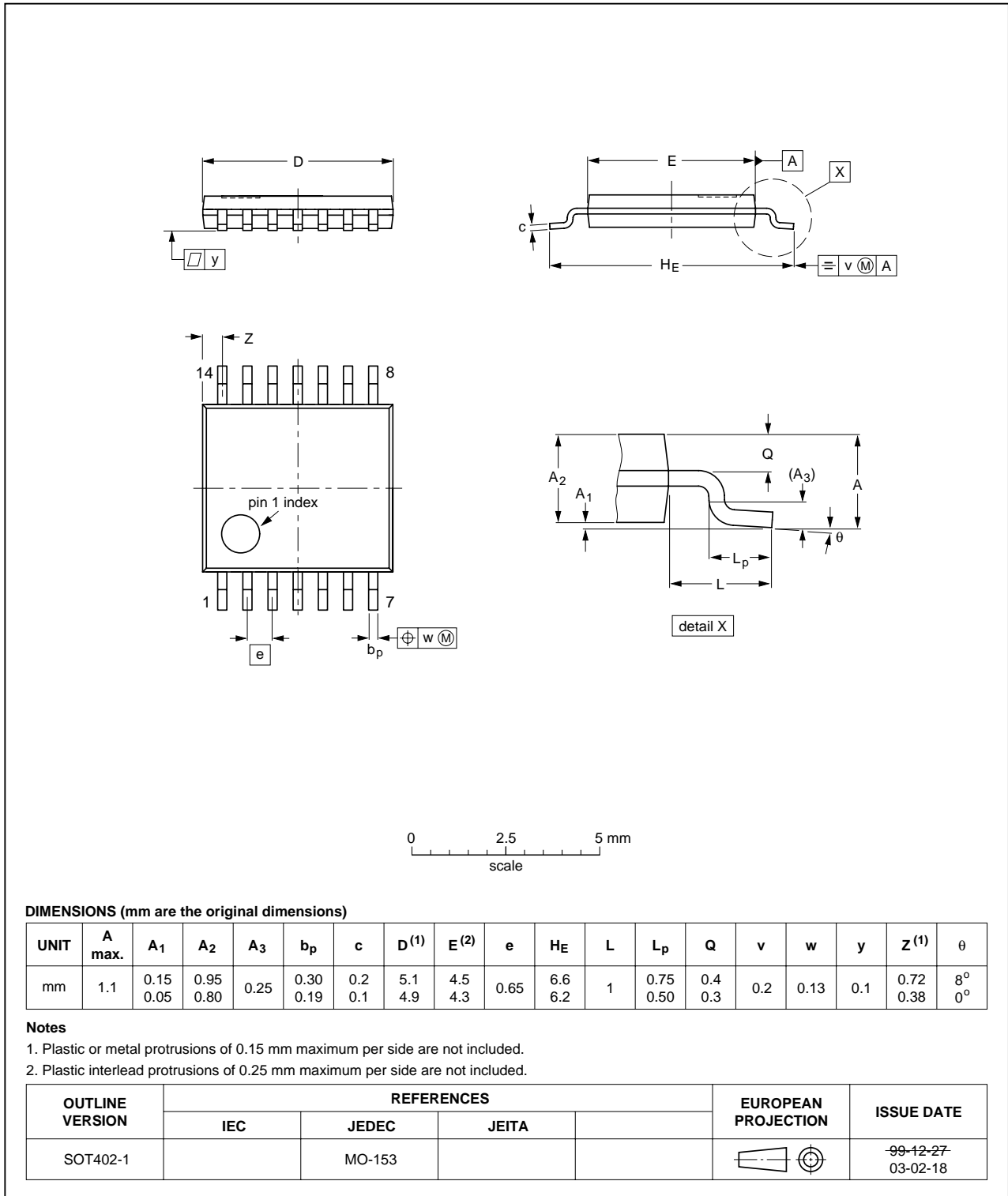


Fig 30. Package outline SOT402-1 (TSSOP14)

## 14. Abbreviations

Table 17. Acronym list

| Acronym | Description                                 |
|---------|---|
| CRC     | Cyclic Redundancy Check                     |
| EPROM   | Erasable Programmable Read-Only Memory      |
| EMI     | ElectroMagnetic Interference                |
| ISP     | In-System Programming                       |
| LSB     | Least Significant Bit                       |
| MSB     | Most Significant Bit                        |
| PWM     | Pulse Width Modulator                       |
| RC      | Resistance-Capacitance                      |
| RTC     | Real-Time Clock                             |
| SFR     | Special Function Register                   |
| SPI     | Serial Peripheral Interface                 |
| UART    | Universal Asynchronous Receiver/Transmitter |

## 15. Revision history

**Table 18. Revision history**

| Document ID          | Release date  | Data sheet status  | Change notice | Supersedes           |
|----------------------|---|--------------------|---------------|----------------------|
| P89LPC912_913_914_5  | 20070928  | Product data sheet | -             | P89LPC912_913_914_4  |
| Modifications:       | <ul style="list-style-type: none"> <li>• <a href="#">Figure 10</a>, <a href="#">11</a> and <a href="#">12</a>: changed incorrect character font</li> </ul>  |                    |               |                      |
| P89LPC912_913_914_4  | 20070830  | Product data sheet | -             | P89LPC912_913_914-03 |
| Modifications:       | <ul style="list-style-type: none"> <li>• The format of this data sheet has been redesigned to comply with the new identity guidelines of NXP Semiconductors.</li> <li>• Legal texts have been adapted to the new company name where appropriate.</li> <li>• Added P89LPC912HDH</li> </ul> |                    |               |                      |
| P89LPC912_913_914-03 | 20041217  | Product data       | -             | P89LPC912_913_914-02 |
| P89LPC912_913_914-02 | 20031212  | Product data       | 01-A14930     | P89LPC912_913_914-01 |
| P89LPC912_913_914-01 | 20030711  | Objective data     | -             | -                    |

## 16. Legal information

### 16.1 Data sheet status

| Document status <sup>[1][2]</sup> | Product status <sup>[3]</sup> | Definition  |
|-----------------------------------|-------------------------------|---|
| Objective [short] data sheet      | Development                   | This document contains data from the objective specification for product development. |
| Preliminary [short] data sheet    | Qualification                 | This document contains data from the preliminary specification.                       |
| Product [short] data sheet        | Production                    | This document contains the product specification.                                     |

[1] Please consult the most recently issued document before initiating or completing a design.

[2] The term 'short data sheet' is explained in section "Definitions".

[3] The product status of device(s) described in this document may have changed since this document was published and may differ in case of multiple devices. The latest product status information is available on the Internet at URL <http://www.nxp.com>.

### 16.2 Definitions

**Draft** — The document is a draft version only. The content is still under internal review and subject to formal approval, which may result in modifications or additions. NXP Semiconductors does not give any representations or warranties as to the accuracy or completeness of information included herein and shall have no liability for the consequences of use of such information.

**Short data sheet** — A short data sheet is an extract from a full data sheet with the same product type number(s) and title. A short data sheet is intended for quick reference only and should not be relied upon to contain detailed and full information. For detailed and full information see the relevant full data sheet, which is available on request via the local NXP Semiconductors sales office. In case of any inconsistency or conflict with the short data sheet, the full data sheet shall prevail.

### 16.3 Disclaimers

**General** — Information in this document is believed to be accurate and reliable. However, NXP Semiconductors does not give any representations or warranties, expressed or implied, as to the accuracy or completeness of such information and shall have no liability for the consequences of use of such information.

**Right to make changes** — NXP Semiconductors reserves the right to make changes to information published in this document, including without limitation specifications and product descriptions, at any time and without notice. This document supersedes and replaces all information supplied prior to the publication hereof.

**Suitability for use** — NXP Semiconductors products are not designed, authorized or warranted to be suitable for use in medical, military, aircraft, space or life support equipment, nor in applications where failure or

malfunction of a NXP Semiconductors product can reasonably be expected to result in personal injury, death or severe property or environmental damage. NXP Semiconductors accepts no liability for inclusion and/or use of NXP Semiconductors products in such equipment or applications and therefore such inclusion and/or use is at the customer's own risk.

**Applications** — Applications that are described herein for any of these products are for illustrative purposes only. NXP Semiconductors makes no representation or warranty that such applications will be suitable for the specified use without further testing or modification.

**Limiting values** — Stress above one or more limiting values (as defined in the Absolute Maximum Ratings System of IEC 60134) may cause permanent damage to the device. Limiting values are stress ratings only and operation of the device at these or any other conditions above those given in the Characteristics sections of this document is not implied. Exposure to limiting values for extended periods may affect device reliability.

**Terms and conditions of sale** — NXP Semiconductors products are sold subject to the general terms and conditions of commercial sale, as published at <http://www.nxp.com/profile/terms>, including those pertaining to warranty, intellectual property rights infringement and limitation of liability, unless explicitly otherwise agreed to in writing by NXP Semiconductors. In case of any inconsistency or conflict between information in this document and such terms and conditions, the latter will prevail.

**No offer to sell or license** — Nothing in this document may be interpreted or construed as an offer to sell products that is open for acceptance or the grant, conveyance or implication of any license under any copyrights, patents or other industrial or intellectual property rights.

### 16.4 Trademarks

Notice: All referenced brands, product names, service names and trademarks are the property of their respective owners.

## 17. Contact information

For additional information, please visit: <http://www.nxp.com>

For sales office addresses, send an email to: [salesaddresses@nxp.com](mailto:salesaddresses@nxp.com)



**18. Contents**

|          |   |           |         |  |    |
|----------|---|-----------|---------|--|----|
| <b>1</b> | <b>General description</b> . . . . .                  | <b>1</b>  | 8.14    | Power reduction modes  | 36 |
| <b>2</b> | <b>Features</b> . . . . .                             | <b>1</b>  | 8.14.1  | Idle mode  | 37 |
| 2.1      | Principal features                                    | 1         | 8.14.2  | Power-down mode  | 37 |
| 2.2      | Additional features                                   | 1         | 8.14.3  | Total Power-down mode  | 37 |
| <b>3</b> | <b>Product comparison</b> . . . . .                   | <b>3</b>  | 8.15    | Reset  | 37 |
| <b>4</b> | <b>Ordering information</b> . . . . .                 | <b>3</b>  | 8.16    | Timers/counters 0 and 1  | 38 |
| 4.1      | Ordering options                                      | 3         | 8.16.1  | Mode 0   | 38 |
| <b>5</b> | <b>Block diagram</b> . . . . .                        | <b>4</b>  | 8.16.2  | Mode 1   | 38 |
| <b>6</b> | <b>Functional diagram</b> . . . . .                   | <b>7</b>  | 8.16.3  | Mode 2   | 38 |
| <b>7</b> | <b>Pinning information</b> . . . . .                  | <b>9</b>  | 8.16.4  | Mode 3   | 39 |
| 7.1      | Pinning   | 9         | 8.16.5  | Mode 6 (P89LPC912, P89LPC914)  | 39 |
| 7.2      | Pin description                                       | 10        | 8.16.6  | Timer overflow toggle output (P89LPC912, P89LPC914)                    | 39 |
| <b>8</b> | <b>Functional description</b> . . . . .               | <b>16</b> | 8.17    | RTC/system timer   | 39 |
| 8.1      | Special function registers                            | 16        | 8.18    | UART (P89LPC913, P89LPC914)  | 39 |
| 8.2      | Enhanced CPU  | 28        | 8.18.1  | Mode 0   | 39 |
| 8.3      | Clocks  | 28        | 8.18.2  | Mode 1   | 40 |
| 8.3.1    | Clock definitions                                     | 28        | 8.18.3  | Mode 2   | 40 |
| 8.3.2    | CPU clock (OSCCLK)                                    | 28        | 8.18.4  | Mode 3   | 40 |
| 8.3.3    | Low-speed oscillator option (P89LPC912, P89LPC913)    | 28        | 8.18.5  | Baud rate generator and selection                                      | 40 |
| 8.3.4    | Medium-speed oscillator option (P89LPC912, P89LPC913) | 28        | 8.18.6  | Framing error  | 40 |
| 8.3.5    | High-speed oscillator option (P89LPC912, P89LPC913)   | 28        | 8.18.7  | Break detect   | 41 |
| 8.3.6    | Clock output (P89LPC912, P89LPC913)                   | 29        | 8.18.8  | Double buffering   | 41 |
| 8.4      | On-chip RC oscillator option                          | 29        | 8.18.9  | Transmit interrupts with double buffering enabled (modes 1, 2 and 3)   | 41 |
| 8.5      | Watchdog oscillator option                            | 29        | 8.18.10 | The 9 <sup>th</sup> bit (bit 8) in double buffering (modes 1, 2 and 3) | 41 |
| 8.6      | External clock input option (P89LPC912, P89LPC913)    | 29        | 8.19    | Serial Peripheral Interface (SPI)                                      | 41 |
| 8.7      | CCLK wake-up delay                                    | 31        | 8.19.1  | Typical SPI configurations   | 43 |
| 8.8      | CCLK modification: DIVM register                      | 31        | 8.20    | Analog comparators   | 45 |
| 8.9      | Low power select                                      | 31        | 8.21    | Internal reference voltage   | 45 |
| 8.10     | Memory organization                                   | 31        | 8.22    | Comparator interrupt   | 45 |
| 8.11     | Interrupts  | 32        | 8.23    | Comparators and power reduction modes                                  | 46 |
| 8.11.1   | External interrupt inputs                             | 32        | 8.24    | Keypad interrupt   | 46 |
| 8.12     | I/O ports   | 33        | 8.25    | Watchdog timer   | 47 |
| 8.12.1   | Port configurations                                   | 34        | 8.26    | Additional features  | 48 |
| 8.12.2   | Quasi-bidirectional output configuration              | 34        | 8.26.1  | Software reset   | 48 |
| 8.12.3   | Open-drain output configuration                       | 35        | 8.26.2  | Dual data pointers   | 48 |
| 8.12.4   | Input-only configuration                              | 35        | 8.27    | Flash program memory   | 48 |
| 8.12.5   | Push-pull output configuration                        | 35        | 8.27.1  | General description  | 48 |
| 8.12.6   | Port 0 analog functions                               | 35        | 8.27.2  | Features   | 48 |
| 8.12.7   | Additional port features                              | 36        | 8.27.3  | Flash organization   | 48 |
| 8.13     | Power monitoring functions                            | 36        | 8.27.4  | Flash programming and erasing  | 49 |
| 8.13.1   | Brownout detection                                    | 36        | 8.27.5  | In-circuit programming   | 49 |
| 8.13.2   | Power-on detection                                    | 36        | 8.27.6  | In-application programming (IAP-Lite)                                  | 49 |
|          |   |           | 8.27.7  | Using flash as data storage  | 49 |
|          |   |           | 8.27.8  | User configuration bytes   | 49 |
|          |   |           | 8.27.9  | User sector security bytes   | 49 |

continued >>

|           |   |           |
|-----------|---|-----------|
| <b>9</b>  | <b>Limiting values</b> . . . . .                | <b>50</b> |
| <b>10</b> | <b>Static characteristics</b> . . . . .         | <b>51</b> |
| <b>11</b> | <b>Dynamic characteristics</b> . . . . .        | <b>53</b> |
| 11.1      | Waveforms . . . . .                             | 57        |
| <b>12</b> | <b>Other characteristics</b> . . . . .          | <b>60</b> |
| 12.1      | Comparator electrical characteristics . . . . . | 60        |
| <b>13</b> | <b>Package outline</b> . . . . .                | <b>61</b> |
| <b>14</b> | <b>Abbreviations</b> . . . . .                  | <b>62</b> |
| <b>15</b> | <b>Revision history</b> . . . . .               | <b>63</b> |
| <b>16</b> | <b>Legal information</b> . . . . .              | <b>64</b> |
| 16.1      | Data sheet status . . . . .                     | 64        |
| 16.2      | Definitions . . . . .                           | 64        |
| 16.3      | Disclaimers . . . . .                           | 64        |
| 16.4      | Trademarks . . . . .                            | 64        |
| <b>17</b> | <b>Contact information</b> . . . . .            | <b>64</b> |
| <b>18</b> | <b>Contents</b> . . . . .                       | <b>65</b> |

Please be aware that important notices concerning this document and the product(s) described herein, have been included in section 'Legal information'.



© NXP B.V. 2007.

All rights reserved.

For more information, please visit: <http://www.nxp.com>

For sales office addresses, please send an email to: [salesaddresses@nxp.com](mailto:salesaddresses@nxp.com)

Date of release: 28 September 2007

Document identifier: P89LPC912\_913\_914\_5