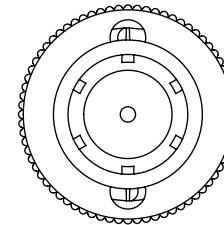
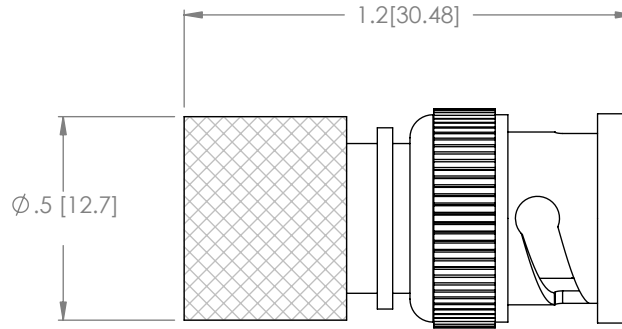
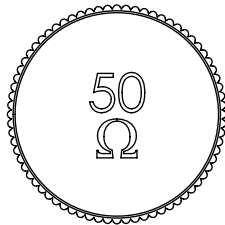


THE INFORMATION CONTAINED IN THIS DRAWING IS THE SOLE PROPERTY OF L-COM, INC. ANY REPRODUCTION IN PART OR WHOLE WITHOUT THE WRITTEN PERMISSION OF L-COM, INC. IS PROHIBITED.

REVISIONS			
REV	DESCRIPTION	DATE	CHANGED BY
A	RELEASED FOR PRODUCTION	11/02/03	MCCORMICK
B	REVISED TOLERANCES (ECN 1489)	09/08/03	MCCORMICK
C	INSULATOR WAS POLYPROPYLENE (ECN 1576)	11/03/03	MCCORMICK
D	ECN 3194: UPDATE DWG FORMAT	2/8/08	D.GRIFFIN



BNC PLUG

NOTES:

**MATERIALS:**  
SHELL: BRASS  
CONTACTS: BRASS  
INSULATOR: ACETAL

**FINISH:**  
SHELL: NICKEL  
CONTACT: GOLD

**ELECTRICAL:**  
CHARACTERISTIC IMPEDANCE: 50 OHM

**APPLICATION NOTES:**  
RESISTOR; 1/4 WATT CARBON FILM TYPE

**PACKAGING:**  
INDIVIDUALLY PACKAGE IN A POLYBAG

**RoHS Compliant** ✓

**L-com** 45 BEECHWOOD DRIVE  
CONNECTIVITY PRODUCTS NORTH ANDOVER, MA  
01845

UNLESS OTHERWISE SPECIFIED, DIMENSIONS ARE IN INCHES [mm] TOLERANCES TO BE: .X ±.1 [2.5] ANGLES ±2° .XX ±.01 [.25] .XXX ±.005 [.13] OVERALL CABLE LENGTH TOL: ≤ 60 [1524] +3 [76.2] / -0 > 60 [1524] +5% / -0% PROJ	APPROVALS	DATE	CATEGORY		
	DRAWN BY C.MCCORMICK	11/01/2001	COAXIAL		
	CHECKED BY D.PARHAM	11/01/2001	PRODUCT DESCRIPTION		
	APPROVED BY R.CARRICK	11/01/2001	50 OHM BNC TERMINATOR		
CONFIGURATION DETAILS OF UNDIMENSIONED FEATURES MAY VARY		SIZE <b>A</b>	FSCM NO. <b>43321</b>	DWG. NO. BTB5MD	REV. <b>D</b>
SCALE: NONE		CAD FILE: BTB5MD.SLDDRW		SHEET 1 OF 1	