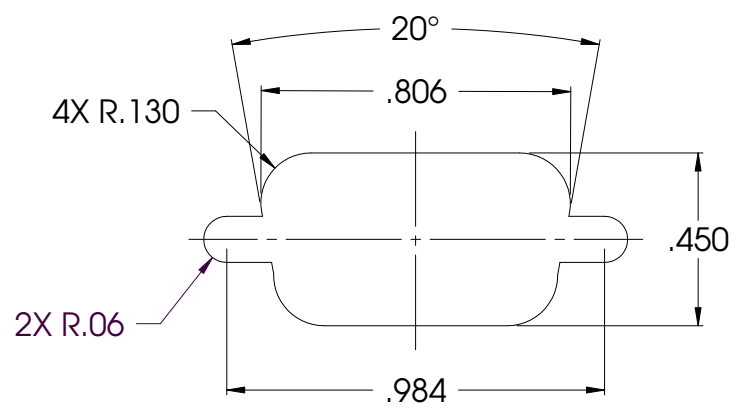
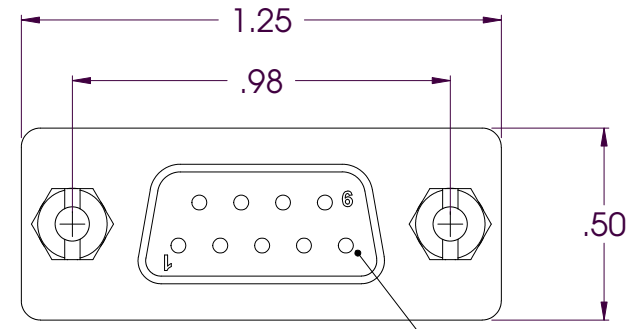
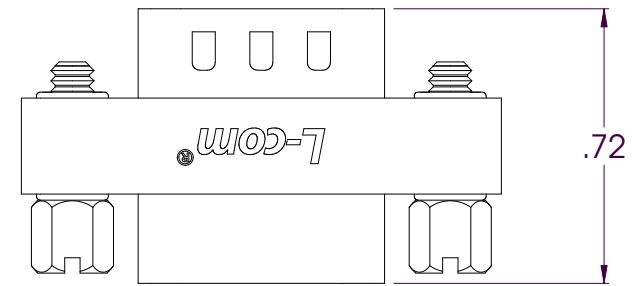


THE INFORMATION CONTAINED IN THIS DRAWING IS THE SOLE PROPERTY OF L-COM, INC. ANY REPRODUCTIONS IN PART OR WHOLE WITHOUT THE WRITTEN PERMISSION OF L-COM, INC. IS PROHIBITED.

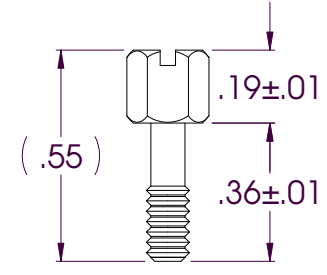
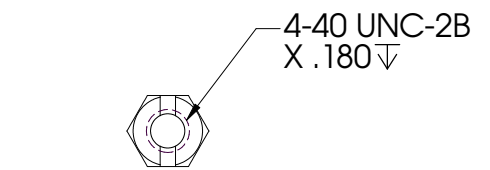
REVISIONS			
REV	DESCRIPTION	DATE	APPROVED
D	REVISED ELECTRICAL SPECS (ECN# 1311)	02/21/03	MCCORMICK
E	ECN #1613 - ADDED COMPONENT SPECIFICATION TABLE	12/10/03	B.MAZEJKA
F	ECN #1630 - CHG'D COMPONENT SPECIFICATION TABLE	01/05/04	B.MAZEJKA
G	ECN #1660 - CHG'D LABEL'G NOTE: FROM GND'R CHGR - TO SOCKET SAVER	02-06-04	B.MAZEJKA



RECOMMENDED PANEL OPENING
(MAX PANEL THICKNESS: 0.06")



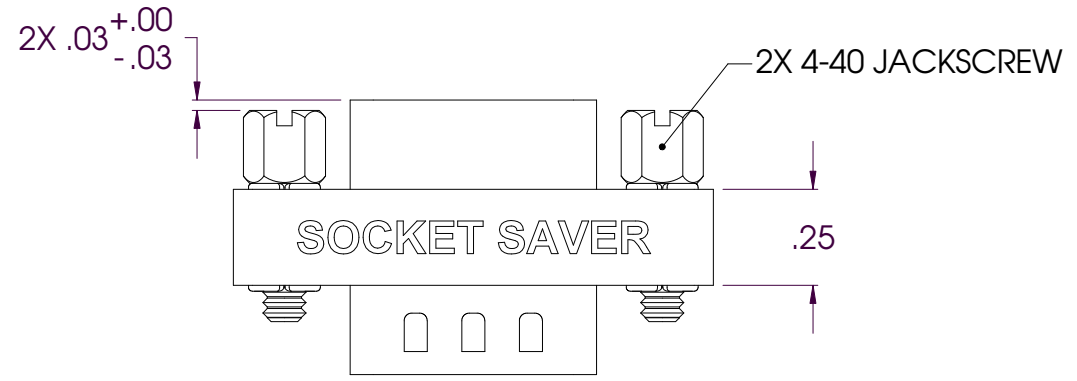
FEMALE, 9 PIN
D-SUB CONNECTOR



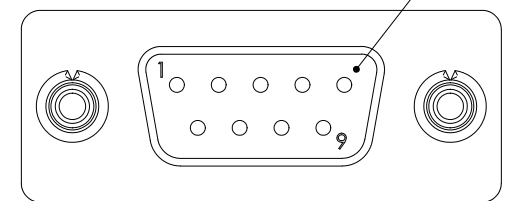
JACKSCREW
SPECIFICATION

APPLICATION NOTES:
ALL PINS WIRED STRAIGHT THROUGH

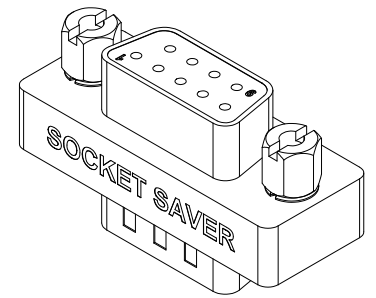
LABELING:
PANTONE 2945 BLUE. "L-COM" FONT MyriadMM ITALIC.
"SOCKET SAVER" FONT ARIAL BOLD, TEXT HEIGHTS; .085"
TEXT COLOR; WHITE.



2X 4-40 JACKSCREW



MALE, 9 PIN
D-SUB CONNECTOR



Component Specifications	
Material	
Shell	Steel
Contacts/Terminals	Copper Alloy
Hardware	Brass
Insulator	PBT Fiber Reinforced (UL 94V-0 Rated)
Finish	
Shell	Tin/Nickel Plated
Contacts/Terminals	Gold Flash Plated: 1 - 1.5µ inches
Hardware	Nickel Plated
Electrical	
Current Rating	3 AMP
Insulation Resistance	1000 MΩ Min @ 500 VDC
Dielectric Withstanding Voltage	1000 VAC (for One minute)
Environmental	
Operational Temperature Range	-55°C to +105°C

CS-131

UNLESS OTHERWISE SPECIFIED
DIMENSIONS ARE IN INCHES
TOLERANCES ARE:
.X ±.1
.XX ±.05
.XXX ±.005
CABLE LENGTH TOLERANCE
<300" ±5% >300" ±2%

APPROVALS	DATE
DRAWN BY R.CARRICK	09/28/2002
CHECKED BY T.CLARK	09/28/2002
APPROVED BY D.PARHAM	09/28/02

L-com 45 BEECHWOOD DRIVE
CONNECTIVITY PRODUCTS NORTH ANDOVER, MA
01845

PRODUCT DESCRIPTION
SOCKET SAVER, DB9 MALE/FEMALE

DRAWING TITLE
OUTLINE DRAWING

SIZE	FSCM NO.	DWG. NO.	REV.
B	43321	DGB9MF-OD1	G

SCALE: 2:1 CAD FILE: DGB9MF-OD1.SLDDRW SHEET 1 OF 1