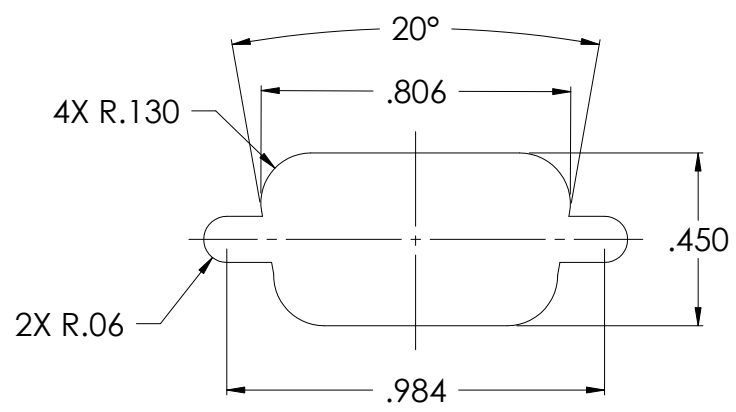


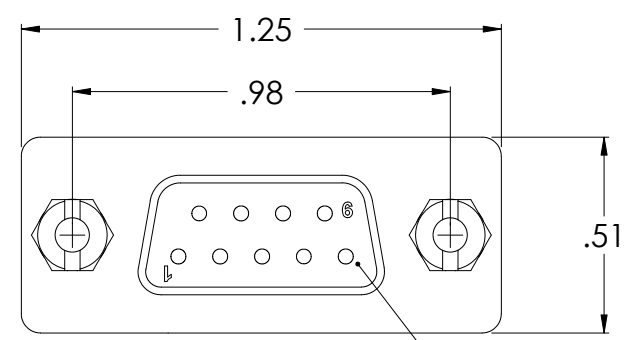
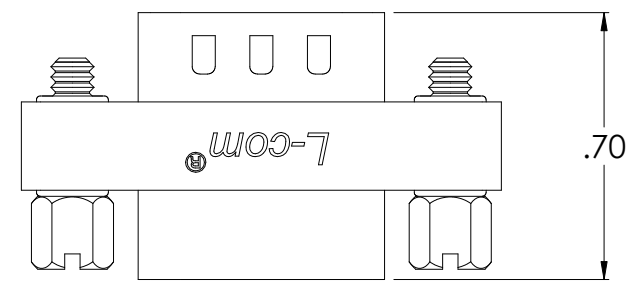
THE INFORMATION CONTAINED IN THIS DRAWING IS THE SOLE PROPERTY OF L-COM, INC. ANY REPRODUCTIONS IN PART OR WHOLE WITHOUT THE WRITTEN PERMISSION OF L-COM, INC. IS PROHIBITED.

REVISIONS			
REV	DESCRIPTION	DATE	APPROVED
A	RELEASED FOR PRODUCTION	02/16/01	MCCORMICK
B	ECN 1781 DRAWING UPDATE	06/30/04	MCCORMICK

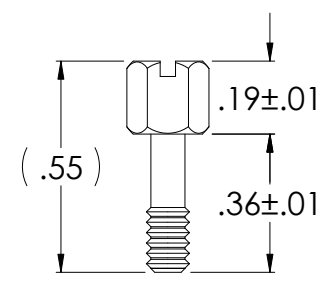
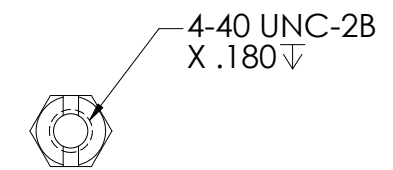


RECOMMENDED PANEL OPENING
(MAX PANEL THICKNESS: 0.06")

DB9F	DB9M
PIN 1&6	PIN 4
PIN 2	PIN 3
PIN 3	PIN 2
PIN 4	PIN 1&6
PIN 5	PIN 5
PIN 7	PIN 8
PIN 8	PIN 7
N/C	N/C

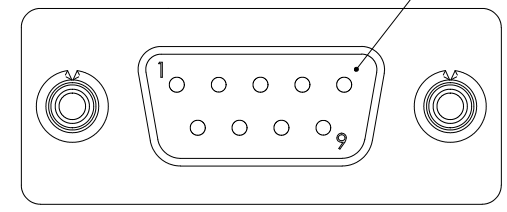
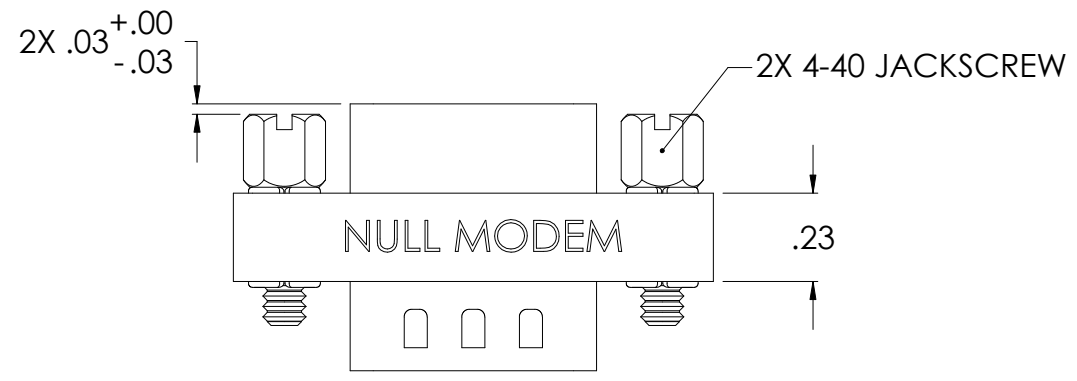


FEMALE, 9 PIN
D-SUB CONNECTOR

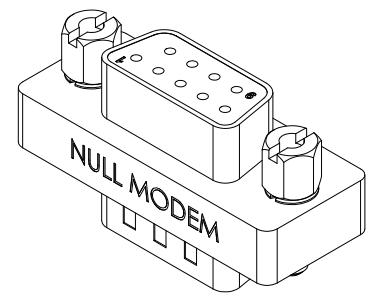


JACKSCREW
SPECIFICATION

LABELING:
PANTONE 2945 BLUE. "L-COM" FONT MyriaMM ITALIC.
"NULL MODEM" FONT ARIAL BOLD, TEXT HEIGHTS; .085"
TEXT COLOR; WHITE.



MALE, 9 PIN
D-SUB CONNECTOR



Component Specifications	
Material	
Shell	Steel
Contacts/Terminals	Copper Alloy
Hardware	Brass
Insulator	PBT Fiber Reinforced (UL 94V-0 Rated)
Finish	
Shell	Tin/Nickel Plated
Contacts/Terminals	Gold Flash Plated: 1 - 1.5µ inches
Hardware	Nickel Plated
Electrical	
Current Rating	3 AMP
Insulation Resistance	1000 MΩ Min @ 500 VDC
Dielectric Withstanding Voltage	1000 VAC (for One minute)
Environmental	
Operational Temperature Range	-55°C to +105°C

CS-131

UNLESS OTHERWISE SPECIFIED
DIMENSIONS ARE IN INCHES
TOLERANCES ARE:
.X ±.1
.XX ±.05
.XXX ±.005
CABLE LENGTH TOLERANCE
<300" ±5% >300" ±2%

APPROVALS	DATE
DRAWN BY C.MCCORMICK	02/12/2001
CHECKED BY D.PARHAM	02/12/2001
APPROVED BY R.CARRICK	02/12/2001

L-com 45 BEECHWOOD DRIVE
CONNECTIVITY PRODUCTS NORTH ANDOVER, MA
01845

PRODUCT DESCRIPTION
NULL MODEM, DB9 MALE/FEMALE
DRAWING TITLE

OUTLINE DRAWING

SIZE	FSCM NO.	DWG. NO.	REV.
B	43321	DMA060MF-OD1	B

SCALE: 2:1 CAD FILE: DMA060MF-OD1.SLDRW SHEET 1 OF 1