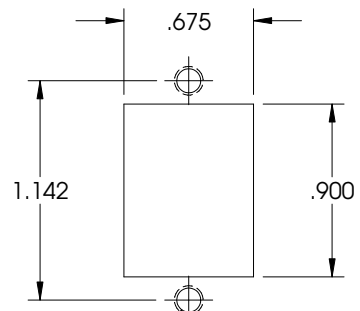


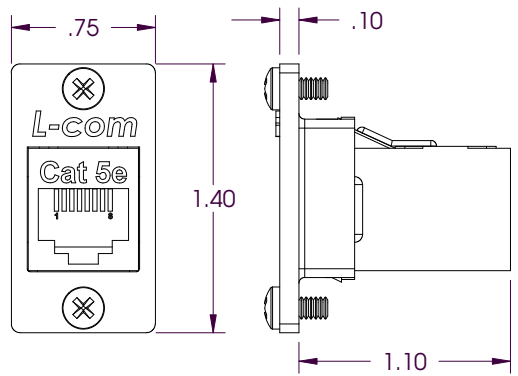
THE INFORMATION CONTAINED IN THIS DRAWING IS THE SOLE PROPERTY OF L-COM, INC. ANY REPRODUCTION IN PART OR WHOLE WITHOUT THE WRITTEN PERMISSION OF L-COM, INC. IS PROHIBITED.

REVISIONS			
REV	DESCRIPTION	DATE	APPROVED
A	INITIAL RELEASE	4/13/04	D. PARHAM
B	ECN#2427: ADDED KIT CONTENTS	05/30/06	D. PARHAM

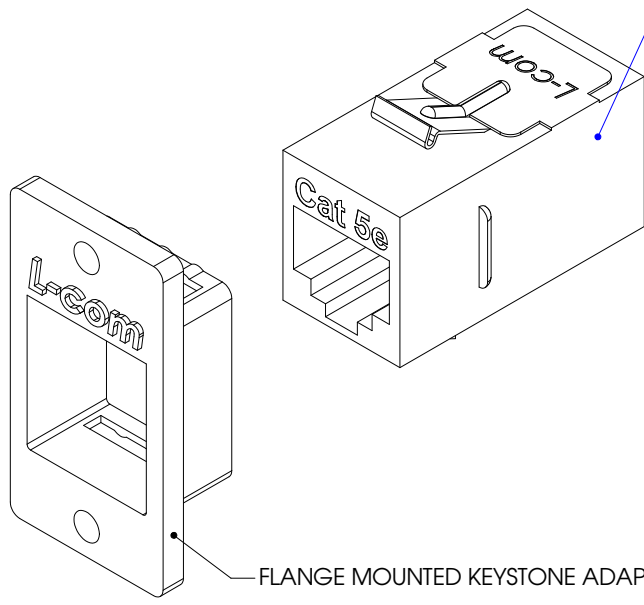


2X 4-40 UNC-2B THRU

**RECOMMENDED
PANEL OPENING**

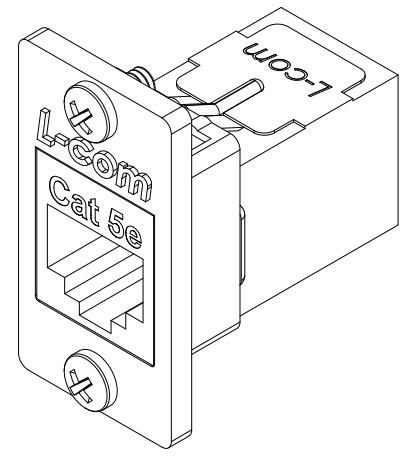


CAT 5E - SHIELDED RJ45 KEYSTONE FEED-THRU COUPLER
(L-COM P/N: TDG1026KS-C5E)



FLANGE MOUNTED KEYSTONE ADAPTOR

2X 4-40UNC-2A X 1/4" LONG



KIT SHOWN FULLY ASSEMBLED FOR CLARITY
(KIT IS SHIPPED UN-ASSEMBLED)

- △ KIT INCLUDES:**
- 1- SHIELDED COUPLER
 - 1- FLANGE ADAPTOR
 - 1- PACKAGE MOUNTING SCREWS (4-40x 1/4")

Component Specifications	
Material	
Flanged Adaptor	Zinc Alloy
Hardware	Stainless Steel
Finish	
Flanged Adaptor	Nickel Plate

CS-188

UNLESS OTHERWISE SPECIFIED,
DIMENSIONS ARE IN INCHES
TOLERANCES ARE:
X ±.1
XX ±.05
XXX ±.005
CABLE LENGTH TOLERANCE
<300" ±5% >300" ±2%

APPROVALS	DATE
DRAWN BY D. PARHAM	4/8/2004
CHECKED BY T. CLARK	4/13/2004
APPROVED BY C. McCORMICK	4/13/2004

CONFIGURATION DETAILS OF
UNDIMENSIONED FEATURES
MAY VARY

L-com
CONNECTIVITY PRODUCTS

45 BEECHWOOD DRIVE
NORTH ANDOVER, MA
01845

PRODUCT DESCRIPTION
KIT, PANEL COUPLER, DELUXE, CAT 5E SHLD RJ45

DRAWING TITLE
OUTLINE DRAWING

SIZE A	FSCM NO. 43321	DWG. NO. ECF504-SC5E-OD1	REV. B
SCALE: NONE		CAD FILE: ECF504-SC5E-OD1.SLDDRW	SHEET 1 OF 1