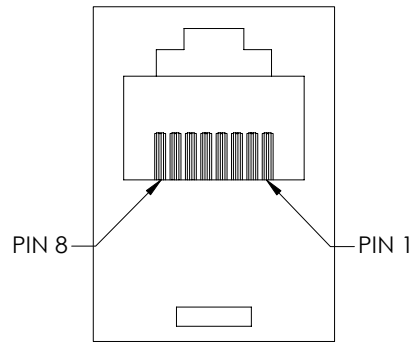
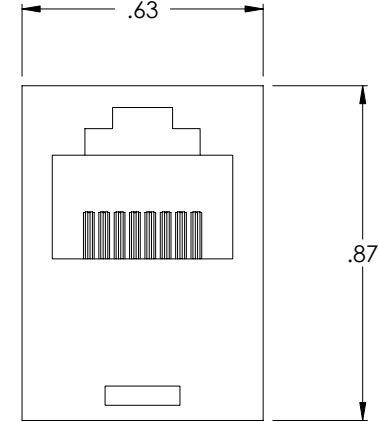
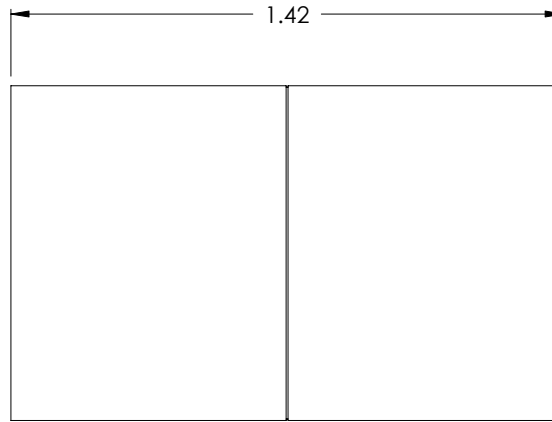


THE INFORMATION CONTAINED IN THIS DRAWING IS THE SOLE PROPERTY OF L-COM, INC. ANY REPRODUCTION IN PART OR WHOLE WITHOUT THE WRITTEN PERMISSION OF L-COM, INC. IS PROHIBITED.

REVISIONS			
REV	DESCRIPTION	DATE	APPROVED
A	RELEASED FOR PRODUCTION	10/10/01	TJC
B	ADDED PRODUCT VALIDATION. DELETED METRIC DIMENSIONS (ECN1313)	03/07/03	DFP
.	.	.	.
.	.	.	.



RJ45 JACK
(8 X 8)



RJ45 JACK
(8 X 8)

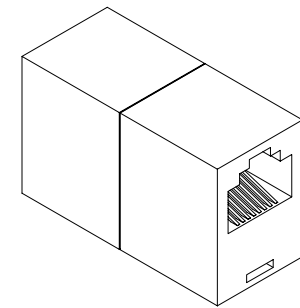
SPECIFICATIONS;
MEETS REQUIREMENTS OF FCC PART 68.5
UL94V-0 COMPLIANT
CSA CERTIFIED: CUL
CATEGORY 3 RATED

MATERIALS;
HOUSING: ABS
COLOR: IVORY
CONTACTS: PHOSPHOR BRONZE
CONTACT PLATING: 1.5 μINCHES GOLD OVER NICKEL

ELECTRICAL;
CURRENT RATING: 1.5 AMP MAX
VOLTAGE RATING: 1000 VOLTS

ENVIRONMENTAL;
OPERATING TEMPERATURE RANGE: 0°C TO 60°C

APPLICATION:
FEED THROUGH COUPLER



UNLESS OTHERWISE SPECIFIED,
DIMENSIONS ARE IN INCHES
TOLERANCES ARE:
.X ±.1
.XX ±.05
.XXX ±.005
CABLE LENGTH TOLERANCE
<300' ±5% >300' ±2%

APPROVALS	DATE
DRAWN	
TJC	10/2/01
CHECKED	
DFP	10/4/01
APPROVED BY	
RC	10/9/01

CONFIGURATION DETAILS OF
UNDIMENSIONED FEATURES
MAY VARY

L-com
CONNECTIVITY
PRODUCTS
45 BEECHWOOD DRIVE
NORTH ANDOVER, MA
01845

PRODUCT DESCRIPTION
MODULAR ADAPTOR (RJ45)

DRAWING TITLE
OUTLINE DRAWING

SIZE	FSCM NO.	DWG. NO.	REV.
A	43321	TDG1026-8C-OD1	B
SCALE 1:1	CAD FILE: TDG1026-8C-OD1.SLDDRW	SHEET 1	OF 1