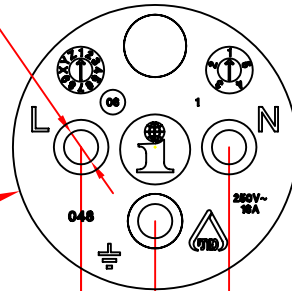


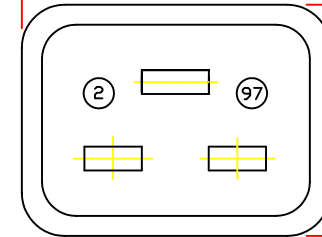
3X 4.4 DIA

36.5 DIA

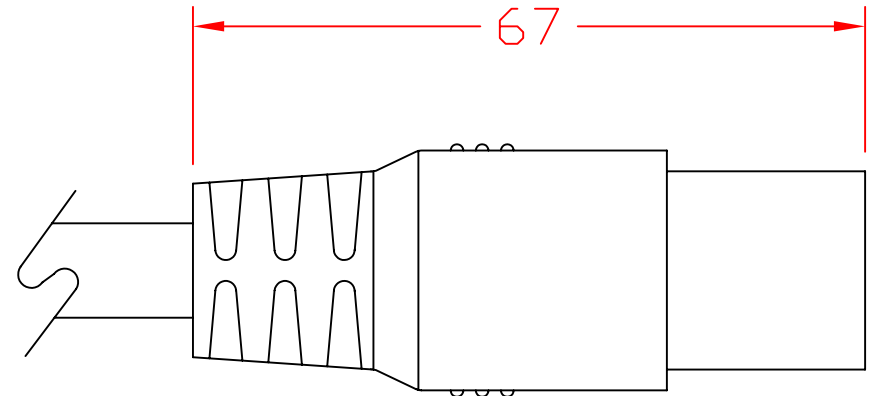
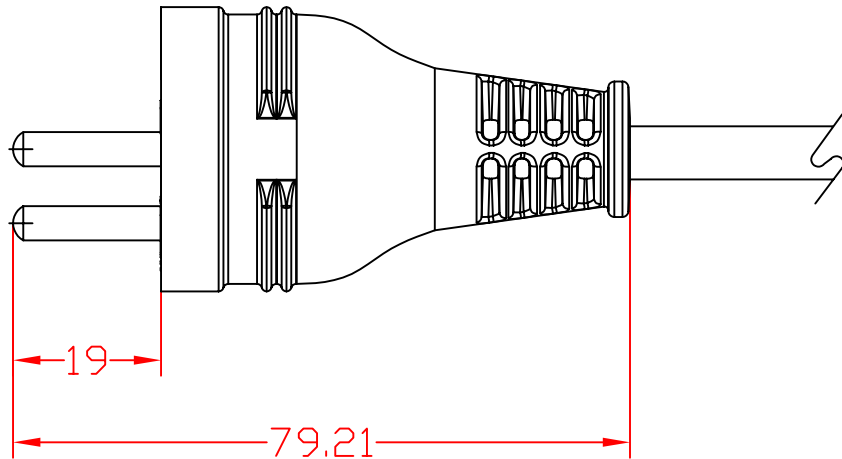


9.5
19

32 NOM



24.5 NOM



THIS DOCUMENT AND ITS CONTENTS ARE THE PROPRIETARY CONFIDENTIAL PROPERTY OF INTERPOWER CORPORATION. NO USE OR COPIES MAY BE MADE WITHOUT WRITTEN PERMISSION FROM INTERPOWER CORPORATION.

DIMENSIONS IN MILLIMETERS

TITLE Israel Cord set 16A

DRAFT BY: JC DATE: 5-2007

PART NUMBER: 86275060

DRAFTING APPROVAL: DATE:

MATERIAL: PVC

DO NOT SCALE

INTERPOWER CORPORATION

A	New part	JC	5-2007
REV	CHANGE DESCRIPTION	Initials	DATE

SHEET 1 OF 1