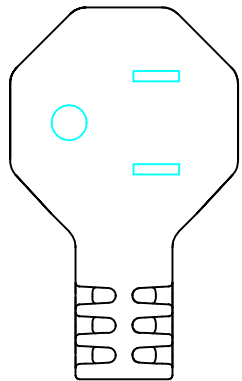
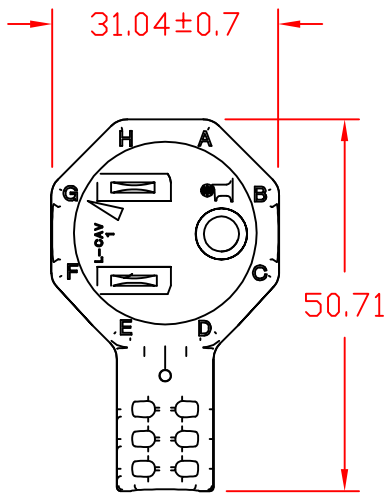


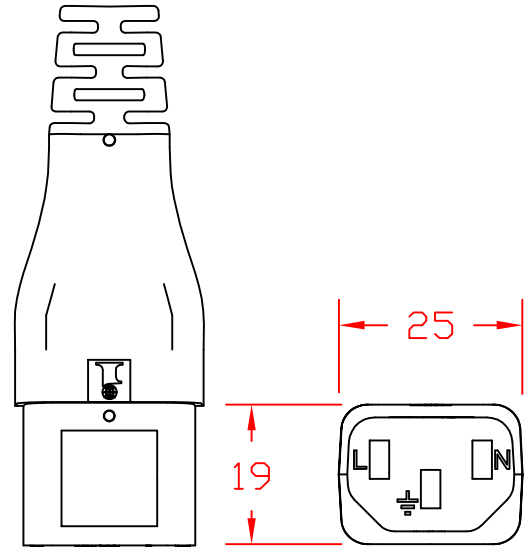
Angle G



Back



Front



THIS DOCUMENT AND ITS CONTENTS ARE THE PROPRIETARY CONFIDENTIAL PROPERTY OF INTERPOWER CORPORATION. NO USE OR COPIES MAY BE MADE WITHOUT WRITTEN PERMISSION FROM INTERPOWER CORPORATION.

DIMENSIONS IN MILLIMETERS

TITLE Angled NEMA 5-15P 8ft

DRAFT BY: JPC DATE: 2-16-2004

PART NUMBER: 86470135

DRAFTING APPROVAL: DATE:

MATERIAL:

DO NOT SCALE

INTERPOWER CORPORATION

REV	CHANGE DESCRIPTION	DATE	INITIALS
A	Replaced 002 C13 with new C13 052	12/04/07	

SHEET 1 OF 1