

1 General Description

The AS5035 is a magnetic incremental encoder with 64 quadrature pulses per revolution (8-bit resolution) and index output.

Two diagnostic outputs are provided to indicate an out-of-range condition of the magnetic field as well as movement of the magnet in Z-axis. In addition a specific combination of output states indicate a loss of power supply.

The AS5035 is available in a small 16pin SSOP package. It can be operated at either 3.3V or 5V supplies.

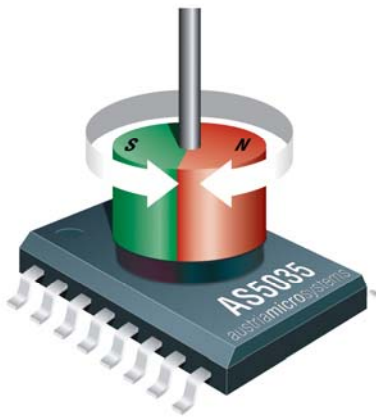


Figure 1: Typical arrangement of AS5035 and magnet

1.1 Benefits

- Complete system-on-chip, including analog front end and digital signal processing
- 2-channel quadrature and index outputs provide an alternative to optical encoders
- User programmable Zero positioning by OTP allows easy assembly of magnet
- Diagnostic features for operation safety
- Ideal for applications in harsh environments due to magnetic sensing principle
- Robust system, tolerant to magnet misalignment, air gap variations, temperature variations and external magnetic stray fields
- No calibration required

2 Key Features

- Full turn (360°) contactless angular position encoder
- 2 quadrature A/B outputs with 64 pulses per revolution (ppr), 256 edges per revolution, 1.4° per step
- Index output (one pulse per revolution)
- Accurate user programmable zero position (0.35°)
- Failure detection mode for magnet placement monitoring and loss of power supply
- Wide temperature range: - 40°C to + 125°C
- Small lead-free package: SSOP 16 (5.3mm x 6.2mm)

3 Applications

Industrial applications:

- Robotics
- Replacement of optical encoders
- Flow meters
- Man-machine interface

Automotive applications:

- Power seat position sensing
- Power mirror position sensing

4 Pin Configuration

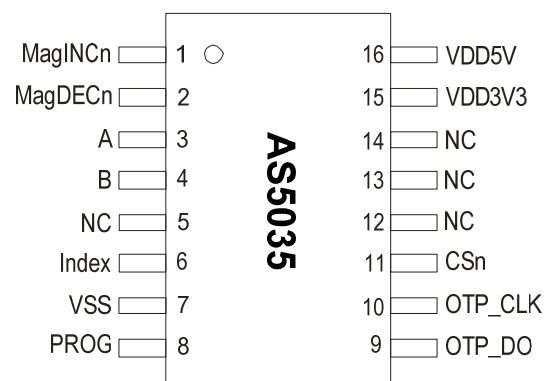


Figure 2: AS5035 Pin configuration SSOP16

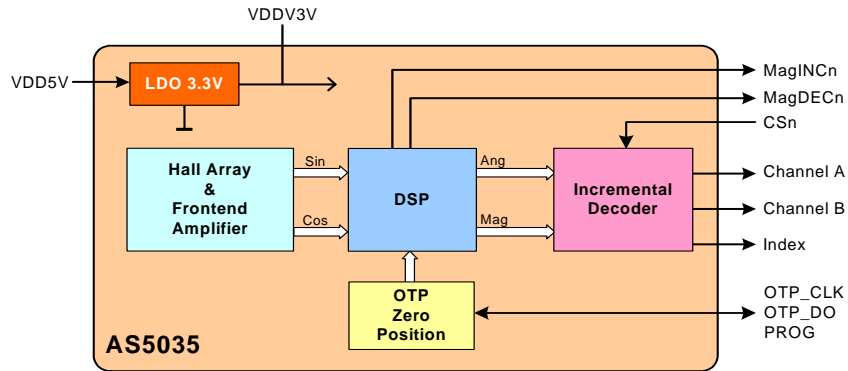


Figure 3: AS5035 Block diagram

4.1 Pin List & Description

Pin #	Name	Type	AS5035
SSOP16			
1	MagInc	DO_OD	Mag. Field indicator
2	MagDec	DO_OD	Mag. Field indicator
3	A	DO	Quadrature channel A
4	B	DO	Quadrature channel B
5	N.C.	test	Must be left open
6	Index	DO	Incremental Index output
7	VSS	Supply	Supply Ground
8	Prog	DI , pd	OTP Programming Input. Internal pull-down resistor (~74kΩ). Should be connected to VSS if not used
9	OTP_DO	DO_T	Data Output for Zero Position programming
10	OTP_CLK	DI,ST	Clock Input for Zero Position programming; Schmitt-Trigger input. Should be connected to VSS if not used
11	CSn	DI_ST, pu	Enable outputs A,B,I (see 5.4). Connect to VSS for normal operation
12	N.C.	test	Must be left open
13	N.C.	test	Must be left open
14	N.C.	test	Must be left open
15	VDD3V3	Supply	3V regulator output
16	VDD5V	Supply	5V positive supply input

Table 1: Pin description

DO_OD : digital output, open drain

DO : digital push/pull output

DI : digital input

ST : Schmitt-Trigger input

pu : internal pull-up resistor

pd : internal pull-down resistor

test : pin is used for factory testing, must be left unconnected

4.2 Unused Pins

Pins # 5, 8, 12, 13 and 14 are for factory testing and must be left unconnected

Pins# 8, 9 and 10 are used for OTP Zero Position Programming only. In normal operation, they can be left open or connected to VSS (pins 8 and 10 only)

5 Connecting the AS5035

5.1 Power Supply

5.1.1 5.0V Operation

Connect a 4.5V to 5.5V power supply to pin VDD5V only.
Add a 1µF to 10µF buffer capacitor to pin VDD3V3

5.1.2 3.3V Operation

Connect a 3.0V to 3.6 V power supply to both pins VDD5V and VDD3V3. If necessary, add a 100nF ceramic buffer capacitor to pin VDD3V3.

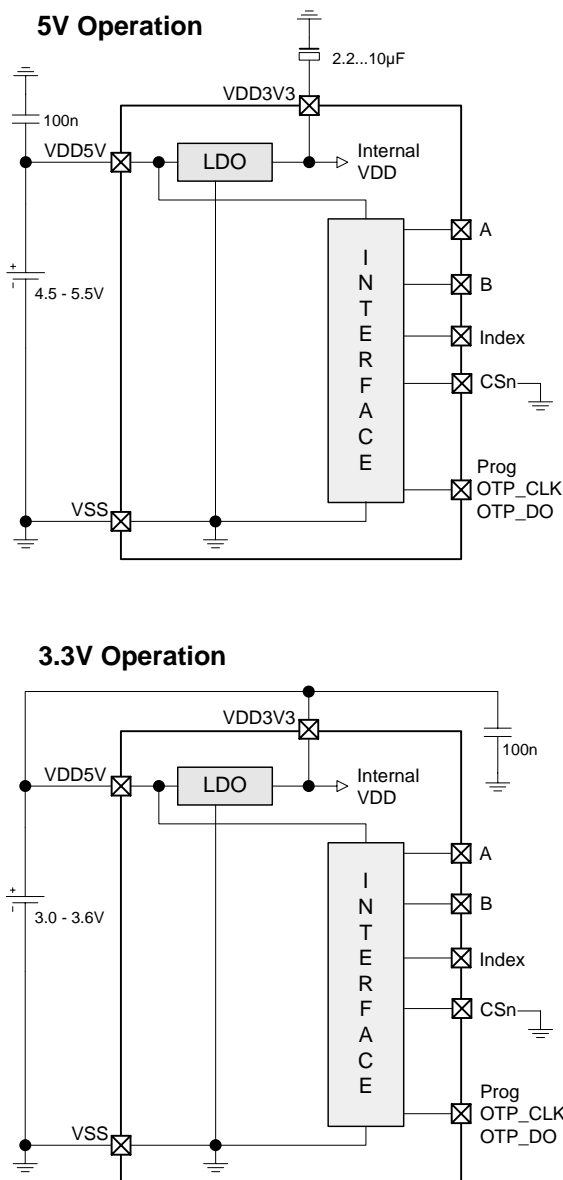


Figure 4: Connections for 5V / 3.3V supply voltages

5.2 Logic High and Low Levels

VDD5V will be either 3.0 - 3.6V or 4.5 - 5.5V, depending on configuration.

In either case, the logic levels on output pins A, B and Index will be

$$V_{out\ high} = VDD5V - 0.5V,$$

$$V_{out\ low} = VSS + 0.4V.$$

The logic level on the CSn input pin will be

$$V_{in\ high} = VDD5V * 0.7,$$

$$V_{in\ low} = VDD5V * 0.3$$

5.3 Output Current

The available maximum output current on pins A, B and Index to maintain the Vout high and Vout low levels is

2mA (sink and source) at VDD5V = 3.0V

4mA (sink and source) at VDD5V = 4.5V

5.4 Chip Select Pin CSn

5.4.1 Without Power-up Diagnostic Feature

For standalone operation without microcontroller, pin CSn should be connected to VSS permanently. The incremental outputs will be available, as soon as the internal offset compensation is finished (within <50ms).

5.4.2 With Power-up Diagnostic Feature

A diagnostic feature is available to detect a temporary loss of power or initial power-up of the AS5035: if the CSn pin is high or left open (internal pull up resistor ~50kΩ) during power-up, the incremental outputs will remain in high state: A = B = Index = High.

This state indicates a power-up or temporary loss of power, as in normal operation A, B and Index will never be high at the same time. When Index is high, both A and B are low.

To clear this state end enable the incremental outputs, CSn must be pulled low. The incremental outputs will remain enabled if CSn returns to high afterwards.

5.5 MagInc and MagDec Indicators

These two pins are open-drain outputs with a maximum driving capability of 2mA @ 3.0V and 4mA @ 4.5V.

MagINC, (Magnitude Increase) turns on, when the magnet is pushed towards the IC, thus when the magnetic field strength is increasing.

MagDEC, (Magnitude Decrease) turns on, when the magnet is pulled away from the IC, thus when the magnetic field strength is decreasing.

If both outputs are low, they indicate that the magnetic field out of the allowed range:

MagINC	MagDEC	Description
off	off	No distance change. Magnetic Input Field OK
off	on	Distance increase (Magnet pulled away from IC)
on	off	Distance decrease (Magnet pushed towards IC)
on	on	Magnetic Input Field invalid – out of range: either too large (magnet too close) or too small (missing magnet or magnet too far away)

Table 2: Magnetic field strength diagnostic outputs

off = open-drain output transistor is off. Using a pull-up resistor, the output is high
on = open-drain output transistor is on. Using a pull-up resistor, the output is low

Both outputs MagInc and MagDec may be tied together, using one common pull-up resistor. In this case, the output will be high only when the magnetic field is in range. It will be low when either the magnet is moving in Z-axis or when the magnetic field is out of range.

6 Incremental Outputs

6.1 A, B and Index

The phase shift between channel A and B indicates the direction of the magnet movement. Channel A leads channel B at a clockwise rotation of the magnet (top view, magnet placed above or below the device) with 90 electrical degrees. Channel B leads channel A at a counter-clockwise rotation. The Index pulse has a width of 1LSB = 1.4°

6.2 Hysteresis

To avoid flickering of the incremental outputs at a stationary mechanical position, a hysteresis of 0.7° is introduced. When the direction of rotation is reversed, the incremental outputs will not change state unless the movement in the opposite direction is larger than the hysteresis. This leads to the effect that the A,B and Index pulse positions will be shifted by 0.7° when the rotational direction is reversed. This shift is cancelled again with the next reversal of direction so that the A,B and Index pulses appear always at the same position for a given rotational direction no matter how often the rotational direction is reversed (see Figure 5).

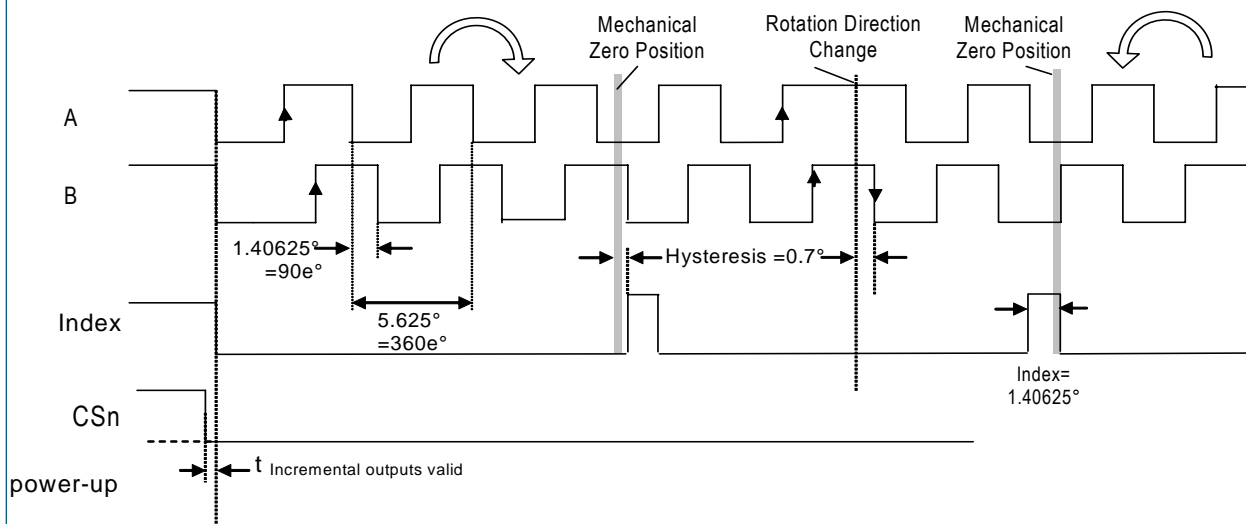


Figure 5: Incremental quadrature outputs

7 Zero Position Programming

Zero Position Programming is an OTP option that simplifies assembly of a system, as the magnet does not need to be manually adjusted to the mechanical zero position. Once the assembly is completed, the mechanical and electrical zero positions can be matched by software. Any position within a full turn can be defined as the permanent new index position.

For Zero Position Programming, the magnet is turned to the mechanical zero position (e.g. the “off”-position of a rotary switch) and an automatic zero position programming is applied.

The zero position is programmed to an accuracy of +/- 0.35°.

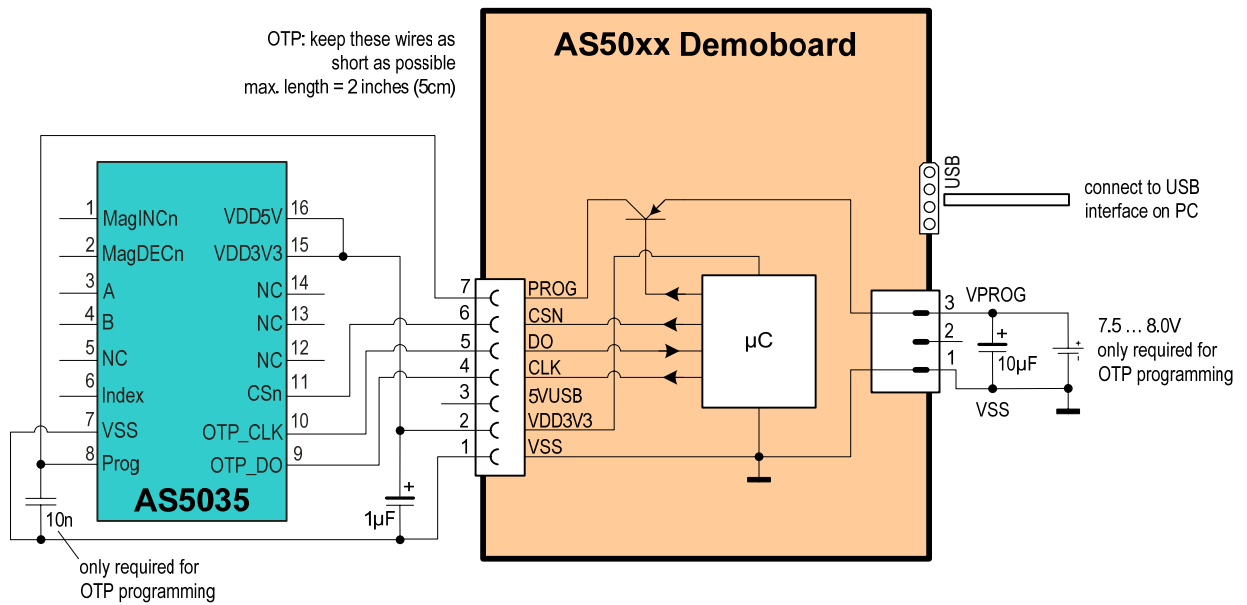


Figure 6: Hardware connection of AS5035 to AS50xx Demoboard for Zero Position Programming

7.1 OTP Programming Timing

OTP programming requires access to the factory settings register of the AS5035. Improper or accidental modification of the factory settings may render the chip unusable. Therefore the Zero Position and CCW programming is recommended only with austriamicrosystems proprietary hardware and software.

Note: During the programming process, the transitions in the programming current may cause high voltage spikes generated by the inductance of the connection cable. To avoid these spikes and possible damage to the IC, the connection wires, especially the signals Prog and VSS must be kept as short as possible. The maximum wire length between the V_{PROG} switching transistor and pin Prog (see Figure 6) should not exceed 50mm (2 inches). To suppress eventual voltage spikes, a 10nF ceramic capacitor should be connected close to pins Prog and VSS. This capacitor is only required for programming, it is not required for normal operation.

The clock timing t_{clk} must be selected at a proper rate to ensure that the signal Prog is stable at the rising edge of CLK (see Figure 7). Additionally, the programming supply voltage should be buffered with a 10 μ F capacitor mounted close to the switching transistor. This capacitor aids in providing peak currents during programming.

The specified programming voltage at pin Prog is 7.3 – 7.5V (see section 12.8). To compensate for the voltage drop across the V_{PROG} switching transistor, the applied programming voltage may be set slightly higher (7.5 – 8.0V).

7.1.1 CCW Bit Programming

The absolute angular output value, by default, increases with clockwise rotation of the magnet (top view). Setting the CCW-bit (see Figure 7) allows for reversing the indicated direction, e.g. when the magnet is placed underneath the IC:

- CCW = 0 – angular value increases clockwise;
- CCW = 1 – angular value increases counterclockwise.

Note: Further information on the required hardware and software for Zero Position programming of the AS5035 can be found in the "AS5035" section of the austriamicrosystems website:

*<http://www.austriamicrosystems.com>
(→Rotary Encoders→AS5035)*

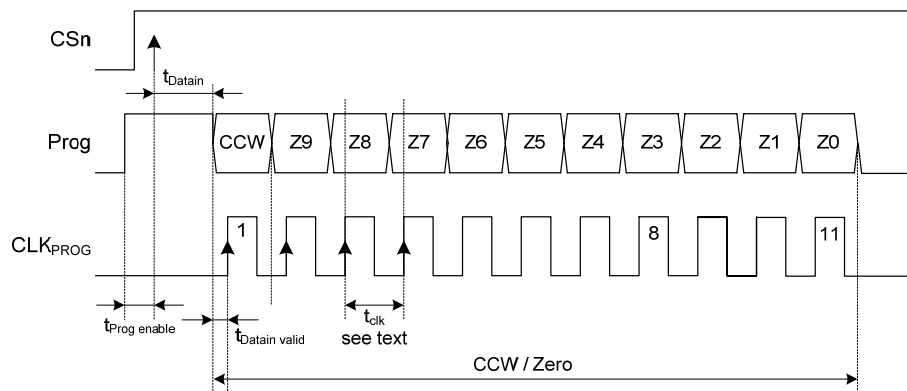


Figure 7: Programming access – write data (first section of Figure 8)

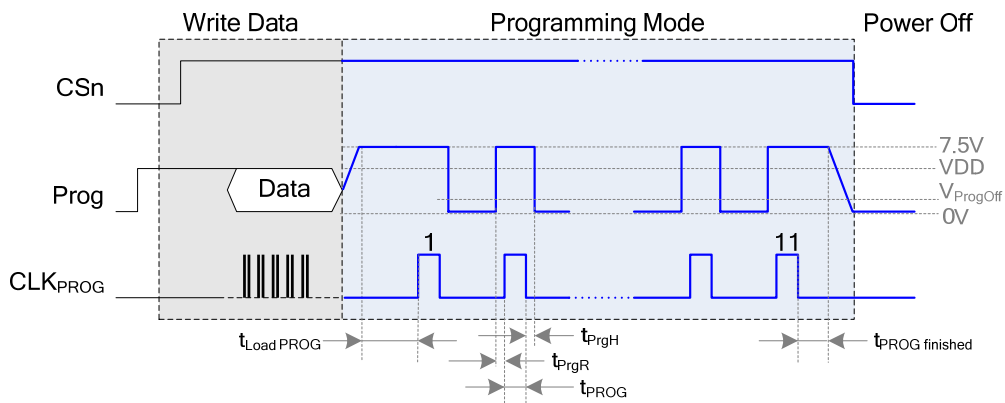


Figure 8: Complete programming sequence

8 Simulation Modelling

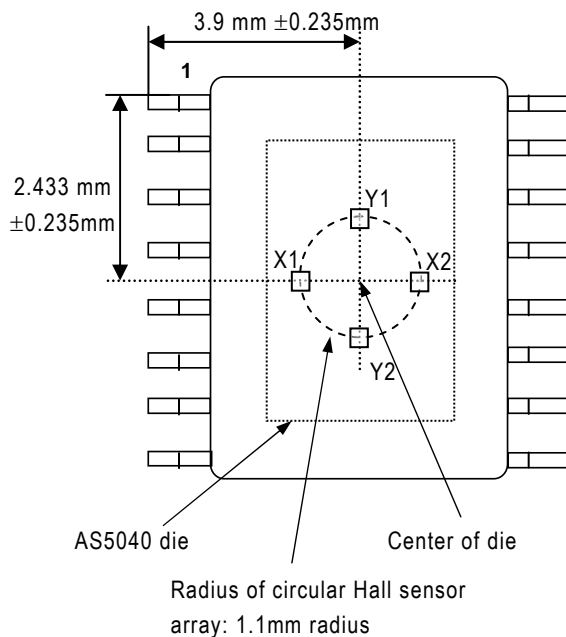


Figure 9: Arrangement of Hall sensor array on chip (principle)

With reference to Figure 9, a diametrically magnetized permanent magnet is placed above or below the surface of the AS5035. The chip uses an array of Hall sensors to sample the vertical vector of a magnetic field distributed across the device package surface. The area of magnetic sensitivity is a circular locus of 1.1mm radius with respect to the center of the die. The Hall sensors in the area of magnetic sensitivity are grouped and configured such that orthogonally related components of the magnetic fields are sampled differentially.

The differential signal Y1-Y2 will give a sine vector of the magnetic field. The differential signal X1-X2 will give an orthogonally related cosine vector of the magnetic field.

The angular displacement (Θ) of the magnetic source with reference to the Hall sensor array may then be modelled by:

$$\Theta = \arctan \frac{(Y1 - Y2)}{(X1 - X2)} \pm 0.5^\circ$$

The $\pm 0.5^\circ$ angular error assumes a magnet optimally aligned over the center of the die and is a result of gain mismatch errors of the AS5035. Placement tolerances of the die within the package are ± 0.235 mm in X and Y direction, using a reference point of the edge of pin #1 (Figure 11)

In order to neglect the influence of external disturbing magnetic fields, a robust differential sampling and ratiometric calculation algorithm has been implemented. The differential sampling of the sine and cosine vectors

removes any common mode error due to DC components introduced by the magnetic source itself or external disturbing magnetic fields. A ratiometric division of the sine and cosine vectors removes the need for an accurate absolute magnitude of the magnetic field and thus accurate Z-axis alignment of the magnetic source.

The recommended differential input range of the magnetic field strength ($B_{(X1-X2)}, B_{(Y1-Y2)}$) is ± 75 mT at the surface of the die. In addition to this range, an additional offset of ± 5 mT, caused by unwanted external stray fields is allowed.

The chip will continue to operate, but with degraded output linearity, if the signal field strength is outside the recommended range. Too strong magnetic fields will introduce errors due to saturation effects in the internal preamplifiers. Too weak magnetic fields will introduce errors due to noise becoming more dominant.

9 Choosing the Proper Magnet

Typically the magnet should be 6mm in diameter and ≥ 2.5 mm in height. Magnetic materials such as rare earth AlNiCo, SmCo5 or NdFeB are recommended.

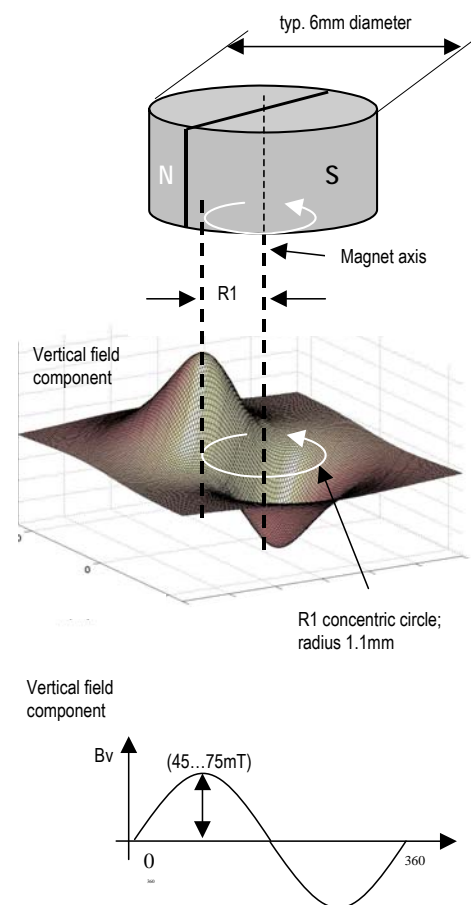


Figure 10: Typical magnet and magnetic field distribution

The magnet's field strength perpendicular to the die surface should be verified using a gauss-meter. The magnetic field B_v at a given distance, along a concentric circle with a radius of 1.1mm (R_1), should be in the range of $\pm 45\text{mT} \dots \pm 75\text{mT}$. (see Figure 10).

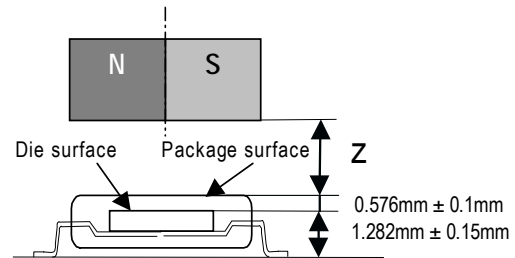


Figure 12: Vertical placement of the magnet

9.1 Physical Placement of the Magnet

The best linearity can be achieved by placing the center of the magnet exactly over the defined center of the IC package as shown in Figure 11:

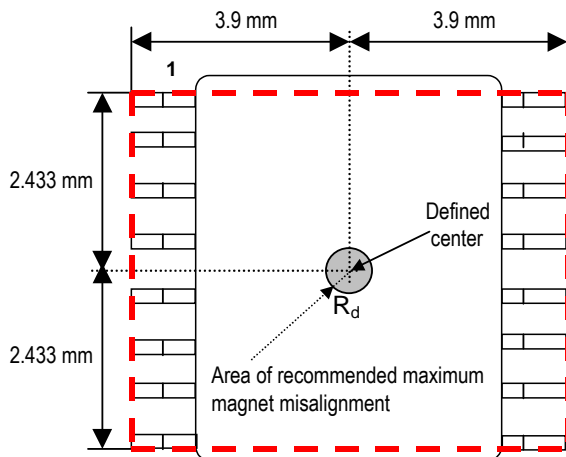


Figure 11: Defined IC center and magnet displacement radius

Magnet Placement:

The magnet's center axis should be aligned within a displacement radius R_d of 0.25mm from the defined center of the IC with reference to the edge of pin #1 (see Figure 11). This radius includes the placement tolerance of the chip within the SSOP-16 package ($\pm 0.235\text{mm}$). The displacement radius R_d is 0.485mm with reference to the center of the chip

The vertical distance should be chosen such that the magnetic field on the die surface is within the specified limits (see Figure 10). The typical distance "z" between the magnet and the package surface is 0.5mm to 1.8mm with the recommended magnet (6mm x 3mm). Larger gaps are possible, as long as the required magnetic field strength stays within the defined limits.

A magnetic field outside the specified range may still produce usable results, but the out-of-range condition will be indicated by MagINCn (pin 1) and MagDECn (pin 2), see 5.5.

10 Angular Output Tolerances

10.1 Accuracy

Accuracy is defined as the error between measured angle and actual angle. It is influenced by several factors:

- the non-linearity of the analog-digital converters,
- internal gain and mismatch errors,
- non-linearity due to misalignment of the magnet

As a sum of all these errors, the accuracy with centered magnet = $(\text{Err}_{\text{max}} - \text{Err}_{\text{min}})/2$ is specified as better than ± 0.5 degrees @ 25°C (see Figure 14).

Misalignment of the magnet further reduces the accuracy. Figure 14 shows an example of a 3D-graph displaying non-linearity over XY-misalignment. The center of the square XY-area corresponds to a centered magnet (see dot in the center of the graph). The X- and Y- axis extends to a misalignment of $\pm 1\text{mm}$ in both directions. The total misalignment area of the graph covers a square of 2x2 mm (79x79mil) with a step size of 100 μm .

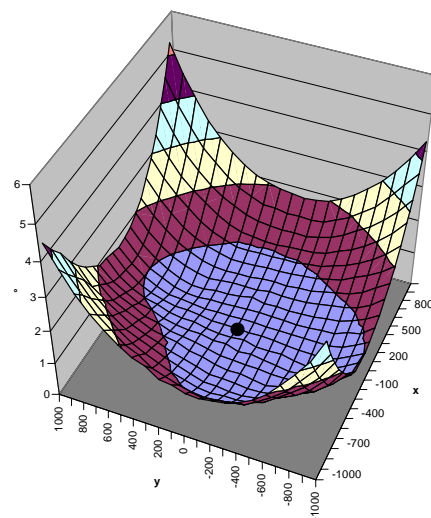


Figure 13: Example of linearity error over XY misalignment

For each misalignment step, the measurement as shown in Figure 14 is repeated and the accuracy

$(Err_{max} - Err_{min})/2$ (e.g. 0.25° in Figure 14) is entered as the Z-axis in the 3D-graph.

The maximum non-linearity error on this example is better than ± 1 degree (inner circle) over a misalignment radius of ~ 0.7 mm. For volume production, the placement tolerance of the IC within the package (± 0.235 mm) must also be taken into account.

The total nonlinearity error over process tolerances, temperature and a misalignment circle radius of 0.25mm is specified better than ± 1.4 degrees.

The magnet used for these measurement was a cylindrical NdFeB (Bomatec® BMN-35H) magnet with 6mm diameter and 2.5mm in height.

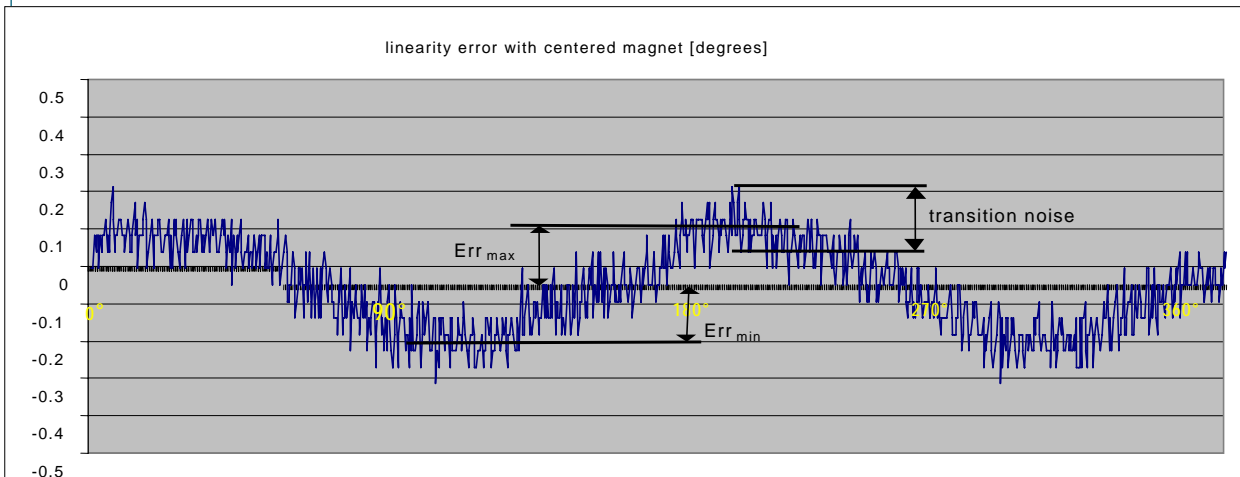


Figure 14: Example of linearity error over 360°

10.2 Transition Noise

Transition noise is defined as the jitter in the transition between two steps.

Due to the nature of the measurement principle (Hall sensors + Preamplifier + ADC), there is always a certain degree of noise involved.

This transition noise voltage results in an angular transition noise at the outputs. It is specified as 0.06 degrees rms (1 sigma)^{*1}.

This is the repeatability of an indicated angle at a given mechanical position.

The transition noise influences the period, width and phase shift of the output signals A, B and Index:

Parameter	Tolerance (1 σ) (rms)	Tolerance (3 σ) (peak)
Index Pulse width	1.406° +/-0.06°	1.406° +/-0.18°
A,B Pulse width	2.813° +/-0.06°	2.813° +/-0.18°
Period	5.625° +/-0.06°	5.625° +/-0.18°
A-B Phase shift	90e° +/-1.9e°	90e° +/-5.7e°

Table 3: Incremental signal tolerances with transition noise

e° = electrical degrees (see Figure 5)

*1: statistically, 1 sigma represents 68.27% of readings, 3 sigma represents 99.73% of readings.

The algorithm used to generate the incremental outputs guarantees no missing or additional pulses even at high speeds (up to 30,000 rpm and higher)

10.3 High Speed Operation

10.3.1 Sampling Rate

The AS5035 samples the angular value at a rate of 10k samples per second. Consequently, the incremental outputs are updated each 100 μ s.

At a stationary position of the magnet, this sampling rate creates no additional error.

Incremental encoders are usually required to produce no missing pulses up to several thousand rpm's.

Therefore, the AS5035 has a built-in interpolator, which ensures that there are no missing pulses at the incremental outputs for rotational speeds of up to 10,000rpm.

10.4 Output Delays

Due to the sampling rate of 10kHz, there will be a delay of up to 100µs between the time that the sample is taken until it is converted and available as angular data.

A rotating magnet will therefore cause an angular error caused by the output delay.

This error increases linearly with speed:

$$e_{\text{sampling}} = \text{rpm} * 6E^{-4}$$

At low speeds this error is small (e.g. <= 0.06° at 100 rpm).

At speeds over 586 rpm, the error approaches 1LSB (0.35°). The maximum error caused by the sampling rate of the ADCs is 0/+100µs. It has a peak of 1LSB = 0.35° at 586 rpm.

At higher speeds this error is reduced again due to interpolation and the output delay remains at 200µs as the DSP requires two sampling periods (2x100µs) to synthesize and redistribute any missing pulses.

10.5 Temperature

10.5.1 Magnetic Temperature Coefficient

One of the major benefits of the AS5035 compared to linear Hall sensors is that it is much less sensitive to temperature. While linear Hall sensors require a compensation of the magnet's temperature coefficients, the AS5035 automatically compensates for the varying magnetic field strength over temperature. The magnet's temperature drift does not need to be considered, as the AS5035 operates with magnetic field strengths from ±45...±75mT.

Example:

A NdFeB magnet has a field strength of 75mT @ -40°C and a temperature coefficient of -0.12% per Kelvin. The temperature change is from -40° to +125° = 165K.

The magnetic field change is: 165 x -0.12% = -19.8%, which corresponds to 75mT at -40°C and 60mT at 125°C .

The AS5035 can compensate for this temperature related field strength change automatically, no user adjustment is required.

10.5.2 Accuracy over Temperature

The influence of temperature in the absolute accuracy is very low. While the accuracy is ≤ ±0.5° at room temperature, it may increase to ≤±0.9° due to increasing noise at high temperatures.

10.5.3 Timing Tolerance over Temperature

The internal RC oscillator is factory trimmed to ±5%. Over temperature, this tolerance may increase to ±10%. Generally, the timing tolerance has no influence in the accuracy or resolution of the system, as it is used mainly for internal clock generation.

11 Failure Diagnostics

The AS5035 also offers several diagnostic and failure detection features:

11.1 Magnetic Field Strength Diagnosis

Pins #1 (MagINCn) and #2 (MagDECn) are open-drain outputs and will both be turned on (= low with external pull-up resistor) when the magnetic field is out of range. If only one of the outputs is low, the magnet is either moving towards the chip (MagINCn) or away from the chip (MagDECn).

11.2 Power Supply Failure Detection

11.2.1 MagINCn and MagDECn Pins:

These are open drain outputs and require external pull-up resistors. In normal operation, these pins are high ohmic and the outputs are high (see Table 2). In a failure case, either when the magnetic field is out of range or the power supply is missing, these outputs will become low. To ensure adequate low levels in case of a broken power supply to the AS5035, the pull-up resistors (>10kΩ) must be connected to the positive supply at pin 16 (VDD5V).

11.2.2 Incremental Outputs:

In normal operation, pins A(#3), B(#4) and Index (#6) will never be high at the same time, as Index is only high when A=B=low. However, after a power-on-reset, if VDD is powered up or restarts after a power supply interruption, all three outputs will remain in high state until pin CSn is pulled low (see 5.4.2). If CSn is already tied to VSS during power-up, the incremental outputs will all be high until the internal offset compensation is finished (within t_{PwrUp}).

Another way to detect a power supply loss is by connecting pull-up resistors to the A,B and Index pins at the receiving side (µC, control unit, etc..). If the negative power line to the sensor is interrupted, all three outputs will be pulled high by the external pull-up resistors. This unique state again indicates a failure as it does not occur in normal operation.

12 Electrical Characteristics

12.1 Absolute Maximum Ratings (non operating)

Stresses beyond those listed under "Absolute Maximum Ratings" may cause permanent damage to the device. These are stress ratings only. Functional operation of the device at these or any other conditions beyond those indicated under "Operating Conditions" is not implied. Exposure to absolute maximum rating conditions for extended periods may affect device reliability.

Parameter	Symbol	Min	Max	Unit	Note
DC supply voltage at pin VDD5V	VDD5V	-0.3	7	V	
DC supply voltage at pin VDD3V3	VDD3V3		5	V	
Input pin voltage	V _{in}	-0.3	VDD5V +0.3	V	
Input current (latchup immunity)	I _{scr}	-100	100	mA	Norm: JEDEC 78
Electrostatic discharge	ESD	± 2		kV	Norm: MIL 883 E method 3015
Storage temperature	T _{strg}	-55	125	°C	Min – 67°F ; Max +257°F
Body temperature (Lead-free package)	T _{Body}		260	°C	t=20 to 40s, Norm: IPC/JEDEC J-Std-020C Lead finish 100% Sn "matte tin"
Humidity non-condensing	rH	5	85	%	

12.2 Operating Conditions

Parameter	Symbol	Min	Typ	Max	Unit	Note
Ambient temperature	T _{amb}	-40		125	°C	-40°F...+257°F
Supply current	I _{supp}		16	25	mA	
Supply voltage at pin VDD5V	VDD5V	4.5	5.0	5.5	V	5V Operation
Voltage regulator output voltage at pin VDD3V3	VDD3V3	3.0	3.3	3.6	V	
Supply voltage at pin VDD5V	VDD5V	3.0	3.3	3.6	V	3.3V Operation (pin VDD5V and VDD3V3 connected)
Supply voltage at pin VDD3V3	VDD3V3	3.0	3.3	3.6	V	

12.3 DC Characteristics for Digital Inputs and Outputs

12.3.1 CMOS Schmitt-Trigger Inputs: OTP_CLK, CSn (CSn = internal Pull-up)

Parameter	Symbol	Min	Max	Unit	Note
High level input voltage	V _{IH}	0.7 * VDD5V		V	Normal operation
Low level input voltage	V _{IL}		0.3 * VDD5V	V	
Schmitt-Trigger hysteresis	V _{Ion} - V _{Ioff}	1		V	
Input leakage current	I _{LEAK}	-1	1	μA	CLK only
Pull-up low level input current	I _{IL}	-30	-100	μA	CSn only, VDD5V: 5.0V

12.3.2 CMOS Output Open Drain: MagINCn, MagDECn

Parameter	Symbol	Min	Max	Unit	Note
Low level output voltage	V _{OL}		VSS+0.4	V	
Output current	I _o		4 2	mA	VDD5V: 4.5V VDD5V: 3V
Open drain leakage current	I _{oz}		1	μA	

12.3.3 CMOS Outputs: A, B, Index, OTP_DO

Parameter	Symbol	Min	Max	Unit	Note
High level output voltage	V _{OH}	VDD5V-0.5		V	
Low level output voltage	V _{OL}		VSS+0.4	V	
Output current	I _o		4 2	mA mA	VDD5V: 4.5V VDD5V: 3V

12.4 Magnetic Input Specification

Two-pole cylindrical diametrically magnetised source:

Parameter	Symbol	Min	Typ	Max	Unit	Note
Diameter	d _{mag}	4	6		mm	Recommended magnet Ø 6mm x 2.5mm for cylindrical magnets
Thickness	t _{mag}	2.5			mm	
Magnetic input field amplitude	B _{pk}	45		75	mT	Required vertical component of the magnetic field strength on the die's surface, measured along a concentric circle with a radius of 1.1mm
Magnetic offset	B _{off}			± 10	mT	Constant magnetic stray field
Field non-linearity				5	%	Including offset gradient
Input frequency (rotational speed of magnet)	f _{mag_inc}			500	Hz	Incremental mode: no missing pulses at rotational speeds of up to 30,000 rpm
Magnetic field temperature drift	B _{tc}		- 0.035		%/K	Samarium Cobalt ReComa28
Displacement radius	Disp			0.25	mm	Max. offset between defined device center and magnet axis (see Figure 11)

12.5 Electrical System Specifications

Parameter	Symbol	Min	Typ	Max	Unit	Note
Resolution	LSB		1.406		deg	Degrees / step
	RES			8 64	bit ppr	Channel A and B
Index bit width	t _{w,Index}		1.406		deg	= 1 LSB (see Table 3)
Integral non-linearity (optimum)	INL _{opt}			± 0.5	deg	Maximum error with respect to the best line fit. Centered magnet placement without calibration, T _{amb} = 25 °C.
Integral non-linearity (optimum)	INL _{temp}			± 0.9	deg	Maximum error with respect to the best line fit. Centered magnet placement without calibration, T _{amb} = -40 to +125°C
Integral non-linearity	INL			± 1.4	deg	Best line fit = (Err _{max} - Err _{min}) / 2 Over displacement tolerance with 6mm diameter magnet, without calibration T _{amb} = -40 to +125°C
Differential non-linearity	DNL			± 0.176	deg	no missing codes
Transition noise	TN			0.06	Deg rms	rms = 1 sigma (see 10.2)
Hysteresis	Hyst		0.704		deg	
Power-on reset thresholds						
On voltage; 300mV typ. hysteresis	V _{on}	1.37	2.2	2.9	V	DC supply voltage 3.3V (VDD3V3)
Off voltage; 300mV typ. hysteresis	V _{off}	1.08	1.9	2.6	V	DC supply voltage 3.3V (VDD3V3)

12.6 Timing Characteristics

Parameter	Symbol	Min	Typ	Max	Unit	Note
Power-up time	t_{PwrUp}			50	ms	until internal offset compensation is finished
Incremental outputs valid after power-up	$t_{Incremental\ outputs\ valid}$			500	ns	if CSn is high during power up: = Time after t_{PwrUp} from first falling edge of CSn to valid incremental outputs.
						If CSn is low during power up: Incremental outputs are valid as soon as t_{PwrUp} is expired
System propagation delay				192	μ s	Calculation over two samples
Sampling rate	f_s	9.5	10	10.5	kHz	Internal sampling rate

12.7 Incremental Output Signal Tolerances

See Table 3 on page 9

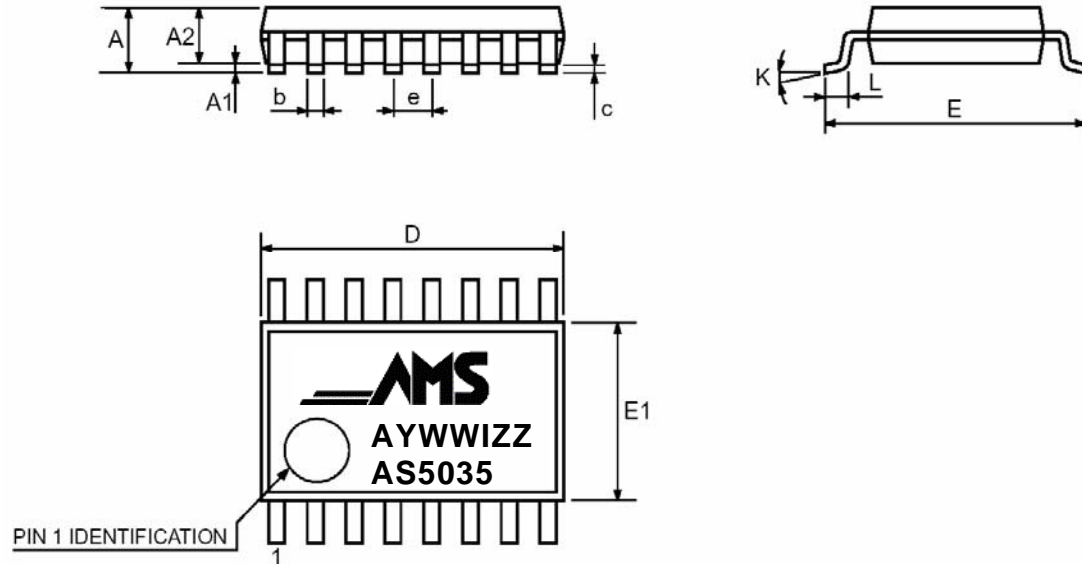
12.8 Programming Conditions

(operating conditions: $T_{amb} = -40$ to $+125^{\circ}\text{C}$, $V_{DD5V} = 3.0\text{-}3.6\text{V}$ (3V operation) $V_{DD5V} = 4.5\text{-}5.5\text{V}$ (5V operation) unless otherwise noted)

Parameter	Symbol	Min	Typ	Max	Unit	Note
Programming enable time	$t_{Prog\ enable}$	2			μ s	Time between rising edge at Prog pin and rising edge of CSn
Write data start	$t_{Data\ in}$	2			μ s	
Write data valid	$t_{Data\ in\ valid}$	250			ns	Write data at the rising edge of CLK_{PROG}
Load programming data	$t_{Load\ PROG}$	3			μ s	
Rise time of V_{PROG} before CLK_{PROG}	t_{PrgR}	0			μ s	
Hold time of V_{PROG} after CLK_{PROG}	t_{PrgH}	0		5	μ s	
Write data – programming CLK_{PROG}	CLK_{PROG}			250	kHz	
CLK pulse width	t_{PROG}	1.8	2	2.2	μ s	During programming; 16 clock cycles
Hold time of V_{prog} after programming	$t_{PROG\ finished}$	2			μ s	Programmed data is available after next power-on
Programming voltage	V_{PROG}	7.3	7.4	7.5	V	Must be switched off after zapping
Programming voltage off level	$V_{ProgOff}$	0		1	V	Line must be discharged to this level
Programming current	I_{PROG}			130	mA	During programming

13 Package Drawings and Markings

16-Lead Shrink Small Outline Package SSOP-16



Dimensions						
Symbol	mm			inch		
	Min	Typ	Max	Min	Typ	Max
A	1.73	1.86	1.99	.068	.073	.078
A1	0.05	0.13	0.21	.002	.005	.008
A2	1.68	1.73	1.78	.066	.068	.070
b	0.25	0.315	0.38	.010	.012	.015
c	0.09	-	0.20	.004	-	.008
D	6.07	6.20	6.33	.239	.244	.249
E	7.65	7.8	7.9	.301	.307	.311
E1	5.2	5.3	5.38	.205	.209	.212
e	0.65			.0256		
K	0°	-	8°	0°	-	8°
L	0.63	0.75	0.95	.025	.030	.037

Marking: AYWWIZZ

A: Pb-free Identifier

Y: Last Digit of Manufacturing Year

WW: Manufacturing Week

I: Plant Identifier

ZZ: Traceability Code

JEDEC Package Outline Standard: MO - 150 AC

Thermal Resistance $R_{th(j-a)}$:

typ. 151 K/W in still air, soldered on PCB

IC's marked with a white dot or the letters "ES" denote Engineering Samples

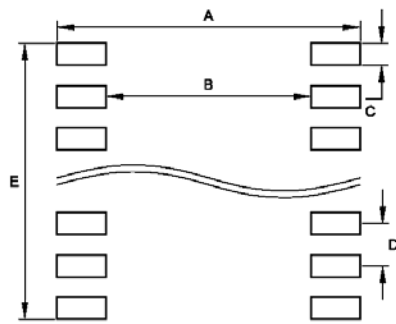
13.1 Packing Options

Delivery: Tape and Reel (1 reel = 2000 devices)
Tubes (1 box = 100 tubes á 77 devices)

Order # AS5035 for delivery in tubes

Order # AS5035TR for delivery in tape and reel

14 Recommended PCB Footprint:



Recommended Footprint Data		
	mm	inch
A	9.02	0.355
B	6.16	0.242
C	0.46	0.018
D	0.65	0.025
E	5.01	0.197

15 Contact

15.1 Headquarters

austriamicrosystems AG

A 8141 Schloss Premstätten, Austria

Phone: +43 3136 500 0

Fax: +43 3136 525 01

industry.medical@austriamicrosystems.com

www.austriamicrosystems.com

15.2 Sales Offices

austriamicrosystems Germany GmbH

Tegernseer Landstrasse 85

D-81539 München, Germany

Phone: +49 89 69 36 43 0

Fax: +49 89 69 36 43 66

austriamicrosystems Italy S.r.l.

Via A. Volta, 18

I-20094 Corsico (MI), Italy

Phone: +39 02 4586 4364

Fax: +39 02 4585 773

austriamicrosystems France S.A.R.L.

124, Avenue de Paris

F-94300 Vincennes, France

Phone: +33 1 43 74 00 90

Fax: +33 1 43 74 20 98

austriamicrosystems Switzerland AG

Rietstrasse 4

CH 8640 Rapperswil, Switzerland

Phone: +41 55 220 9008

Fax: +41 55 220 9001

austriamicrosystems UK, Ltd.

88, Barkham Ride,

Finchampstead, Wokingham

Berkshire RG40 4ET, United Kingdom

Phone: +44 118 973 1797

Fax: +44 118 973 5117

austriamicrosystems AG

Klaavuntie 9 G 55

FI 00910 Helsinki, Finland

Phone: +358 9 72688 170

Fax: +358 9 72688 171

austriamicrosystems AG

Bivägen 3B

S 19163 Sollentuna, Sweden

Phone: +46 8 6231 710

austriamicrosystems USA, Inc.

8601 Six Forks Road

Suite 400

Raleigh, NC 27615, USA

Phone: +1 919 676 5292

Fax: +1 509 696 2713

austriamicrosystems USA, Inc.

4030 Moorpark Ave

Suite 116

San Jose, CA 95117, USA

Phone: +1 408 345 1790

Fax: +1 509 696 2713

austriamicrosystems AG

Suite 811, Tsimshatsui Centre

East Wing, 66 Mody Road

Tsim Sha Tsui East, Kowloon, Hong Kong

Phone: +852 2268 6899

Fax: +852 2268 6799

austriamicrosystems AG

AIOS Gotanda Annex 5th Fl., 1-7-11,

Higashi-Gotanda, Shinagawa-ku

Tokyo 141-0022, Japan

Phone: +81 3 5792 4975

Fax: +81 3 5792 4976

austriamicrosystems AG

#805, Dong Kyung Bldg.,

824-19, Yeok Sam Dong,

Kang Nam Gu, Seoul

Korea 135-080

Phone: +82 2 557 8776

Fax: +82 2 569 9823

austriamicrosystems AG

Singapore Representative Office

83 Clemenceau Avenue, #02-01 UE Square

239920, Singapore

Phone: +65 68 30 83 05

Fax: +65 62 34 31 20

Copyrights

Copyright © 1997-2007, austriamicrosystems AG, Schloss Premstaetten, 8141 Unterpremstaetten, Austria-Europe.

Trademarks Registered ®. All rights reserved. The material herein may not be reproduced, adapted, merged, translated, stored, or used without the prior written consent of the copyright owner.

All products and companies mentioned are trademarks or registered trademarks of their respective companies.

This product is protected by U.S. Patent No. 7,095,228.

Disclaimer

Devices sold by austriamicrosystems AG are covered by the warranty and patent indemnification provisions appearing in its Term of Sale. austriamicrosystems AG makes no warranty, express, statutory, implied, or by description regarding the information set forth herein or regarding the freedom of the described devices from patent infringement. austriamicrosystems AG reserves the right to change specifications and prices at any time and without notice. Therefore, prior to designing this product into a system, it is necessary to check with austriamicrosystems AG for current information. This product is intended for use in normal commercial applications. Applications requiring extended temperature range, unusual environmental requirements, or high reliability applications, such as military, medical life-support or lifesustaining equipment are specifically not recommended without additional processing by austriamicrosystems AG for each application.

The information furnished here by austriamicrosystems AG is believed to be correct and accurate. However, austriamicrosystems AG shall not be liable to recipient or any third party for any damages, including but not limited to personal injury, property damage, loss of profits, loss of use, interruption of business or indirect, special, incidental or consequential damages, of any kind, in connection with or arising out of the furnishing, performance or use of the technical data herein. No obligation or liability to recipient or any third party shall arise or flow out of austriamicrosystems AG rendering of technical or other services.