

features

- Multi-Rate Operation From 155 Mbps Up To 2.5 Gbps
- Low Power Consumption
- Input Offset Cancellation
- High Input Dynamic Range
- Output Disable
- Output Polarity Select
- CML Data Outputs
- Receive Signal Strength Indicator (RSSI)
- Loss Of Signal Detection (LOS)

- Single 3.3-V Supply
- Surface Mount Small Footprint 3 mm × 3 mm 16-Pin QFN Package

applications

- SONET/SDH Transmission Systems at OC3, OC12, OC24, OC48
- 1.0625-Gbps and 2.125-Gbps Fibre Channel Receivers
- Gigabit Ethernet Receivers

description

The ONET2501PA is a versatile high-speed limiting amplifier for multiple fiber optic applications with data rates up to 2.5 Gbps.

This device provides a gain of about 50 dB, which ensures a fully differential output swing for input signals as low as 3 mV_{p-p}.

The high input signal dynamic range ensures low jitter output signals even when overdriven with input signal swings as high as 1200 mV_{p-p}.

The ONET2501PA is available in a small footprint 3 mm × 3 mm, 16-pin QFN package. The circuit requires a single 3.3-V supply.

This power efficient limiting amplifier is characterized for operation from –40°C to 85°C



Please be aware that an important notice concerning availability, standard warranty, and use in critical applications of Texas Instruments semiconductor products and disclaimers thereto appears at the end of this data sheet.

PRODUCTION DATA information is current as of publication date. Products conform to specifications per the terms of Texas Instruments standard warranty. Production processing does not necessarily include testing of all parameters.



POST OFFICE BOX 655303 • DALLAS, TEXAS 75265

Copyright © 2005, Texas Instruments Incorporated

ONET2501PA 155-Mbps TO 2.5-Gbps LIMITING AMPLIFIER

SLLS602B – MARCH 2004 – REVISED OCTOBER 2005

block diagram

A simplified block diagram of the ONET2501PA is shown in Figure 1.

This compact, low power 2.5-Gbps limiting amplifier consists of a high-speed data path with offset cancellation block, a loss of signal and RSSI detection block, and a bandgap voltage reference and bias current generation block.

The limiting amplifier requires a single 3.3-V supply voltage. All circuit parts are described in detail below.

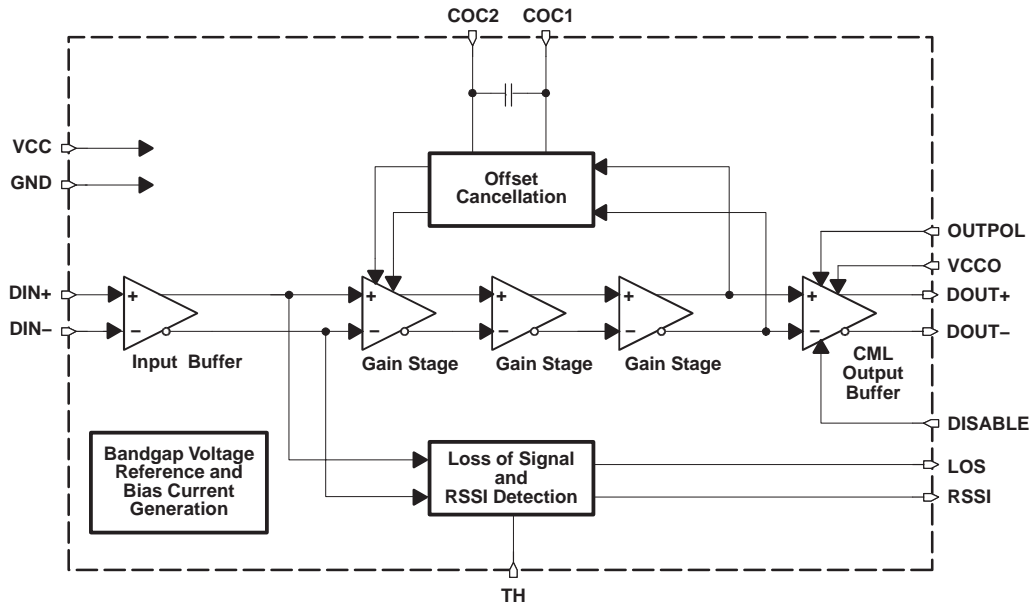


Figure 1. Block Diagram

high-speed data path

The high-speed data signal is applied to the data path by means of the input signal pins DIN+/DIN-. The data path consists of the input stage with $2 \times 50\text{-}\Omega$ on-chip line termination to VCC, three gain stages, which provide the required typical gain of about 50 dB, and a CML output stage. The amplified data output signal is available at the output pins DOUT+/DOUT-, which provide $2 \times 50\text{-}\Omega$ back-termination to VCCO. The output stage also includes a data polarity switching function, which is controlled by the OUTPOL input, and a disable function, controlled by the signal applied to the DISABLE input pin.

An offset cancellation compensates inevitable internal offset voltages and thus ensures proper operation even for small input data signals.

The low frequency cutoff is as low as 45 kHz with the built-in filter capacitor.

For applications, which require even lower cutoff frequencies, an additional external filter capacitor may be connected to the COC1/COC2 pins.

loss of signal and RSSI detection

The output signal of the input buffer is monitored by the loss of signal and RSSI detection circuitry. In this block a signal is generated, which is linearly proportional to the input amplitude over a wide input voltage range. This signal is available at the RSSI output pin.

Furthermore, this circuit block compares the input signal to a threshold, which can be programmed by means of an external resistor connected to the TH pin. If the input signal falls below the specified threshold, a loss of signal is indicated at the LOS pin.

The relationship between the LOS assert voltage V_{AST} (in mV_{p-p}) and the external resistor R_{TH} (in k Ω) connected to the TH pin can be approximated as given below:

$$R_{TH} = \frac{43 \text{ k}\Omega}{V_{AST}/\text{mV}_{p-p}} - 600 \Omega$$

$$V_{AST} = \frac{43 \text{ mV}_{p-p}}{R_{TH}/\text{k}\Omega + 0.6}$$

bandgap voltage and bias generation

The ONET2501PA limiting amplifier is supplied by a single 3.3-V $\pm 10\%$ supply voltage connected to the VCC and VCCO pins. This voltage is referred to ground (GND).

An on-chip bandgap voltage circuitry generates a supply voltage independent reference from which all other internally required voltages and bias currents are derived.

package

For the ONET2501PA a small footprint 3 mm \times 3 mm 16-pin QFN package is used, with a lead pitch of 0,5 mm. The pin out is shown in Figure 2.

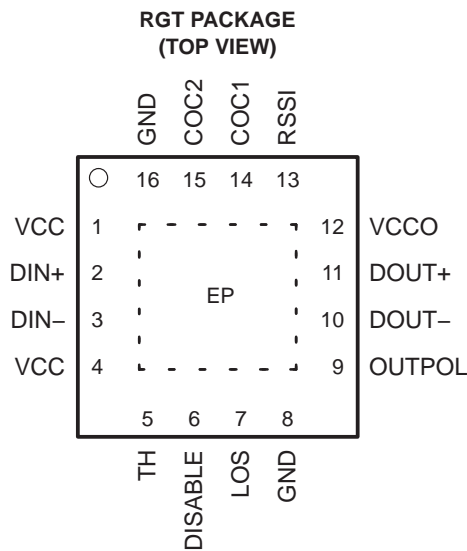


Figure 2. Pin Out of ONET2501PA in a 3 mm \times 3 mm 16-Pin QFN Package, Top View

ONET2501PA

155-Mbps TO 2.5-Gbps LIMITING AMPLIFIER

SLLS602B – MARCH 2004 – REVISED OCTOBER 2005

terminal functions

The following table shows a pin description for the ONET2501PA in a 3 mm x 3 mm 16-pin QFN package.

TERMINAL		TYPE	DESCRIPTION
NAME	NO.		
VCC	1, 4	Supply	3.3-V \pm 10% supply voltage
DIN+	2	Analog in	Noninverted data input. On-chip 50- Ω terminated to VCC.
DIN-	3	Analog in	Inverted data input. On-chip 50- Ω terminated to VCC.
TH	5	Analog in	LOS threshold adjustment with resistor to GND.
DISABLE	6	CMOS in	Disables CML output stage when set to high level.
LOS	7	CMOS out	High level indicates that the input signal amplitude is below the programmed threshold level.
GND	8, 16, EP	Supply	Circuit ground. Exposed die pad (EP) must be grounded.
OUTPOL	9	CMOS in	Output data signal polarity select (internally pulled up): Setting to high level or leaving pin open selects normal polarity. Low level selects inverted polarity.
DOUT-	10	CML out	Inverted data output. On-chip 50- Ω back-terminated to VCCO
DOUT+	11	CML out	Noninverted data output. On-chip 50- Ω back-terminated to VCCO
VCCO	12	Supply	3.3-V \pm 10% supply voltage for output stage
RSSI	13	Analog out	Analog output voltage proportional to the input data amplitude. Indicates the strength of the received signal (RSSI).
COC1	14	Analog	Offset cancellation filter capacitor terminal 1. Connect an additional filter capacitor between this pin and COC2 (pin 15). To disable the offset cancellation loop connect COC1 and COC2 (pins 14 and 15).
COC2	15	Analog	Offset cancellation filter capacitor terminal 2. Connect an additional filter capacitor between this pin and COC1 (pin 14). To disable the offset cancellation loop connect COC1 and COC2 (pins 14 and 15).

absolute maximum ratings

over operating free-air temperature range unless otherwise noted[†]

		VALUE	UNIT
VCC, VCCO	Supply voltage, See Note 1	-0.3 to 4	V
VDIN+, VDIN-	Voltage at DIN+, DIN-, See Note 1	0.5 to 4	V
VTH, DISABLE, LOS, OUTPOL, DOUT+, DOUT-, RSSI, COC1, and COC2	Voltage at TH, DISABLE, LOS, OUTPOL, DOUT+, DOUT-, RSSI, COC1, and COC2, See Note 1	-0.3 to 4	V
VCOC,DIFF	Differential voltage between COC1 and COC2	\pm 1	V
VDIN,DIFF	Differential voltage between DIN+ and DIN-	\pm 2.5	V
ILOS	Current into LOS	-1 to 9	mA
IDIN+, IDIN-, IDOUT+, IDOUT-	Continuous current at inputs and outputs	-25 to 25	mA
ESD	ESD rating at all pins	3	kV (HBM)
TJ(max)	Maximum junction temperature	125	°C
Tstg	Storage temperature range	-65 to 85	°C
TA	Characterized free-air operating temperature range	-40 to 85	°C
TL	Lead temperature 1,6 mm (1/16 inch) from case for 10 seconds	260	°C

[†] Stresses beyond those listed under “absolute maximum ratings” may cause permanent damage to the device. These are stress ratings only, and functional operation of the device at these or any other conditions beyond those indicated under “recommended operating conditions” is not implied. Exposure to absolute-maximum-rated conditions for extended periods may affect device reliability.

NOTE 1: All voltage values are with respect to network ground terminal.



ONET2501PA

155-Mbps TO 2.5-Gbps LIMITING AMPLIFIER

SLLS602B – MARCH 2004 – REVISED OCTOBER 2005

recommended operating conditions

	MIN	TYP	MAX	UNIT
Supply voltage, V_{CC} , V_{CCO}	3	3.3	3.6	V
Operating free-air temperature, T_A	-40		85	°C

dc electrical characteristics

over recommended operating conditions (unless otherwise noted)

PARAMETER	TEST CONDITIONS	MIN	TYP	MAX	UNIT
V_{CC}, V_{CCO} Supply voltage		3	3.3	3.6	V
I_{CC} Supply current	DISABLE = low (excludes CML output current)		32	40	mA
V_{OD} Differential data output voltage swing	DISABLE = high		0.25	10	mV _{p-p}
	DISABLE = low	600	780	1200	mV _{p-p}
r_{IN}, r_{OUT} Data input/output resistance	Single ended		50		Ω
RSSI output voltage	Input = 2 mV _{p-p} , $R_{RSSI} \geq 10 \text{ k}\Omega$		100		mV
	Input = 80 mV _{p-p} , $R_{RSSI} \geq 10 \text{ k}\Omega$		2800		
RSSI linearity	20-dB input signal, $V_{IN} \leq 80 \text{ mVpp}$		$\pm 3\%$	$\pm 8\%$	
$V_{(IN_MIN)}$ Data input sensitivity	BER < 10^{-10}		3	5	mV _{p-p}
$V_{(IN_MAX)}$ Data input overload		1200			mV _{p-p}
CMOS input high voltage		2.1			V
CMOS input low voltage				0.6	V
LOS high voltage	$I_{SINK} = -30 \mu\text{A}$	2.4			V
LOS low voltage	$I_{SOURCE} = 1 \text{ mA}$			0.8	V
LOS hysteresis	$2^{23}-1$ PRBS (at 2.5 Gbps and 155 Mbps)	2.5	4.5		dB
V_{AST} LOS assert threshold range	$2^{23}-1$ PRBS (at 2.5 Gbps and 155 Mbps)		5-40		mV _{p-p}
PSNR Power supply noise rejection	$f < 2 \text{ MHz}$	26			dB

ac electrical characteristics

over recommended operating conditions (unless otherwise noted) typical operating condition is at $V_{CC} = 3.3 \text{ V}$ and $T_A = 25^\circ\text{C}$

PARAMETER	TEST CONDITIONS	MIN	TYP	MAX	UNIT
Low frequency -3-dB bandwidth	$C_{OC} = \text{open}$		45	70	kHz
	$C_{OC} = 100 \text{ nF}$		0.8		
Data rate		2.5			Gb/s
V_{NI} Input referred noise				300	μVRMS
DJ Deterministic jitter, See Note 2	K28.5 pattern at 2.5 Gbps		8.5	25	ps _{p-p}
	$2^{23}-1$ PRBS equivalent pattern at 2.5 Gbps		9.3	30	
	$2^{23}-1$ PRBS equivalent pattern at 155 Mbps		25	50	
RJ Random jitter	Input = 5 mVpp		6.5		ps _{RMS}
	Input = 10 mVpp		3		
t_r Output rise time	20% to 80%		60	85	ps
t_f Output fall time	20% to 80%		60	85	ps
t_{DIS} Disable response time			20		ns
t_{LOS} LOS assert/deassert time		2		100	μs

NOTE 2: Deterministic jitter does not include pulse-width distortion due to residual small output offset voltage.



ONET2501PA
155-Mbps TO 2.5-Gbps LIMITING AMPLIFIER

SLLS602B – MARCH 2004 – REVISED OCTOBER 2005

APPLICATION INFORMATION

Figure 3 shows the ONET2501PA connected with an ac-coupled interface to the data signal source as well as to the output load.

Besides the ac-coupling capacitors C_1 through C_4 in the input and output data signal lines, the only required external component is the LOS threshold setting resistor R_{TH} . In addition, an optional external filter capacitor (C_{OC}) may be used if a lower cutoff frequency is desired.

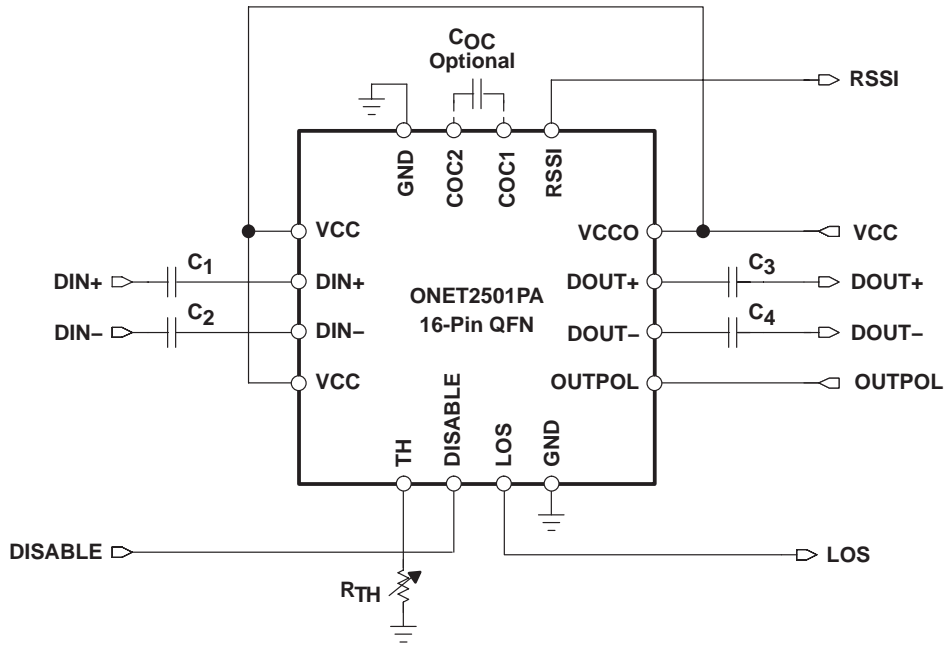


Figure 3. Basic Application Circuit With AC-Coupled I/Os

TYPICAL CHARACTERISTICS

Typical operating condition is at $V_{CC} = V_{CCO} = 3.3\text{ V}$ and $T_A = 25^\circ\text{C}$, unless otherwise noted

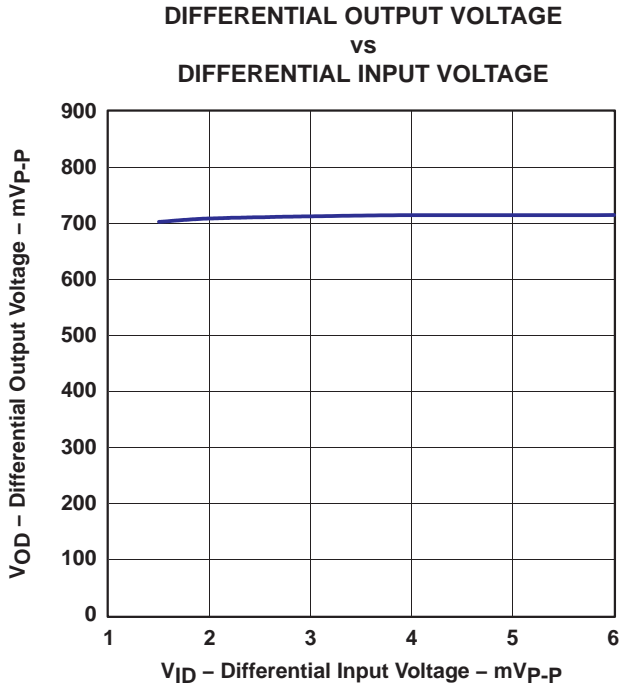


Figure 4

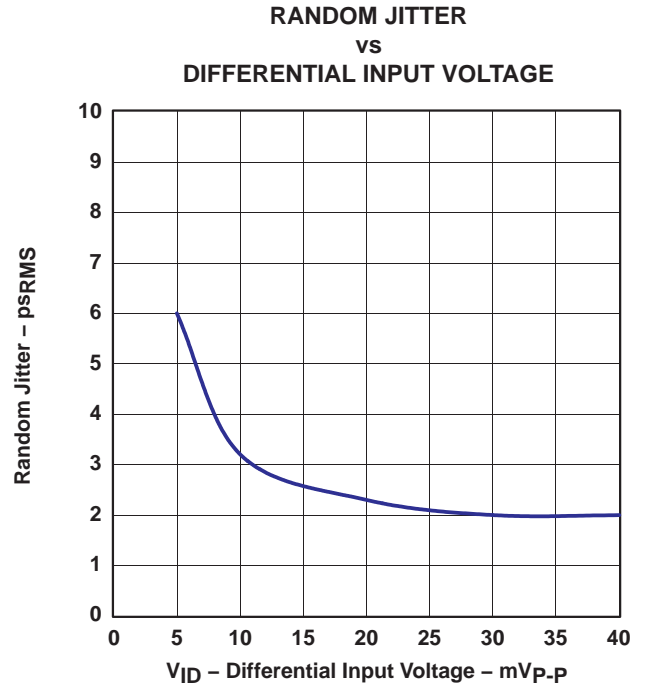


Figure 5

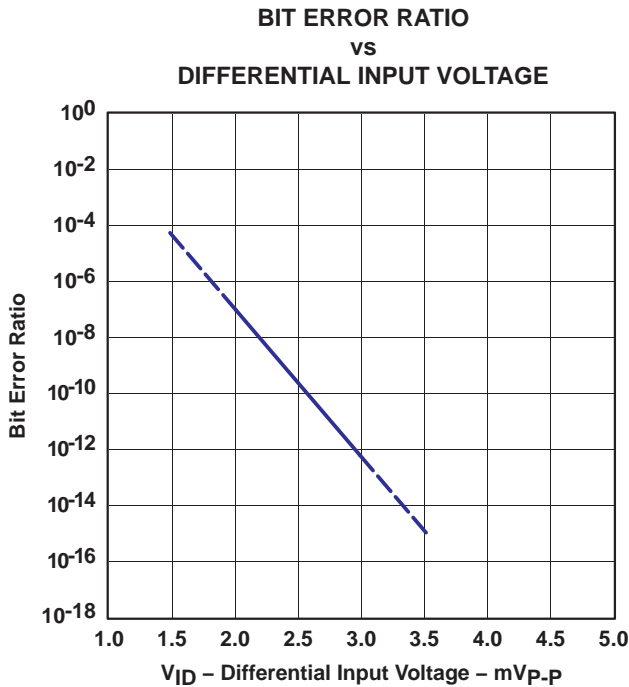


Figure 6

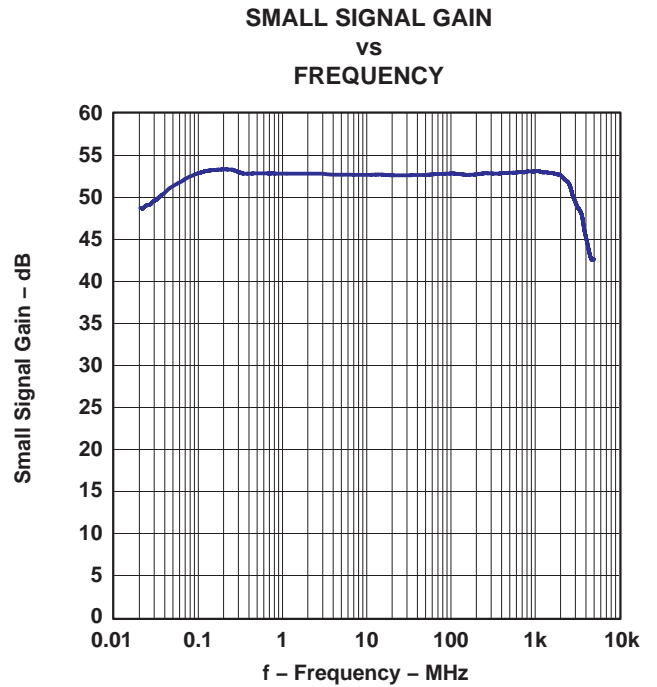
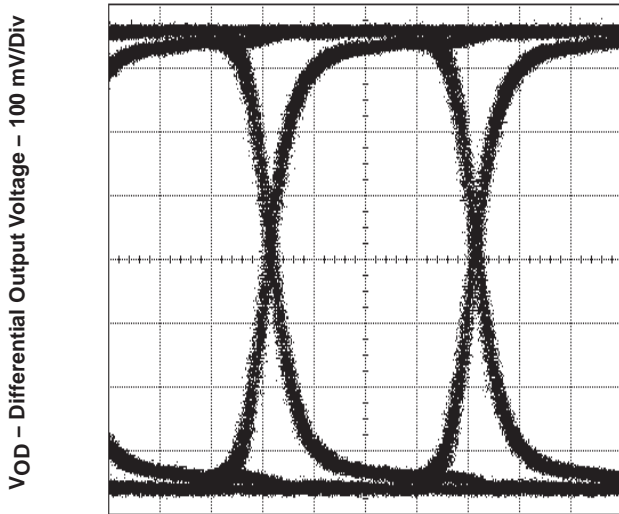


Figure 7

TYPICAL CHARACTERISTICS

Typical operating condition is at $V_{CC} = V_{CCO} = 3.3\text{ V}$ and $T_A = 25^\circ\text{C}$, unless otherwise noted

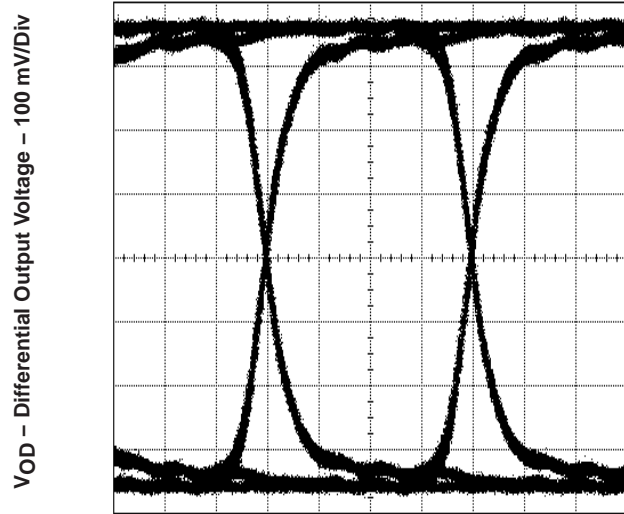
**OUTPUT EYE-DIAGRAM at 2.5 GBPS
 and MINIMUM INPUT VOLTAGE (5 mV_{pp})**



t - Time - 100 ps/Div

Figure 8

**OUTPUT EYE-DIAGRAM at 2.5 GBPS
 and MAXIMUM INPUT VOLTAGE (1200 mV_{pp})**



t - Time - 100 ps/Div

Figure 9

**LOS ASSERT/DEASSERT VOLTAGE
 VS
 THRESHOLD VOLTAGE SETTING RESISTANCE**

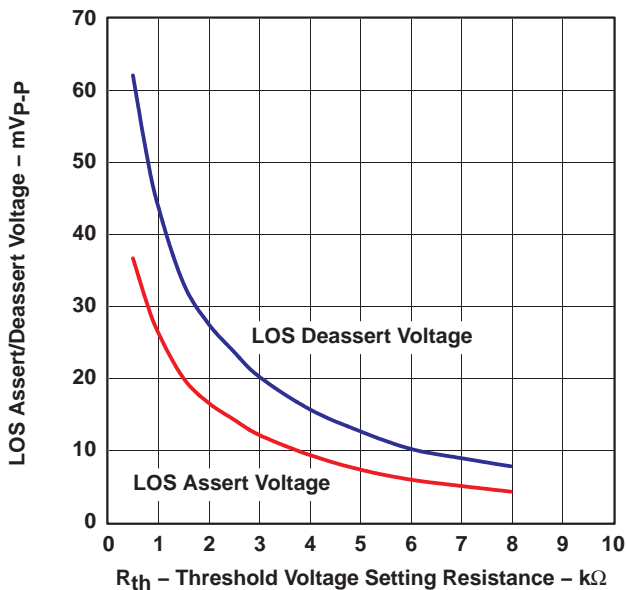


Figure 10

**DIFFERENTIAL INPUT RETURN GAIN
 VS
 FREQUENCY**

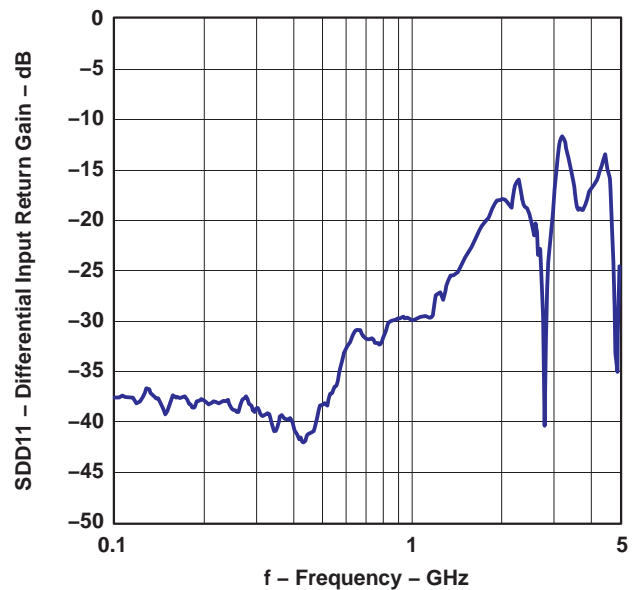


Figure 11

TYPICAL CHARACTERISTICS

Typical operating condition is at $V_{CC} = V_{CCO} = 3.3\text{ V}$ and $T_A = 25^\circ\text{C}$, unless otherwise noted

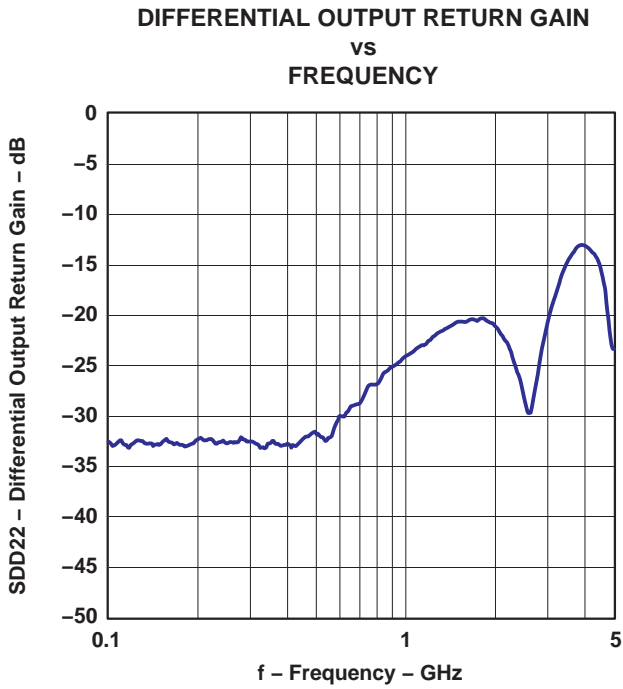


Figure 12

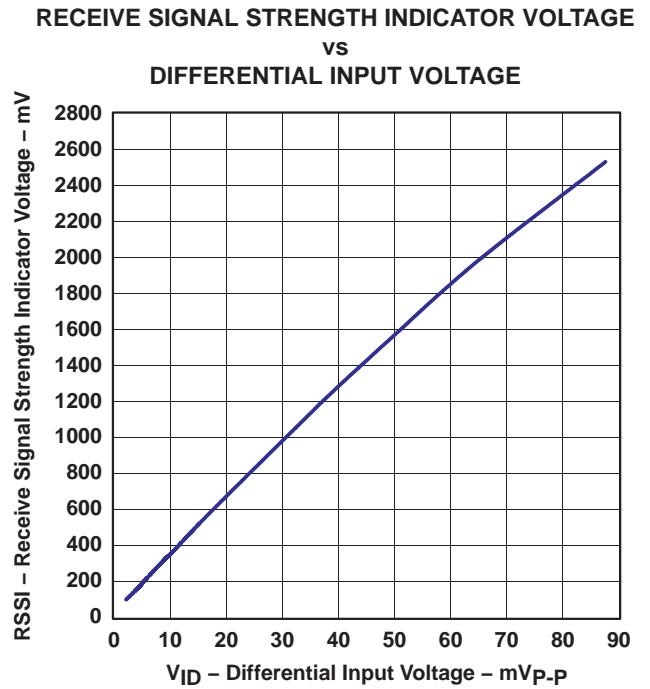


Figure 13

PACKAGING INFORMATION

Orderable Device	Status ⁽¹⁾	Package Type	Package Drawing	Pins	Package Qty	Eco Plan ⁽²⁾	Lead/Ball Finish	MSL Peak Temp ⁽³⁾
ONET2501PARGTR	NRND	QFN	RGT	16	3000	Green (RoHS & no Sb/Br)	CU NIPDAU	Level-2-260C-1 YEAR
ONET2501PARGTRG4	NRND	QFN	RGT	16	3000	Green (RoHS & no Sb/Br)	CU NIPDAU	Level-2-260C-1 YEAR
ONET2501PARGTT	NRND	QFN	RGT	16	250	Green (RoHS & no Sb/Br)	CU NIPDAU	Level-2-260C-1 YEAR
ONET2501PARGTTG4	NRND	QFN	RGT	16	250	Green (RoHS & no Sb/Br)	CU NIPDAU	Level-2-260C-1 YEAR

⁽¹⁾ The marketing status values are defined as follows:

ACTIVE: Product device recommended for new designs.

LIFEBUY: TI has announced that the device will be discontinued, and a lifetime-buy period is in effect.

NRND: Not recommended for new designs. Device is in production to support existing customers, but TI does not recommend using this part in a new design.

PREVIEW: Device has been announced but is not in production. Samples may or may not be available.

OBSOLETE: TI has discontinued the production of the device.

⁽²⁾ Eco Plan - The planned eco-friendly classification: Pb-Free (RoHS), Pb-Free (RoHS Exempt), or Green (RoHS & no Sb/Br) - please check <http://www.ti.com/productcontent> for the latest availability information and additional product content details.

TBD: The Pb-Free/Green conversion plan has not been defined.

Pb-Free (RoHS): TI's terms "Lead-Free" or "Pb-Free" mean semiconductor products that are compatible with the current RoHS requirements for all 6 substances, including the requirement that lead not exceed 0.1% by weight in homogeneous materials. Where designed to be soldered at high temperatures, TI Pb-Free products are suitable for use in specified lead-free processes.

Pb-Free (RoHS Exempt): This component has a RoHS exemption for either 1) lead-based flip-chip solder bumps used between the die and package, or 2) lead-based die adhesive used between the die and leadframe. The component is otherwise considered Pb-Free (RoHS compatible) as defined above.

Green (RoHS & no Sb/Br): TI defines "Green" to mean Pb-Free (RoHS compatible), and free of Bromine (Br) and Antimony (Sb) based flame retardants (Br or Sb do not exceed 0.1% by weight in homogeneous material)

⁽³⁾ MSL, Peak Temp. -- The Moisture Sensitivity Level rating according to the JEDEC industry standard classifications, and peak solder temperature.

Important Information and Disclaimer:The information provided on this page represents TI's knowledge and belief as of the date that it is provided. TI bases its knowledge and belief on information provided by third parties, and makes no representation or warranty as to the accuracy of such information. Efforts are underway to better integrate information from third parties. TI has taken and continues to take reasonable steps to provide representative and accurate information but may not have conducted destructive testing or chemical analysis on incoming materials and chemicals. TI and TI suppliers consider certain information to be proprietary, and thus CAS numbers and other limited information may not be available for release.

In no event shall TI's liability arising out of such information exceed the total purchase price of the TI part(s) at issue in this document sold by TI to Customer on an annual basis.

TAPE AND REEL INFORMATION



QUADRANT ASSIGNMENTS FOR PIN 1 ORIENTATION IN TAPE



*All dimensions are nominal

Device	Package Type	Package Drawing	Pins	SPQ	Reel Diameter (mm)	Reel Width W1 (mm)	A0 (mm)	B0 (mm)	K0 (mm)	P1 (mm)	W (mm)	Pin1 Quadrant
ONET2501PARGTR	QFN	RGT	16	3000	330.0	12.4	3.3	3.3	1.1	8.0	12.0	Q2
ONET2501PARGTT	QFN	RGT	16	250	330.0	12.4	3.3	3.3	1.1	8.0	12.0	Q2

TAPE AND REEL BOX DIMENSIONS

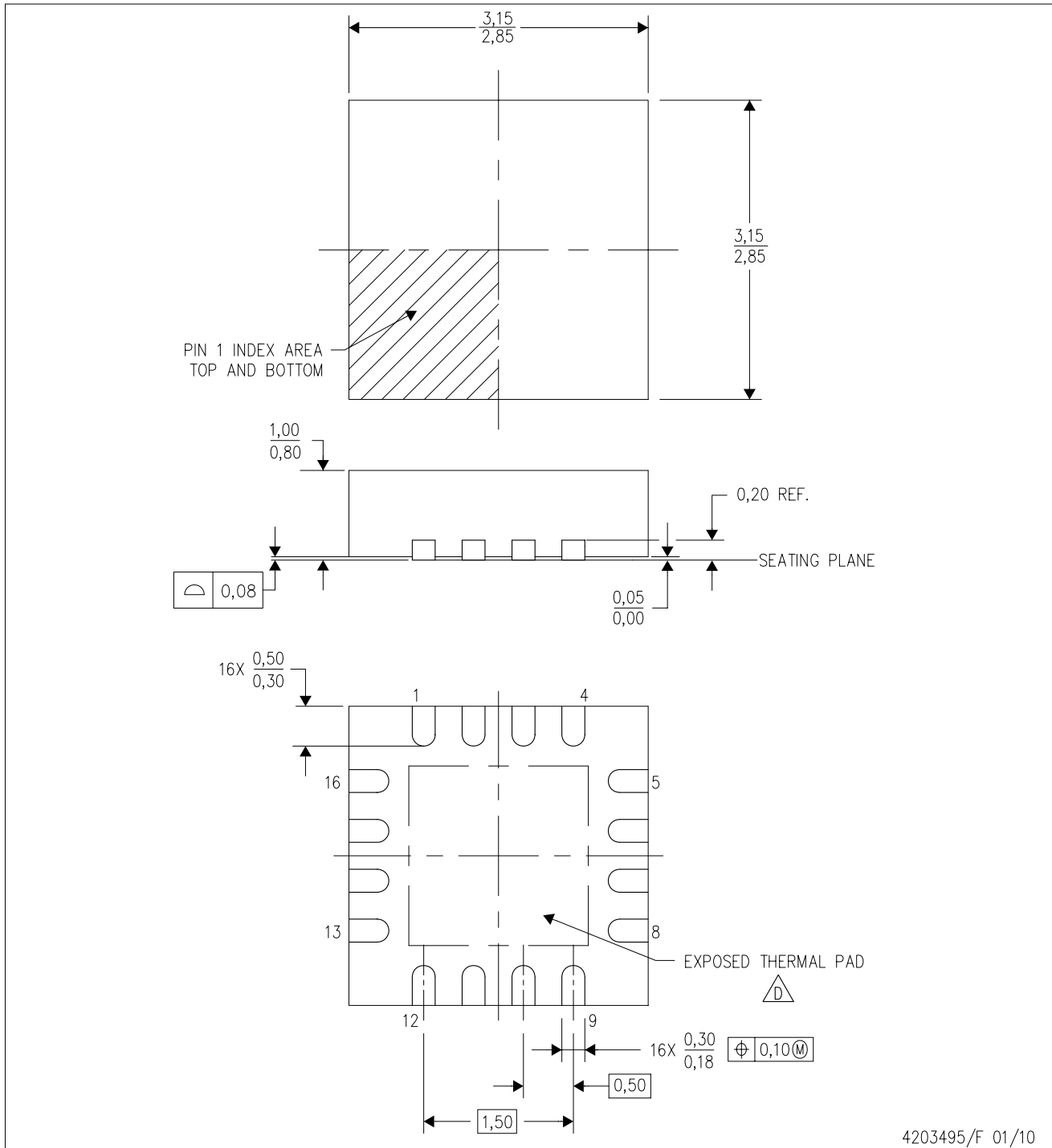


*All dimensions are nominal


Device	Package Type	Package Drawing	Pins	SPQ	Length (mm)	Width (mm)	Height (mm)
ONET2501PARGTR	QFN	RGT	16	3000	340.5	333.0	20.6
ONET2501PARGTT	QFN	RGT	16	250	340.5	333.0	20.6

RGT (S-PVQFN-N16)

PLASTIC QUAD FLATPACK NO-LEAD



4203495/F 01/10

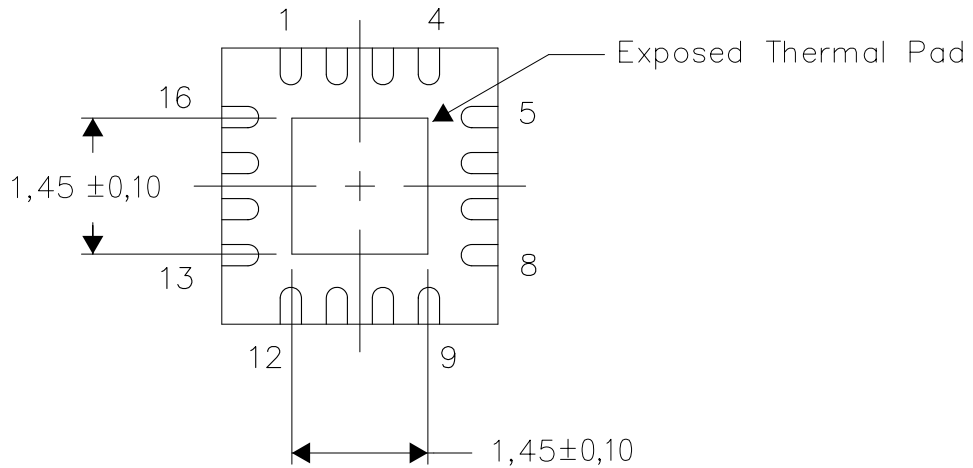
- NOTES:
- A. All linear dimensions are in millimeters. Dimensioning and tolerancing per ASME Y14.5M-1994.
 - B. This drawing is subject to change without notice.
 - C. Quad Flatpack, No-leads (QFN) package configuration.
 -  D. The package thermal pad must be soldered to the board for thermal and mechanical performance. See the Product Data Sheet for details regarding the exposed thermal pad dimensions.
 - E. Falls within JEDEC MO-220.

THERMAL INFORMATION

This package incorporates an exposed thermal pad that is designed to be attached directly to an external heatsink. The thermal pad must be soldered directly to the printed circuit board (PCB). After soldering, the PCB can be used as a heatsink. In addition, through the use of thermal vias, the thermal pad can be attached directly to the appropriate copper plane shown in the electrical schematic for the device, or alternatively, can be attached to a special heatsink structure designed into the PCB. This design optimizes the heat transfer from the integrated circuit (IC).

For information on the Quad Flatpack No-Lead (QFN) package and its advantages, refer to Application Report, Quad Flatpack No-Lead Logic Packages, Texas Instruments Literature No. SCBA017. This document is available at www.ti.com.

The exposed thermal pad dimensions for this package are shown in the following illustration.

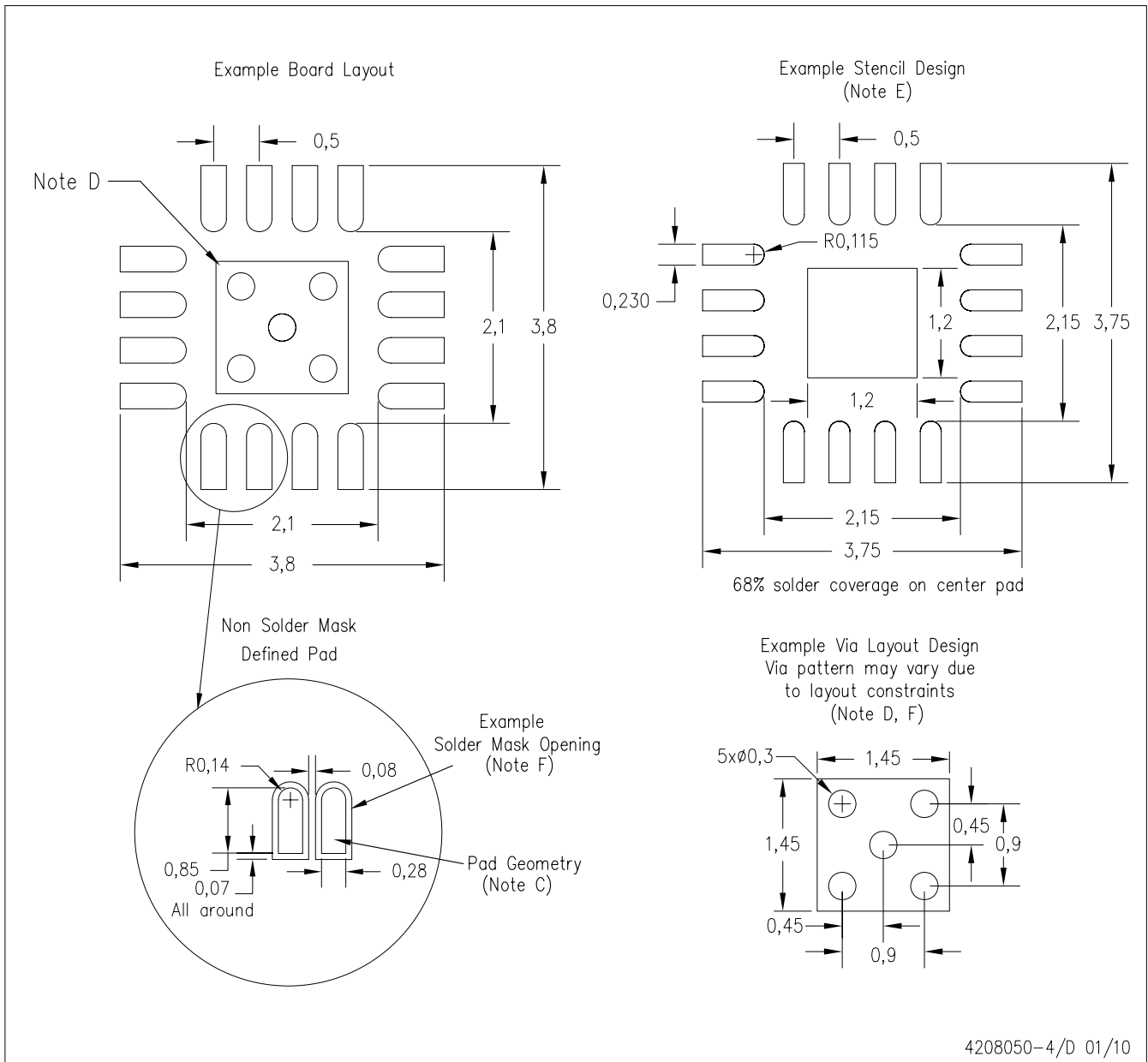


Bottom View

NOTE: All linear dimensions are in millimeters

Exposed Thermal Pad Dimensions

RGT (S-PVQFN-N16)



- NOTES:
- A. All linear dimensions are in millimeters.
 - B. This drawing is subject to change without notice.
 - C. Publication IPC-7351 is recommended for alternate designs.
 - D. This package is designed to be soldered to a thermal pad on the board. Refer to Application Note, QFN/SON PCB Attachment, Texas Instruments Literature No. SLUA271, and also the Product Data Sheets for specific thermal information, via requirements, and recommended board layout. These documents are available at www.ti.com <<http://www.ti.com>>.
 - E. Laser cutting apertures with trapezoidal walls and also rounding corners will offer better paste release. Customers should contact their board assembly site for stencil design recommendations. Refer to IPC 7525 for stencil design considerations.
 - F. Customers should contact their board fabrication site for minimum solder mask web tolerances between signal pads.

IMPORTANT NOTICE

Texas Instruments Incorporated and its subsidiaries (TI) reserve the right to make corrections, modifications, enhancements, improvements, and other changes to its products and services at any time and to discontinue any product or service without notice. Customers should obtain the latest relevant information before placing orders and should verify that such information is current and complete. All products are sold subject to TI's terms and conditions of sale supplied at the time of order acknowledgment.

TI warrants performance of its hardware products to the specifications applicable at the time of sale in accordance with TI's standard warranty. Testing and other quality control techniques are used to the extent TI deems necessary to support this warranty. Except where mandated by government requirements, testing of all parameters of each product is not necessarily performed.

TI assumes no liability for applications assistance or customer product design. Customers are responsible for their products and applications using TI components. To minimize the risks associated with customer products and applications, customers should provide adequate design and operating safeguards.

TI does not warrant or represent that any license, either express or implied, is granted under any TI patent right, copyright, mask work right, or other TI intellectual property right relating to any combination, machine, or process in which TI products or services are used. Information published by TI regarding third-party products or services does not constitute a license from TI to use such products or services or a warranty or endorsement thereof. Use of such information may require a license from a third party under the patents or other intellectual property of the third party, or a license from TI under the patents or other intellectual property of TI.

Reproduction of TI information in TI data books or data sheets is permissible only if reproduction is without alteration and is accompanied by all associated warranties, conditions, limitations, and notices. Reproduction of this information with alteration is an unfair and deceptive business practice. TI is not responsible or liable for such altered documentation. Information of third parties may be subject to additional restrictions.

Resale of TI products or services with statements different from or beyond the parameters stated by TI for that product or service voids all express and any implied warranties for the associated TI product or service and is an unfair and deceptive business practice. TI is not responsible or liable for any such statements.

TI products are not authorized for use in safety-critical applications (such as life support) where a failure of the TI product would reasonably be expected to cause severe personal injury or death, unless officers of the parties have executed an agreement specifically governing such use. Buyers represent that they have all necessary expertise in the safety and regulatory ramifications of their applications, and acknowledge and agree that they are solely responsible for all legal, regulatory and safety-related requirements concerning their products and any use of TI products in such safety-critical applications, notwithstanding any applications-related information or support that may be provided by TI. Further, Buyers must fully indemnify TI and its representatives against any damages arising out of the use of TI products in such safety-critical applications.

TI products are neither designed nor intended for use in military/aerospace applications or environments unless the TI products are specifically designated by TI as military-grade or "enhanced plastic." Only products designated by TI as military-grade meet military specifications. Buyers acknowledge and agree that any such use of TI products which TI has not designated as military-grade is solely at the Buyer's risk, and that they are solely responsible for compliance with all legal and regulatory requirements in connection with such use.

TI products are neither designed nor intended for use in automotive applications or environments unless the specific TI products are designated by TI as compliant with ISO/TS 16949 requirements. Buyers acknowledge and agree that, if they use any non-designated products in automotive applications, TI will not be responsible for any failure to meet such requirements.

Following are URLs where you can obtain information on other Texas Instruments products and application solutions:

Products		Applications	
Amplifiers	amplifier.ti.com	Audio	www.ti.com/audio
Data Converters	dataconverter.ti.com	Automotive	www.ti.com/automotive
DLP® Products	www.dlp.com	Communications and Telecom	www.ti.com/communications
DSP	dsp.ti.com	Computers and Peripherals	www.ti.com/computers
Clocks and Timers	www.ti.com/clocks	Consumer Electronics	www.ti.com/consumer-apps
Interface	interface.ti.com	Energy	www.ti.com/energy
Logic	logic.ti.com	Industrial	www.ti.com/industrial
Power Mgmt	power.ti.com	Medical	www.ti.com/medical
Microcontrollers	microcontroller.ti.com	Security	www.ti.com/security
RFID	www.ti-rfid.com	Space, Avionics & Defense	www.ti.com/space-avionics-defense
RF/IF and ZigBee® Solutions	www.ti.com/lprf	Video and Imaging	www.ti.com/video
		Wireless	www.ti.com/wireless-apps

Mailing Address: Texas Instruments, Post Office Box 655303, Dallas, Texas 75265
Copyright © 2010, Texas Instruments Incorporated